



US00D446012S

(12) **United States Design Patent**  
**Ashiwa et al.**

(10) **Patent No.:** **US D446,012 S**

(45) **Date of Patent:** **\*\* Aug. 7, 2001**

(54) **CONTAINER**

(75) Inventors: **Akiko Ashiwa**, Iwaya-Kita-machi;  
**Masumi Yoshida**, Nishinomiya, both of  
(JP)

(73) Assignee: **The Procter & Gamble Company**,  
Cincinnati, OH (US)

(\*\*) Term: **14 Years**

(21) Appl. No.: **29/124,458**

(22) Filed: **Jun. 6, 2000**

(51) **LOC (7) Cl.** ..... **03-01**

(52) **U.S. Cl.** ..... **D3/273; D3/302; D9/423**

(58) **Field of Search** ..... **D3/272, 273, 302;**  
**D9/420, 423, 424, 425; 206/508, 823, 826;**  
**220/832**

(56) **References Cited**

**U.S. PATENT DOCUMENTS**

- D. 311,334 \* 10/1990 Flynn et al. .... D9/424
- D. 374,774 \* 10/1996 Cassel ..... D3/273
- D. 390,265 \* 2/1998 Cheris et al. .... D3/273

- D. 394,280 \* 5/1998 Cheris et al. .... D3/273
- D. 395,952 \* 7/1998 Buczwinski et al. .... D3/294
- D. 421,901 \* 3/2000 Hill ..... D9/424

\* cited by examiner

*Primary Examiner*—Philip S. Hyder

(74) *Attorney, Agent, or Firm*—Leonard W. Lewis; Jack L. Oney, Jr.

(57) **CLAIM**

The ornamental design for a container, as shown and described.

**DESCRIPTION**

FIG. 1 is a perspective view of a container, embodying the new design;

FIG. 2 is a front elevational view of the container of FIG. 1;

FIG. 3 is a back elevational view of the container of FIG. 1;

FIG. 4 is a right elevational view of the container of FIG. 1;

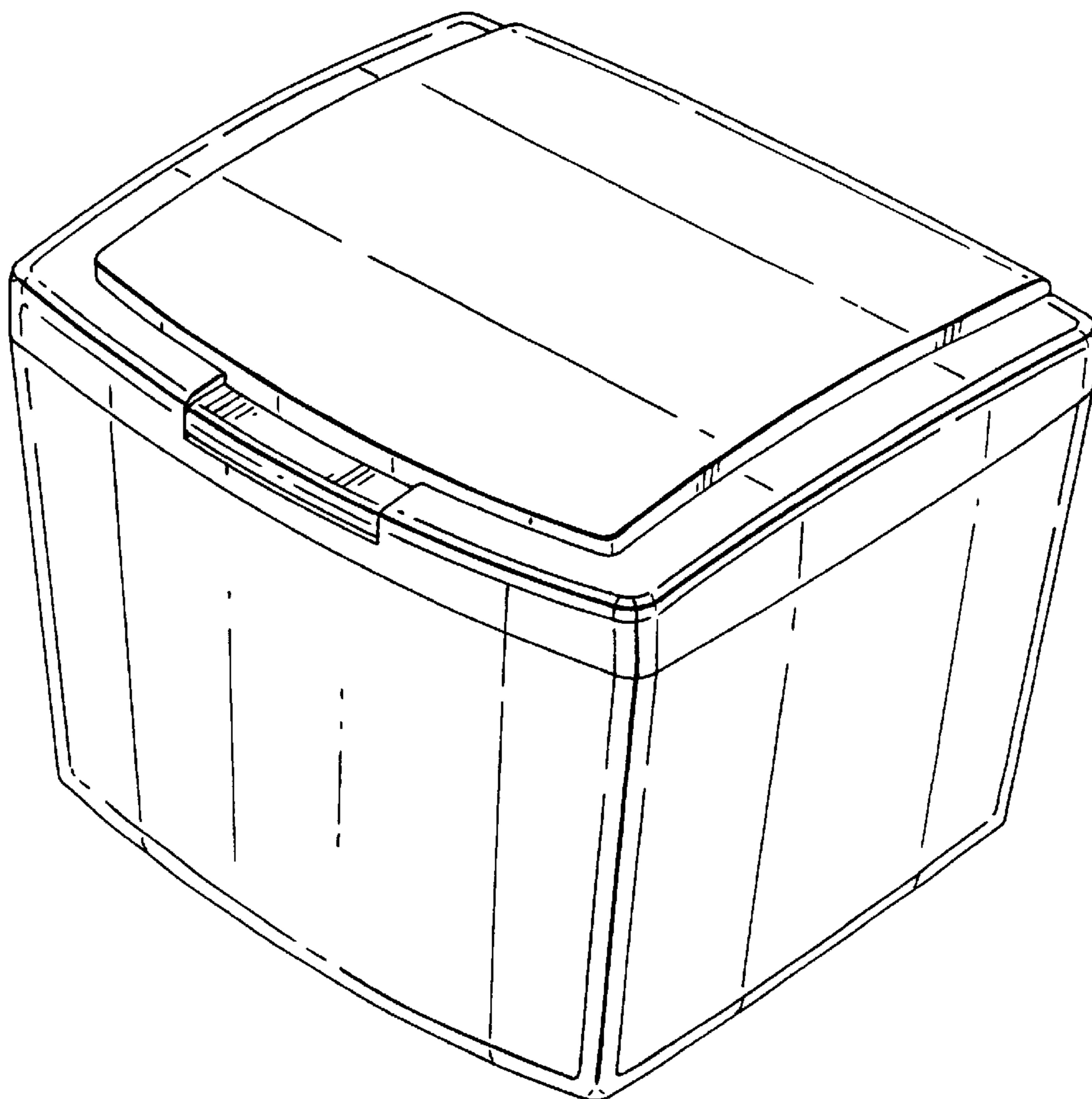
FIG. 5 is a left elevational view of the container of FIG. 1;

and,

FIG. 6 is a top plan view of the container of FIG. 1.

The bottom of the design has no ornamental features.

**1 Claim, 4 Drawing Sheets**



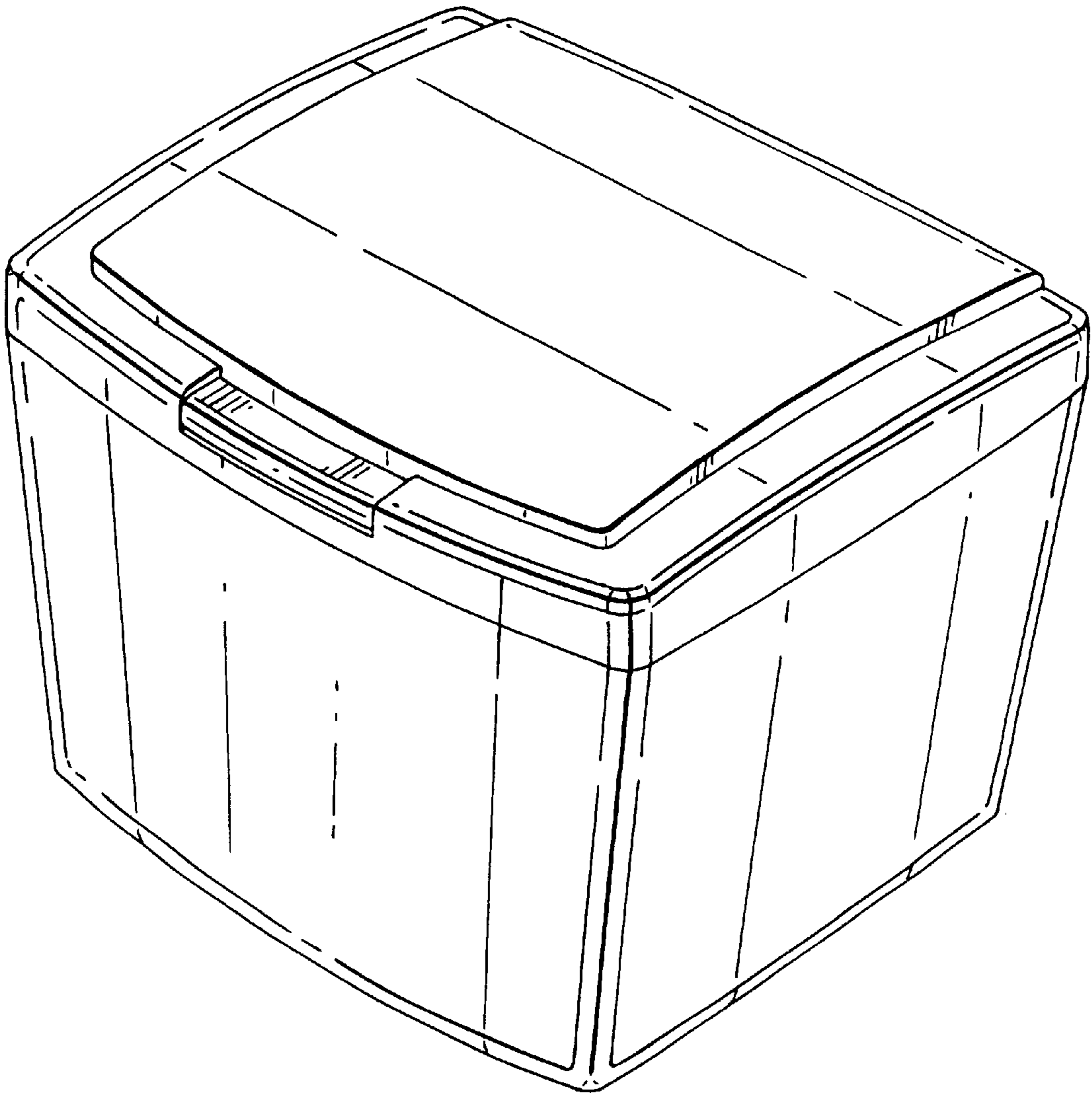


Fig. 1.

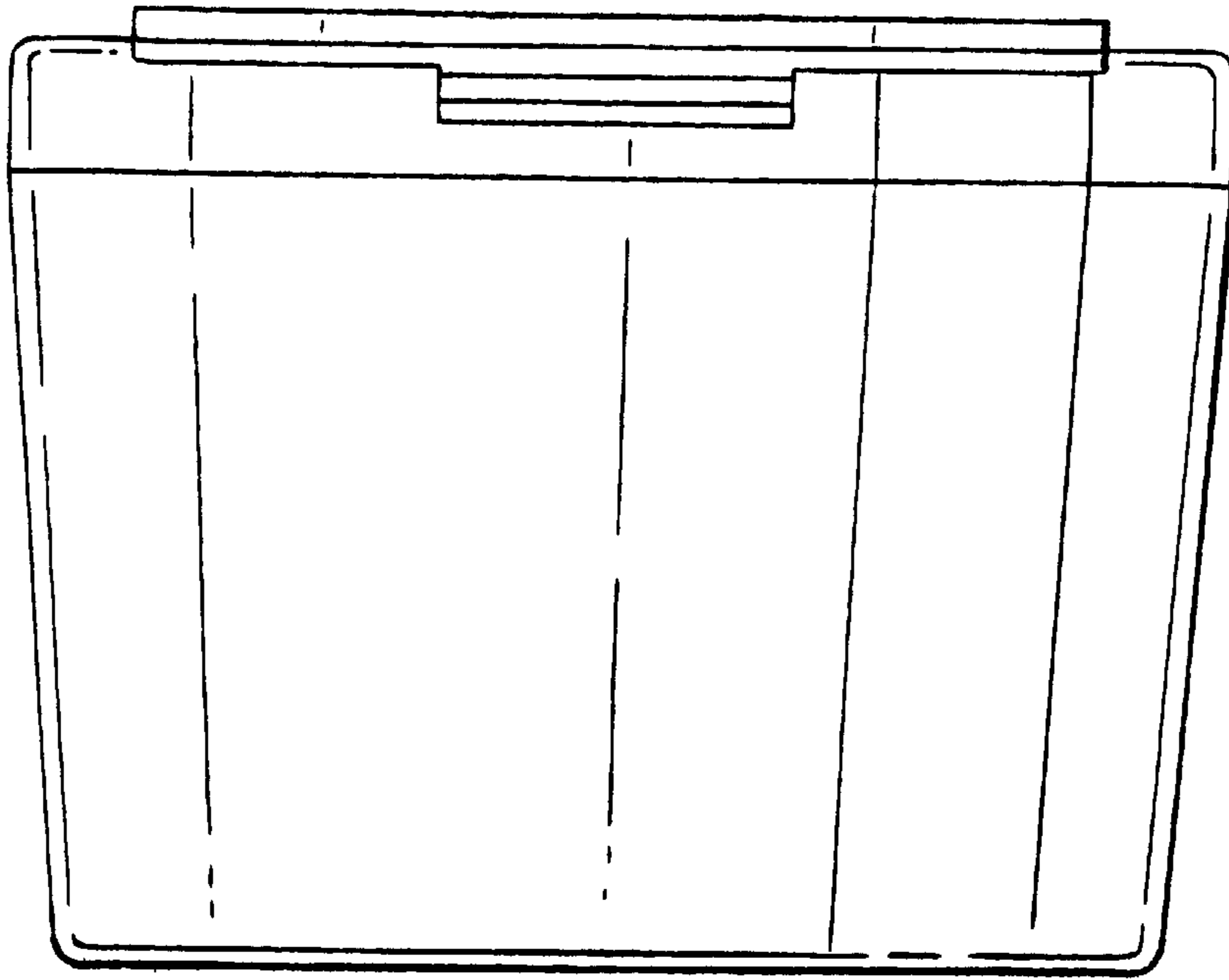


Fig.2.

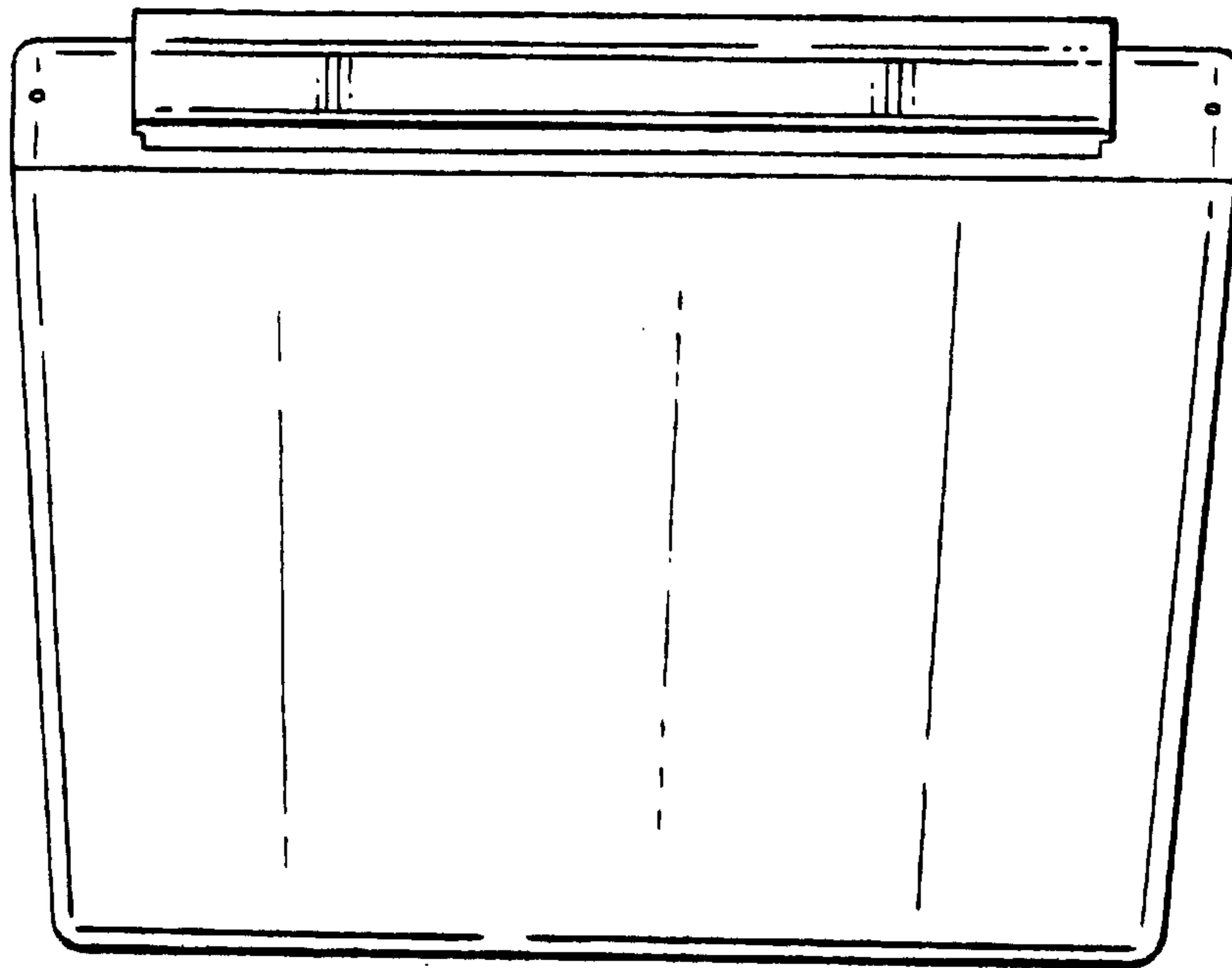


Fig.3.

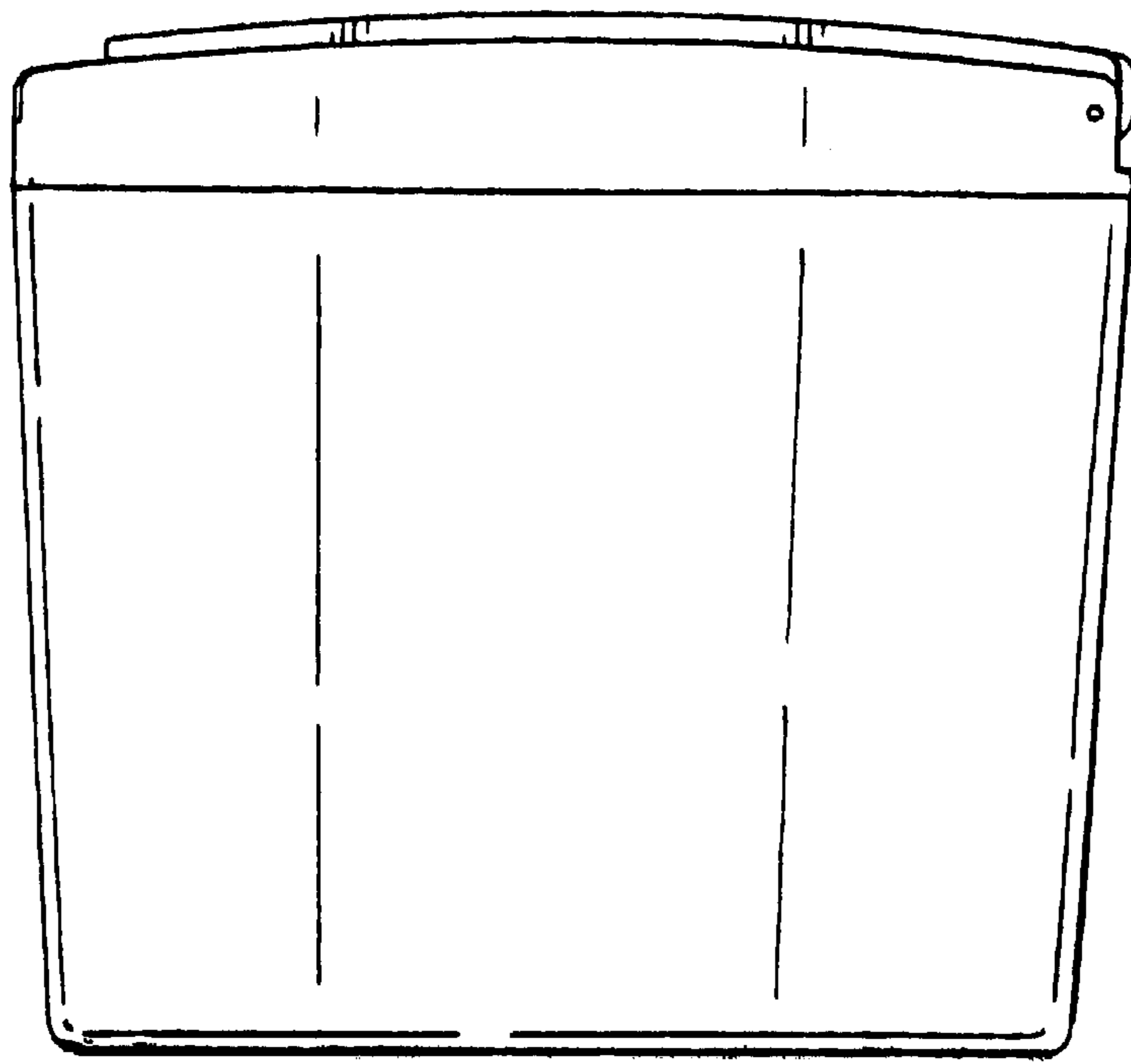


Fig.4.

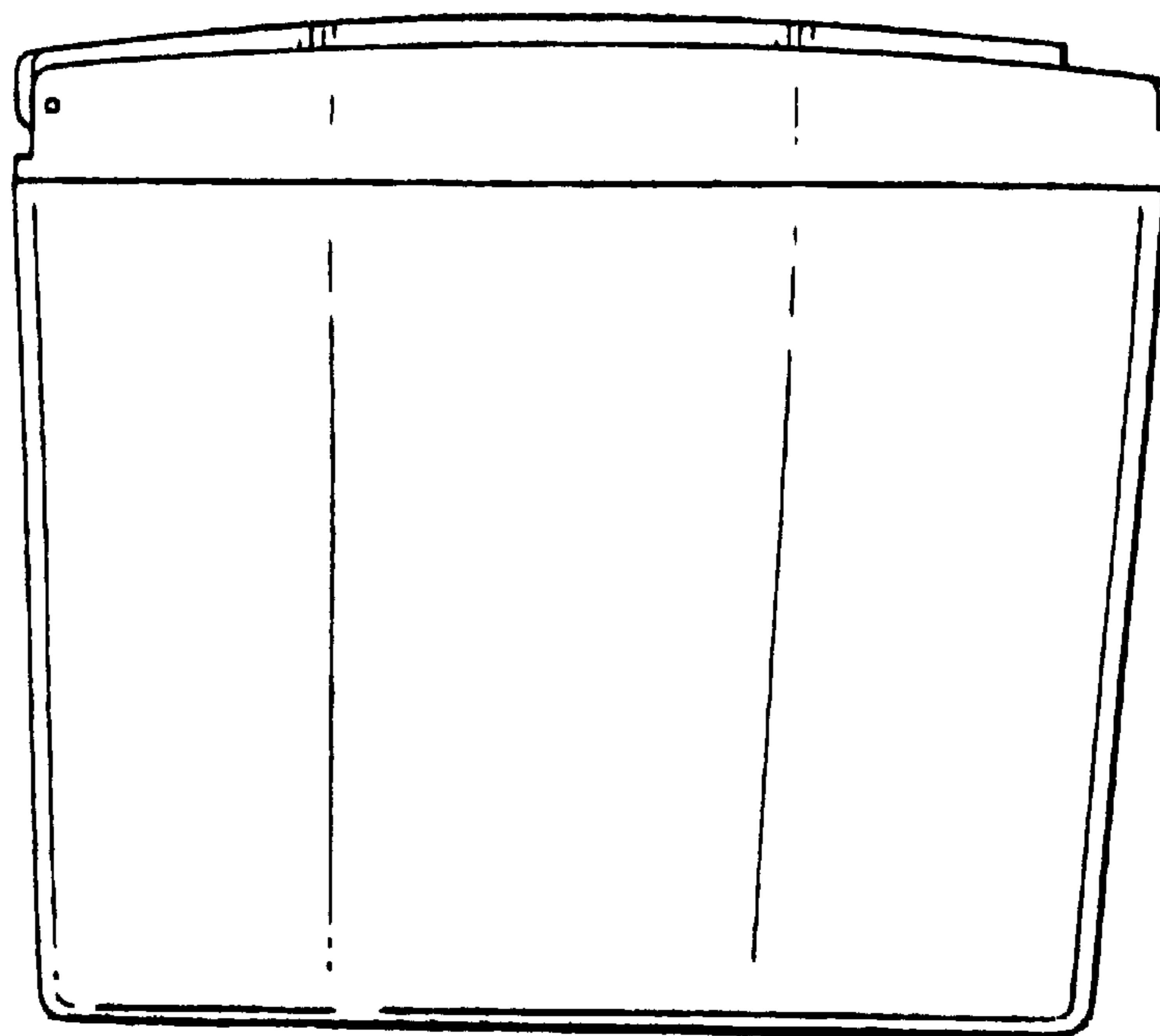


Fig.5.

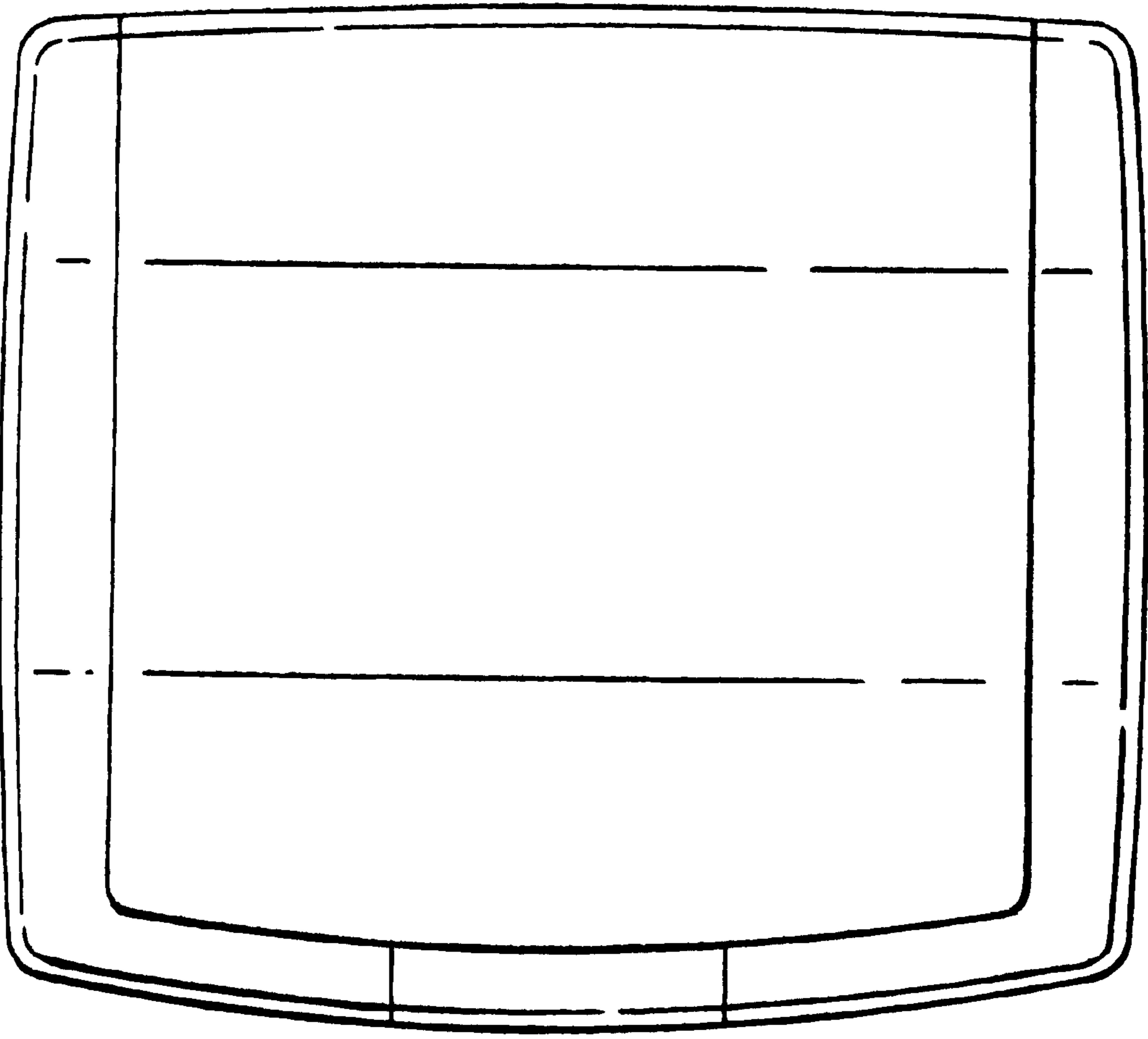


Fig.6.