



US00D446009S

(12) **United States Design Patent**  
**Mandell**

(10) **Patent No.:** **US D446,009 S**

(45) **Date of Patent:** **\*\* Aug. 7, 2001**

(54) **LINEN-CONTAINING BACKPACK**

(75) Inventor: **Neil Mandell**, Metuchen, NJ (US)

(73) Assignee: **Franco Manufacturing Company**,  
Metuchen, NJ (US)

(\*\*) Term: **14 Years**

(21) Appl. No.: **29/122,805**

(22) Filed: **May 4, 2000**

(51) **LOC (7) Cl.** ..... **03-01**

(52) **U.S. Cl.** ..... **D3/217; D3/216**

(58) **Field of Search** ..... **D3/216-217; 224/153,**  
**224/579, 578, 636, 653**

5,649,658	*	7/1997	Hoffman et al. ....	224/576
5,704,528	*	1/1998	Faure .....	224/583
5,819,998	*	10/1998	Chehebar .....	224/153
5,819,999	*	10/1998	Tennant .....	224/155
5,984,154	*	11/1999	Scicluna .....	224/153
6,112,959	*	9/2000	Townsend .....	224/153

\* cited by examiner

*Primary Examiner*—Celia Murphy

(74) *Attorney, Agent, or Firm*—Amster, Rothstein & Ebenstein

(57) **CLAIM**

The ornamental design for linen-containing backpack, as shown and described.

**DESCRIPTION**

FIG. 1 is an isometric view from the front, top and one side of a linen-containing backpack showing my new design in a closed orientation;

FIG. 2 is a rear elevational view thereof;

FIG. 3 is a right side elevational view thereof;

FIG. 4 is a bottom plan view thereof; and,

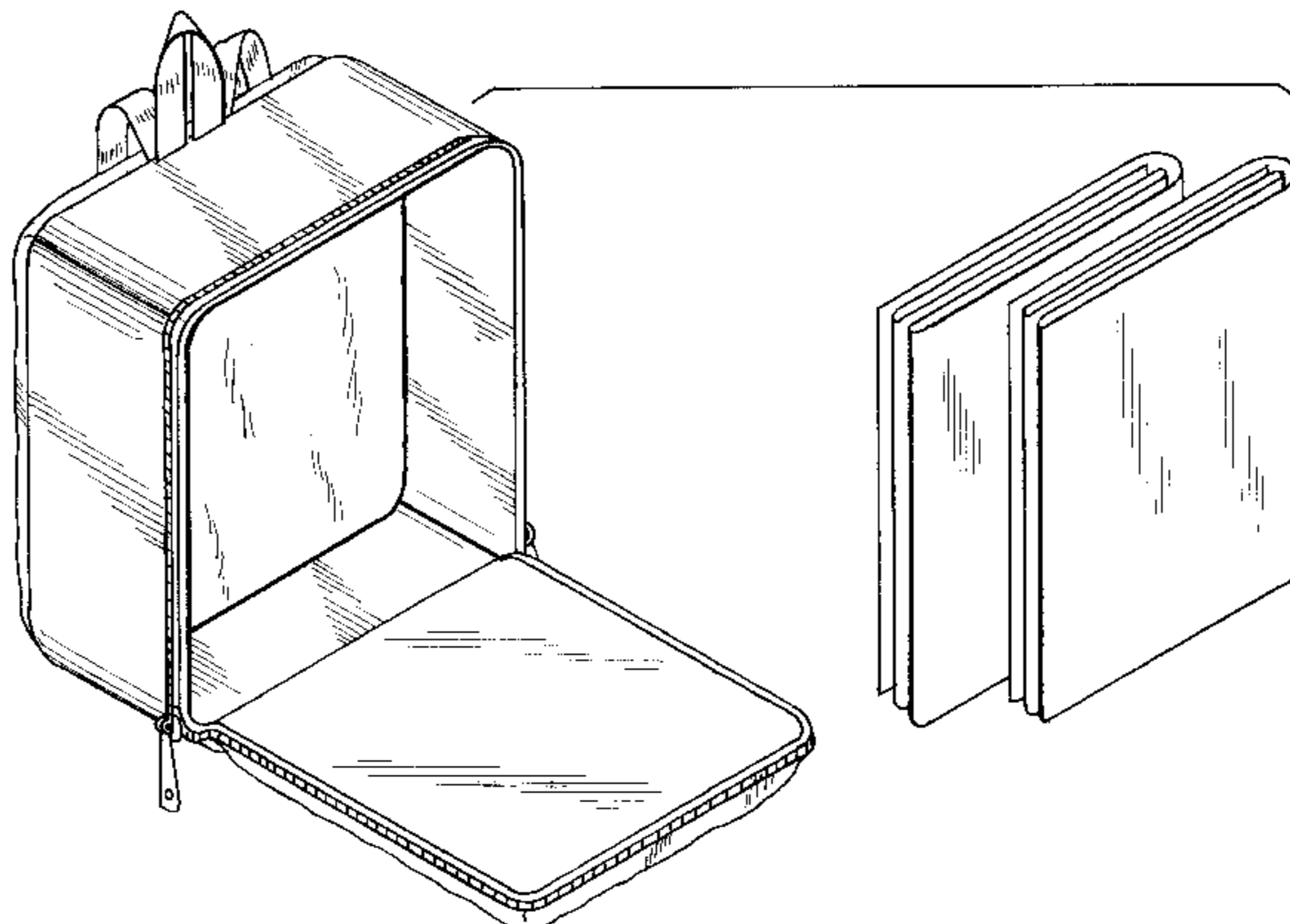
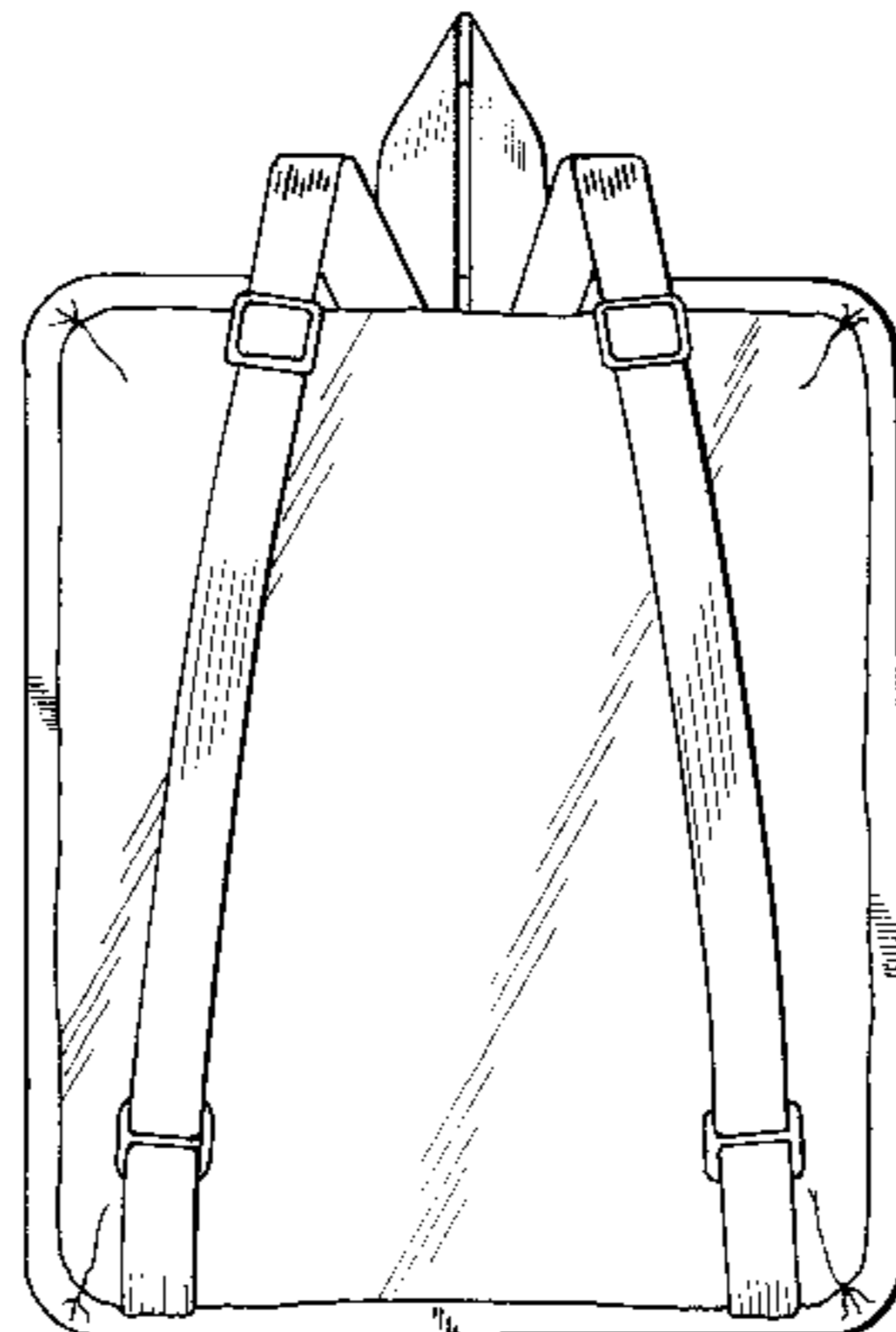
FIG. 5 is a partially exploded isometric view similar to FIG. 1, but in an open orientation with some of the linen removed from the backpack.

(56) **References Cited**

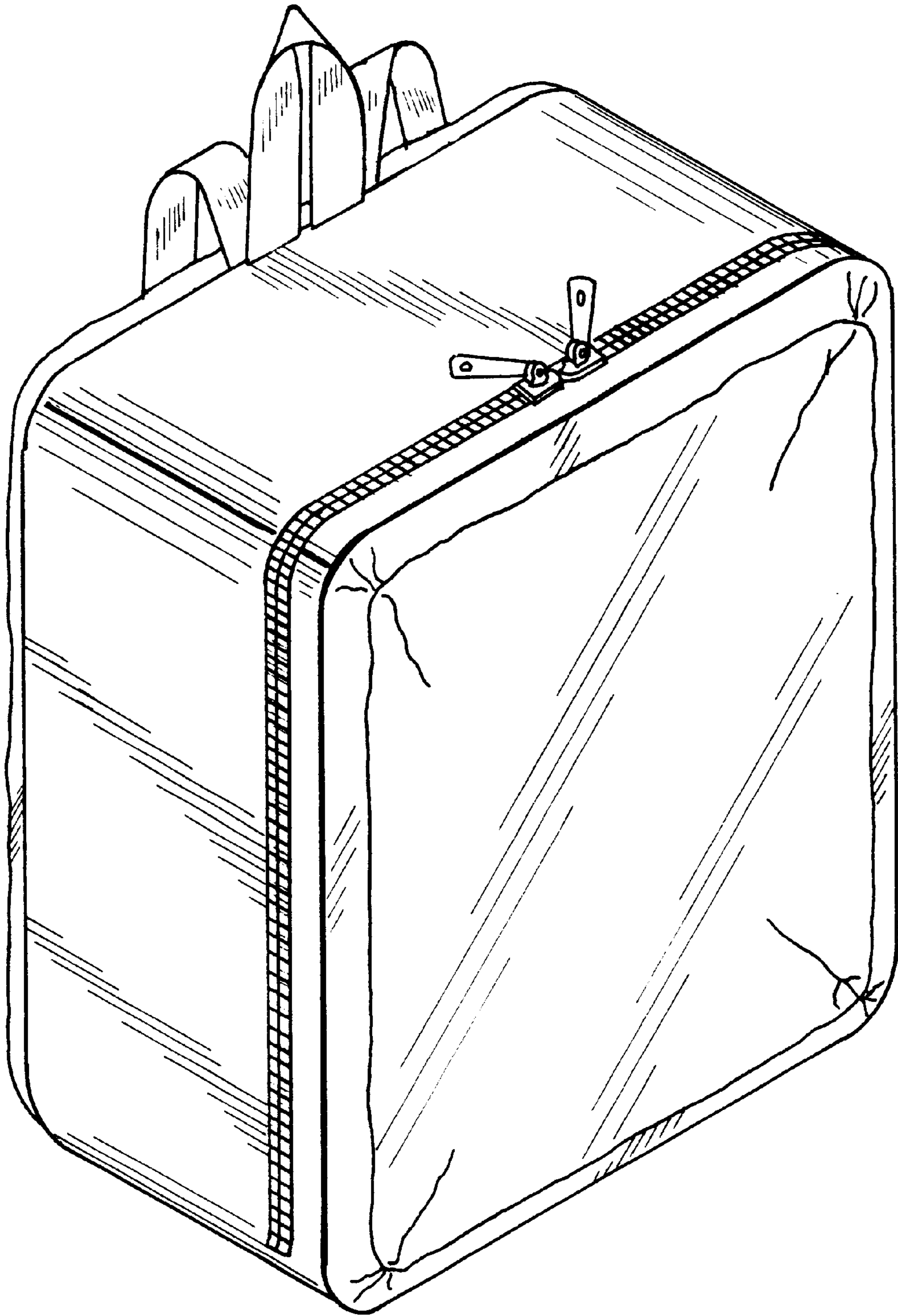
**U.S. PATENT DOCUMENTS**

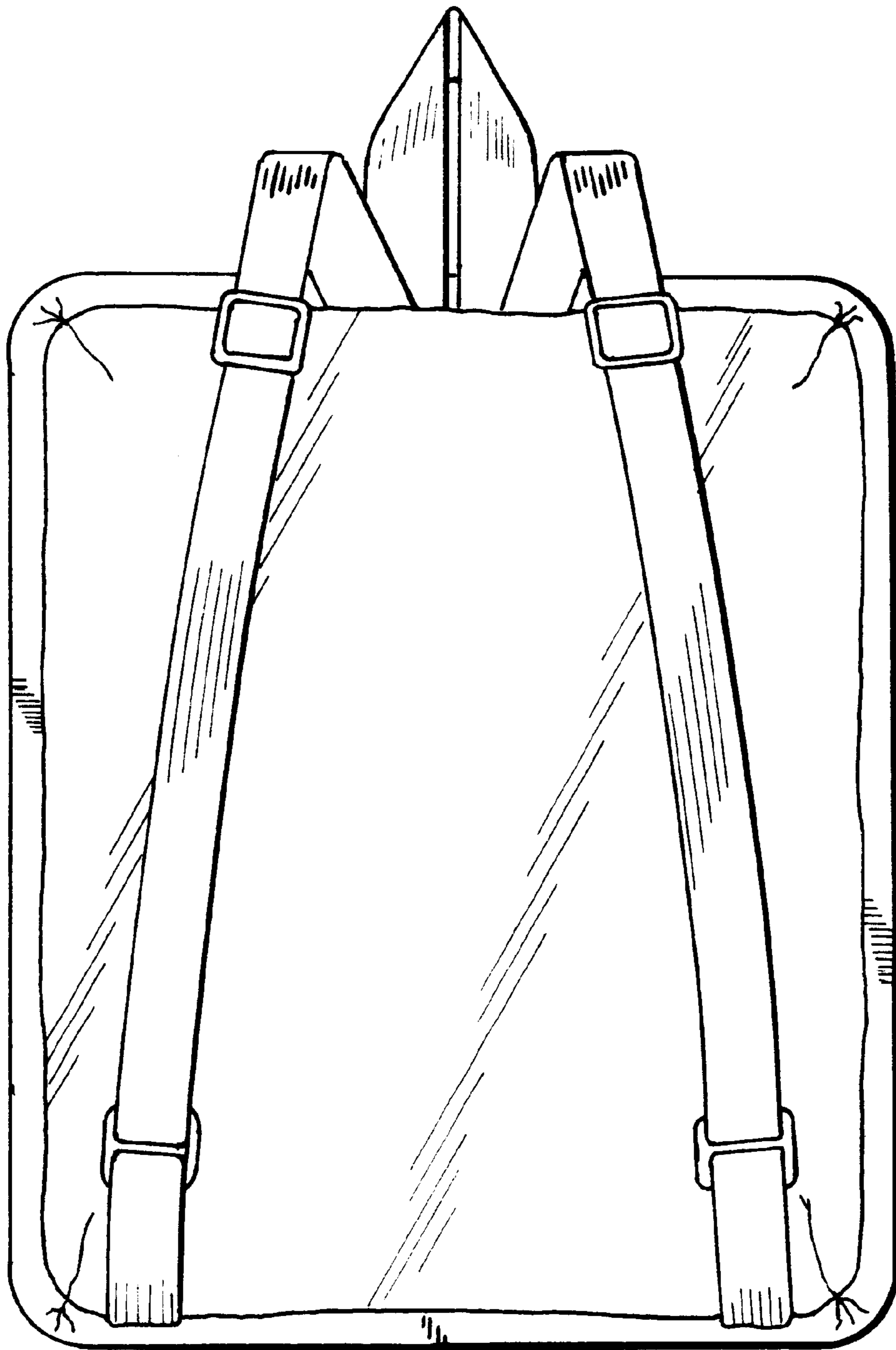
D. 412,787	*	8/1999	Young .....	D3/283
3,622,056	*	11/1971	Droeger .....	224/153
3,980,216	*	9/1976	Nye .....	224/629
3,995,802	*	12/1976	Johnston .....	294/157
4,609,084	*	9/1986	Thomas .....	190/110
4,716,947	*	1/1988	Haddock .....	150/106
5,125,547	*	6/1992	Russell .....	224/637
5,222,642	*	6/1993	Solarz .....	224/191
5,377,887	*	1/1995	Garcia .....	224/153
5,402,869	*	4/1995	Saltzman et al. ....	190/108

**1 Claim, 4 Drawing Sheets**



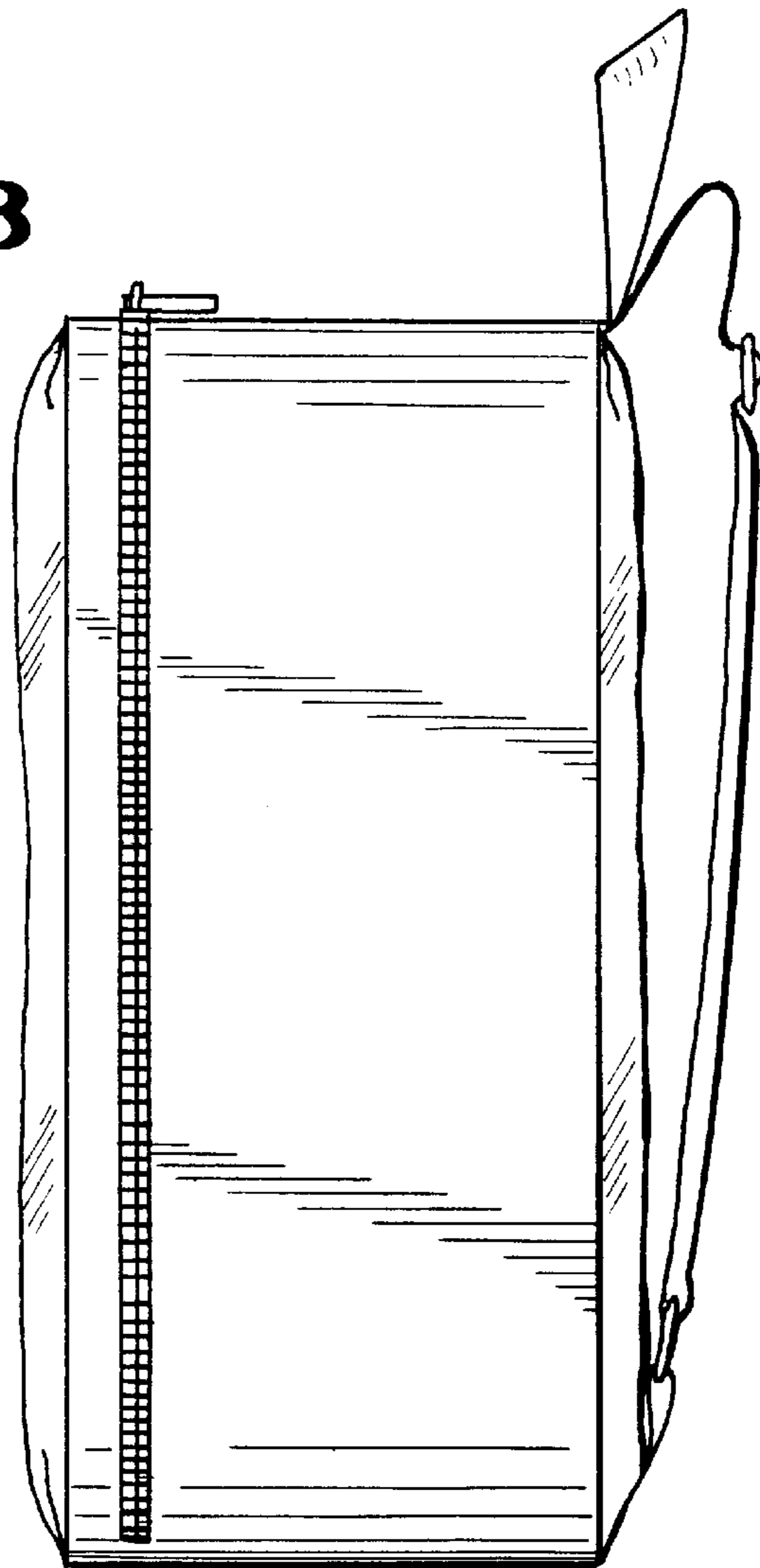
# FIG. 1





**FIG. 2**

**FIG. 3**



**FIG. 4**

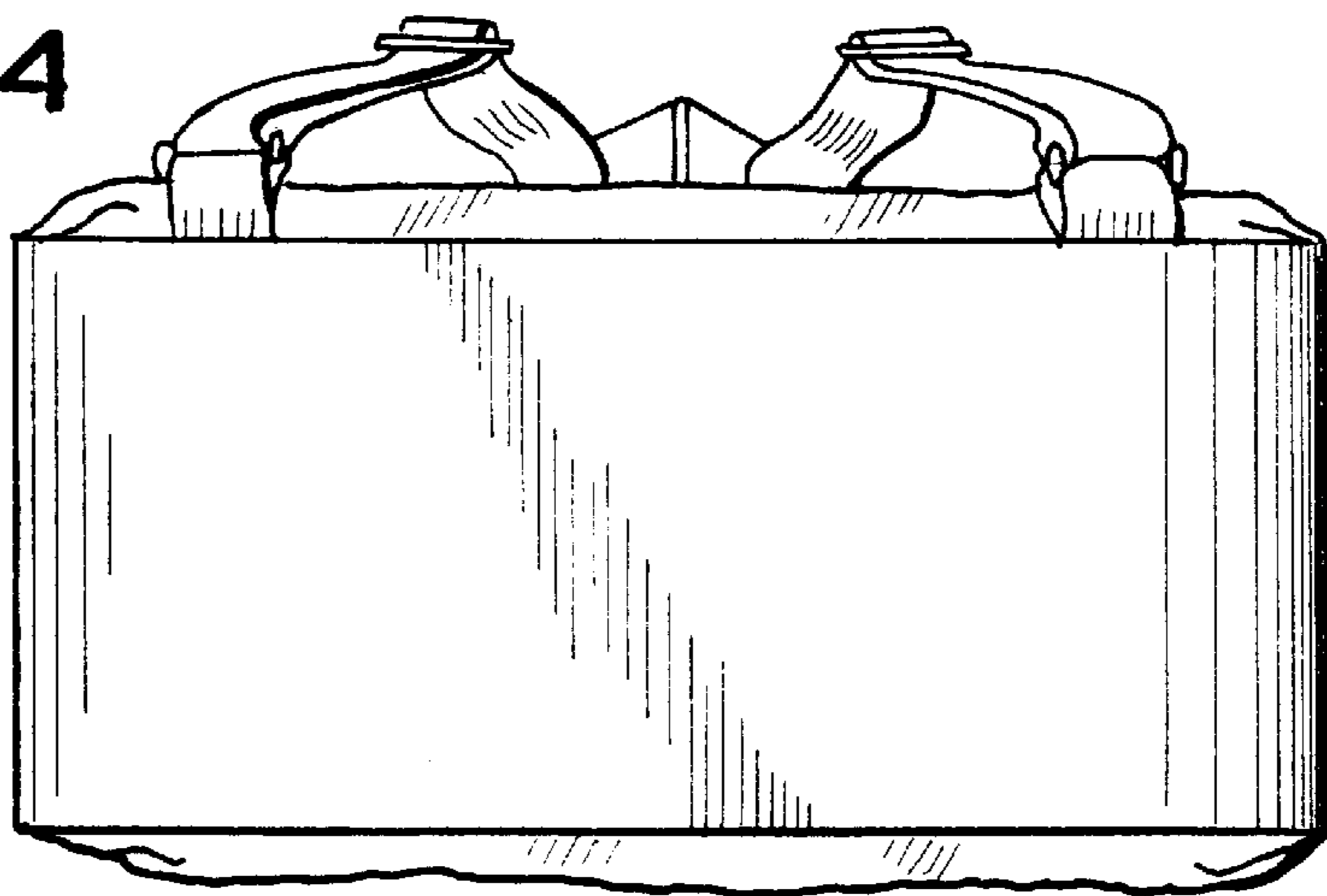


FIG. 5

