



US00D445999S

(12) **United States Design Patent**
Swiney

(10) **Patent No.:** **US D445,999 S**

(45) **Date of Patent:** **** Aug. 7, 2001**

(54) **ADJUSTABLE LENGTH SKIRT**

(76) **Inventor:** **Kenneth W. Swiney**, 10538 Oak St.,
St. Louis, MO (US) 63114

(**) **Term:** **14 Years**

(21) **Appl. No.:** **29/101,927**

(22) **Filed:** **Mar. 13, 1999**

(51) **LOC (7) Cl.** **02-02**

(52) **U.S. Cl.** **D2/851**

(58) **Field of Search** D2/851, 722, 756,
D2/757, 775, 861; 2/74, 105, 269

(56) **References Cited**

U.S. PATENT DOCUMENTS

D. 253,497	11/1979	Brosk	D2/2
D. 402,440	* 12/1998	Marks	D2/851
2,717,395	* 9/1955	Holshouser	2/105
3,064,265	* 11/1962	Bridgewaters	
3,665,516	* 5/1972	Orovan	2/74
3,883,896	5/1975	Cain	2/74
4,190,908	3/1980	Herskind	2/74

4,377,007	*	3/1983	Sudjian	2/105
4,573,218		3/1986	Garrett	2/105
4,697,288	*	10/1987	Palumbo	2/269
4,774,726		10/1988	Panner	2/105

* cited by examiner

Primary Examiner—Celia Murphy

(74) *Attorney, Agent, or Firm*—Ari M. Bai; Greensfelder,
Hemker & Gale, P.C.

(57) **CLAIM**

I claim, the ornamental design for an adjustable length skirt,
as shown and described.

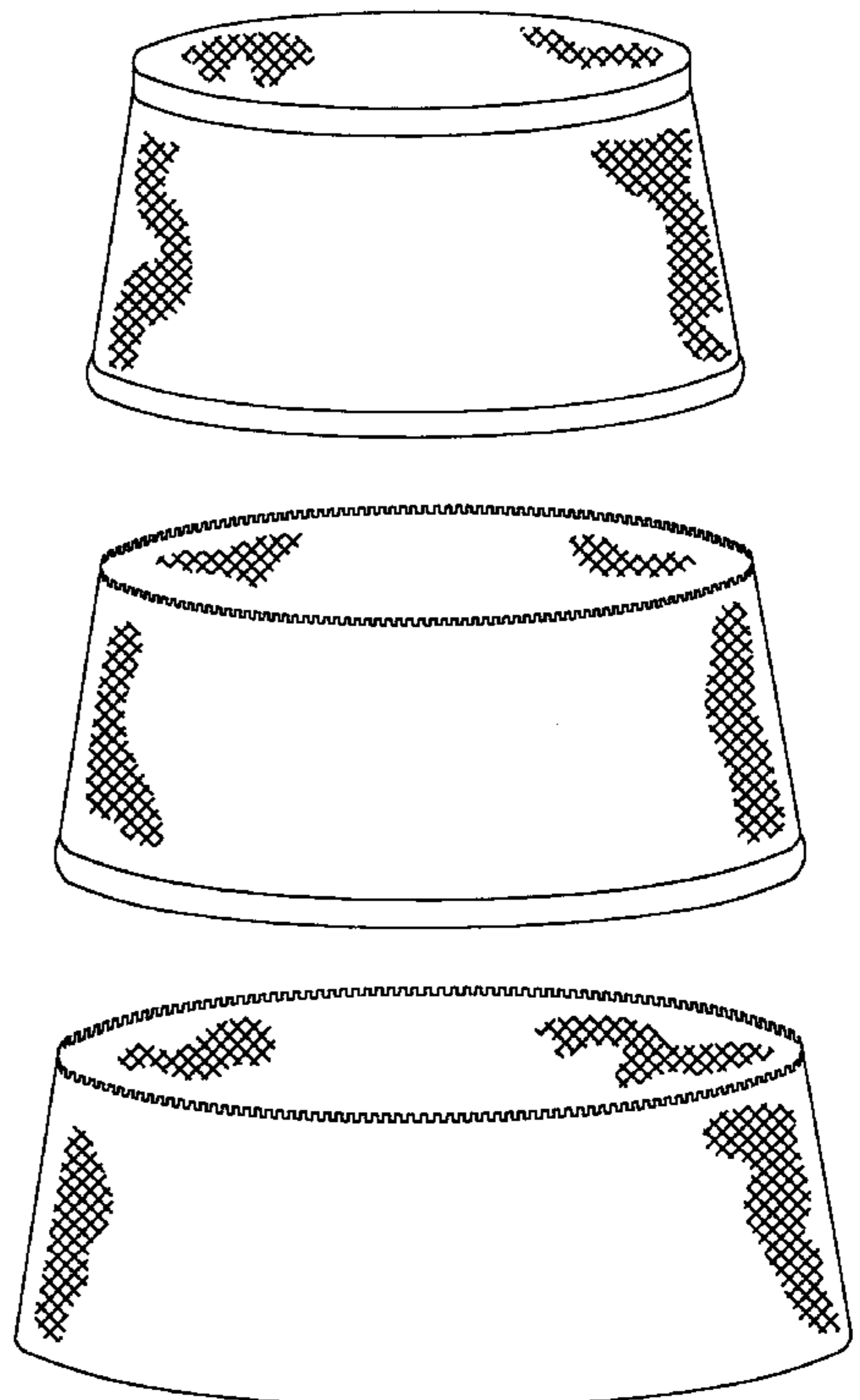
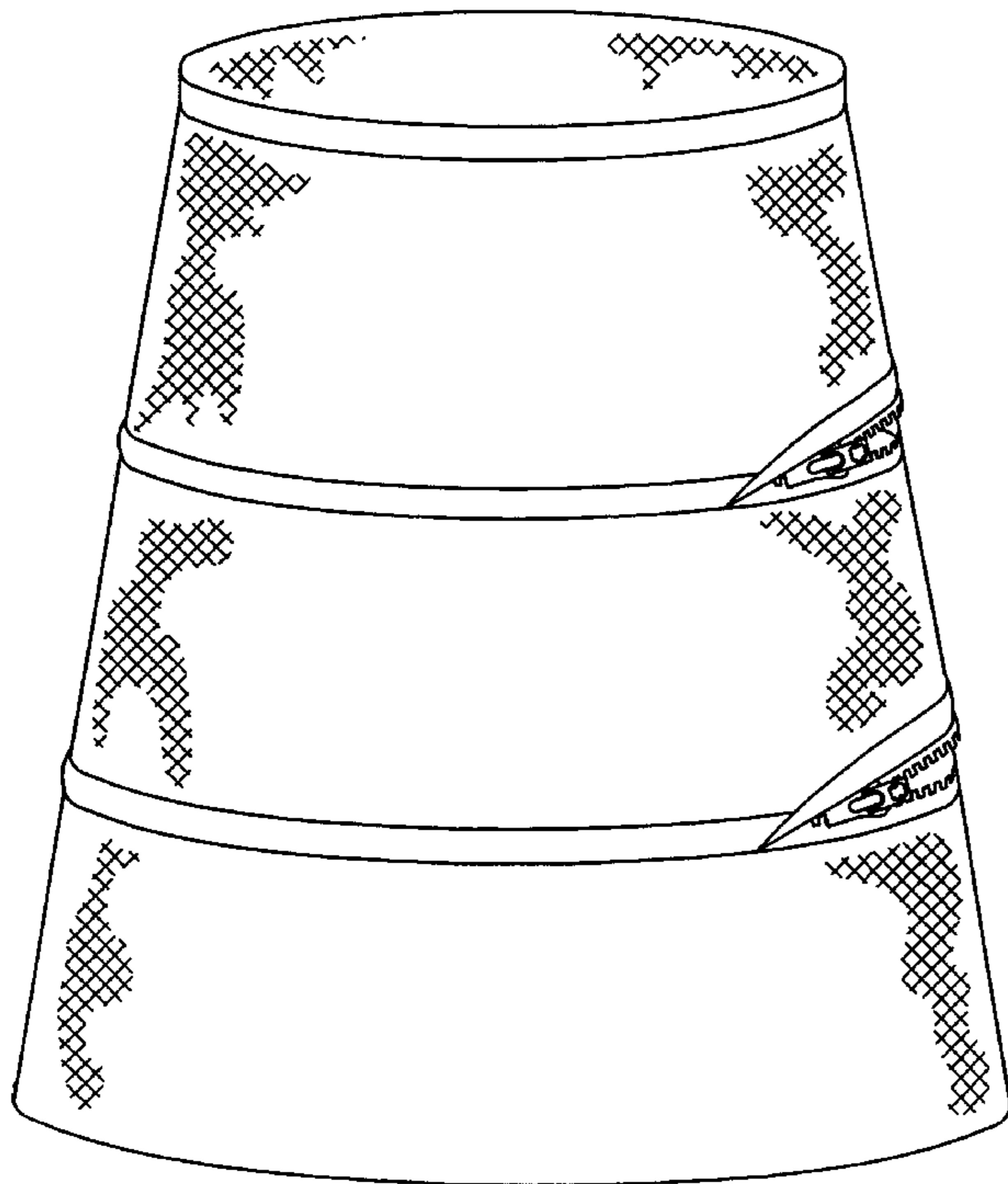
DESCRIPTION

FIG. 1 is a front perspective view of an adjustable length skirt showing our new design, the side and rear perspective views being identical.

FIG. 2 is a front perspective view thereof showing the sections partially unfastened; and,

FIG. 3 is a front perspective view thereof showing the sections completely separated.

1 Claim, 2 Drawing Sheets



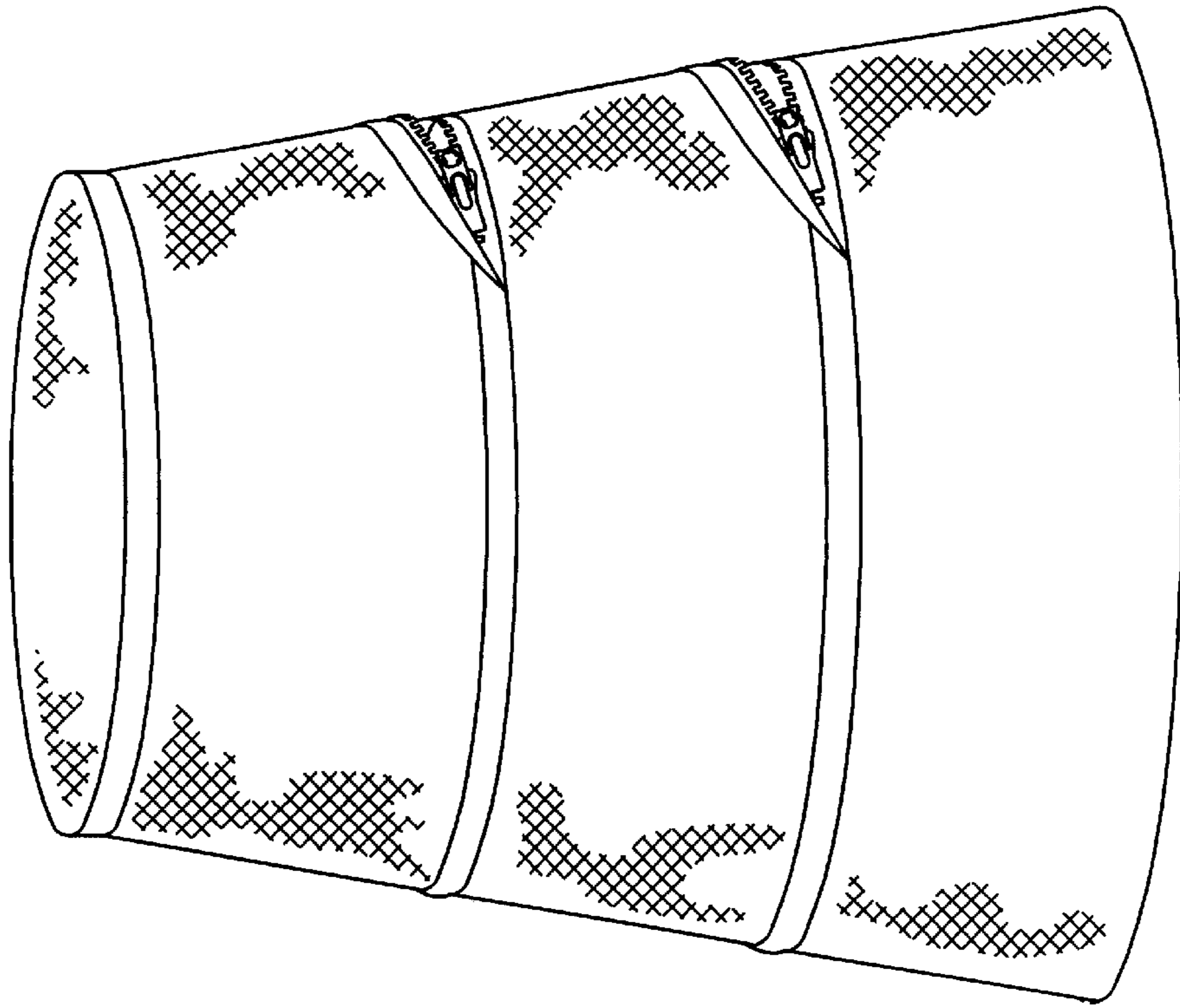


figure 2

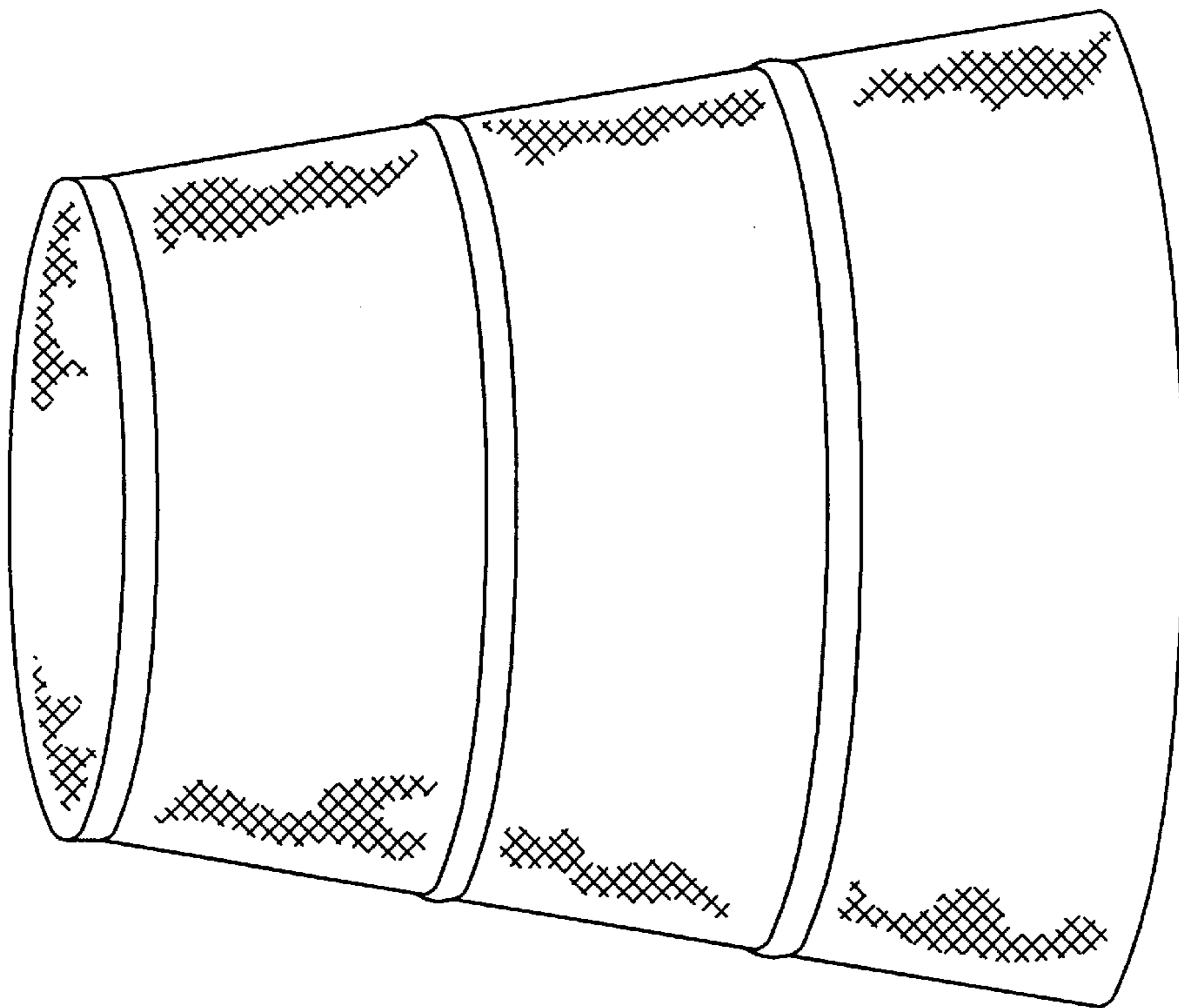


figure 1

figure 3

