



US00D445994S

(12) **United States Design Patent**
Yoon

(10) **Patent No.:** **US D445,994 S**

(45) **Date of Patent:** **** Aug. 7, 2001**

(54) **NECKTIE**

3,506,978 * 4/1970 Santona 2/150
4,564,958 1/1986 Woodward .
5,142,703 9/1992 Basinger et al. .

(76) **Inventor:** **Jong Oh Yoon**, 256-3 Shinyangbok-ri,
Keumkwang-myun, Ansong-shi,
Kyungki-do (KR)

* cited by examiner

(**) **Term:** **14 Years**

Primary Examiner—Paula A. Mortimer
(74) *Attorney, Agent, or Firm*—Eric Bleich; Marguerite Del Valle

(21) **Appl. No.:** **29/110,616**

(22) **Filed:** **Sep. 9, 1999**

(57) **CLAIM**

(51) **LOC (7) Cl.** **02-05**

(52) **U.S. Cl.** **D2/605**

(58) **Field of Search** D2/600, 604, 605,
D2/608; 2/144, 145, 146, 148, 149, 147

I claim the ornamental design for the necktie, as shown and described.

DESCRIPTION

(56) **References Cited**

U.S. PATENT DOCUMENTS

D. 43,459	*	1/1913	Kellner et al.	D2/605
D. 396,540		8/1998	She .	
D. 426,370	*	6/2000	Yoon	D2/605
D. 432,757	*	10/2000	Yoon	D2/605
1,600,971		9/1926	Bracken .	
2,104,977	*	1/1938	Exline et al.	2/146
2,304,935		12/1942	Langsdorf .	
2,495,614		1/1950	Vandermark .	
3,025,528		3/1962	Minter .	
3,487,471		1/1970	Hagen .	

FIG. 1 is a front perspective view of the new ornamental necktie of the present invention.
FIG. 2 is a top view of the new ornamental necktie shown in FIG. 1;
FIG. 3 is a bottom view of the new ornamental necktie shown in FIG. 1;
FIG. 4 is a right side view of the new ornamental necktie shown in FIG. 1, the opposite thereof being a mirror image;
FIG. 5 is a front view of the new ornamental necktie shown in FIG. 1; and,
FIG. 6 is a rear view of the new ornamental necktie shown in FIG. 1.

1 Claim, 2 Drawing Sheets

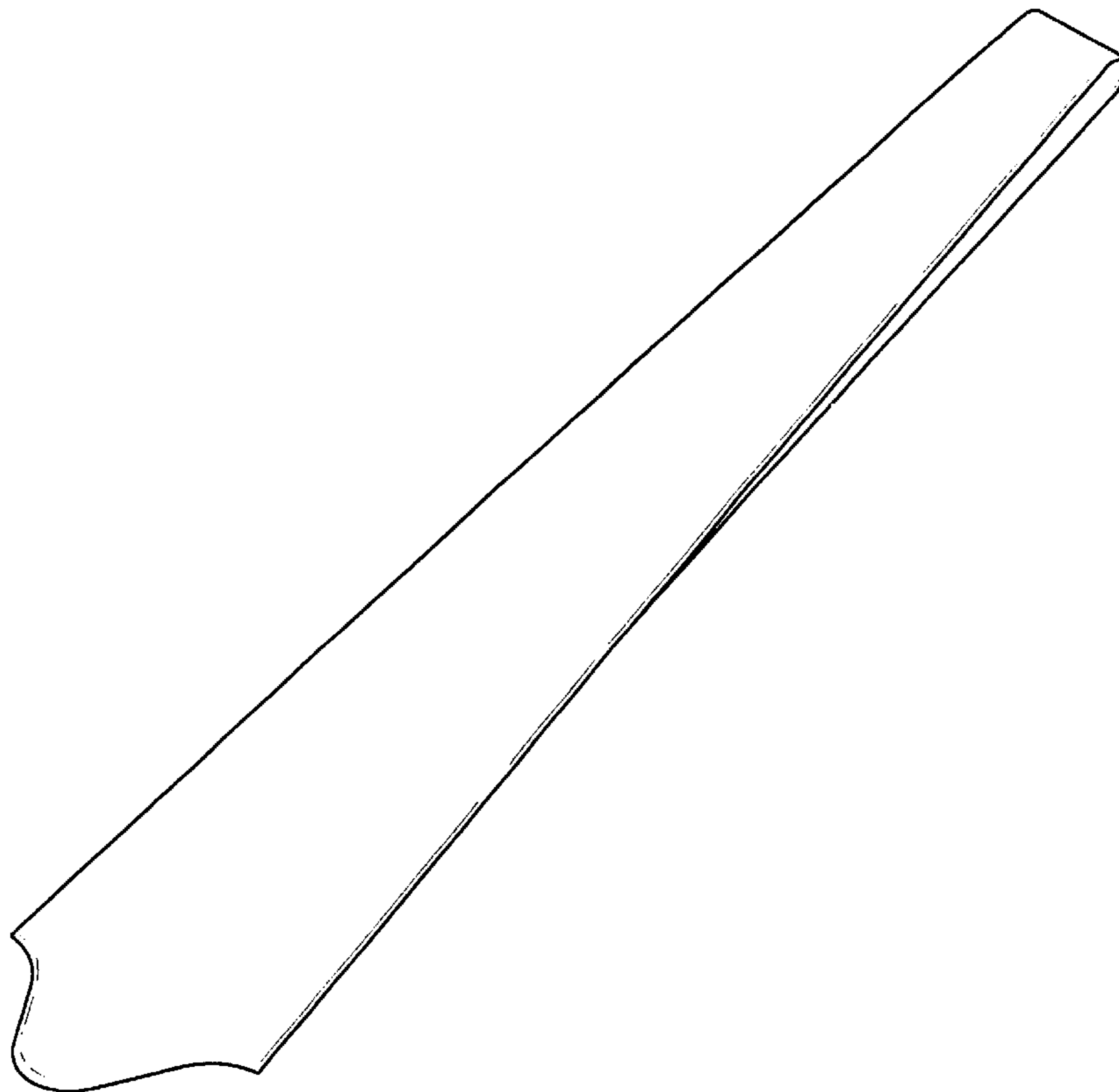


Fig. 1

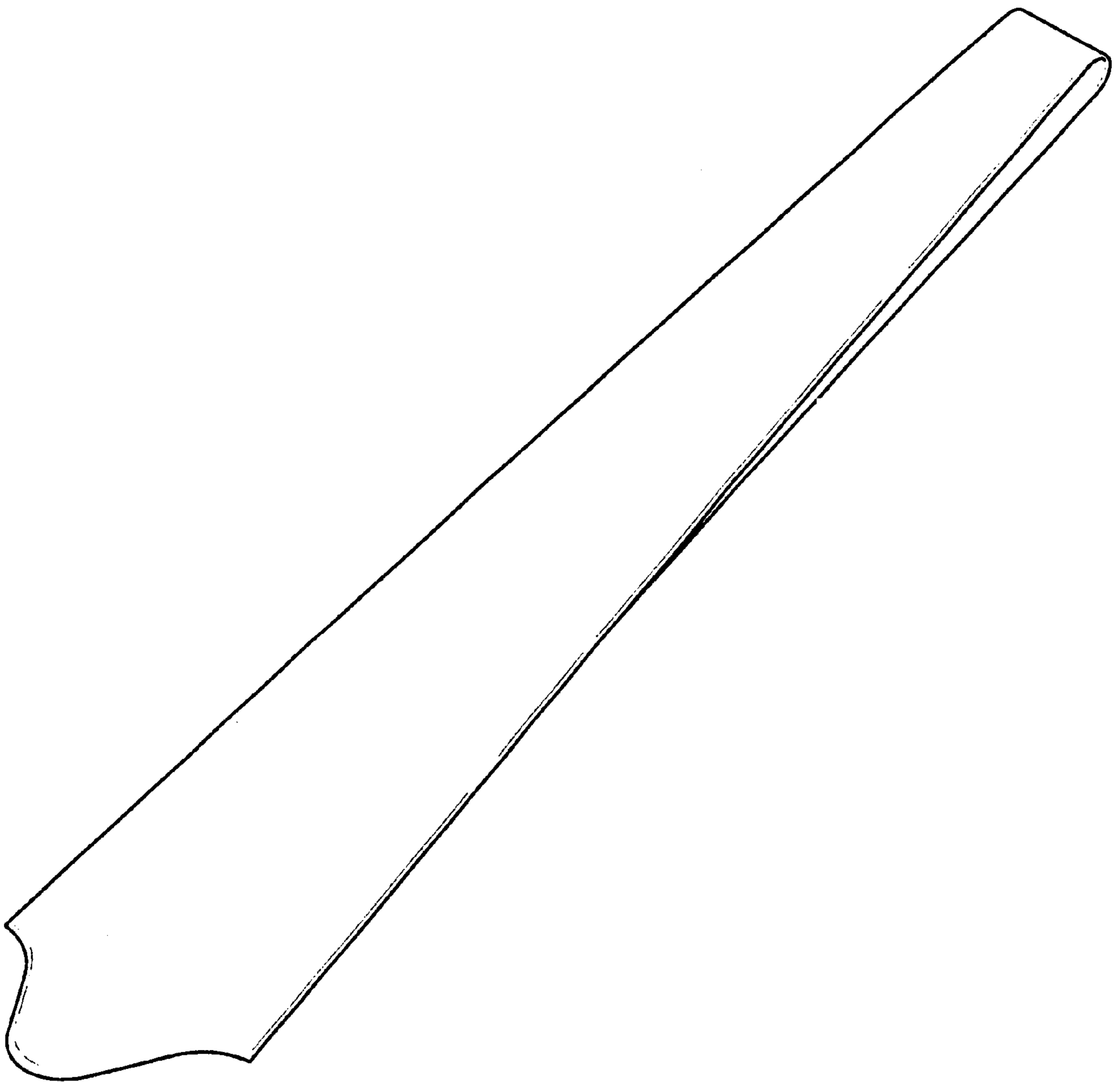


Fig. 2



Fig. 3



Fig. 4

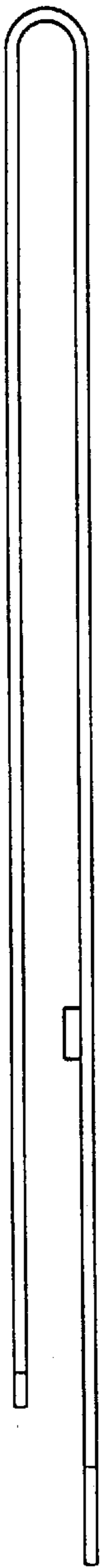


Fig. 5

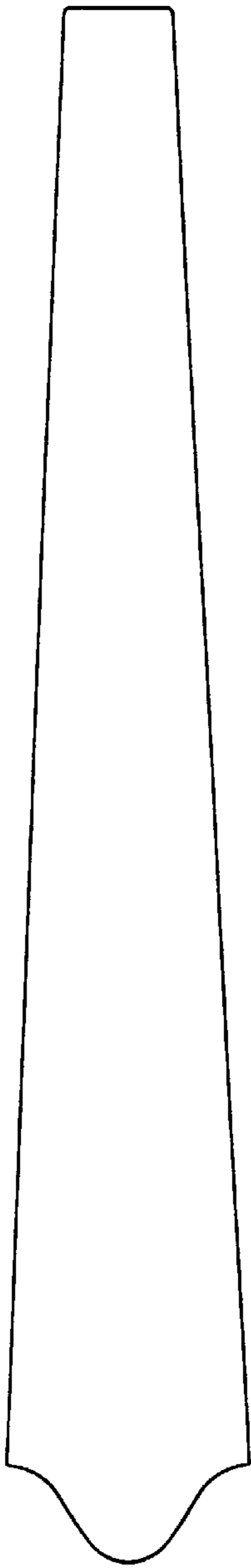


Fig. 6

