



US00D445990S

(12) **United States Design Patent**
Knox, Jr. et al.

(10) **Patent No.:** **US D445,990 S**

(45) **Date of Patent:** **** Jul. 31, 2001**

(54) **ARTICLE HOLDER WITH COIN SORTER**

(75) **Inventors:** **William J. Knox, Jr.**, Painesville; **John R. Nottingham**, Hunting Valley; **John W. Spirk**, Gates Mills; **Jeffrey S. Plantz**, Medina, all of OH (US)

(73) **Assignee:** **Mag-Nif Incorporated**, Mentor, OH (US)

(**) **Term:** **14 Years**

(21) **Appl. No.:** **29/134,296**

(22) **Filed:** **Dec. 18, 2000**

(51) **LOC (7) Cl.** **99-00**

(52) **U.S. Cl.** **D99/34**

(58) **Field of Search** D99/34, 35, 36,
D99/37; D18/4.1, 4.2, 4.3, 4.4, 4.5, 4.6;
232/4 R; D20/7; 446/8, 9, 10, 11, 12, 13;
453/3, 9, 10, 12, 13, 15

(56) **References Cited**

U.S. PATENT DOCUMENTS

Re. 36,966	*	11/2000	Perkitny	453/9
D. 283,075	*	3/1986	Spirk, Jr. et al.	D99/34
D. 288,499	*	2/1987	Wan	D99/36
D. 359,152	*	6/1995	Adams et al.	D99/34
D. 393,531	*	4/1998	Perkitny	D99/35

3,313,477	*	4/1967	Brown	232/5
4,607,648	*	8/1986	Hough	453/9
5,827,117	*	10/1998	Naas	453/9
5,976,006	*	11/1999	Snyder	453/9
6,099,401	*	8/2000	Perkitny	453/9
6,165,063	*	12/2000	Perkitny	453/9

OTHER PUBLICATIONS

“Mag-Nif Makes it in the U.S.A.!” Brochure, 1999.

* cited by examiner

Primary Examiner—Paula A. Mortimer

(74) *Attorney, Agent, or Firm*—Fay, Sharpe, Fagan, Minnich & McKee, LLP

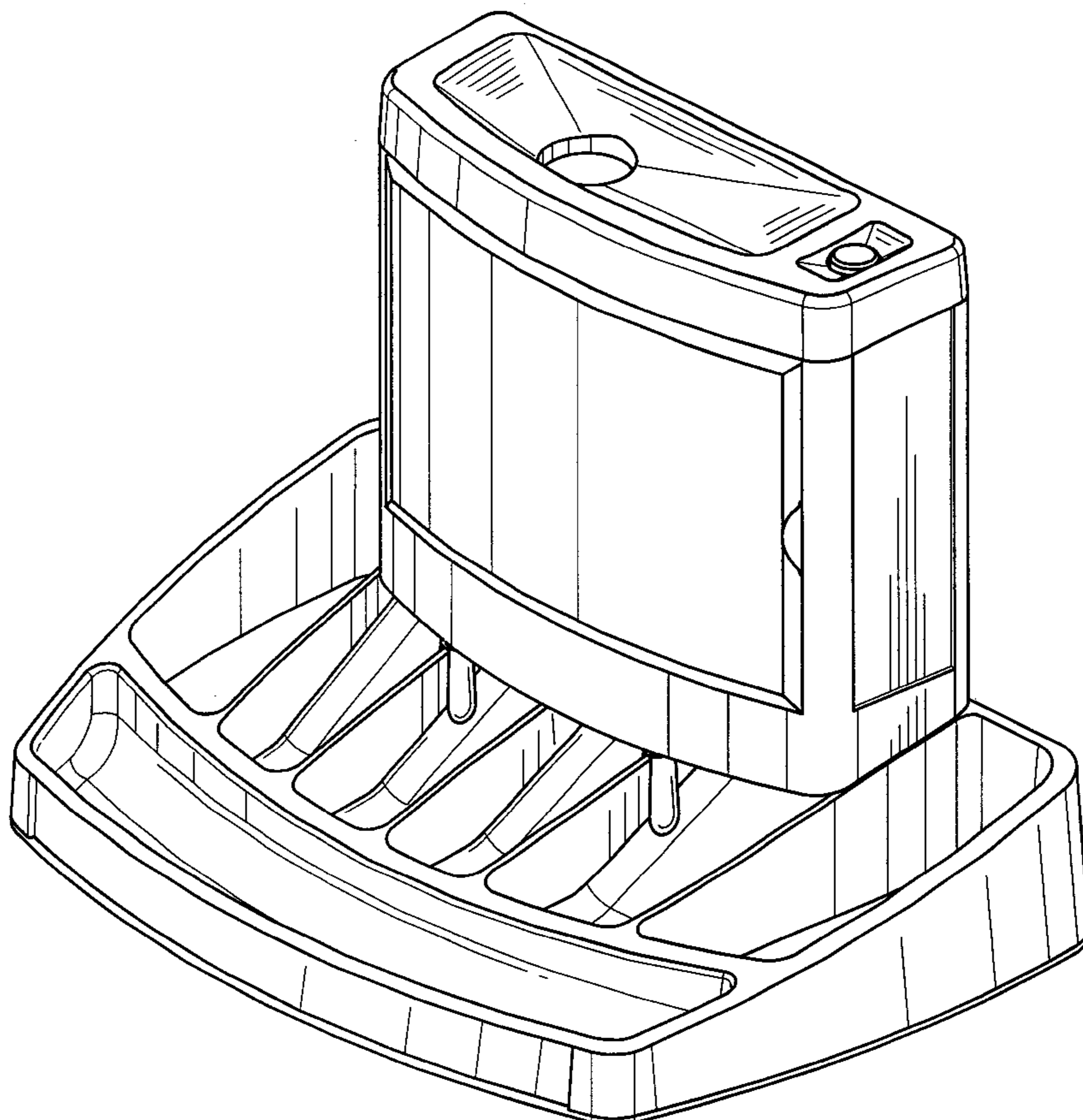
(57) **CLAIM**

The ornamental design for an article holder with coin sorter, as shown and described.

DESCRIPTION

FIG. 1 is a perspective view of an article holder with coin sorter showing our new design; FIG. 2 is a top plan view thereof; FIG. 3 is a front elevational view thereof; FIG. 4 is a rear elevational view thereof; FIG. 5 is a bottom plan view thereof; and, FIG. 6 is a left side elevational view thereof, with the right side elevational view being a mirror image thereof.

1 Claim, 4 Drawing Sheets



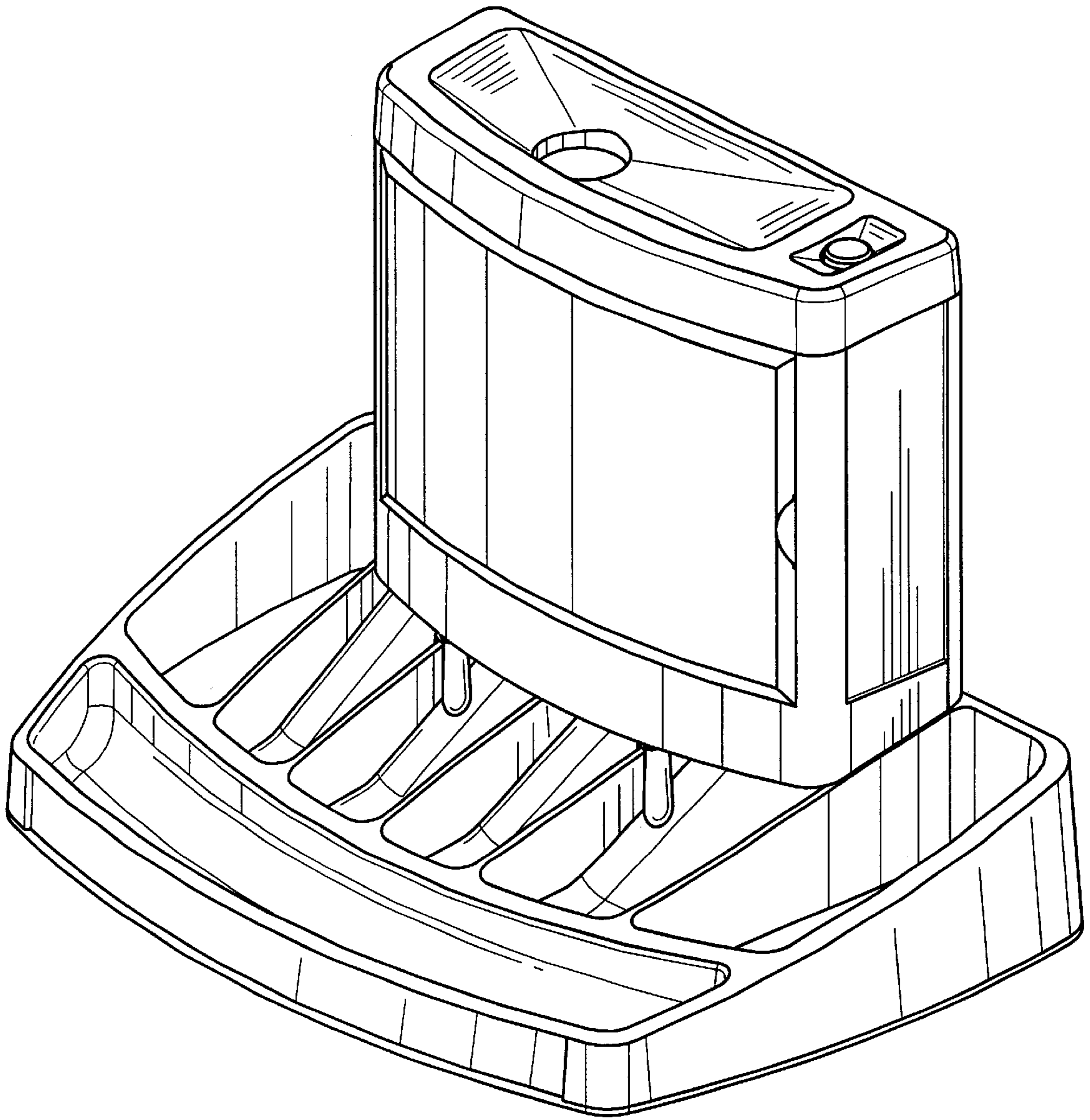


FIG.1

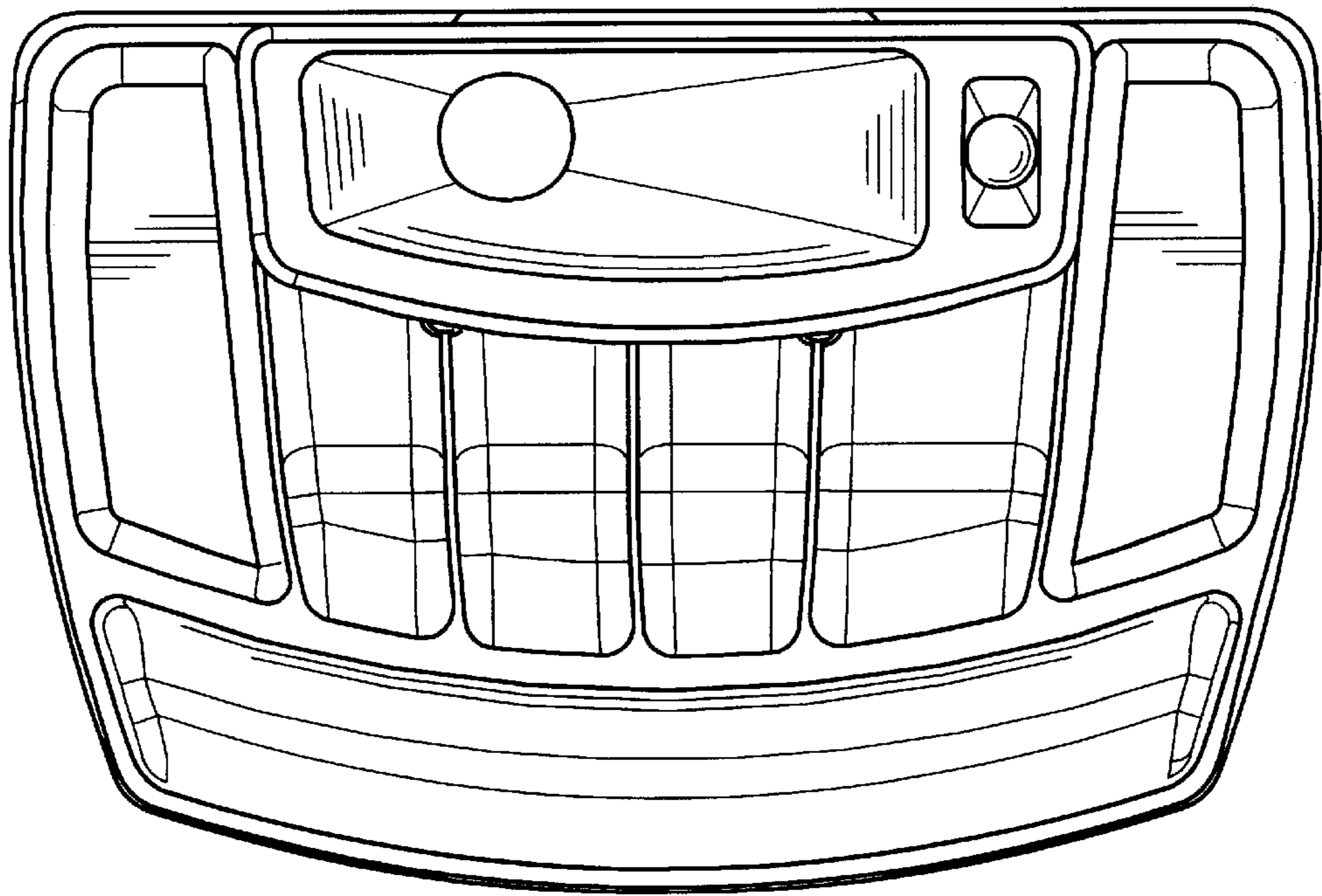


FIG. 2

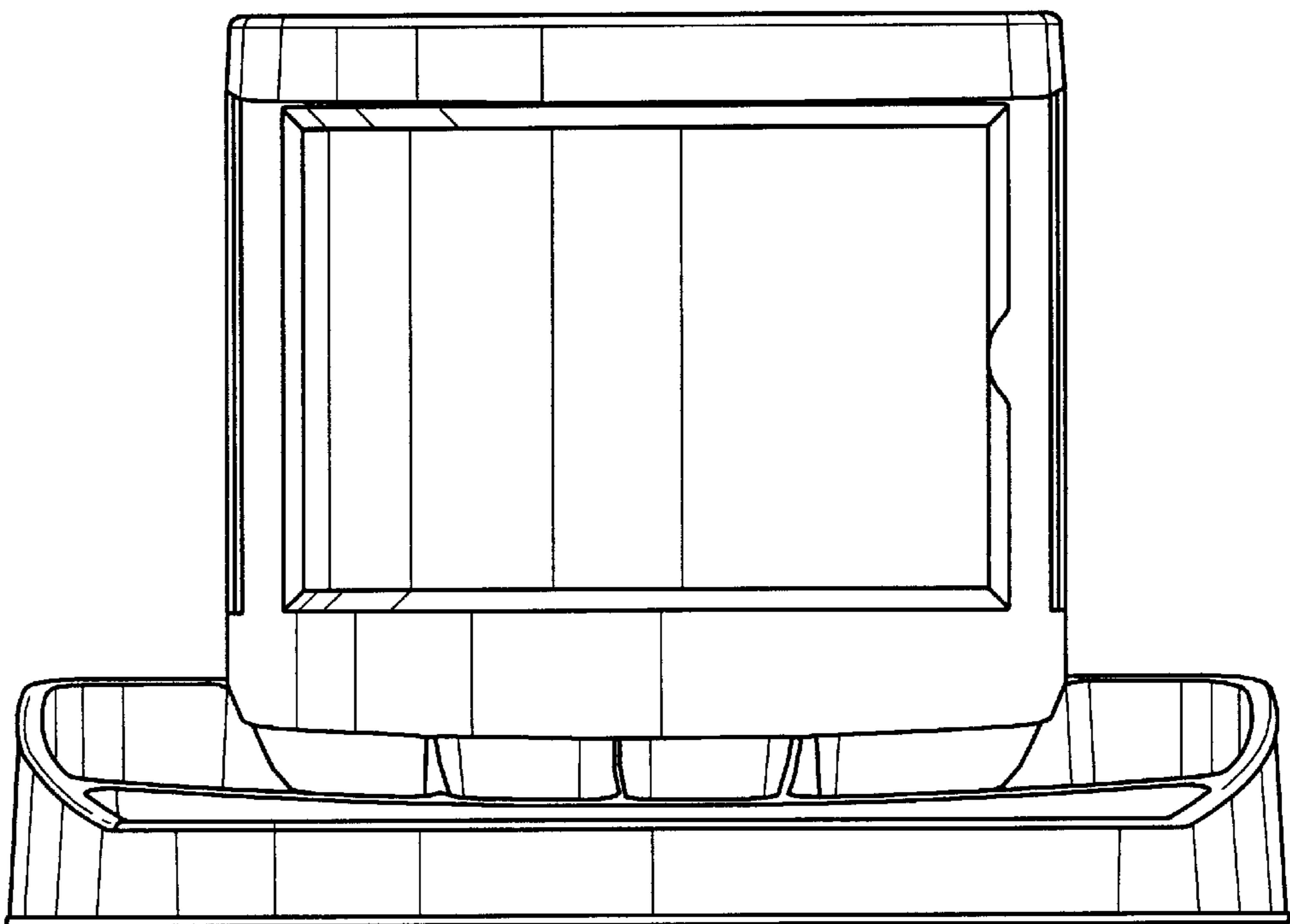


FIG. 3

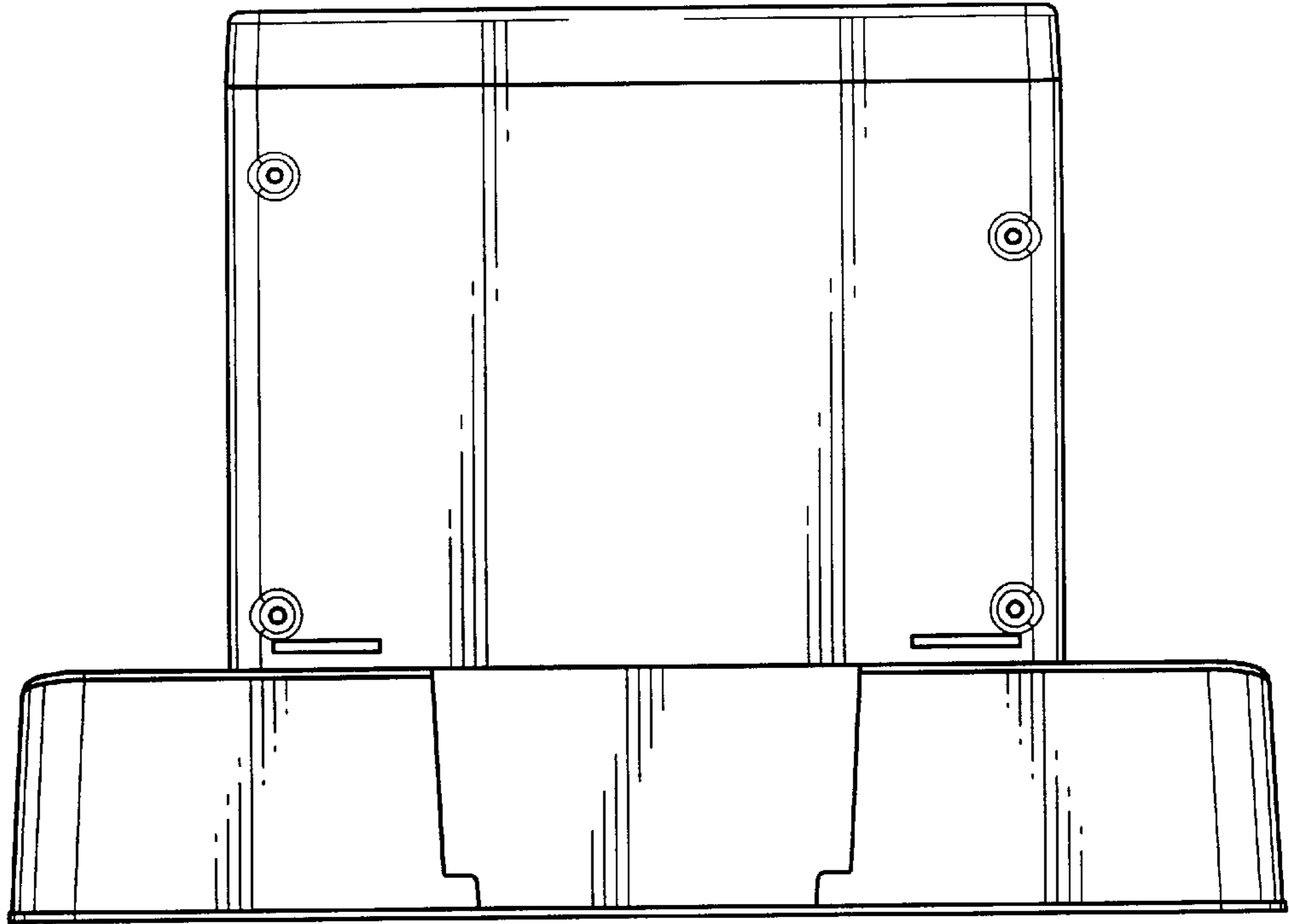


FIG. 4

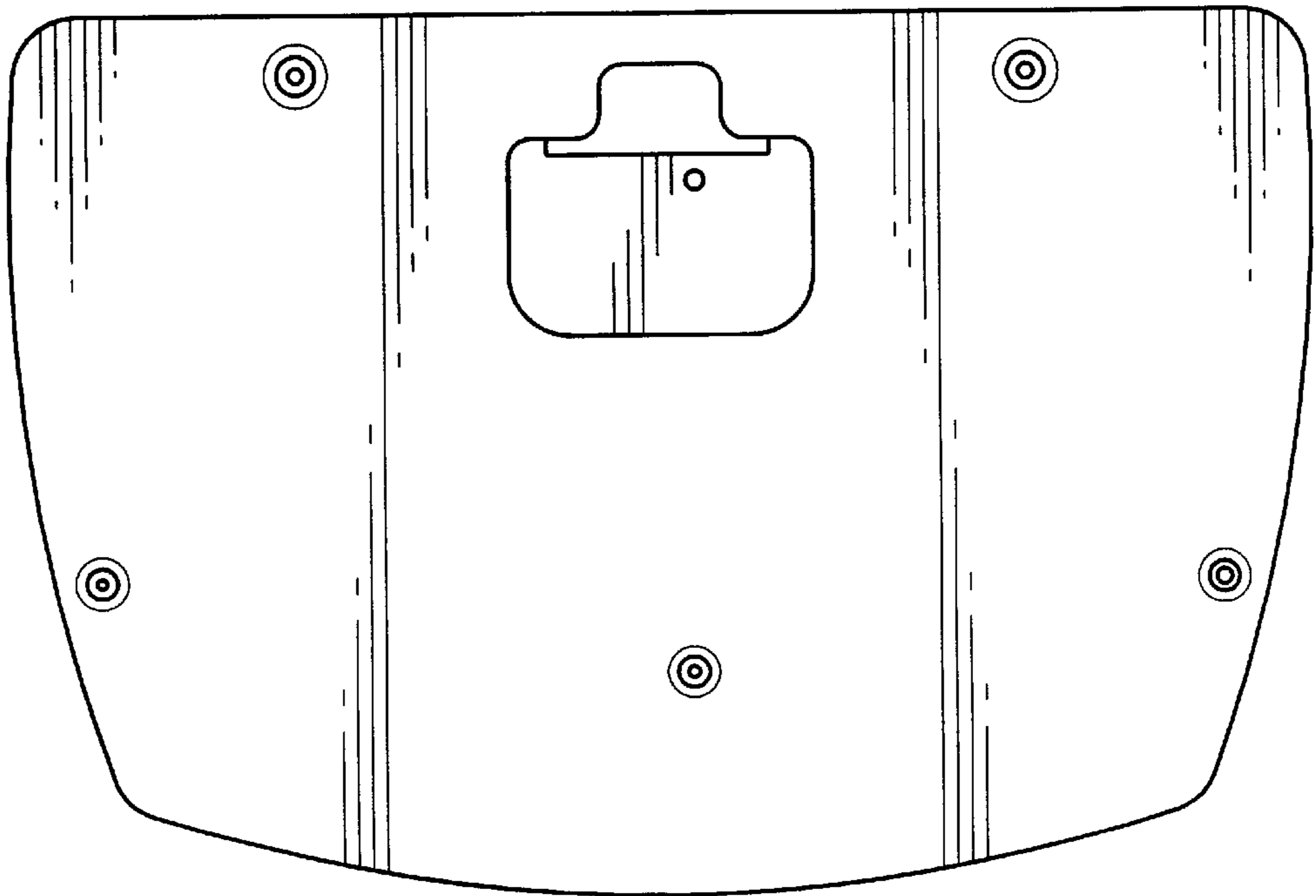


FIG. 5

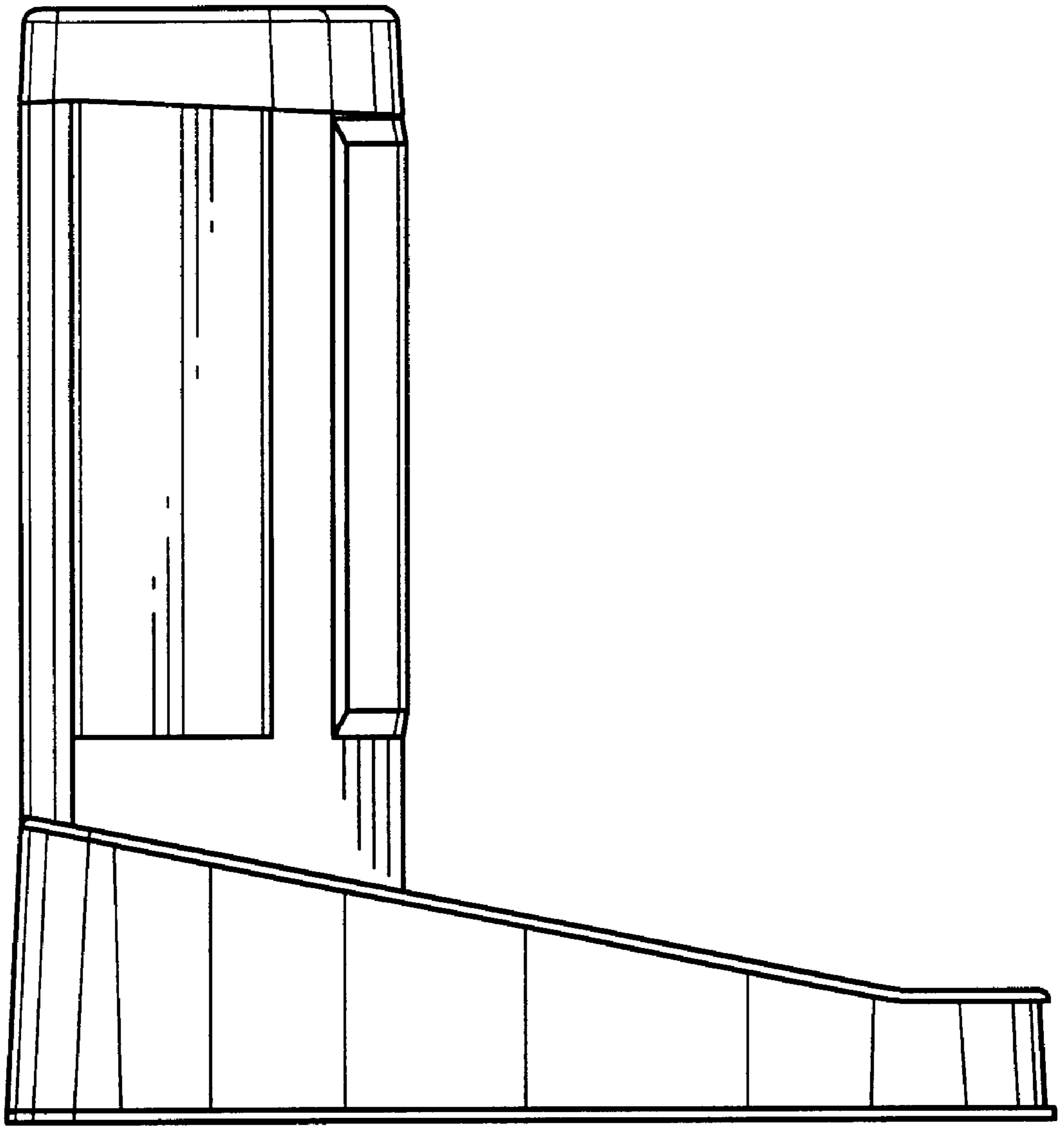


FIG. 6