



US00D445988S

(12) **United States Design Patent** (10) **Patent No.:** **US D445,988 S**
Gaines et al. (45) **Date of Patent:** **** Jul. 31, 2001**

(54) **MAILBOX** 5,524,858 * 6/1996 Friend 248/900 X

(75) Inventors: **Theodore E. Gaines**, San Diego;
Donald B. Gaines, Santa Fe, both of
CA (US)

(73) Assignee: **Gaines Manufacturing, Inc.**, Poway,
CA (US)

(**) Term: **14 Years**

(21) Appl. No.: **29/126,461**

(22) Filed: **Jul. 17, 2000**

(51) **LOC (7) Cl.** **99-00**

(52) **U.S. Cl.** **D99/29**

(58) **Field of Search** D99/28, 29, 30,
D99/31, 32, 33; 232/14, 17, 24, 29; 248/310,
145, 156, 900

(56) **References Cited**

U.S. PATENT DOCUMENTS

D. 334,272	3/1993	Gaines .	
D. 376,248	12/1996	Erwin et al. .	
D. 388,232	12/1997	Valentino .	
D. 390,328	* 2/1998	Barton, Jr.	D99/32
D. 393,532	* 4/1998	Black et al.	D99/43
D. 402,783	* 12/1998	Lamolinaro	D99/30
597,420	1/1898	Kelly .	
951,090	3/1910	Kilian .	
4,368,842	1/1983	Delange .	
5,449,111	* 9/1995	Sauzedde et al.	232/17

OTHER PUBLICATIONS

Gaines Manufacturing Company Catalog; The "Keystone Series" Mailbox.

* cited by examiner

Primary Examiner—Paula A. Mortimer

(74) *Attorney, Agent, or Firm*—Mark D. Wiczorek

(57) **CLAIM**

The ornamental design for a mailbox, as shown and described.

DESCRIPTION

FIG. 1 is a front elevational view of a mailbox showing our new design, the broken line showing of the post is for illustrative purposes only and forms no part of the claimed design;

FIG. 2 is a rear elevational view thereof;

FIG. 3 is a left side elevational view thereof;

FIG. 4 is a right side elevational view thereof;

FIG. 5 is a top plan view thereof;

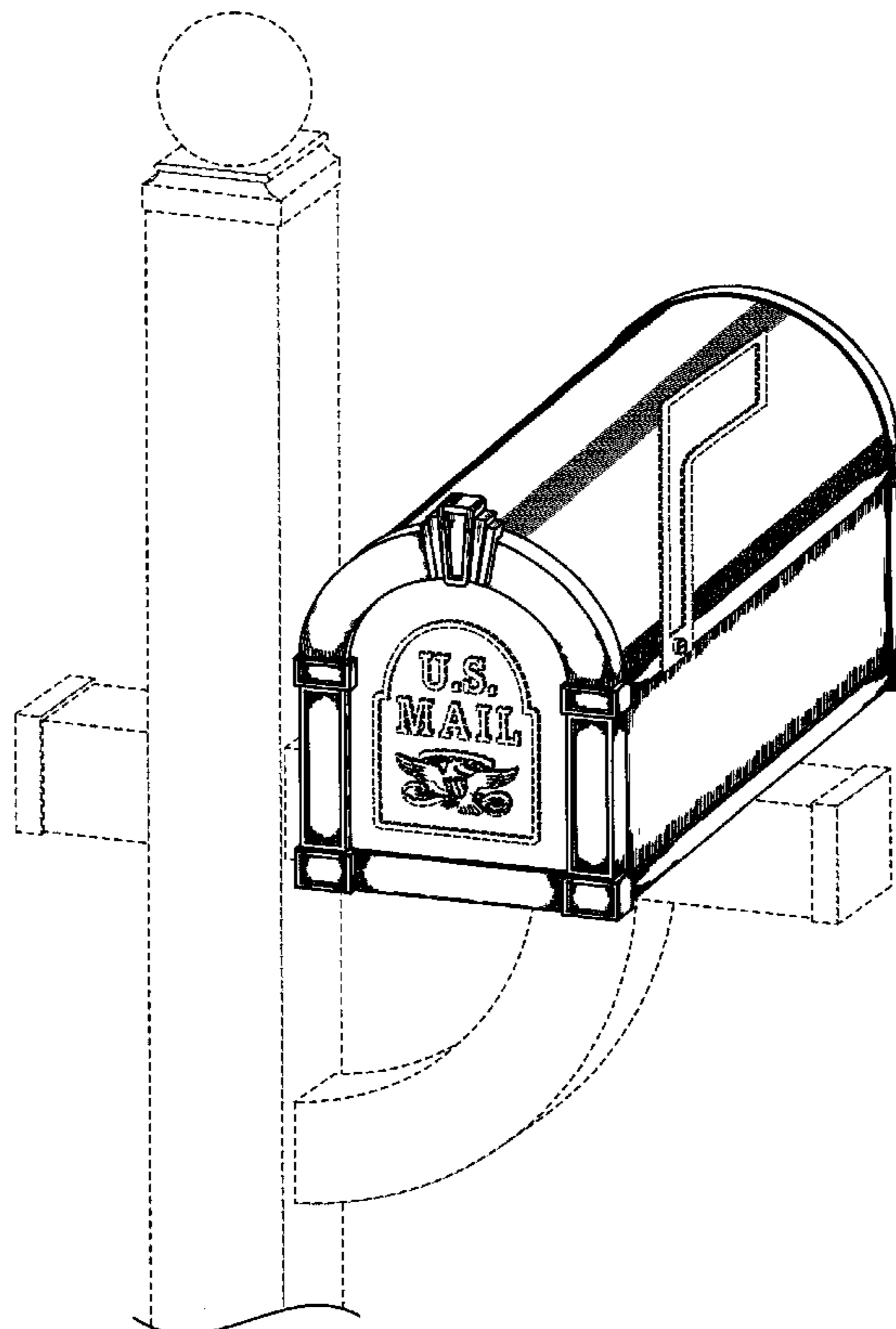
FIG. 6 is a bottom plan view thereof;

FIG. 7 is a front perspective view thereof; and,

FIG. 8 is a front perspective view thereof, showing the door in an open position.

The broken line showing of the words "U.S. Mail" logo and flag is for illustrative purposes only and forms no part of the claimed design.

1 Claim, 8 Drawing Sheets



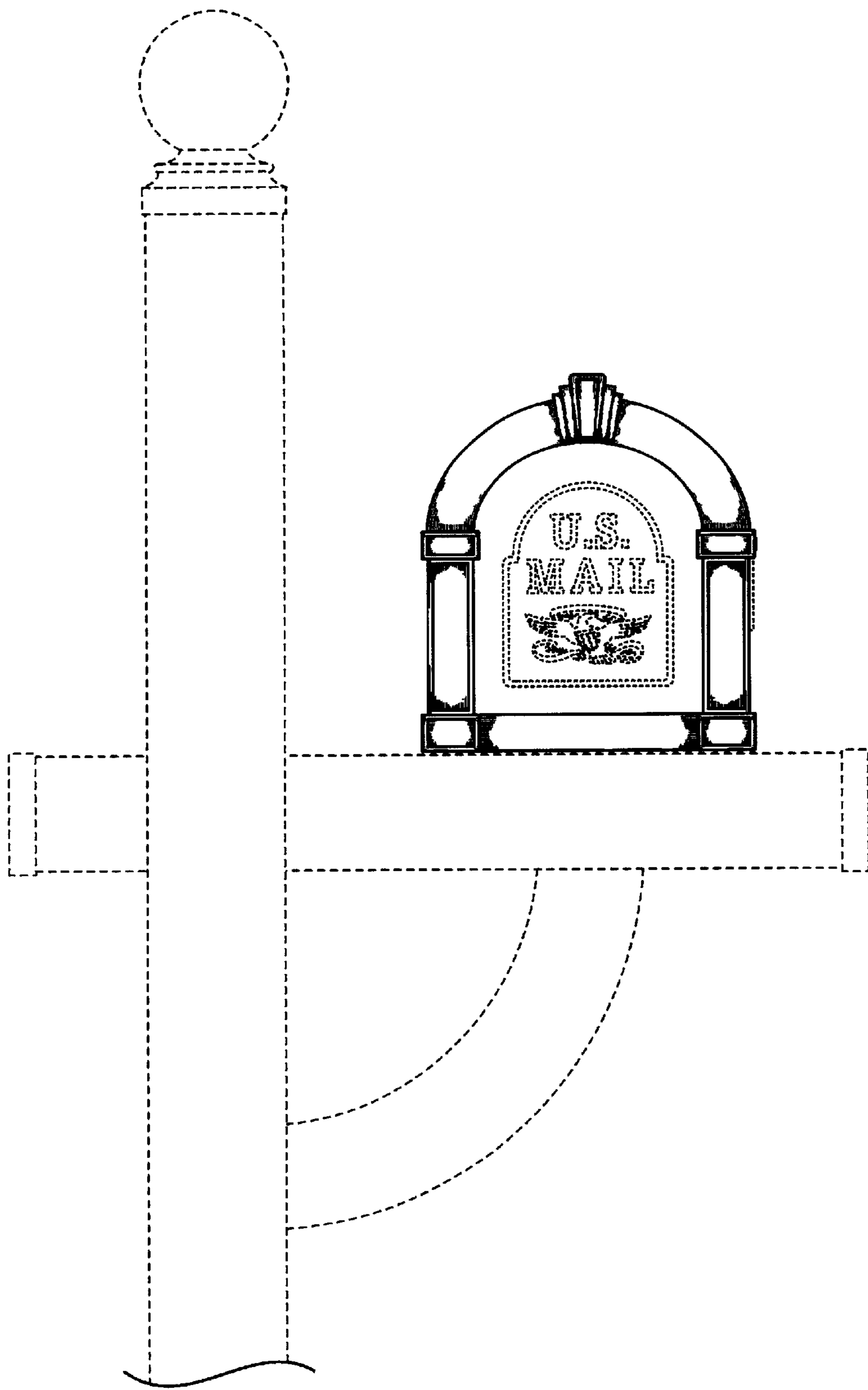


FIG. 1

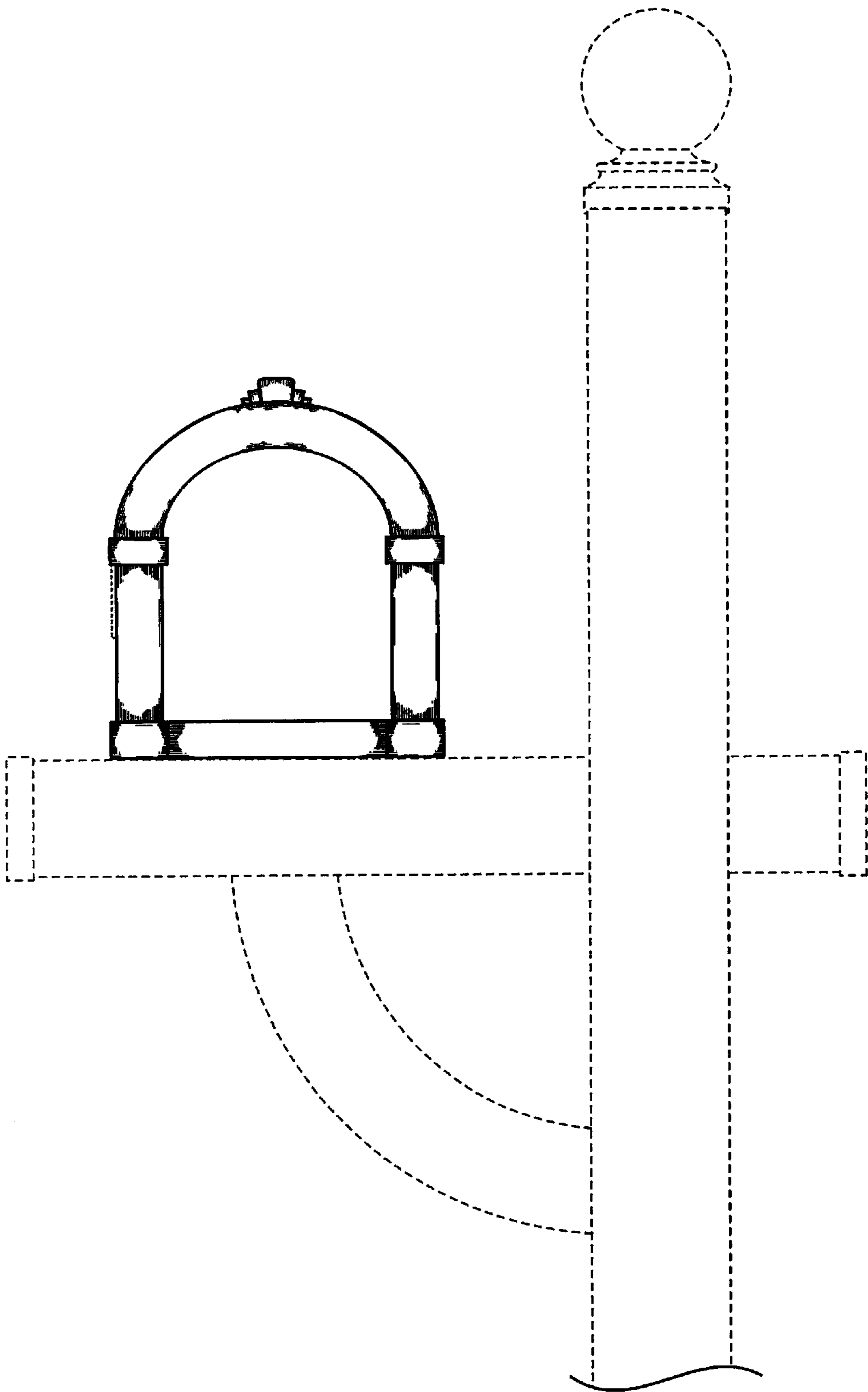


FIG. 2

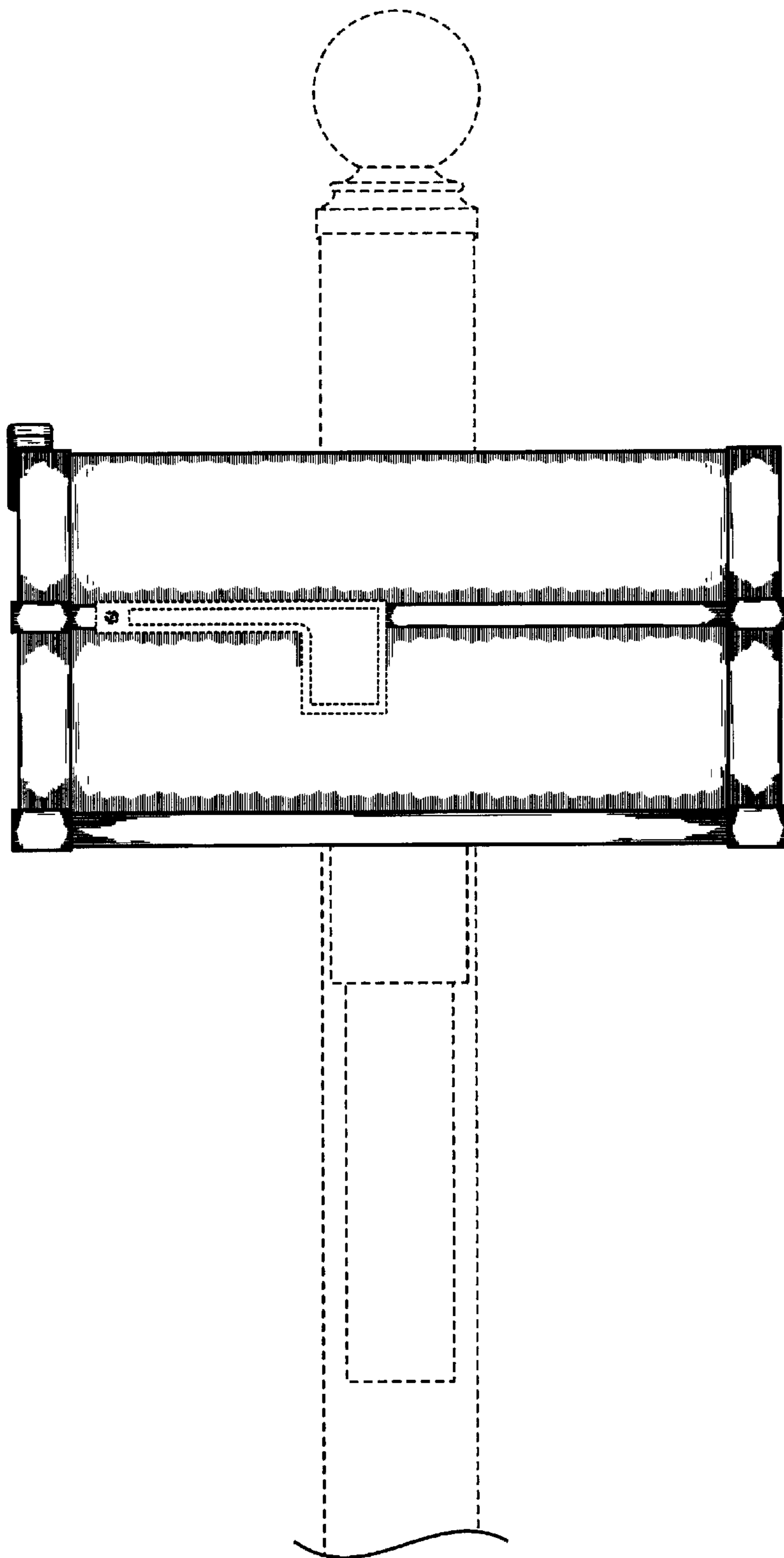


FIG. 3

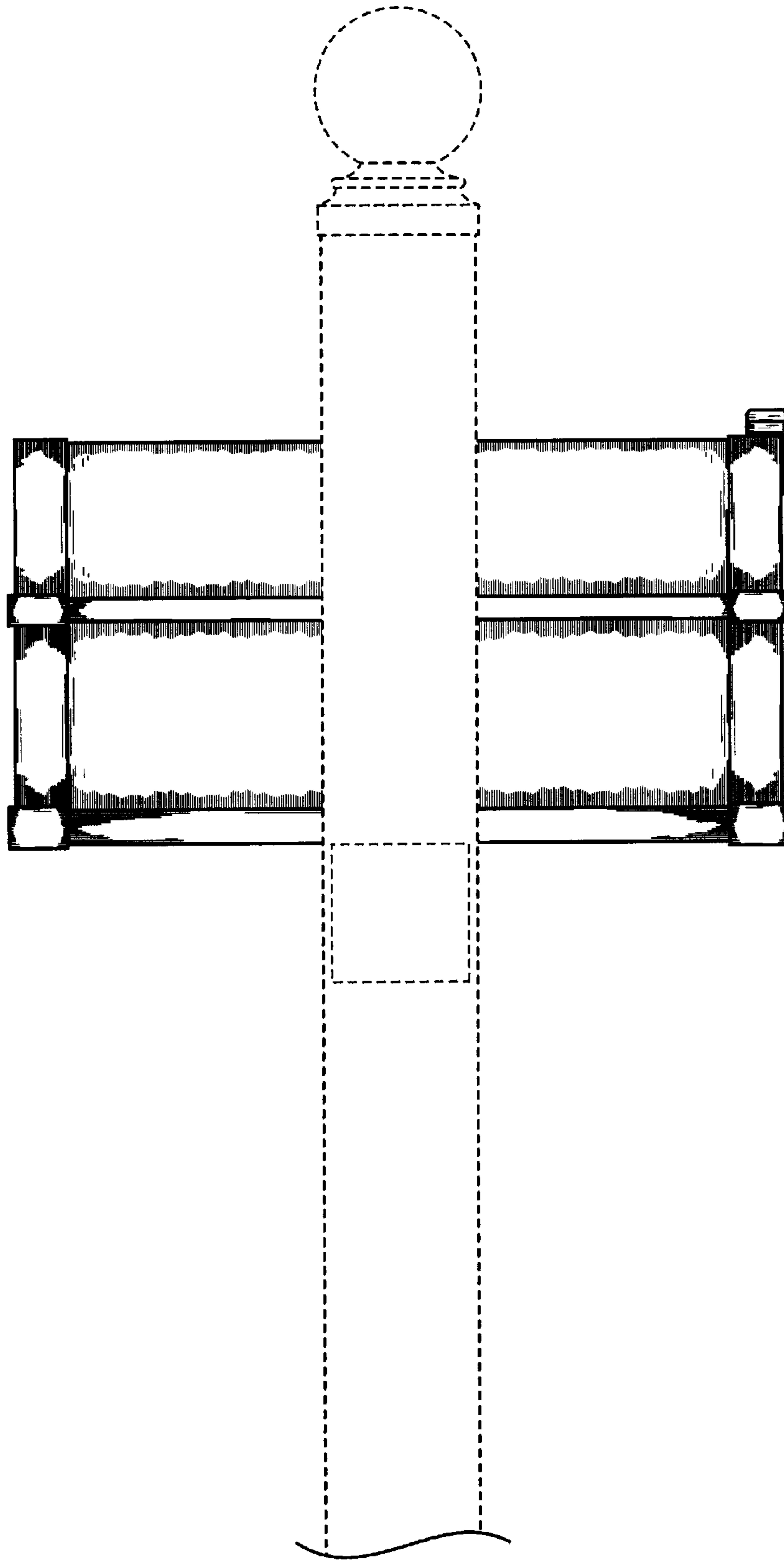


FIG. 4

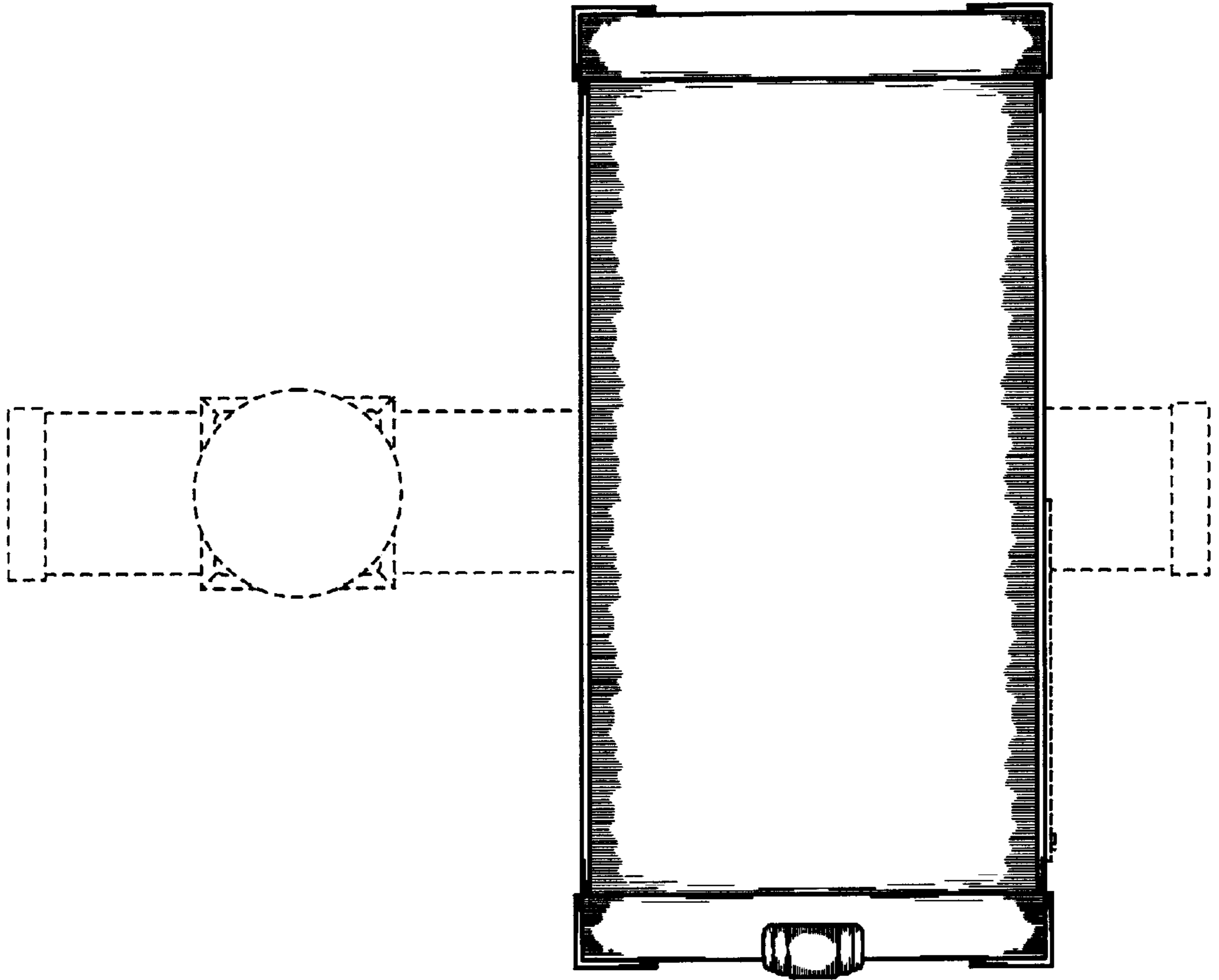


FIG. 5

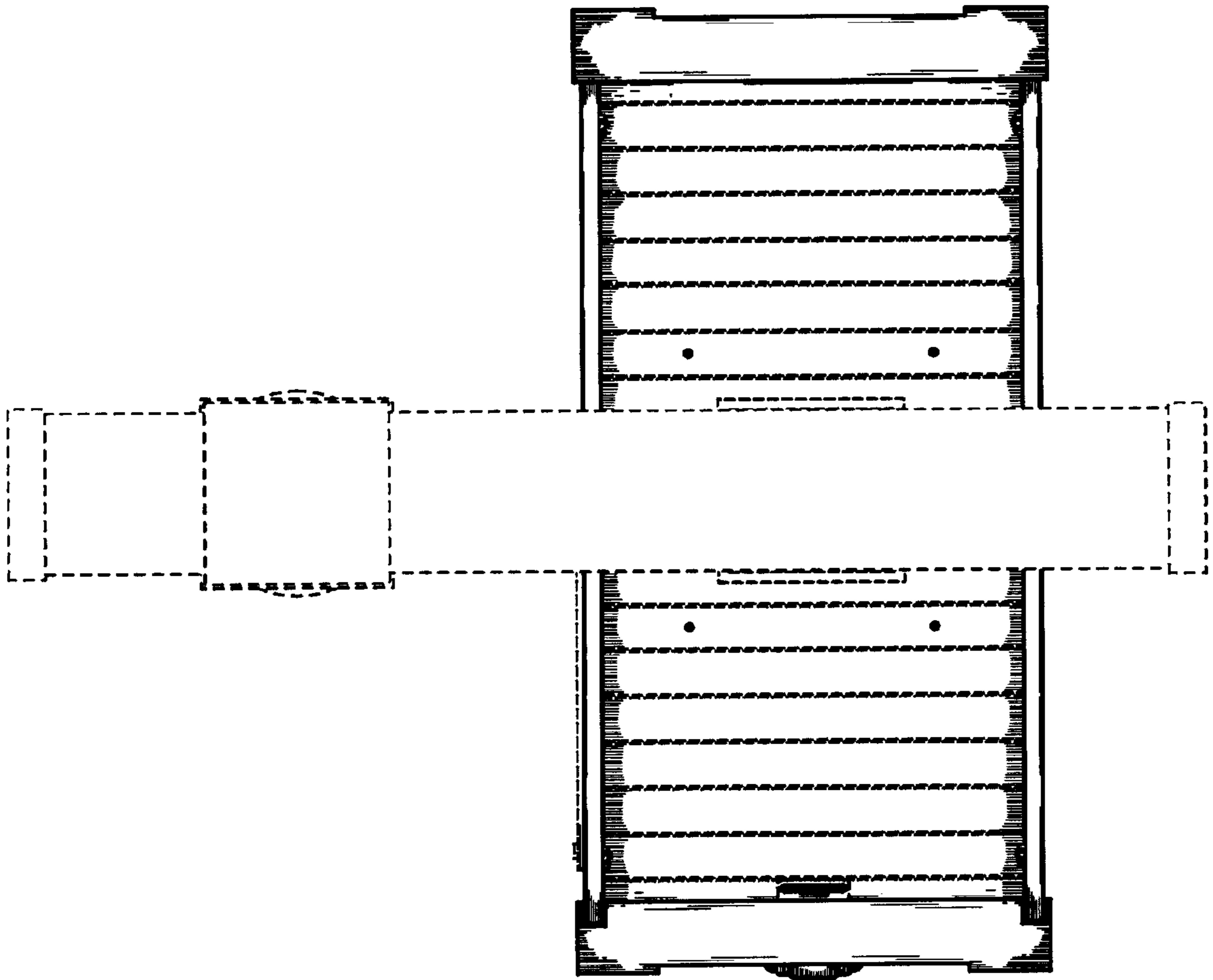


FIG. 6

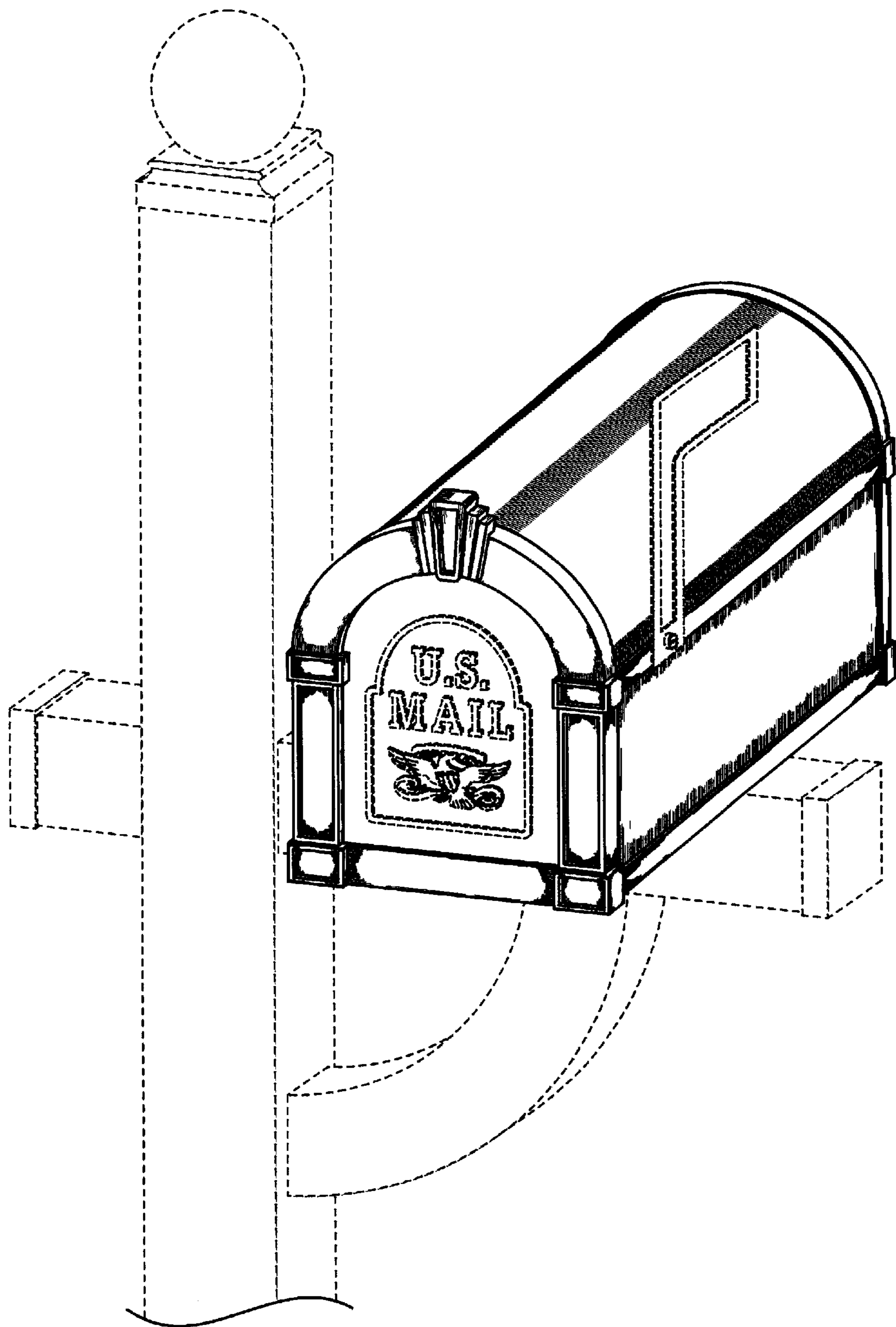


FIG. 7

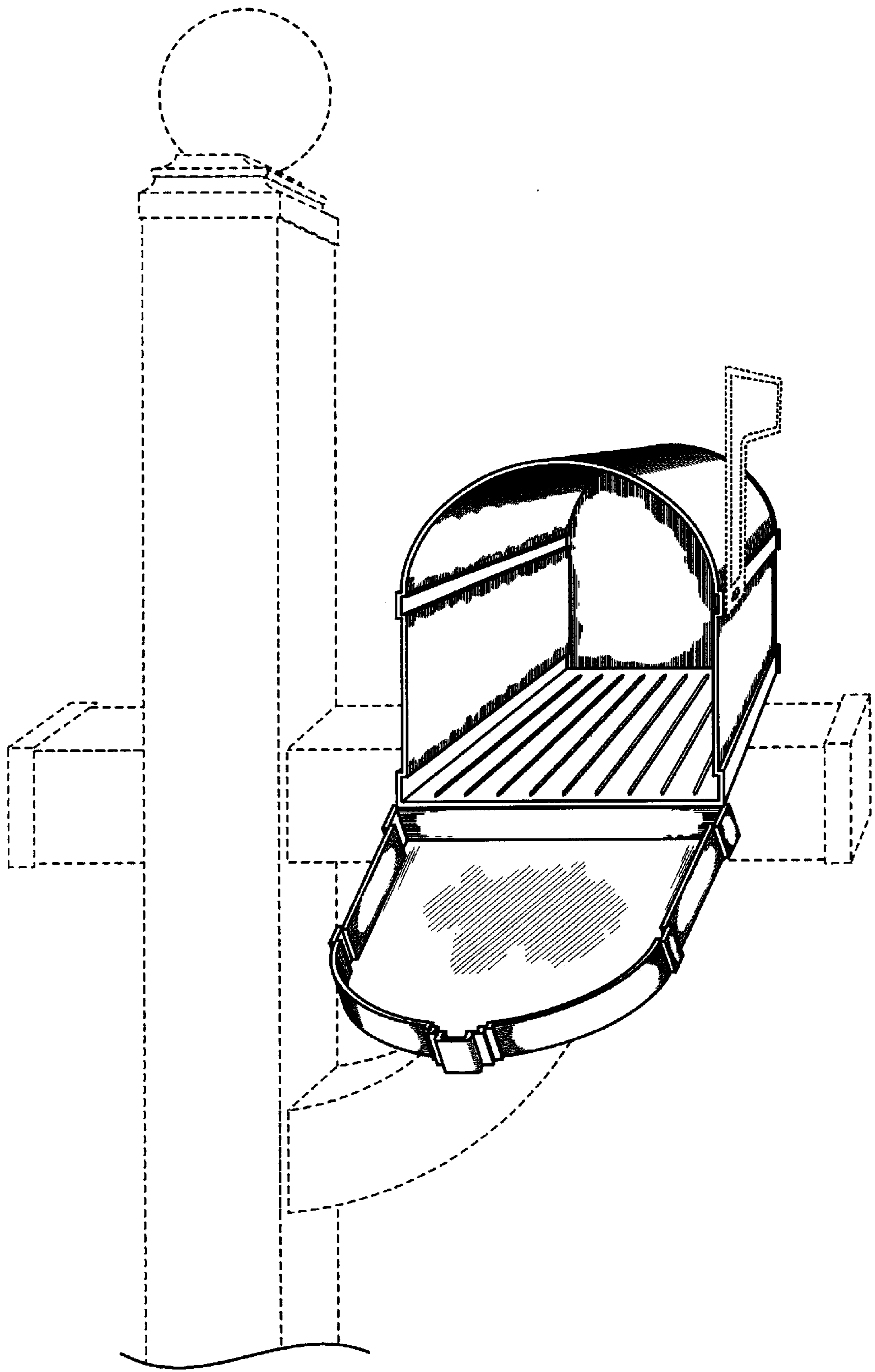


FIG. 8