



US00D445986S

(12) **United States Design Patent**
Stanek et al.

(10) **Patent No.:** **US D445,986 S**

(45) **Date of Patent:** **** Jul. 31, 2001**

(54) **INTERMEDIATE BULK CONTAINER SPILL PALLET**

(75) Inventors: **Lawrence C. Stanek**, Akron; **Douglas M. Horner**, Gates Mills; **Scott R. Janda**, Chagrin Falls; **Timothy D. Reed**, Solon, all of OH (US)

(73) Assignee: **Polymer & Steel Technologies, Inc.**, Eastlake, OH (US)

(**) Term: **14 Years**

(21) Appl. No.: **29/128,894**

(22) Filed: **Aug. 31, 2000**

(51) **LOC (7) Cl.** **09-08**

(52) **U.S. Cl.** **D34/38**

(58) **Field of Search** D34/38; 248/346;
108/51.1, 51.11, 53.1, 53.5, 52.1, 55.3,
56.1, 57.1; D9/455, 456

(56) **References Cited**

U.S. PATENT DOCUMENTS

- D. 333,028 * 2/1993 Lux, Jr. D34/38
- D. 374,324 * 10/1996 Besaw D34/38
- D. 393,518 * 4/1998 Hampel D34/38
- D. 400,681 * 11/1998 Sadr D34/38
- D. 410,786 * 6/1999 Favaron et al. D34/38
- D. 417,539 * 12/1999 Koskinen D34/38

- D. 422,769 * 4/2000 Schmitt D34/38
- D. 424,271 * 5/2000 Goslin et al. D34/38
- D. 437,669 * 2/2001 Blason et al. D34/38 X
- 3,842,534 * 10/1974 Walters et al. 108/51.1
- 3,848,546 * 11/1974 Lawlor 108/52.1
- 6,053,563 * 4/2000 Edgeller et al. 248/346

* cited by examiner

Primary Examiner—Cynthia E. Ramirez

(74) *Attorney, Agent, or Firm*—Pearne & Gordon LLP

(57) **CLAIM**

The ornamental design for an intermediate bulk container spill pallet, as shown and described.

DESCRIPTION

FIG. 1 is a perspective view showing a top, front, and left side of our new design;
 FIG. 2 is a perspective view showing a top, rear, and right side of our new design;
 FIG. 3 is a top plan view thereof;
 FIG. 4 is a front view thereof;
 FIG. 5 is a right side elevational view, the left side elevational view being a mirror image thereof; and,
 FIG. 6 is a rear elevational view thereof.

The surface(s) or portion(s) of the article not shown in the drawings or described in the specification form(s) no part of the claimed design.

1 Claim, 3 Drawing Sheets

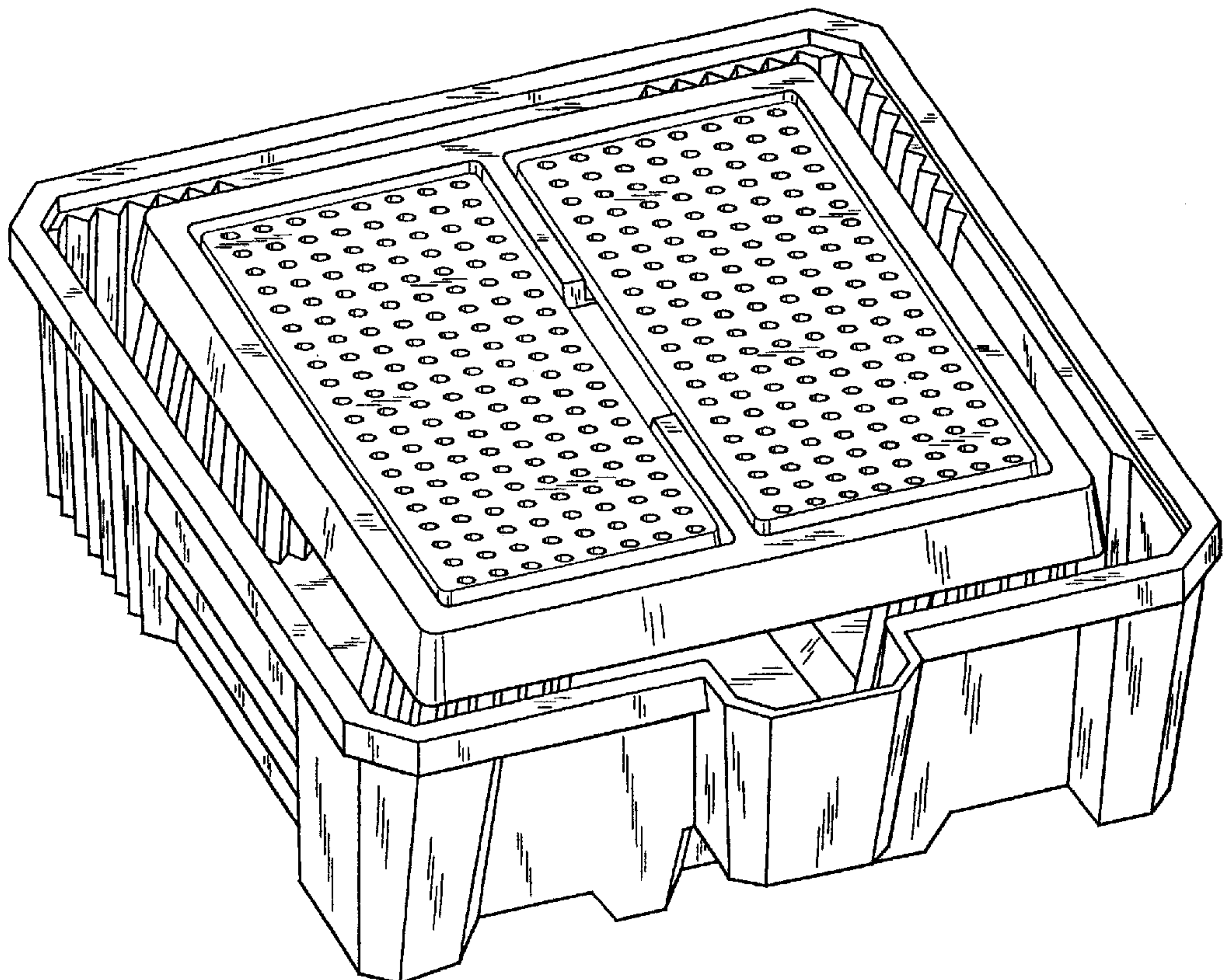


FIG. 1

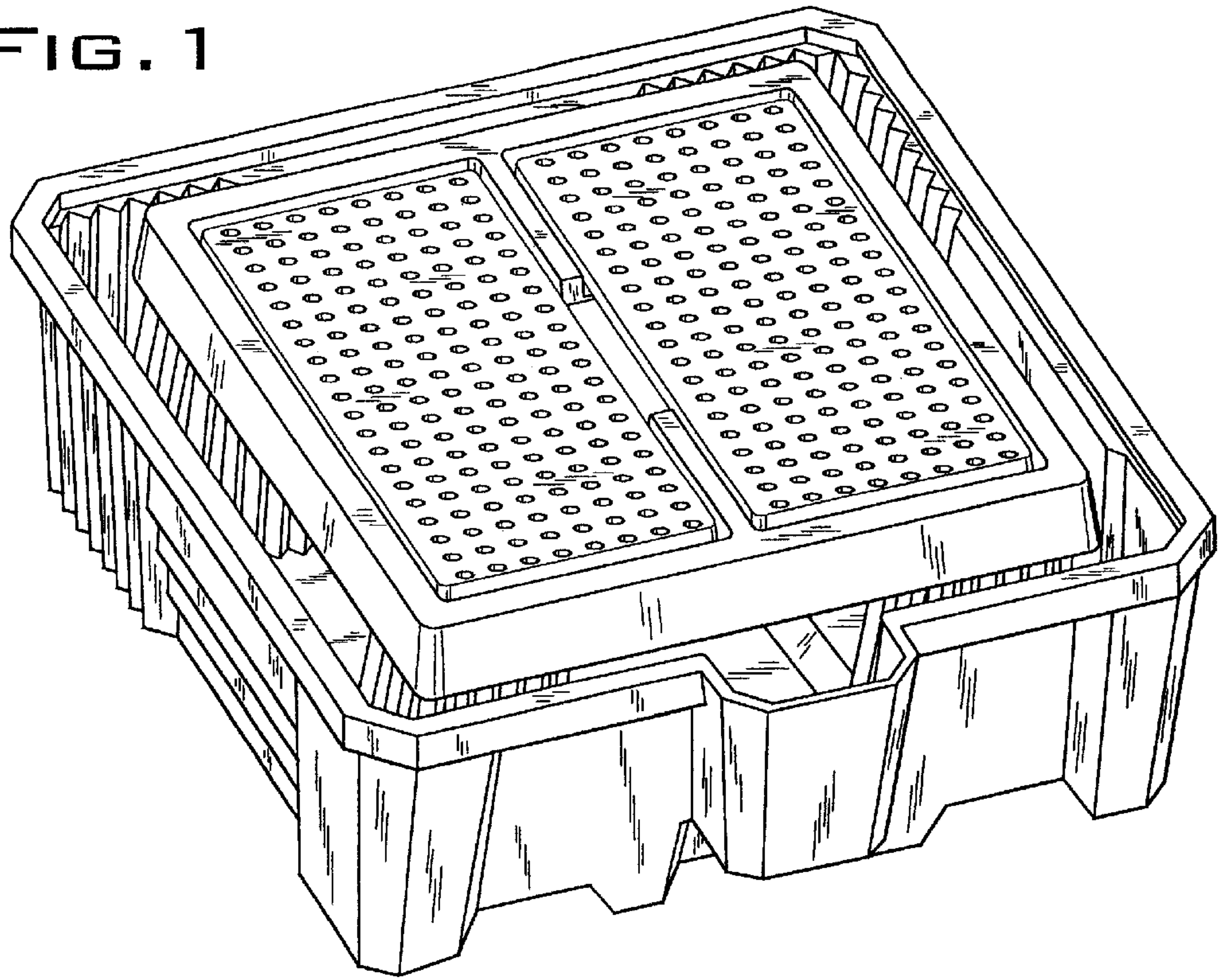
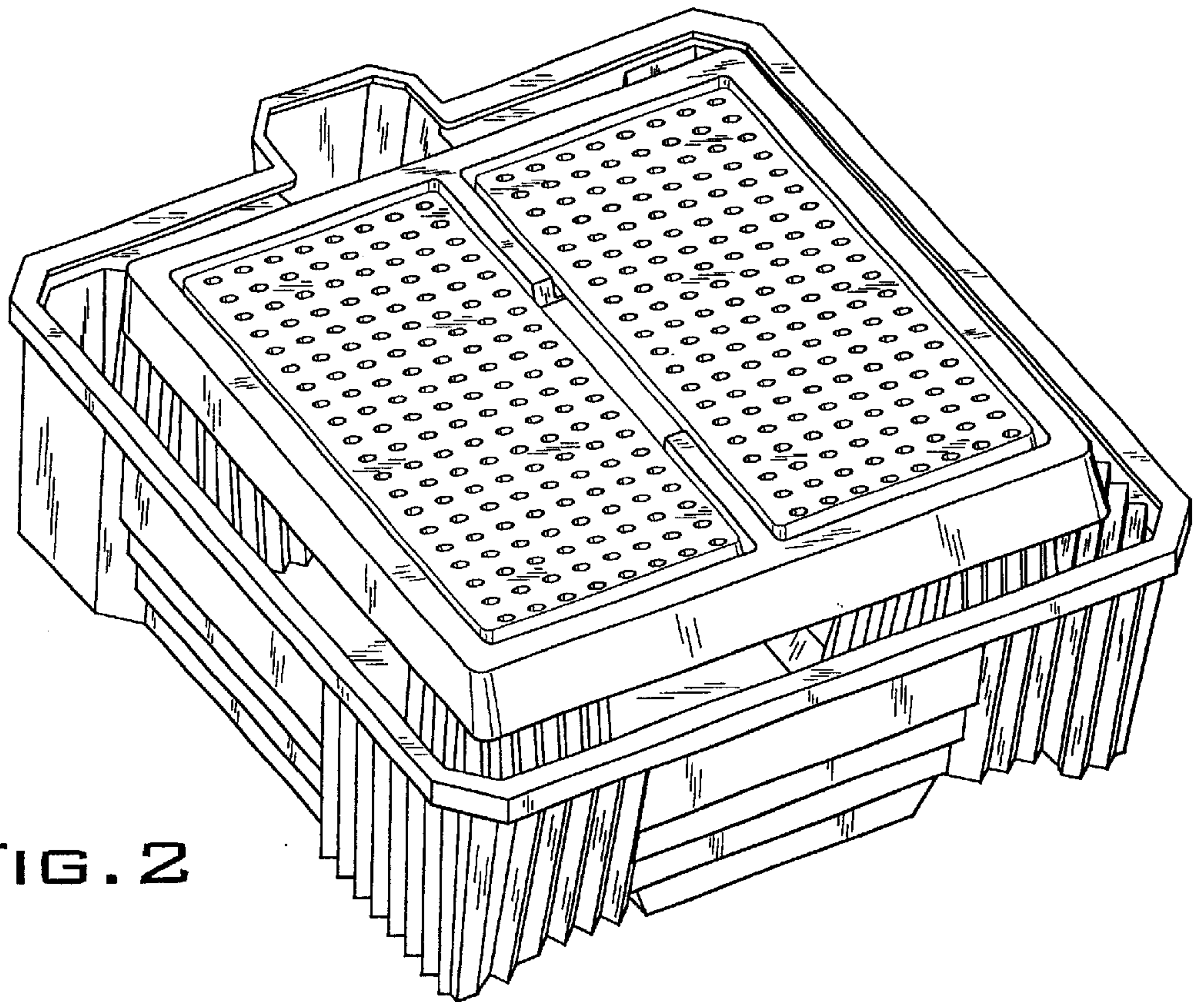


FIG. 2



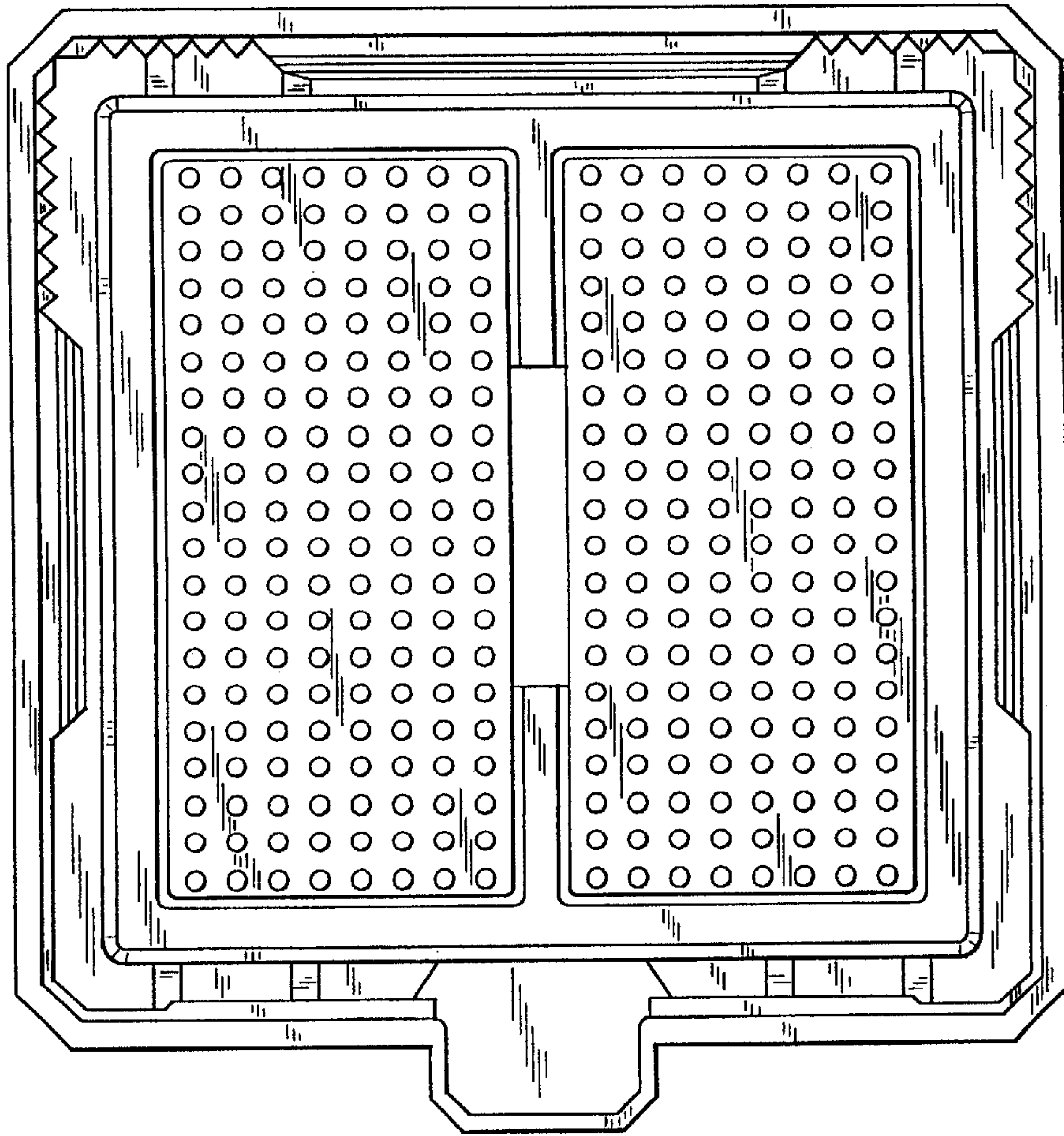


FIG. 3

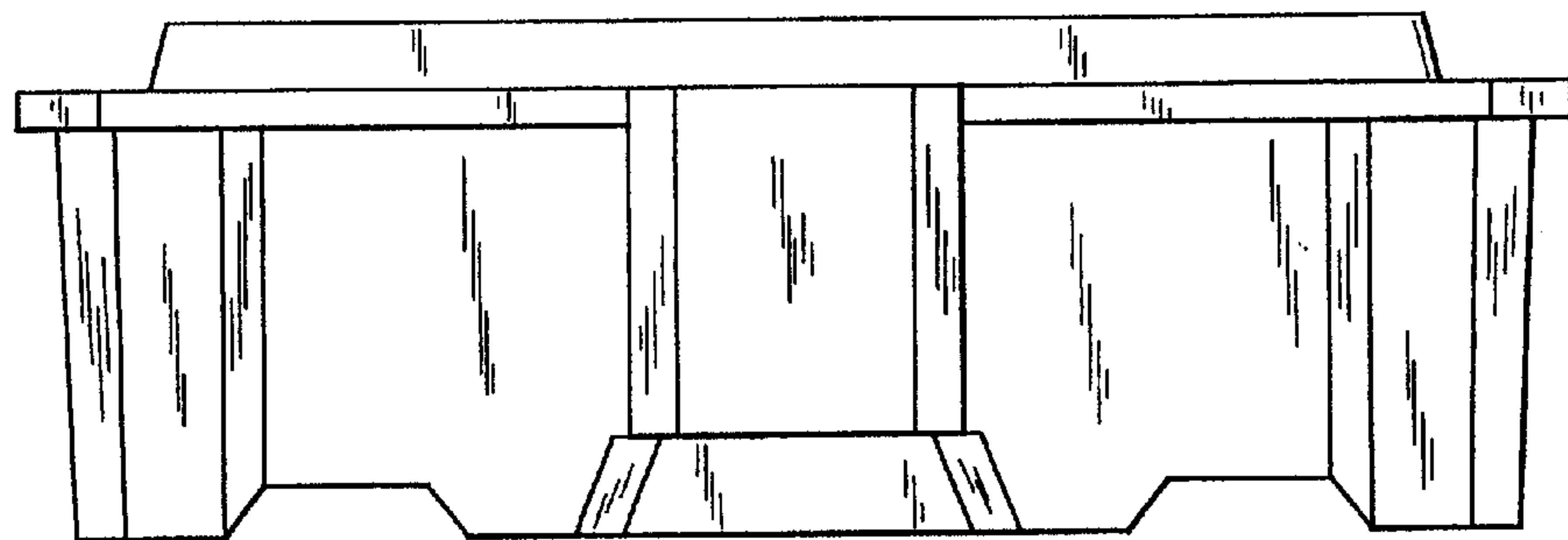


FIG. 4

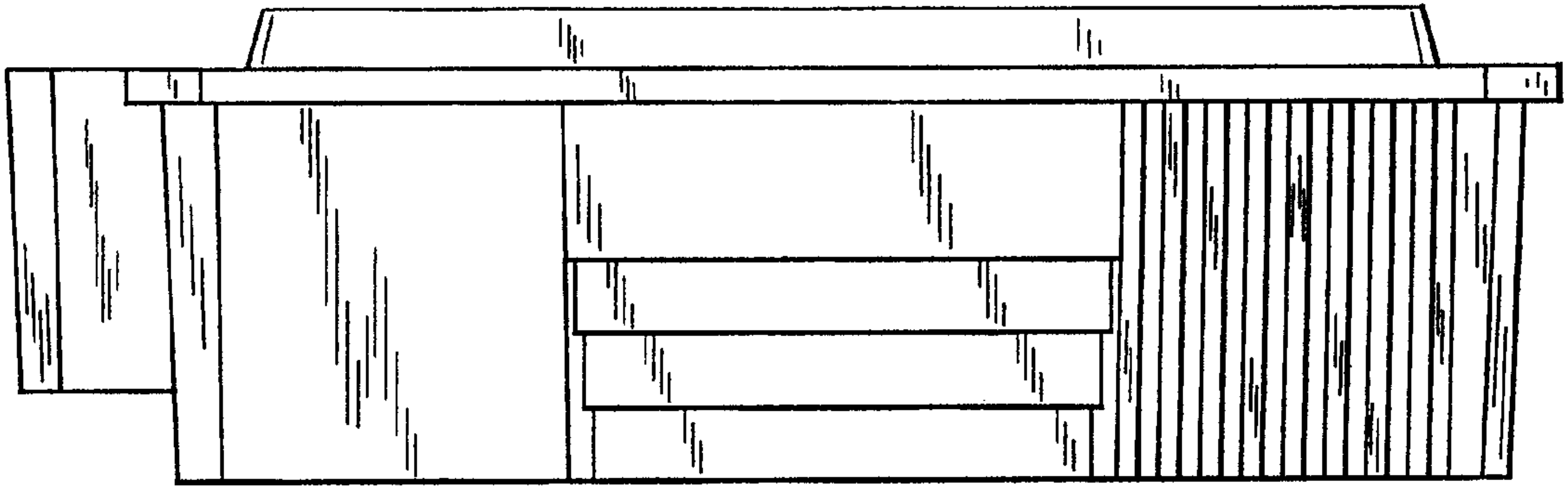


FIG. 5

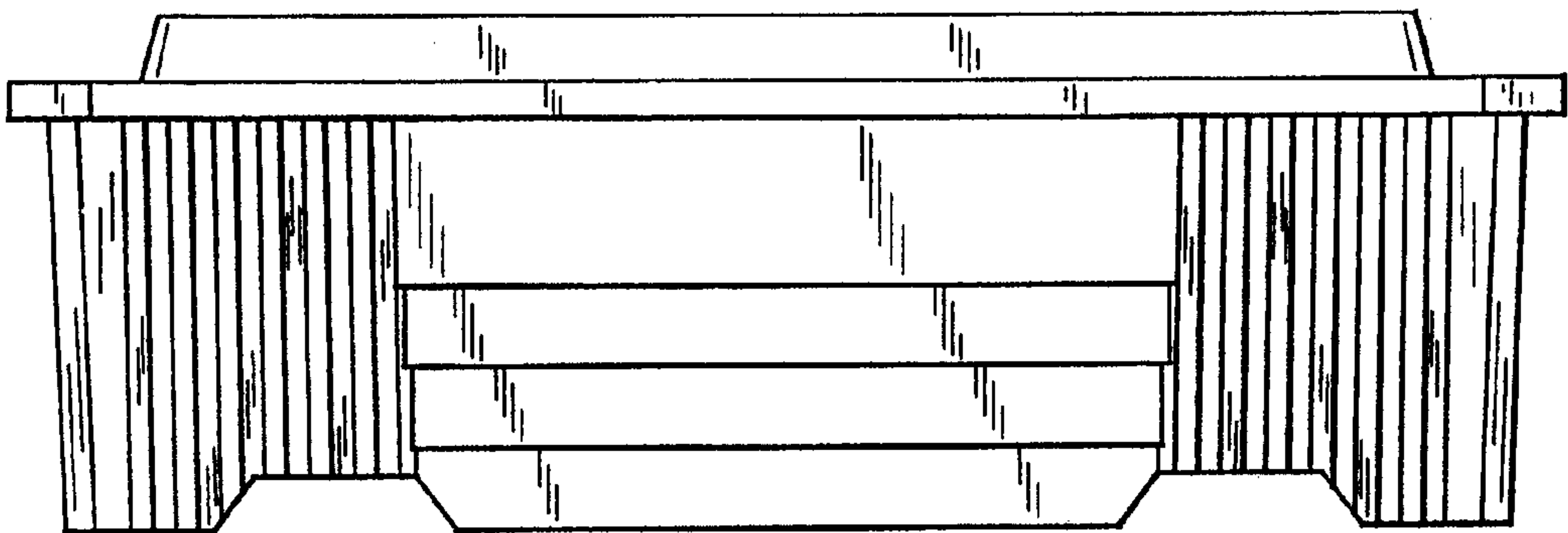


FIG. 6