



US00D445985S

(12) **United States Design Patent**
Paxton

(10) **Patent No.:** **US D445,985 S**

(45) **Date of Patent:** **** Jul. 31, 2001**

- (54) **PALLET**
- (75) Inventor: **Maurice M. Paxton**, Atlanta, GA (US)
- (73) Assignee: **Georgia Environmental Marketing Group, LLC**, Atlanta, GA (US)
- (**) Term: **14 Years**
- (21) Appl. No.: **29/111,596**
- (22) Filed: **Sep. 30, 1999**
- (51) **LOC (7) Cl.** **09-08**
- (52) **U.S. Cl.** **D34/38**
- (58) **Field of Search** D34/38; 108/51.1, 108/56.1, 901, 56.3, 51

3,878,796	4/1975	Morrison et al.	108/56
3,911,182	* 10/1975	Lieberman	108/51.11
3,994,241	11/1976	Evans	108/53.5
5,176,090	* 1/1993	Roberts et al.	108/51.3
5,365,859	11/1994	Schrage	108/56.1
5,402,735	4/1995	DeJean	108/51.1
5,417,167	5/1995	Sadr	108/51.1
5,425,314	6/1995	MacFarland	108/51.3
5,427,019	* 6/1995	Moorman	108/56.1
5,440,998	8/1995	Morgan et al.	108/51.1
5,456,189	10/1995	Bell Isle	108/51.1
5,458,069	10/1995	Stolzman	108/56.3
5,579,701	12/1996	Fook Wah	108/56.1
5,778,801	* 7/1998	Delacour	108/901
5,816,173	* 10/1998	Warnerford	108/51.1
5,829,364	* 11/1998	Urbach	108/56.1
5,836,255	11/1998	Uitz	108/57.25
5,918,551	7/1999	Liu	108/55.1

(56) **References Cited**

U.S. PATENT DOCUMENTS

D. 337,406	* 7/1993	Herring et al.	D34/38
D. 357,108	* 4/1995	Hutchison	D34/38
D. 370,762	* 6/1996	Young, Jr. et al.	D34/38
D. 370,764	* 6/1996	Johansson	D34/38
D. 379,716	* 6/1997	Zipperle et al.	D34/38
D. 395,117	* 6/1998	Persson	D34/38
D. 399,631	* 10/1998	Campbell	D34/38
D. 417,765	* 12/1999	Morello	D34/38
D. 422,768	* 4/2000	Gunn	D34/38
D. 422,769	* 4/2000	Schmitt	D34/38
3,626,869	* 12/1971	Colas	108/51.1
3,677,200	7/1972	Coccagna et al.	108/58
3,707,929	* 1/1973	Lauffer	108/51.1
3,726,236	* 4/1973	Colas	108/51.1
3,795,206	3/1974	Utz	108/51

* cited by examiner

Primary Examiner—Cynthia E Ramirez
(74) *Attorney, Agent, or Firm*—Sutherland Asbill & Brennan, LLP

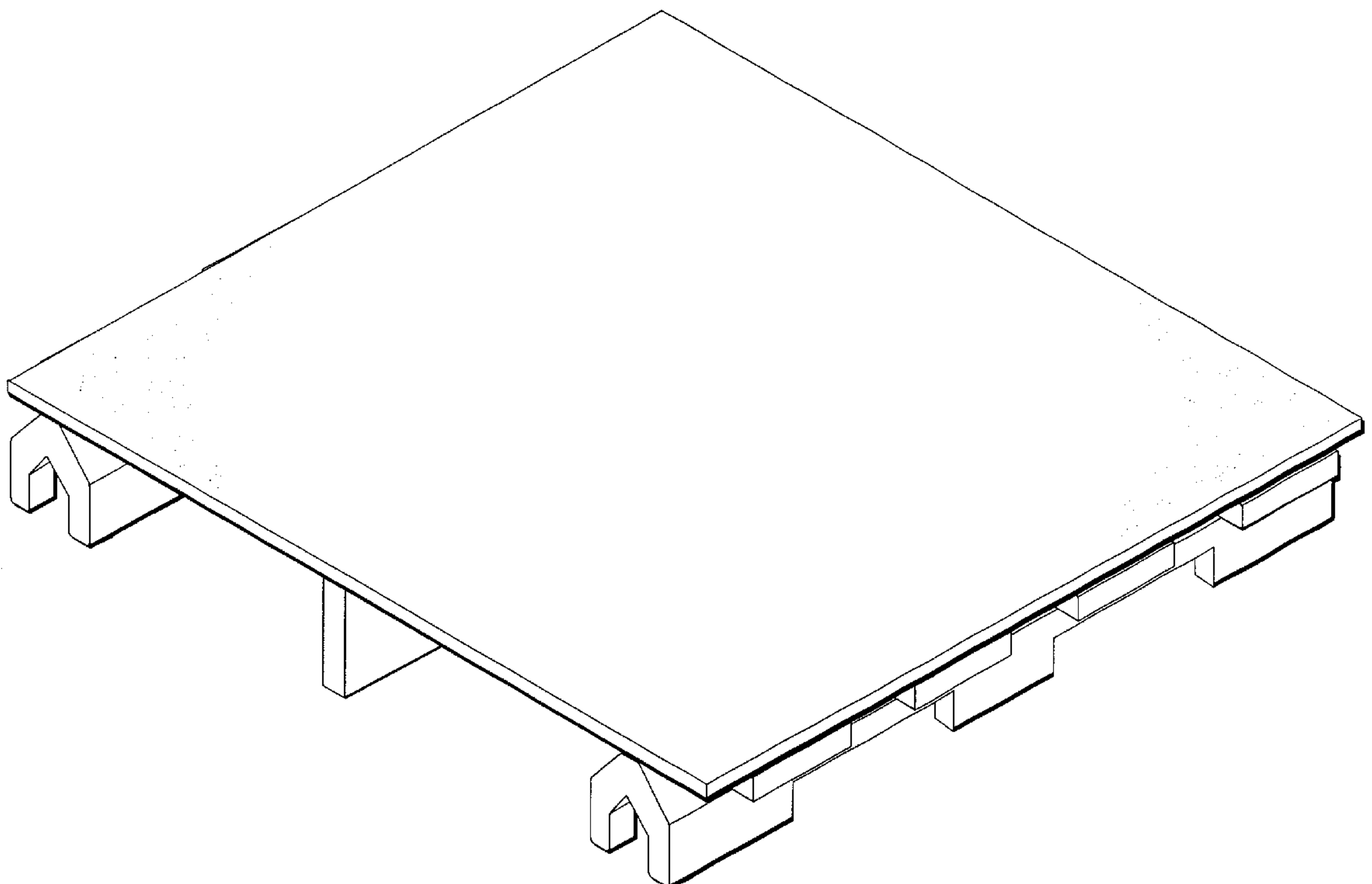
(57) **CLAIM**

The ornamental design for a pallet, as shown.

DESCRIPTION

FIG. 1 is a perspective view of a pallet showing my new design;
FIG. 2 is an exploded view thereof;
FIG. 3 is a front plan view thereof; and,
FIG. 4 is a side plan view thereof.

1 Claim, 3 Drawing Sheets



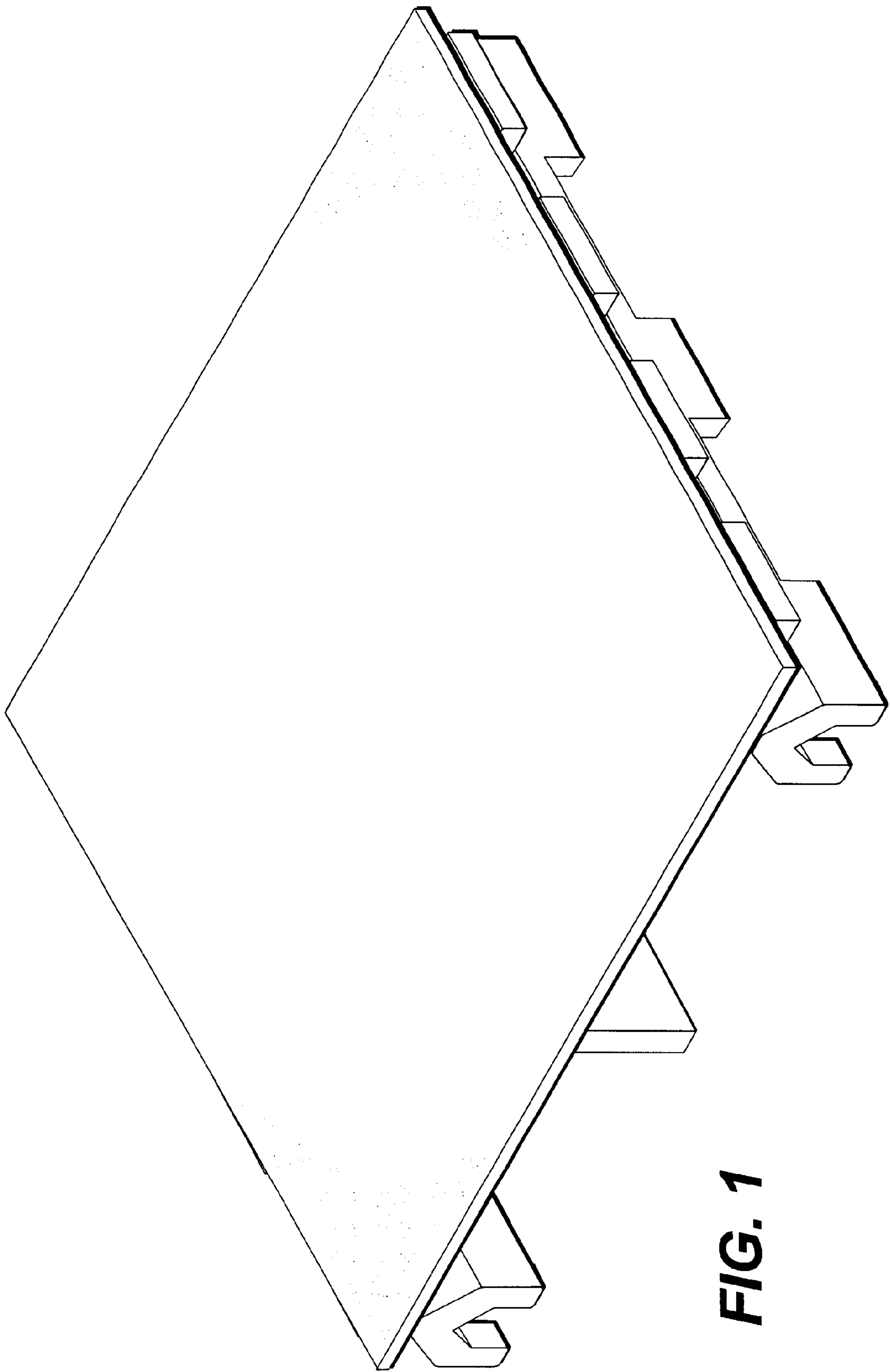


FIG. 1

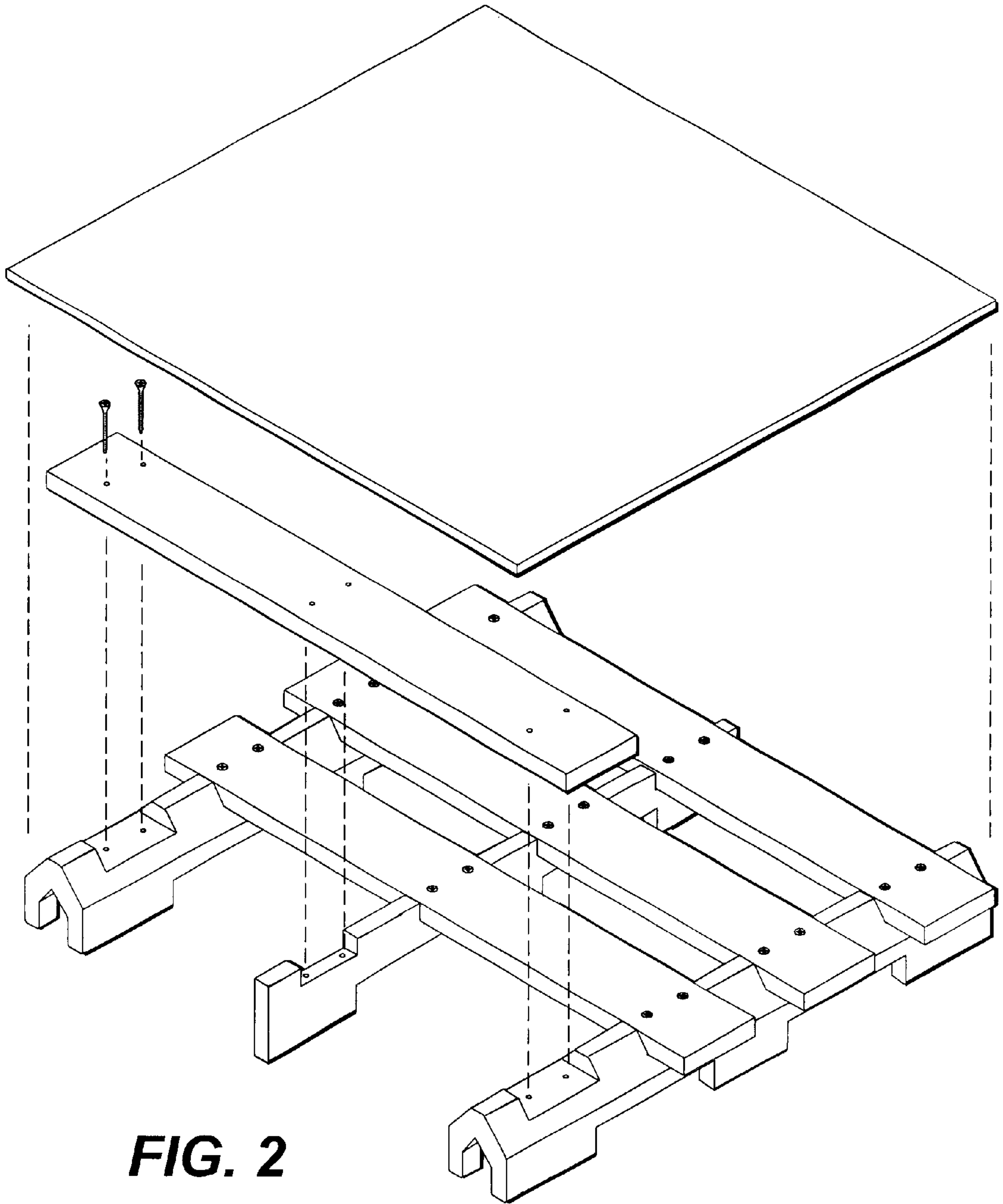


FIG. 2

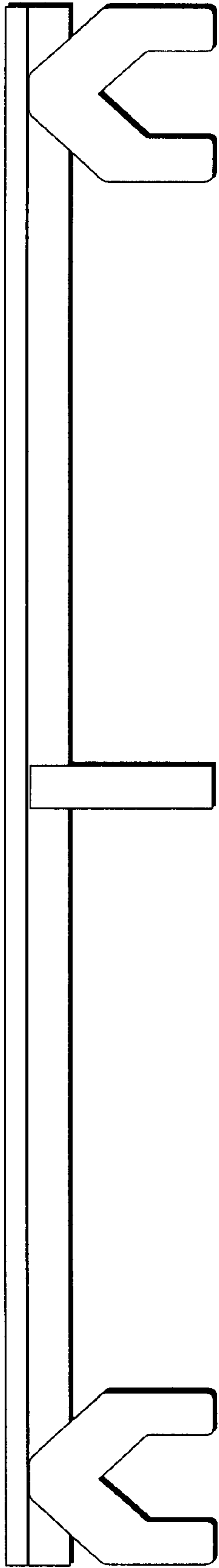


FIG. 3

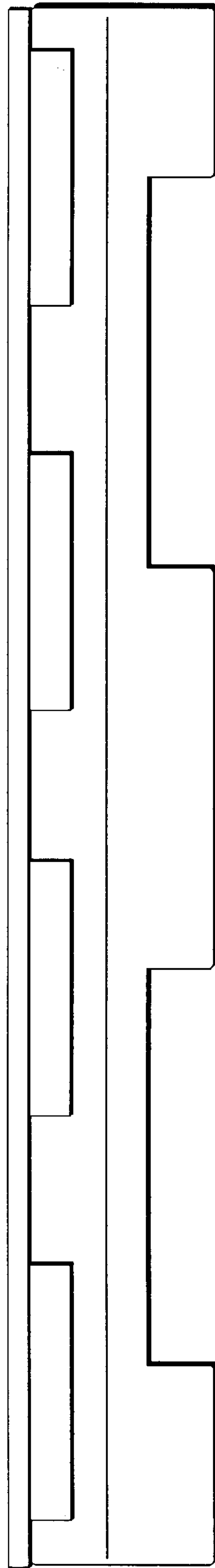


FIG. 4