



US00D445975S

(12) **United States Design Patent**
Stratford

(10) **Patent No.:** **US D445,975 S**

(45) **Date of Patent:** **** Jul. 31, 2001**

(54) **BASE UNIT FOR A HAND HELD VACUUM CLEANER**

(75) **Inventor:** **Mark Stratford, Darlington (GB)**

(73) **Assignee:** **Black & Decker, Inc., Newark, DE (US)**

(**) **Term:** **14 Years**

(21) **Appl. No.:** **29/115,884**

(22) **Filed:** **Dec. 22, 1999**

(30) **Foreign Application Priority Data**

Aug. 27, 1999 (GB) 2086232

(51) **LOC (7) Cl.** **15-05**

(52) **U.S. Cl.** **D32/31; D13/108**

(58) **Field of Search** **D13/107, 108, D13/118; D32/18, 31; 320/110-115; 15/323, 344**

(56) **References Cited**

U.S. PATENT DOCUMENTS

D. 210,885 * 4/1968 Eberhart D13/108
D. 215,303 * 9/1969 Carpenter D13/108

D. 284,958 * 8/1986 Tsuji D13/108
D. 289,631 * 5/1987 Osit D13/108
D. 292,912 * 11/1987 Muller et al. D13/108
D. 337,303 * 7/1993 Naft et al. D13/108
4,225,814 * 9/1980 Gantz et al. 320/115

* cited by examiner

Primary Examiner—Joel Sincavage

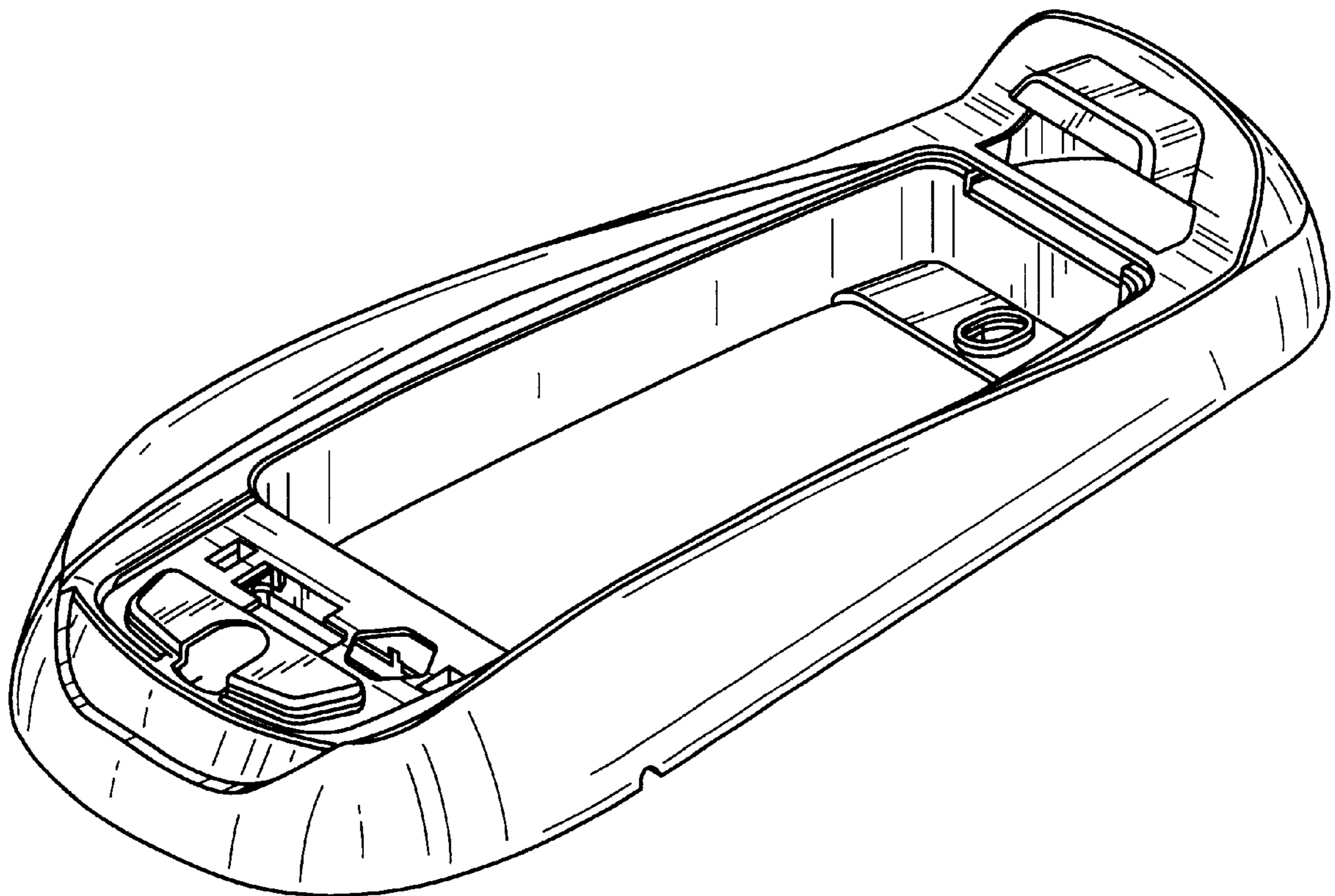
(57) **CLAIM**

The ornamental design for a base unit for a hand held vacuum cleaner, as shown and described.

DESCRIPTION

FIG. 1 is a perspective view of a base unit taken from above, front and one side;
FIG. 2 is a perspective view thereof, taken from below and the side illustrated in FIG. 1;
FIG. 3 is a top plan view thereof;
FIG. 4 is a side elevational view thereof, taken from the side illustrated in FIG. 1;
FIG. 5 is a side elevational view thereof, taken from the side opposite that illustrated in FIG. 1;
FIG. 6 is front elevational view thereof; and,
FIG. 7 is a rear elevational view thereof.

1 Claim, 5 Drawing Sheets



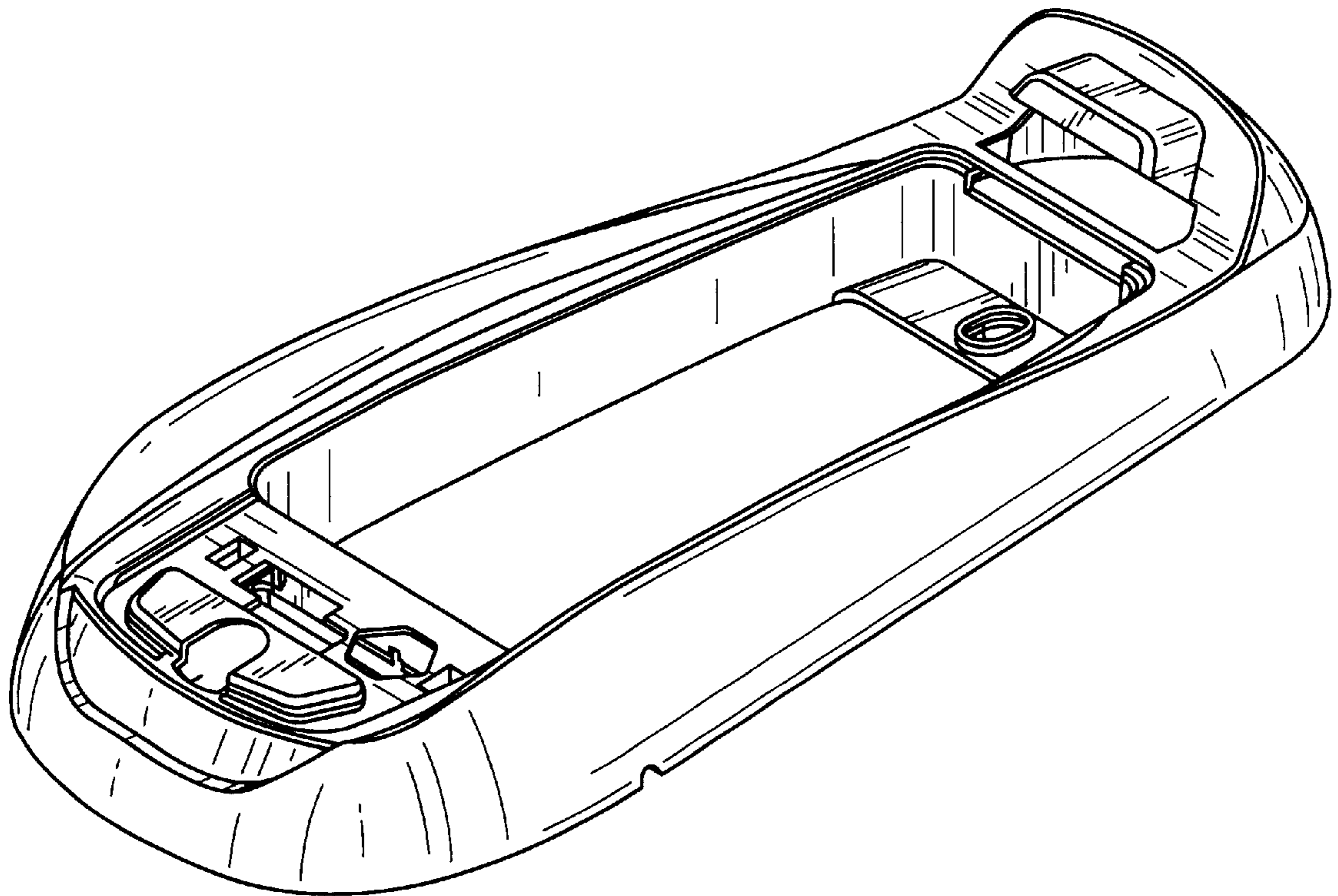


FIG. 1

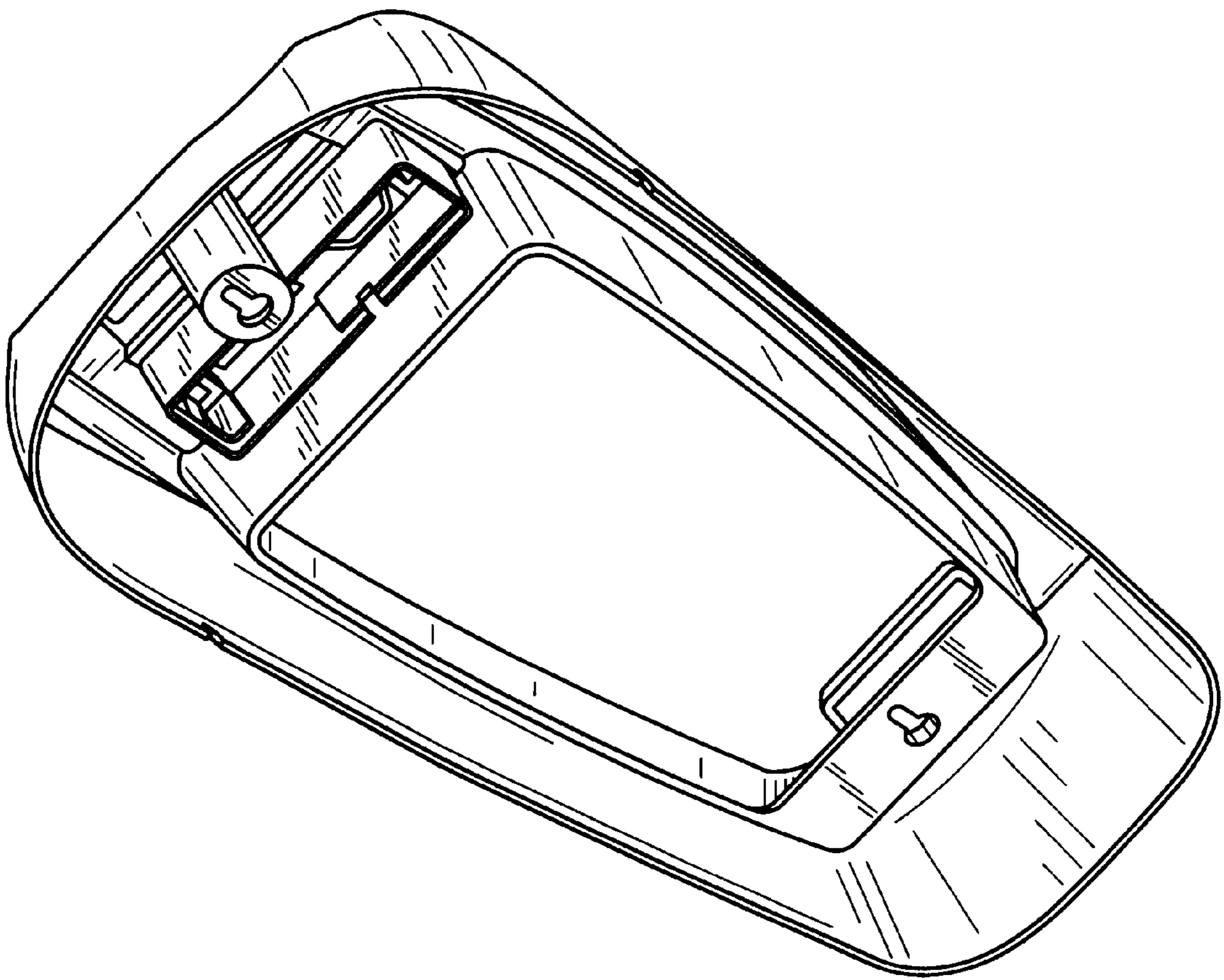


FIG. 2

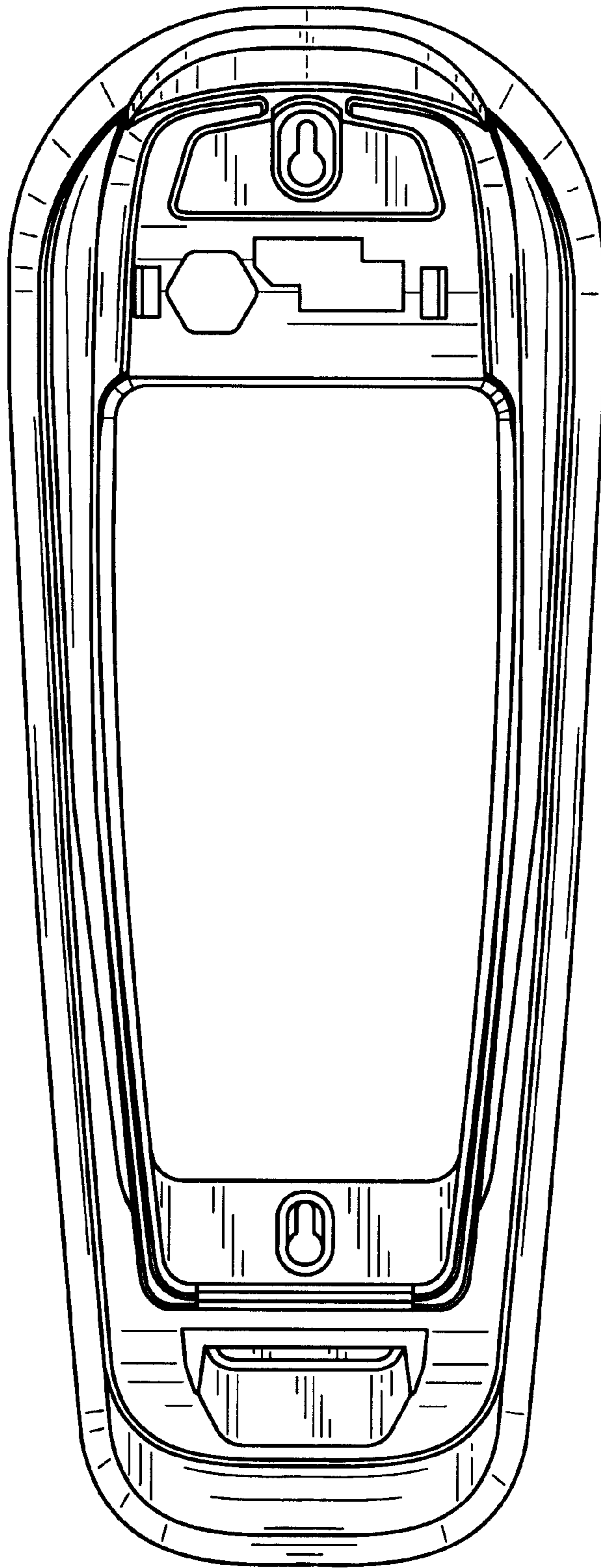


FIG. 3

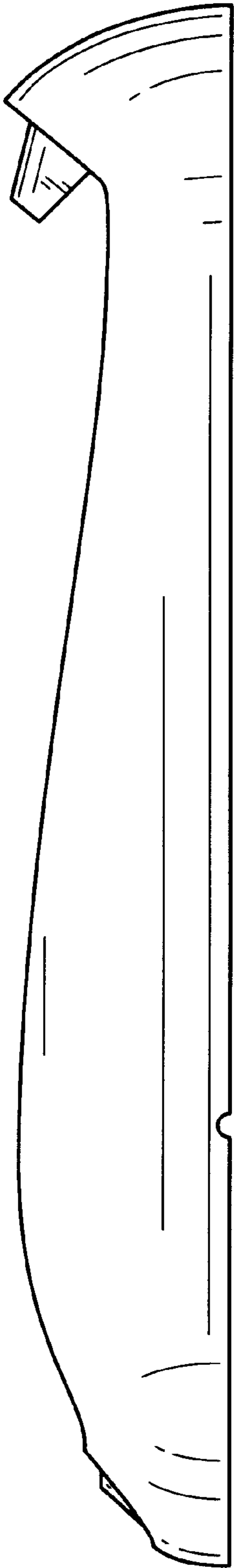


FIG. 4

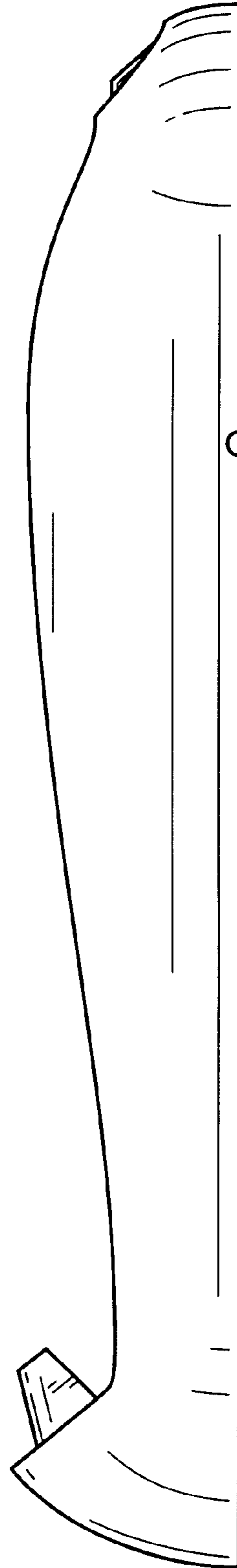


FIG. 5

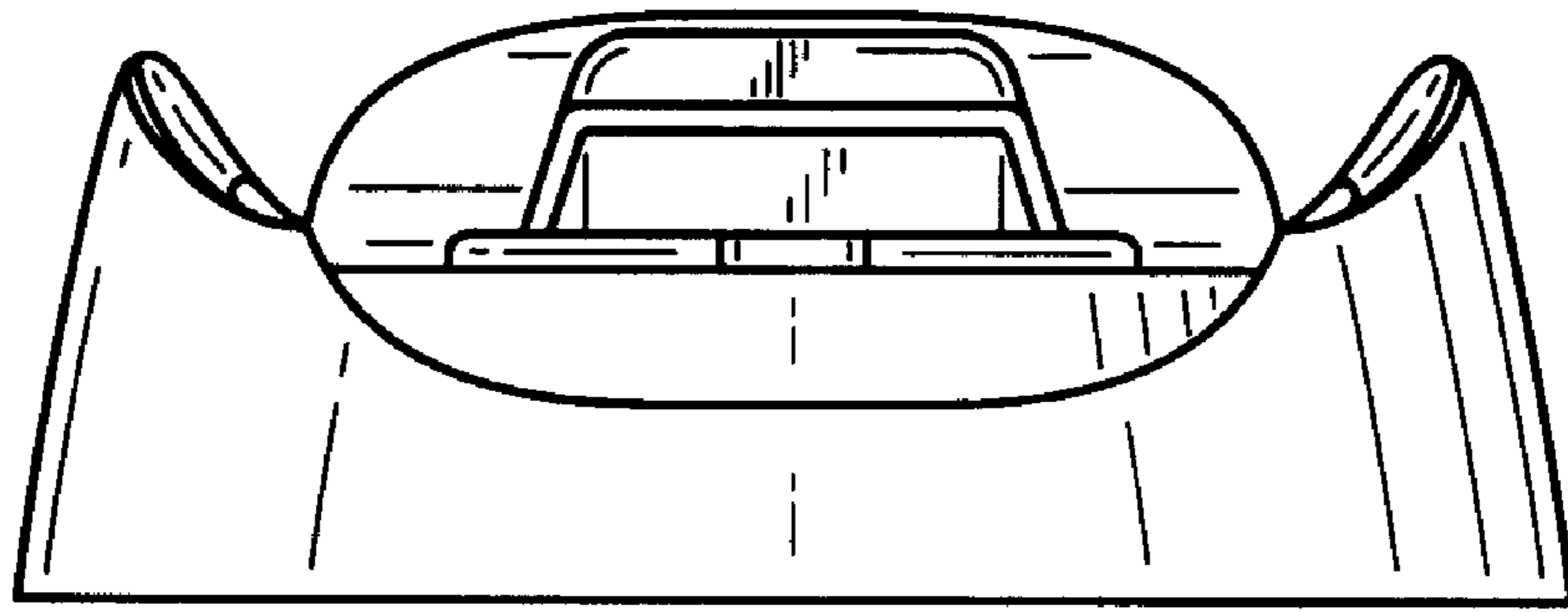


FIG. 6

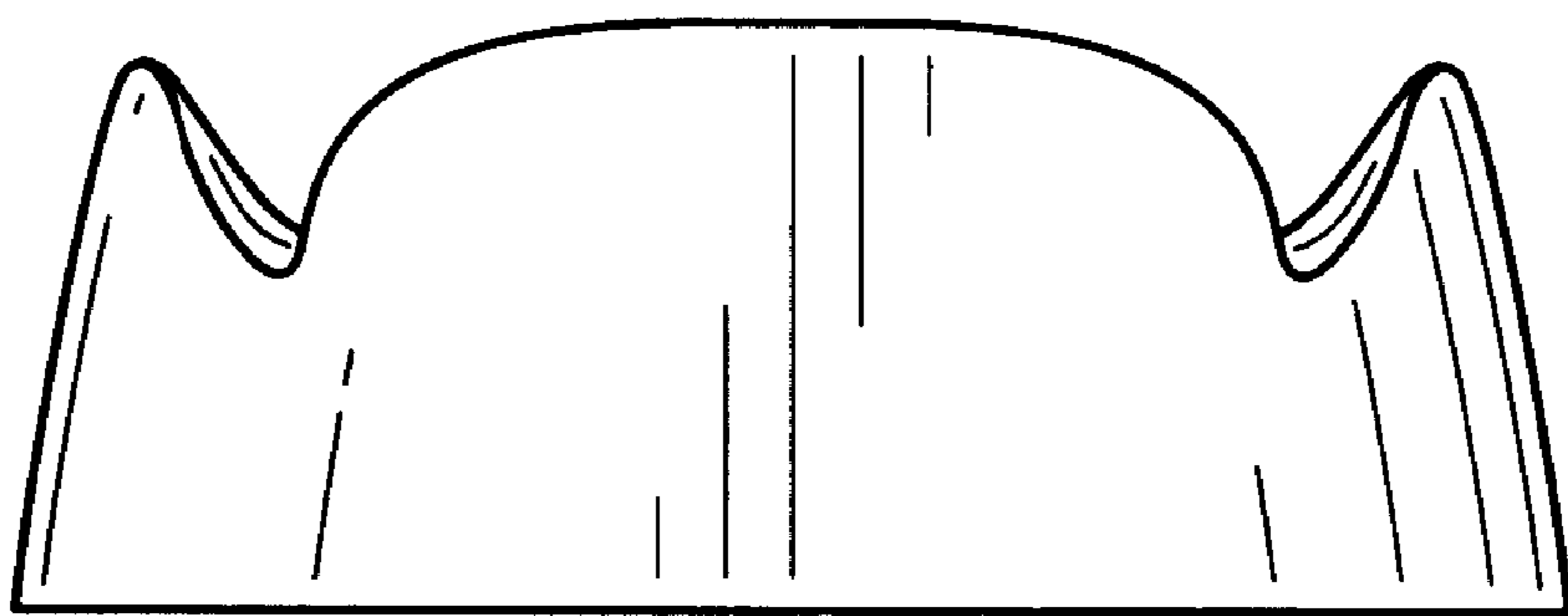


FIG. 7