



US00D445973S

(12) **United States Design Patent**
Chen

(10) **Patent No.:** **US D445,973 S**

(45) **Date of Patent:** **** Jul. 31, 2001**

(54) **STEAM CLEANER**

(76) **Inventor:** **Chung Ming Chen**, 7F-1, No.245,
Sec.3, Roosevelt Rd., Taipie (TW)

(**) **Term:** **14 Years**

(21) **Appl. No.:** **29/117,136**

(22) **Filed:** **Jan. 18, 2000**

(51) **LOC (7) Cl.** **15-05**

(52) **U.S. Cl.** **D32/21**

(58) **Field of Search** D32/17-18, 21,
D32/31; D28/12; 219/222; 15/320, 329,
344, 352-353, 327.1-327.4, 327.6, 327.7;
38/77.1, 77.5; 68/222; 392/404, 405; 601/6

(56) **References Cited**

U.S. PATENT DOCUMENTS

- D. 338,989 * 8/1993 Ambrosiano D32/15
- D. 373,665 * 9/1996 Nakamura et al. D32/21
- D. 394,527 * 5/1998 Pochopien et al. D32/21
- D. 399,617 * 10/1998 Fujita D32/21
- D. 421,165 * 2/2000 Joiner et al. D32/35

- D. 423,156 * 4/2000 Joiner et al. D32/35
- D. 430,366 * 8/2000 Sato et al. D32/21
- 5,749,120 * 5/1998 Amoretti 15/339

* cited by examiner

Primary Examiner—Ruth McInroy

(74) *Attorney, Agent, or Firm*—Dougherty & Troxell

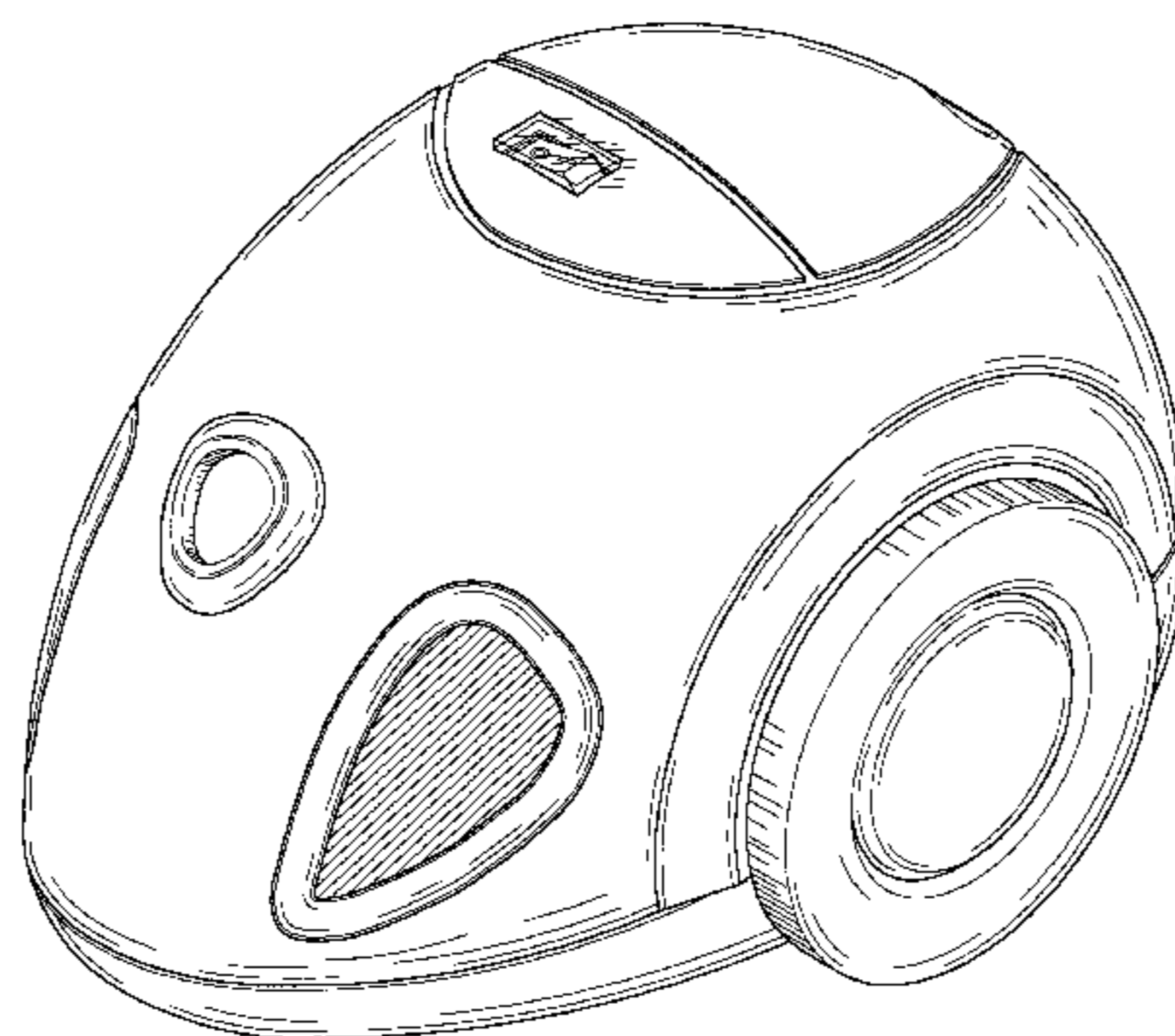
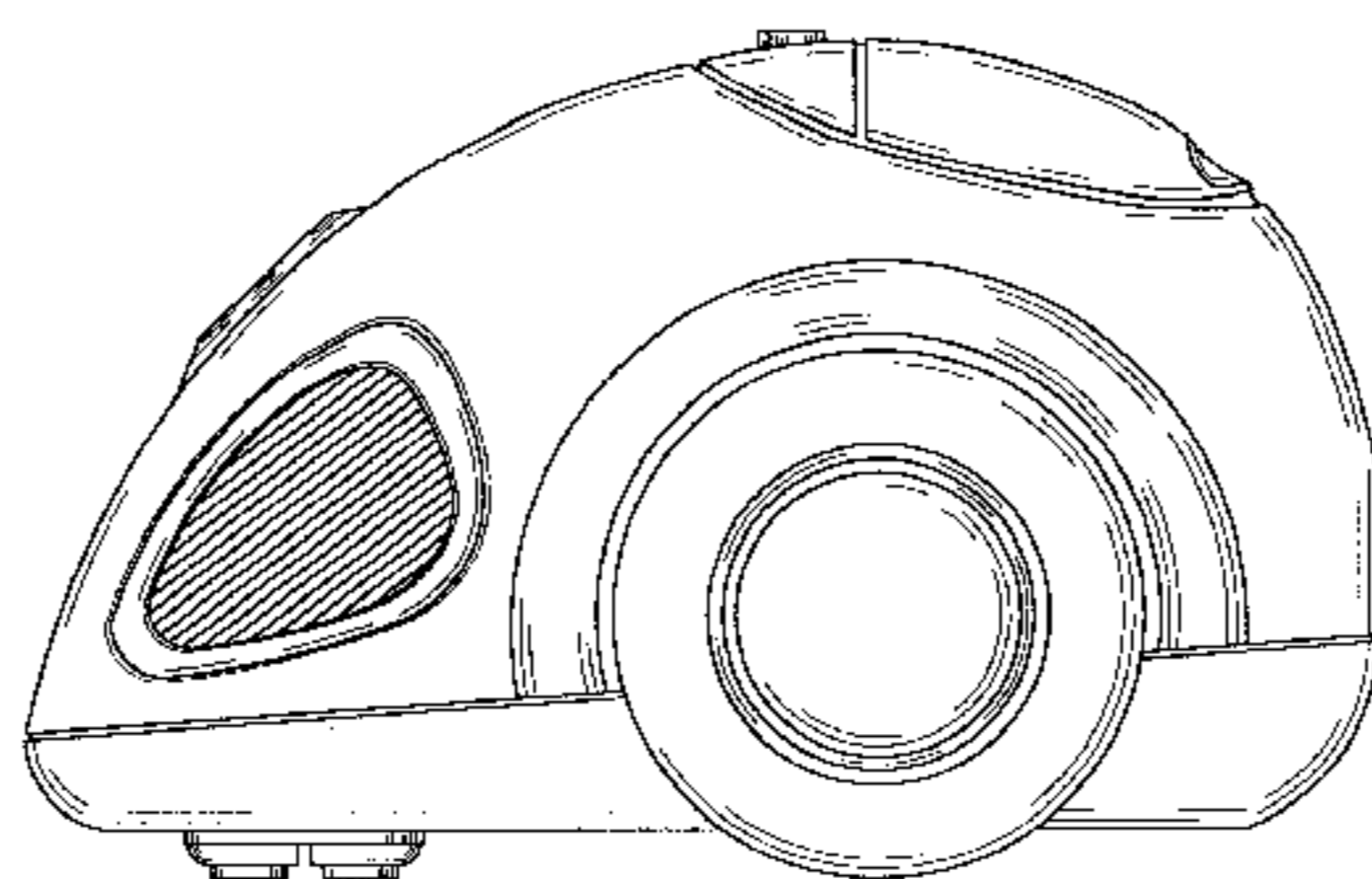
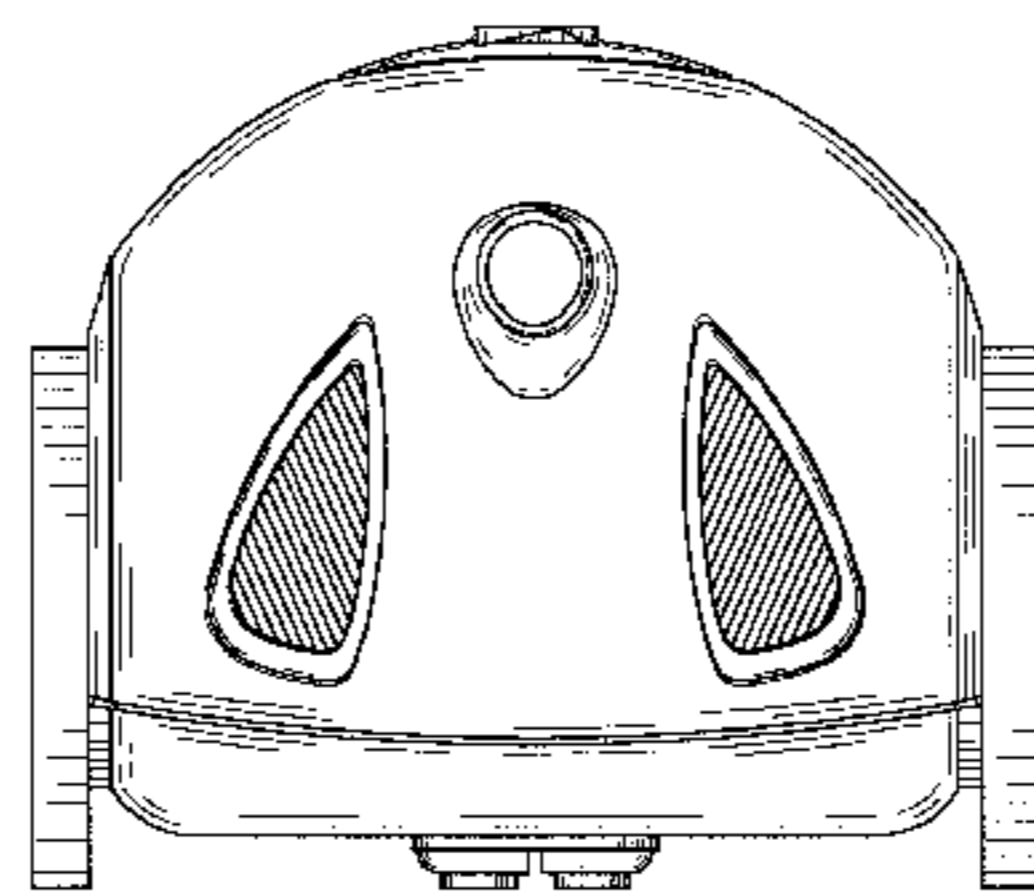
(57) **CLAIM**

The ornamental design for a steam cleaner, as shown and described.

DESCRIPTION

FIG. 1 is a front elevational view of a steam cleaner showing my design;
 FIG. 2 is a rear elevational view thereof;
 FIG. 3 is a left side elevational view thereof;
 FIG. 4 is a right side elevational view thereof;
 FIG. 5 is a top plan view thereof;
 FIG. 6 is a bottom plan view thereof;
 FIG. 7 is a perspective view thereof; and,
 FIG. 8 is a perspective view thereof with the top lid in an open position.

1 Claim, 5 Drawing Sheets



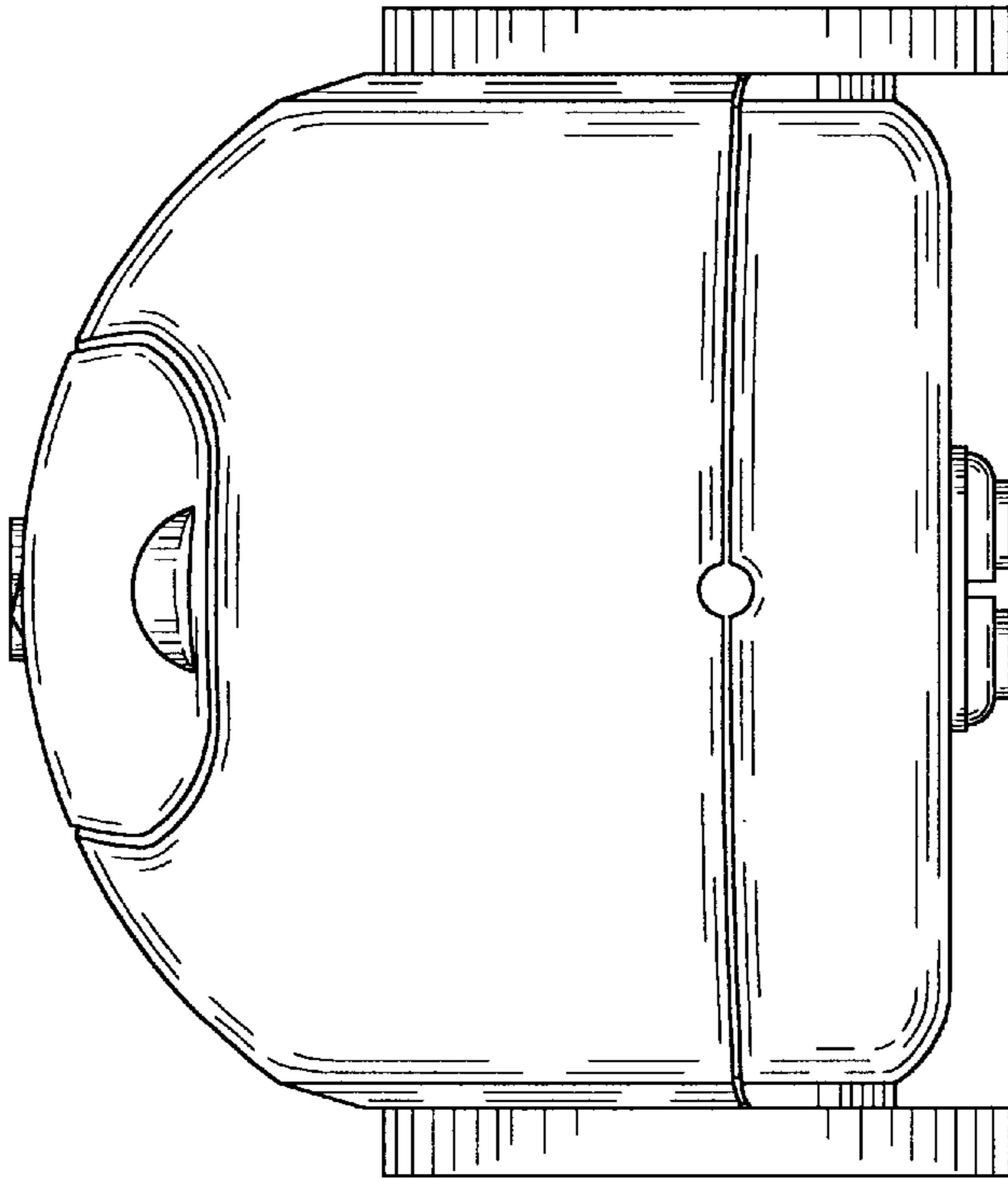


FIG.1

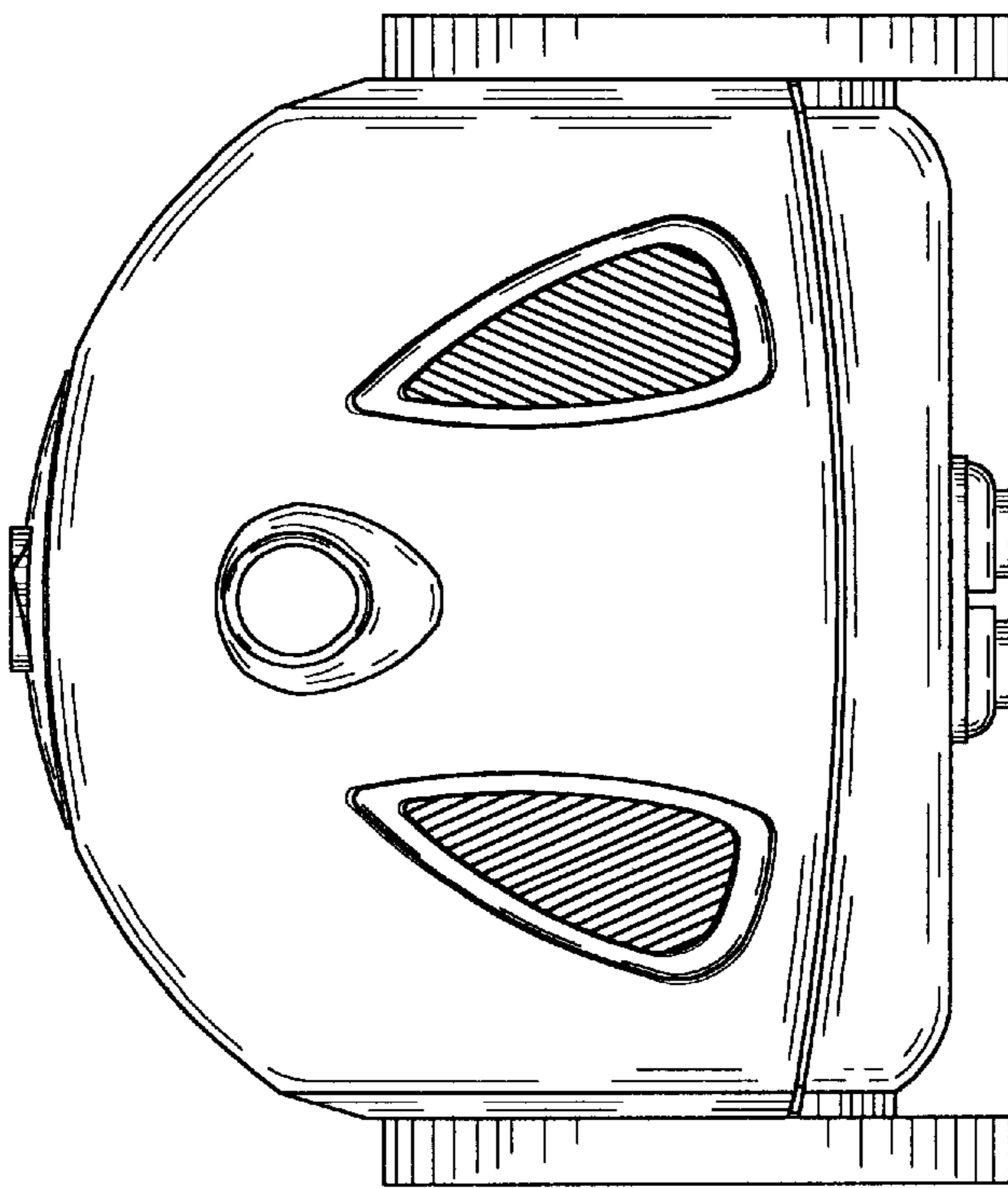


FIG.2

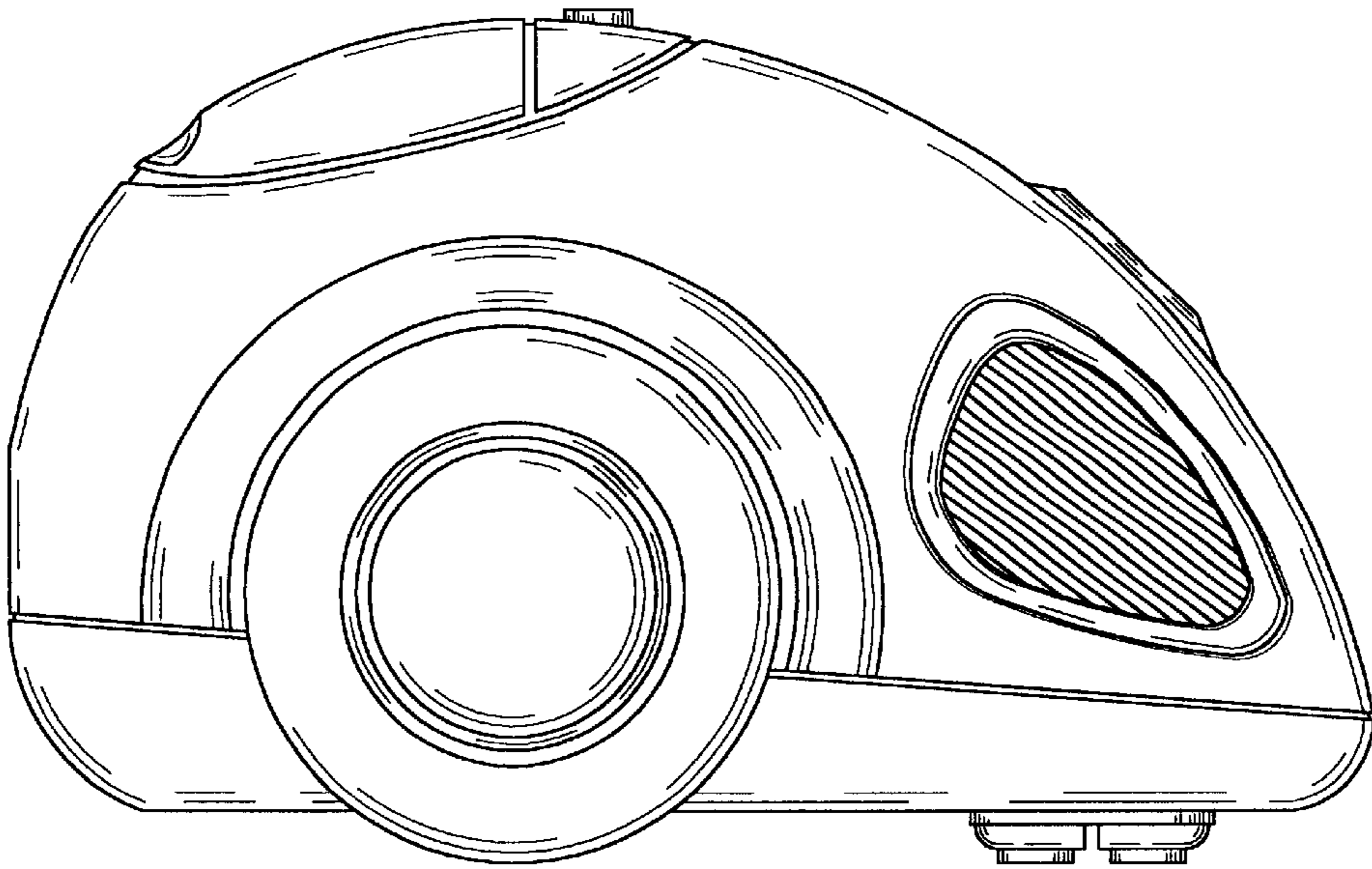


FIG. 3

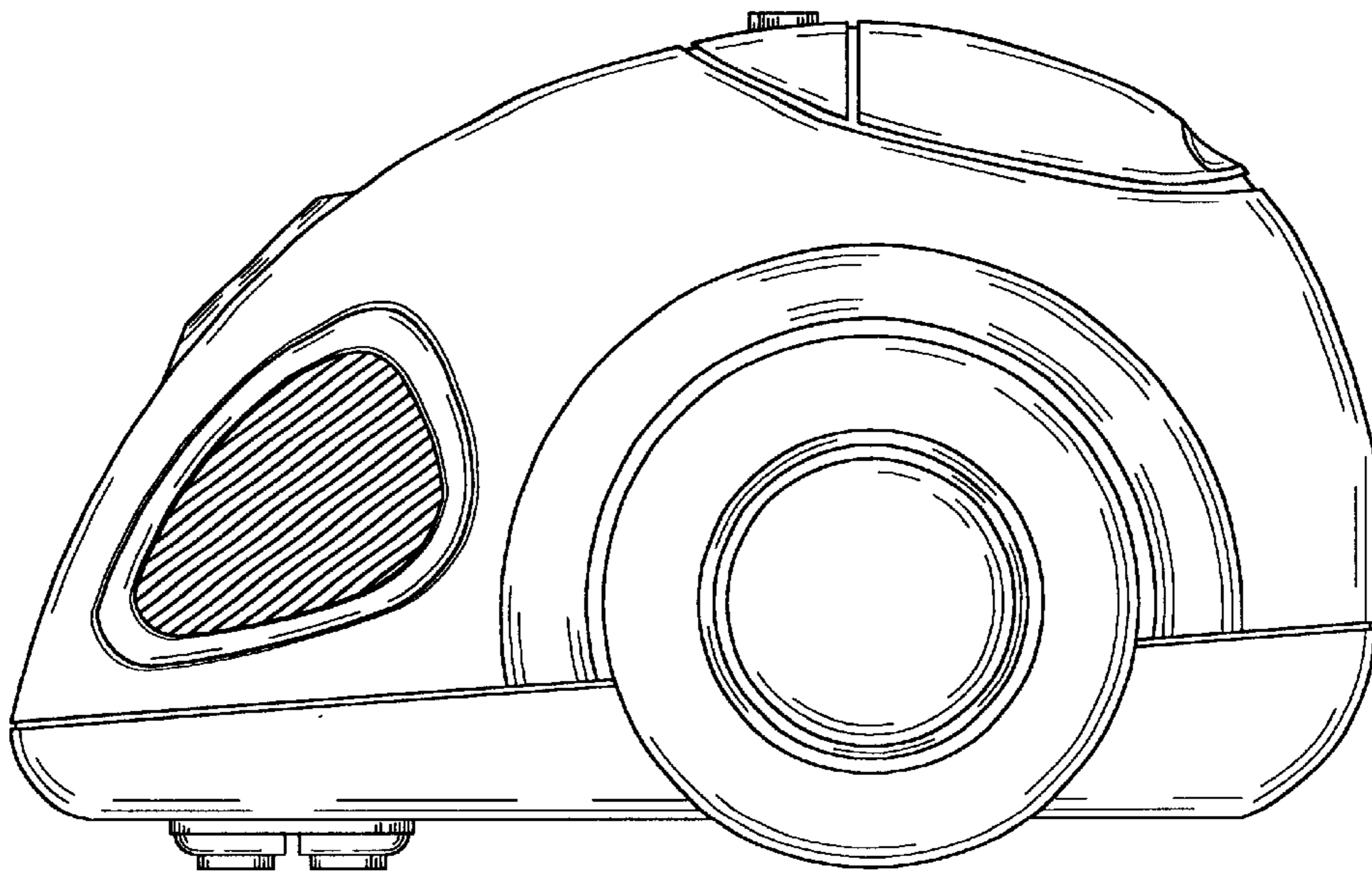


FIG. 4

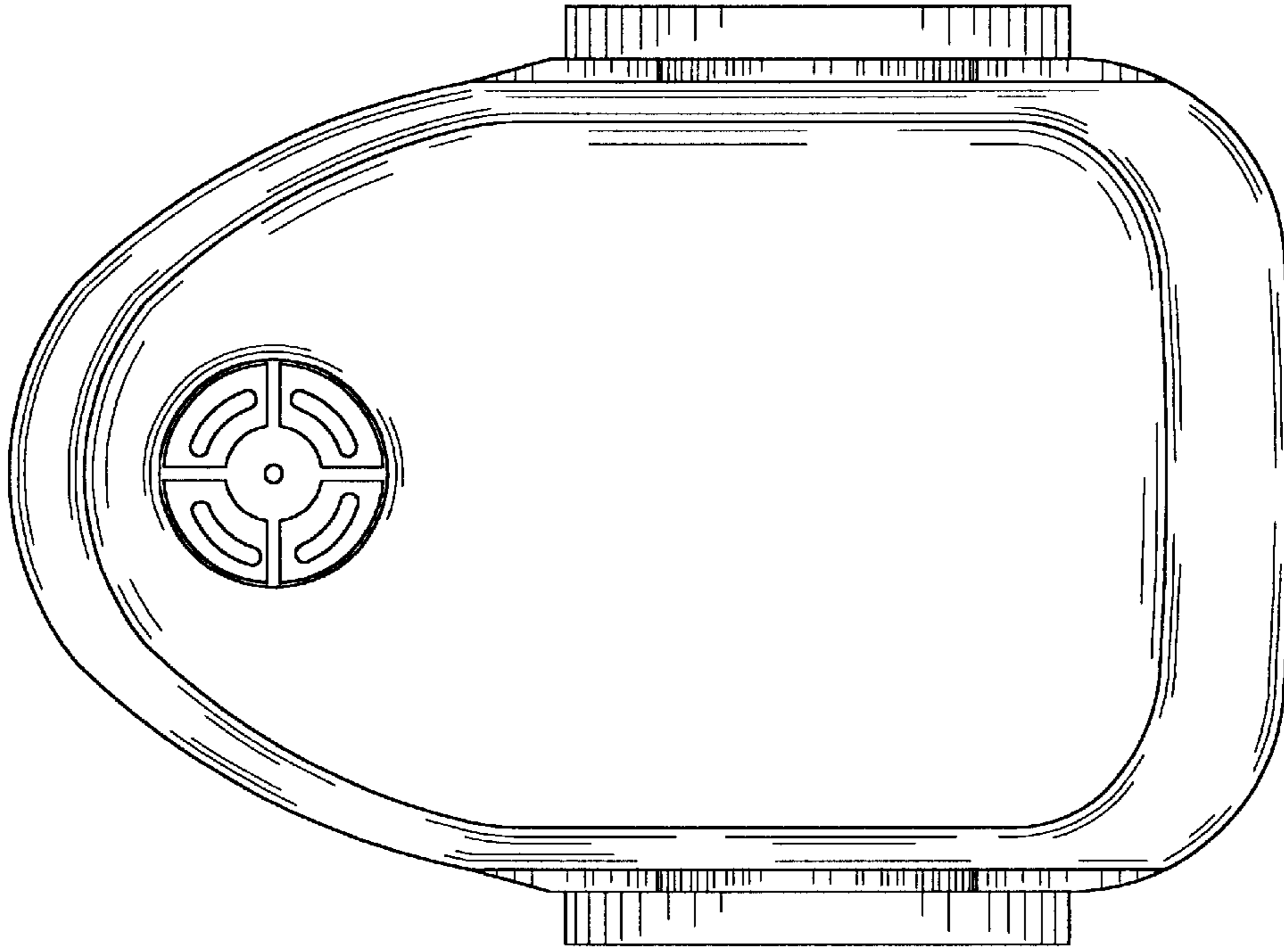


FIG. 5

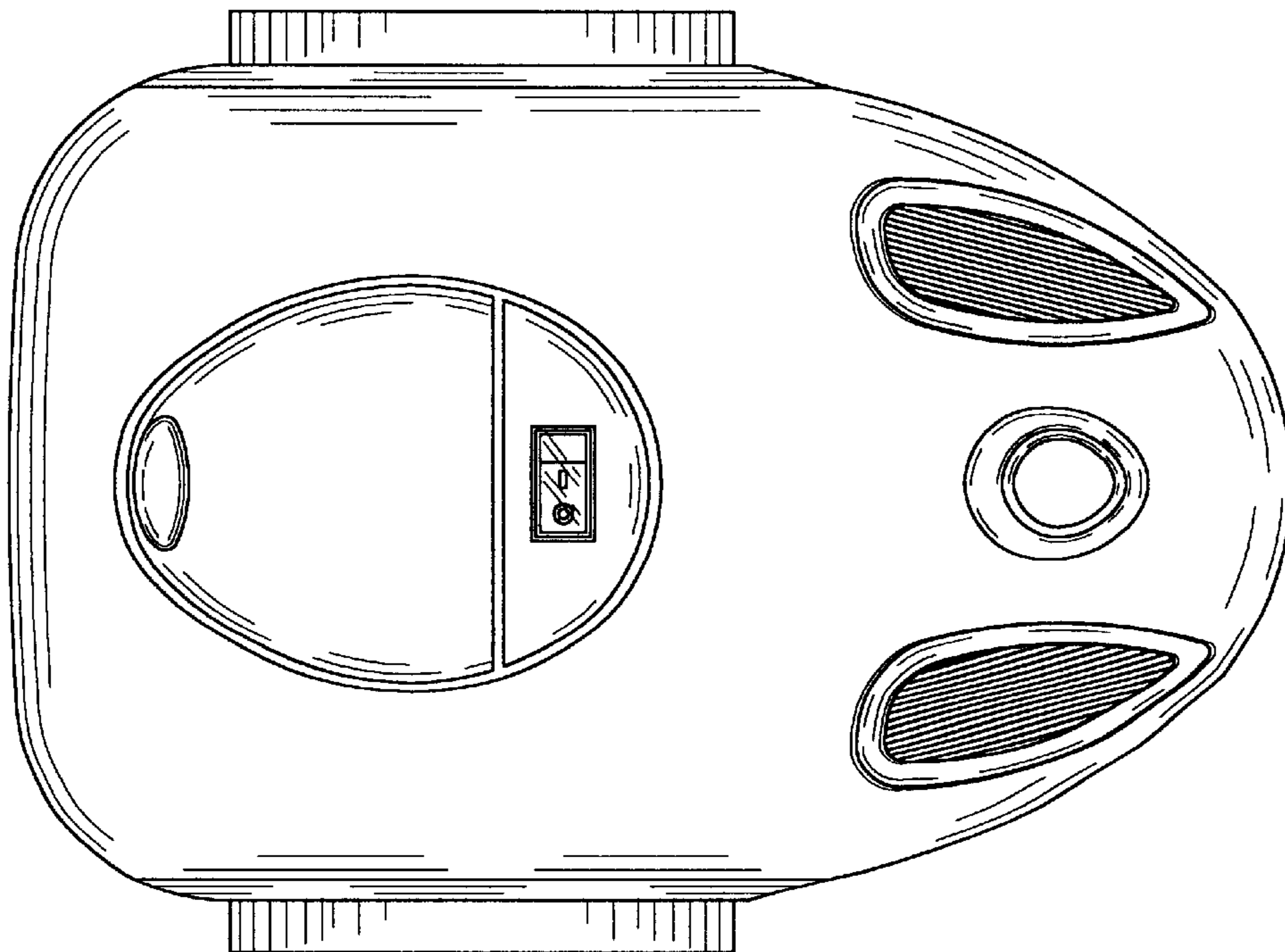


FIG. 6

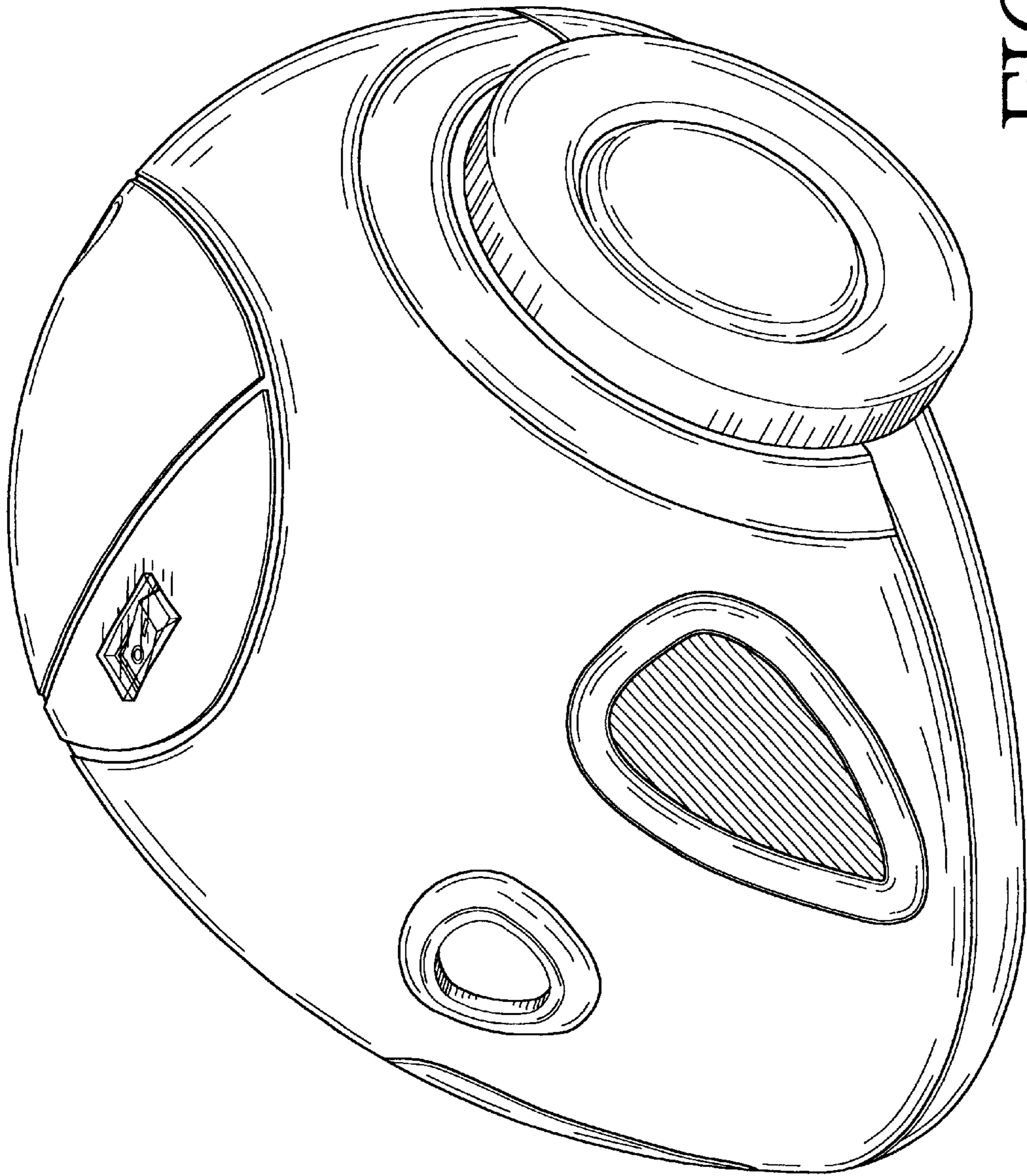


FIG. 7

FIG. 8

