



US00D445972S

(12) **United States Design Patent**
Doria

(10) **Patent No.:** **US D445,972 S**

(45) **Date of Patent:** **** Jul. 31, 2001**

(54) **STEAM CLEANING DOMESTIC APPARATUS**

(75) Inventor: **Alessandro Doria**, Milan (IT)

(73) Assignee: **Termozeta S.p.A.**, Milan (IT)

(**) Term: **14 Years**

(21) Appl. No.: **29/127,090**

(22) Filed: **Aug. 1, 2000**

(51) **LOC (7) Cl.** **15-05**

(52) **U.S. Cl.** **D32/17**

(58) **Field of Search** D32/17, 18, 25,
D32/31, 34; 15/320, 344, 353; 68/222

(56) **References Cited**

U.S. PATENT DOCUMENTS

D. 315,043	*	2/1991	Hayden	D32/34
D. 333,023	*	2/1993	Herron, Jr.	D32/34
D. 334,447	*	3/1993	Rohn	D32/34
D. 364,014	*	11/1995	Langeland et al.	D32/34
D. 388,562	*	12/1997	Doria	D32/17
D. 421,670	*	3/2000	Schupp	D32/17

D. 436,424	*	1/2001	Buzzi	D32/17
5,224,237	*	7/1993	Ambrosiano	15/322
5,386,612	*	2/1995	Sham	15/320
6,031,969	*	2/2000	Burr et al.	392/404

* cited by examiner

Primary Examiner—Ruth McInroy

(74) *Attorney, Agent, or Firm*—Nixon & Vanderhye P.C.

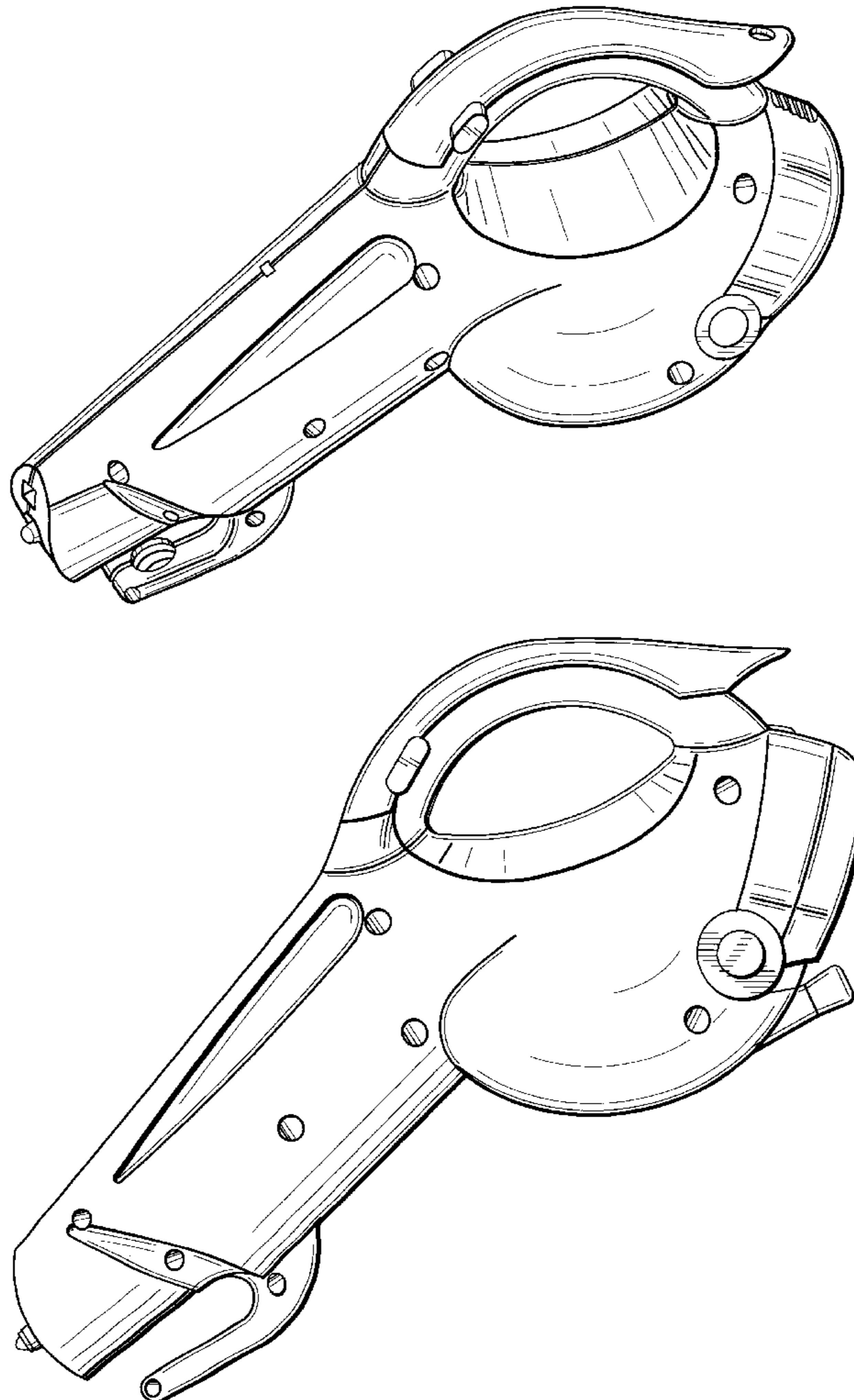
(57) **CLAIM**

The ornamental design for a steam cleaning domestic apparatus, as shown and described.

DESCRIPTION

FIG. 1 is a front, right side perspective view of a steam cleaning domestic apparatus showing my new design; FIG. 2 is a rear, right side perspective view thereof; FIG. 3 is a right side view thereof; FIG. 4 is a top view thereof; FIG. 5 is a left side view thereof; FIG. 6 is a front view thereof; and, FIG. 7 is a bottom view thereof.

1 Claim, 4 Drawing Sheets



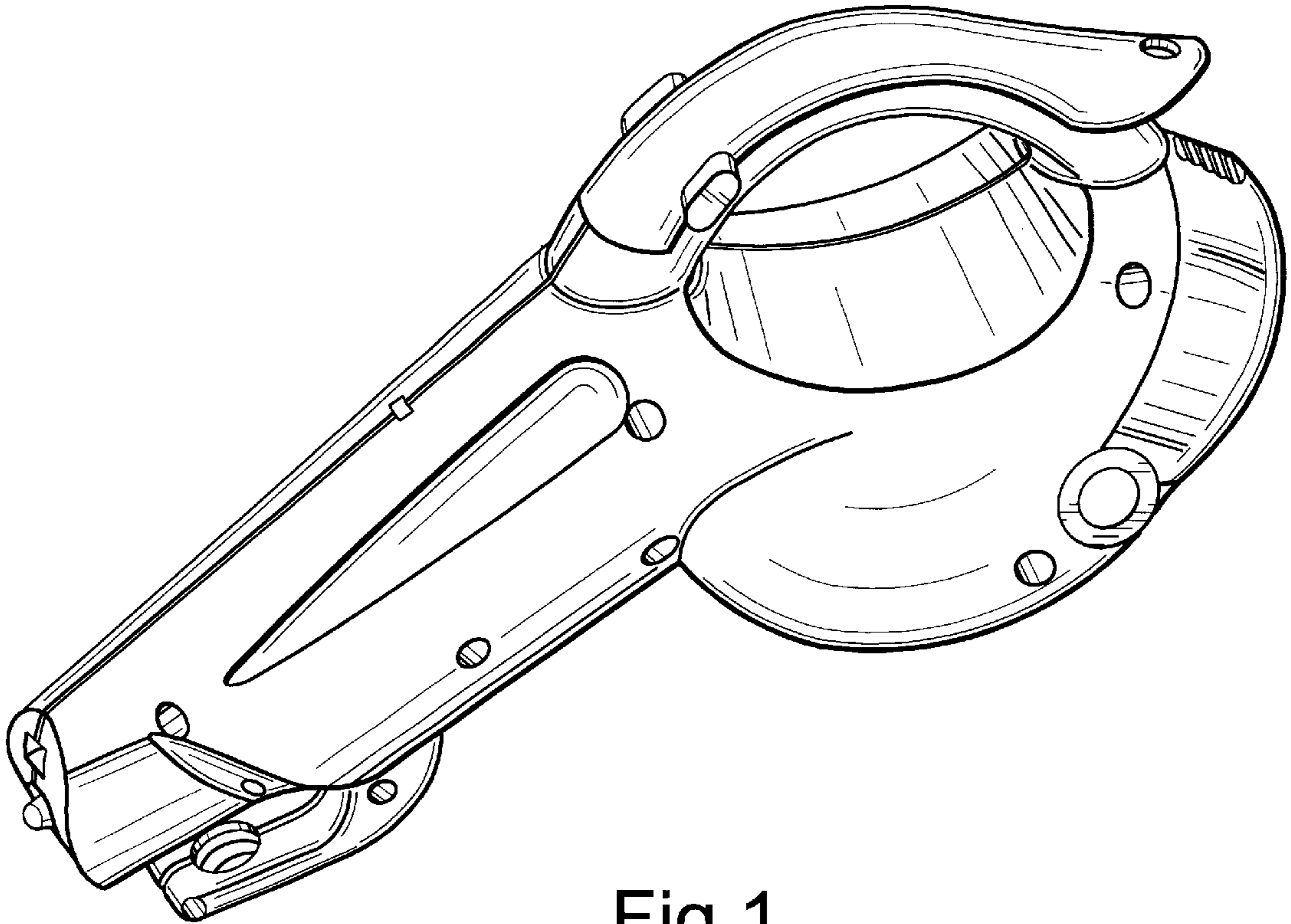


Fig.1

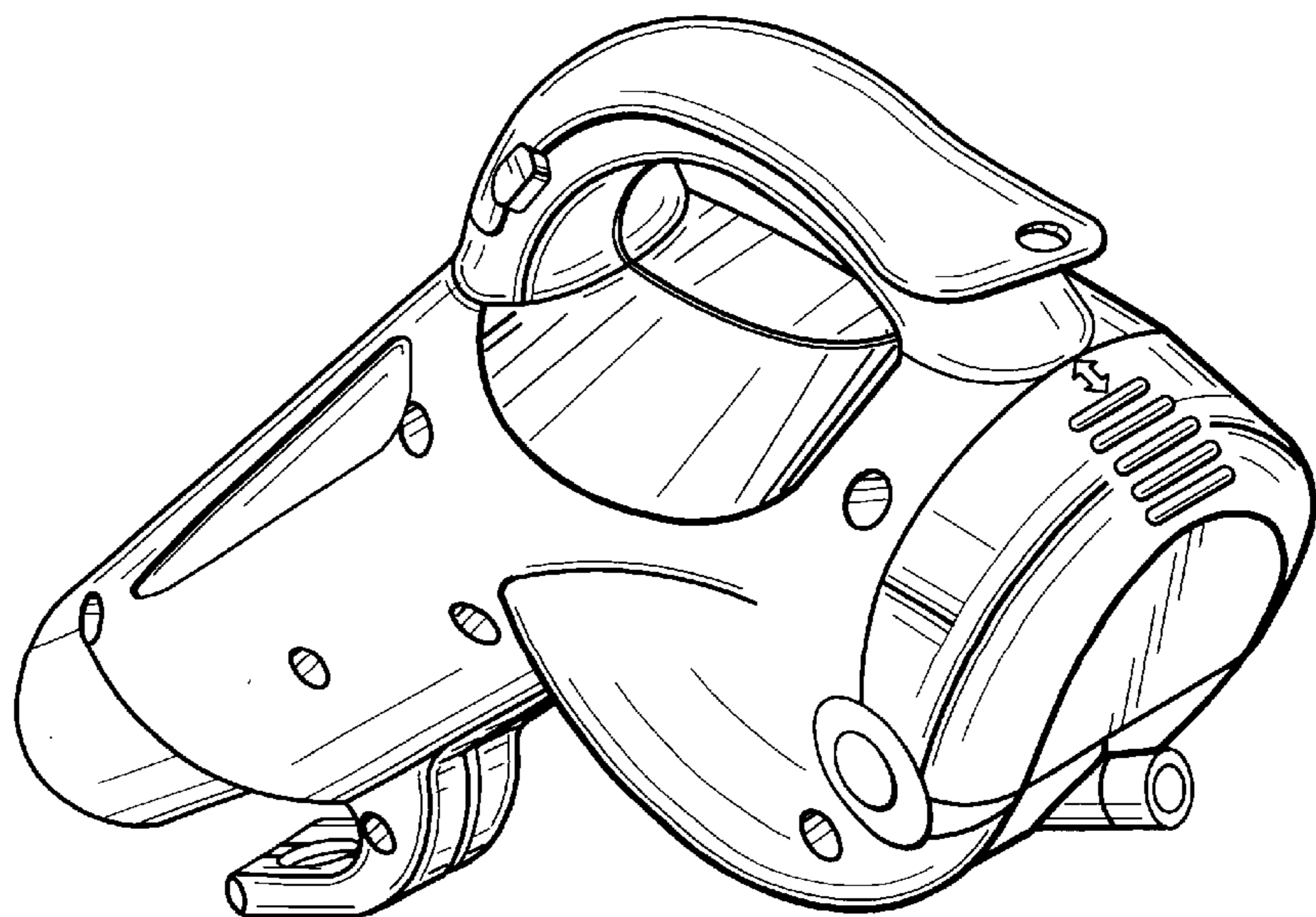


Fig.2

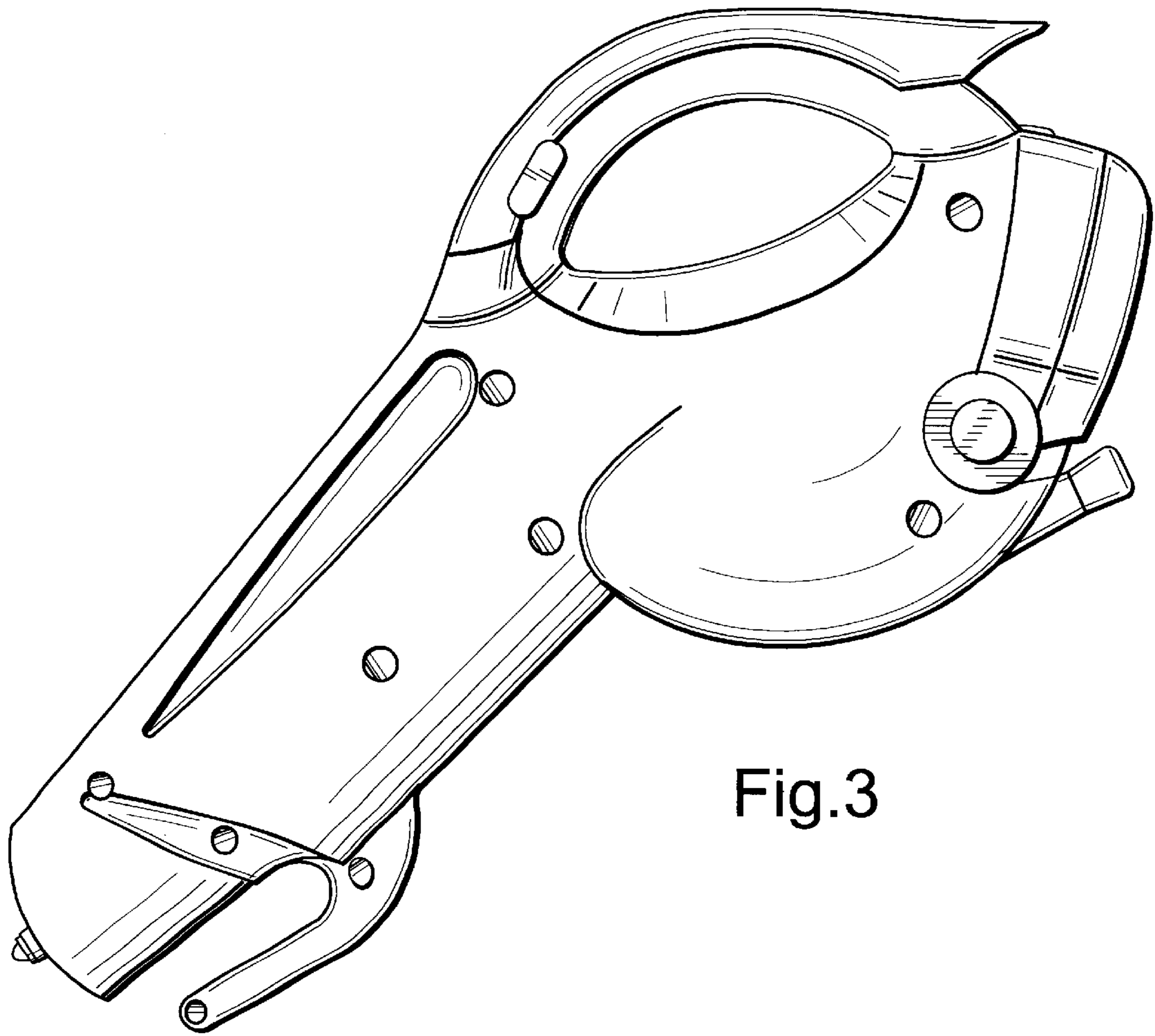


Fig.3

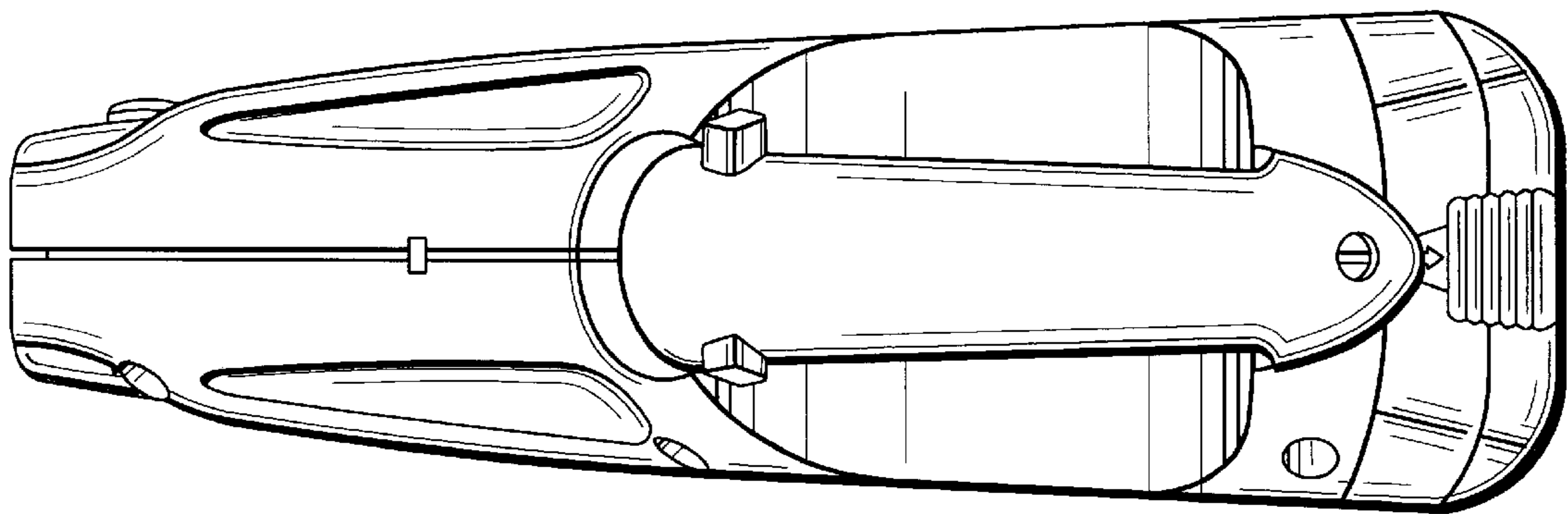


Fig.4

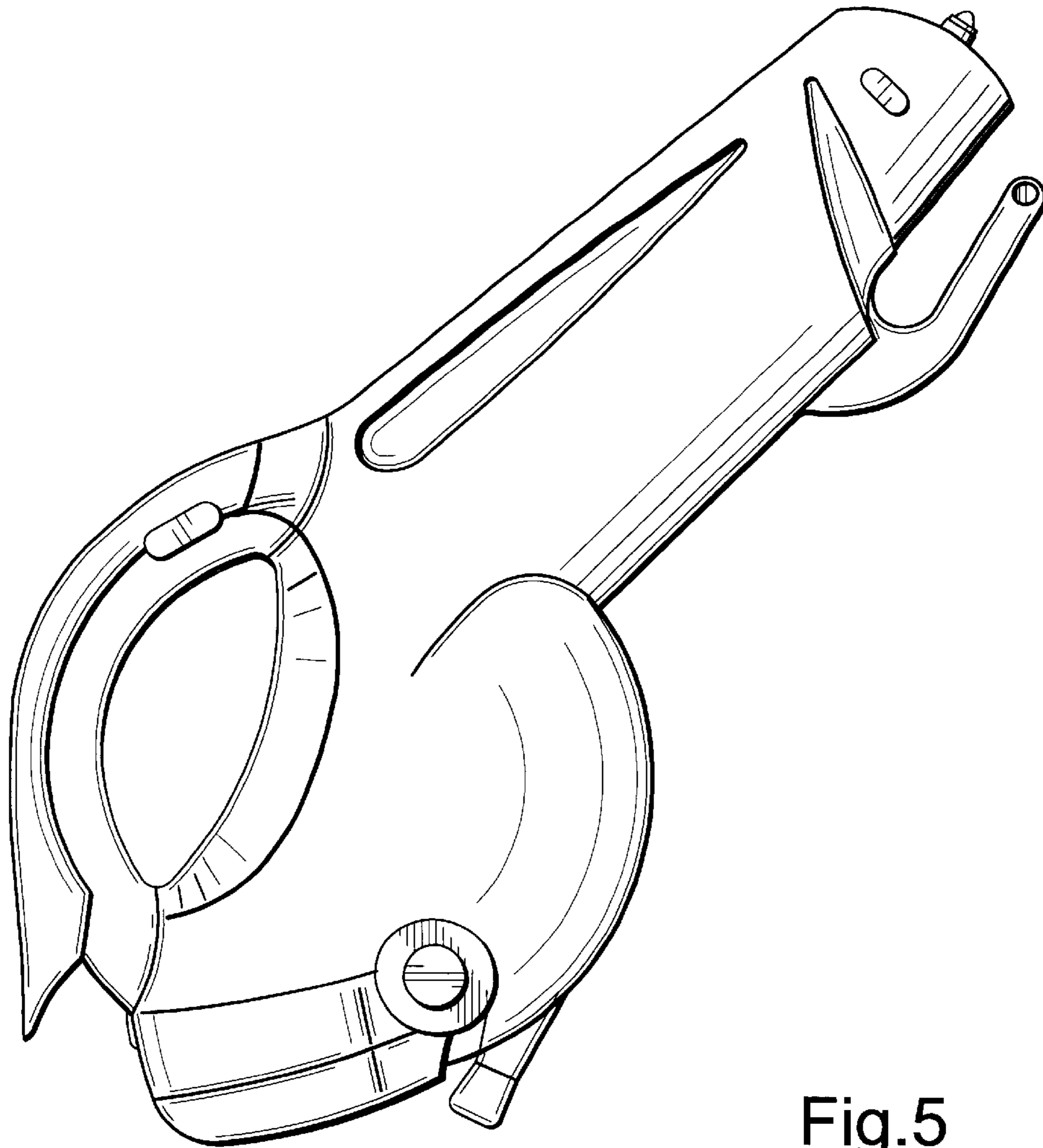


Fig.5

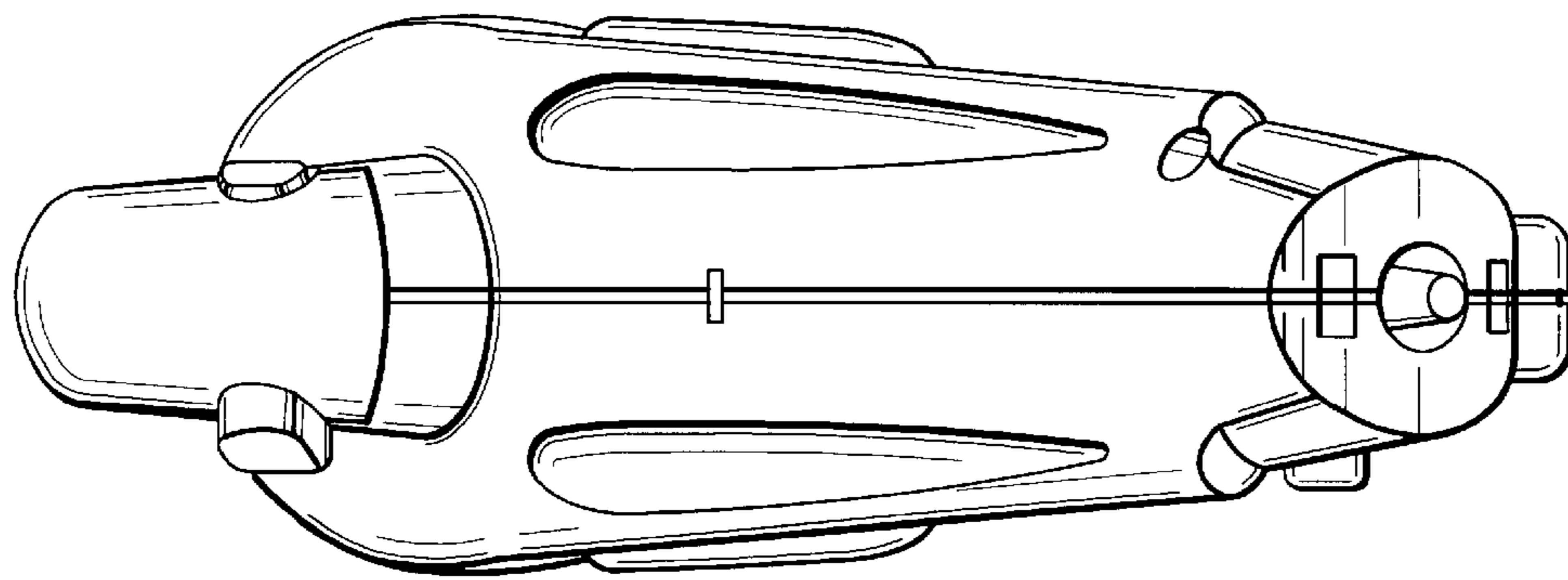


Fig.6

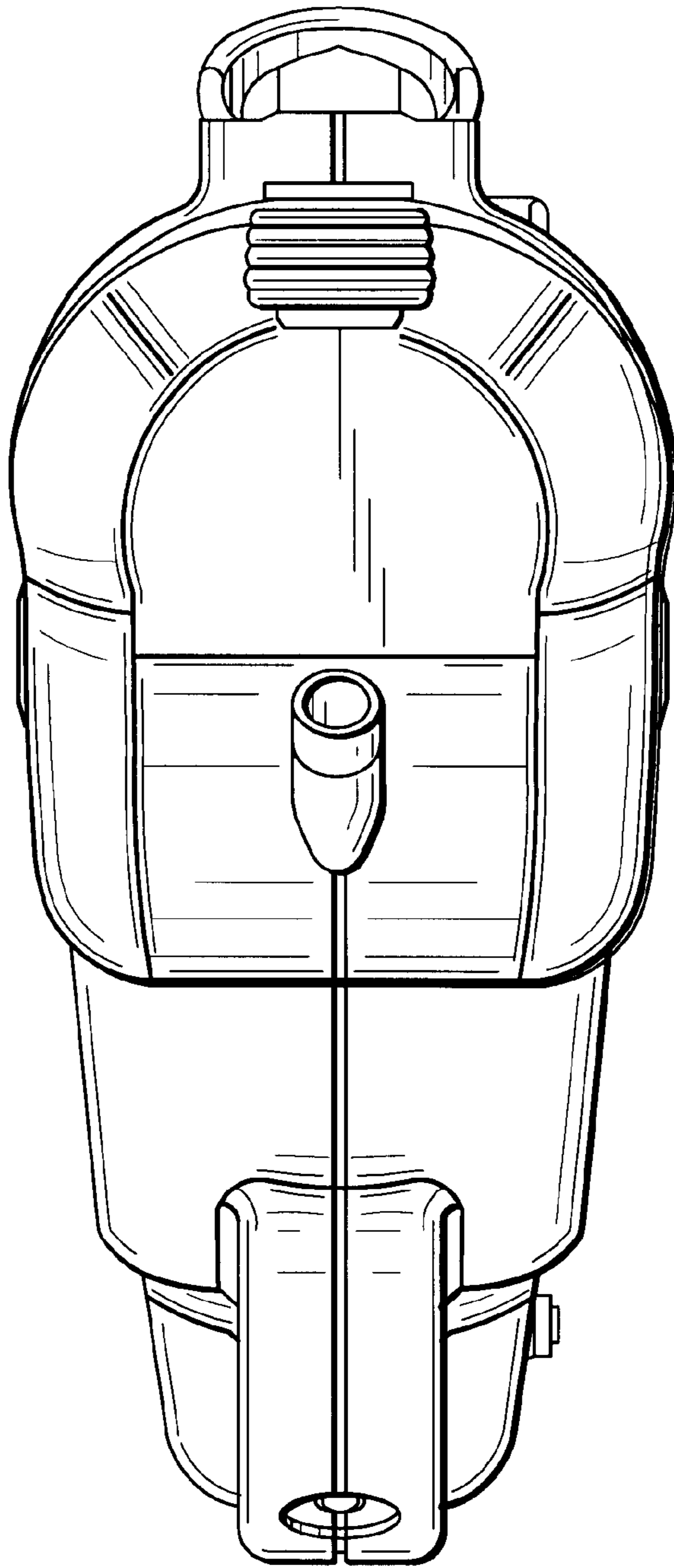


Fig.7