



US00D445970S

(12) **United States Design Patent**
Taylor

(10) **Patent No.:** **US D445,970 S**

(45) **Date of Patent:** **** Jul. 31, 2001**

(54) **PORTABLE VEHICLE WASHING SYSTEM**

4,967,960 11/1990 Futrell 239/148

(76) Inventor: **Roy M Taylor**, 2345 Cobb Pkwy., Apt.
P-115, Smyrna, GA (US) 30080

* cited by examiner

(**) Term: **14 Years**

Primary Examiner—Ted Shooman

Assistant Examiner—Mitchell I. Siegel

(21) Appl. No.: **29/066,601**

(74) *Attorney, Agent, or Firm*—Womble Carlyle Sandridge
& Rice

(22) Filed: **Feb. 18, 1997**

(57) **CLAIM**

(51) **LOC (7) Cl.** **15-05**

The ornamental design entitled portable vehicle washing
system, as shown and described.

(52) **U.S. Cl.** **D32/4**

DESCRIPTION

(58) **Field of Search** D34/4, 15; 239/149,
239/148, 172, 302

FIG. 1 is a perspective view of a portable vehicle washing
system that embodies my new design.

(56) **References Cited**

U.S. PATENT DOCUMENTS

274,060	*	3/1883	Vizclich	239/172
3,412,938	*	11/1968	Larson	239/172
3,454,042		7/1969	Phillips	137/565
3,504,858		4/1970	Liddiard	239/172
4,624,602	*	11/1986	Kieffer et al.	239/172
4,828,180		5/1989	Kristensen	239/302
4,865,255		9/1989	Luvisotto	239/149
4,893,751	*	1/1990	Armstrong	239/172

FIG. 2 is a front view thereof.

FIG. 3 is a right side view thereof.

FIG. 4 is a rear view thereof.

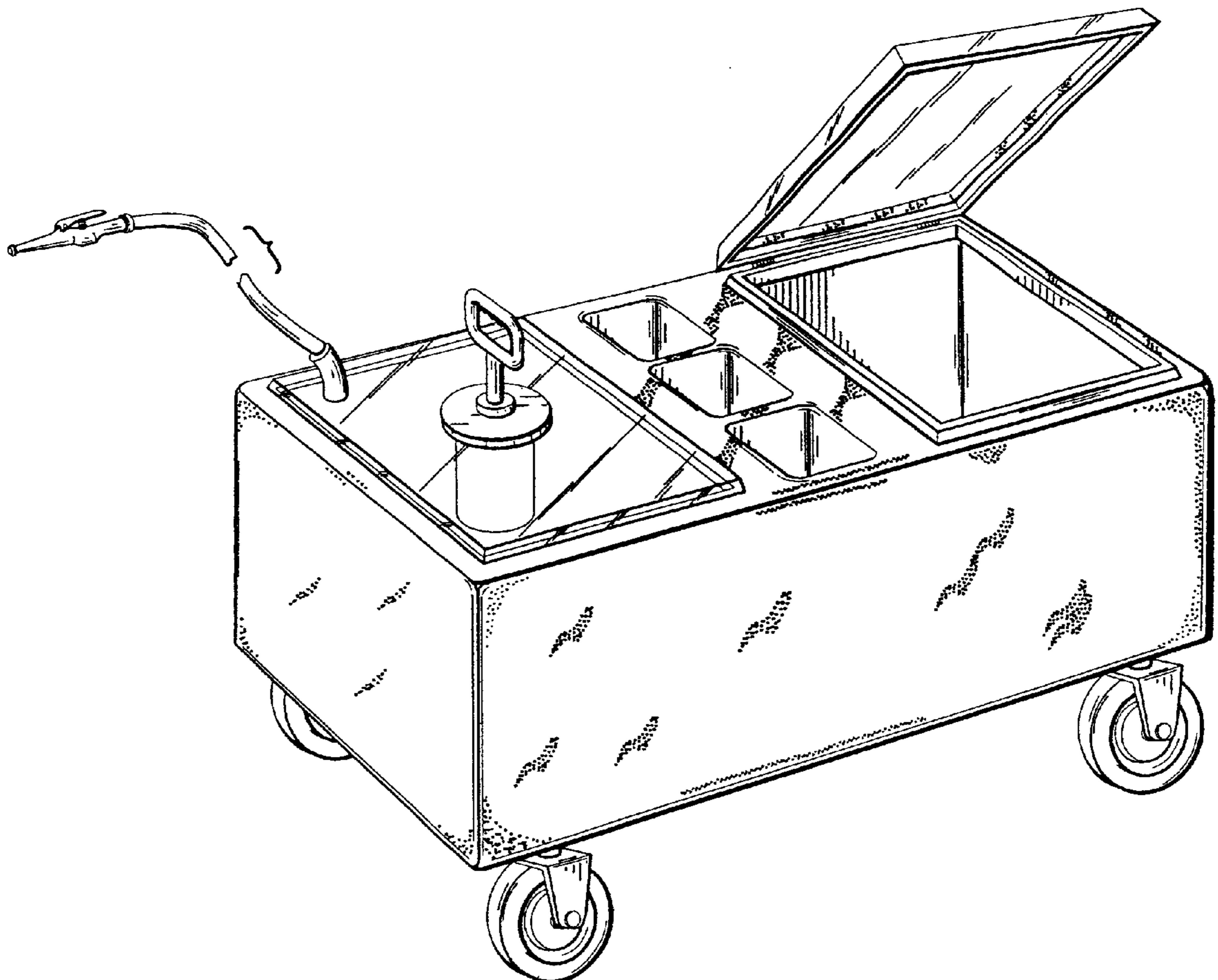
FIG. 5 is a left side view thereof.

FIG. 6 is a top view thereof; and,

FIG. 7 is a bottom view thereof.

The broken away portion of the hose is shown due to
indeterminate length.

1 Claim, 3 Drawing Sheets



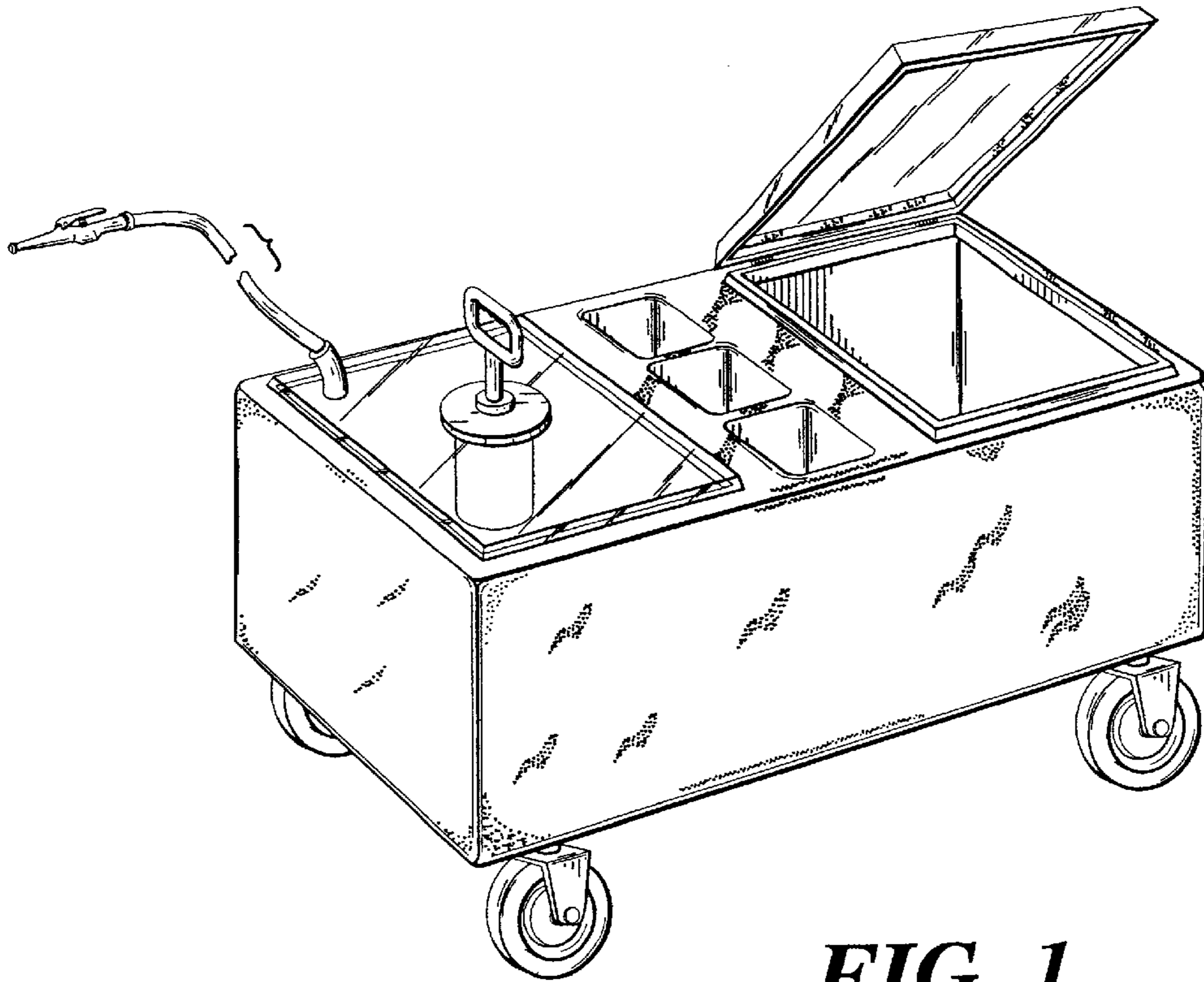


FIG 1

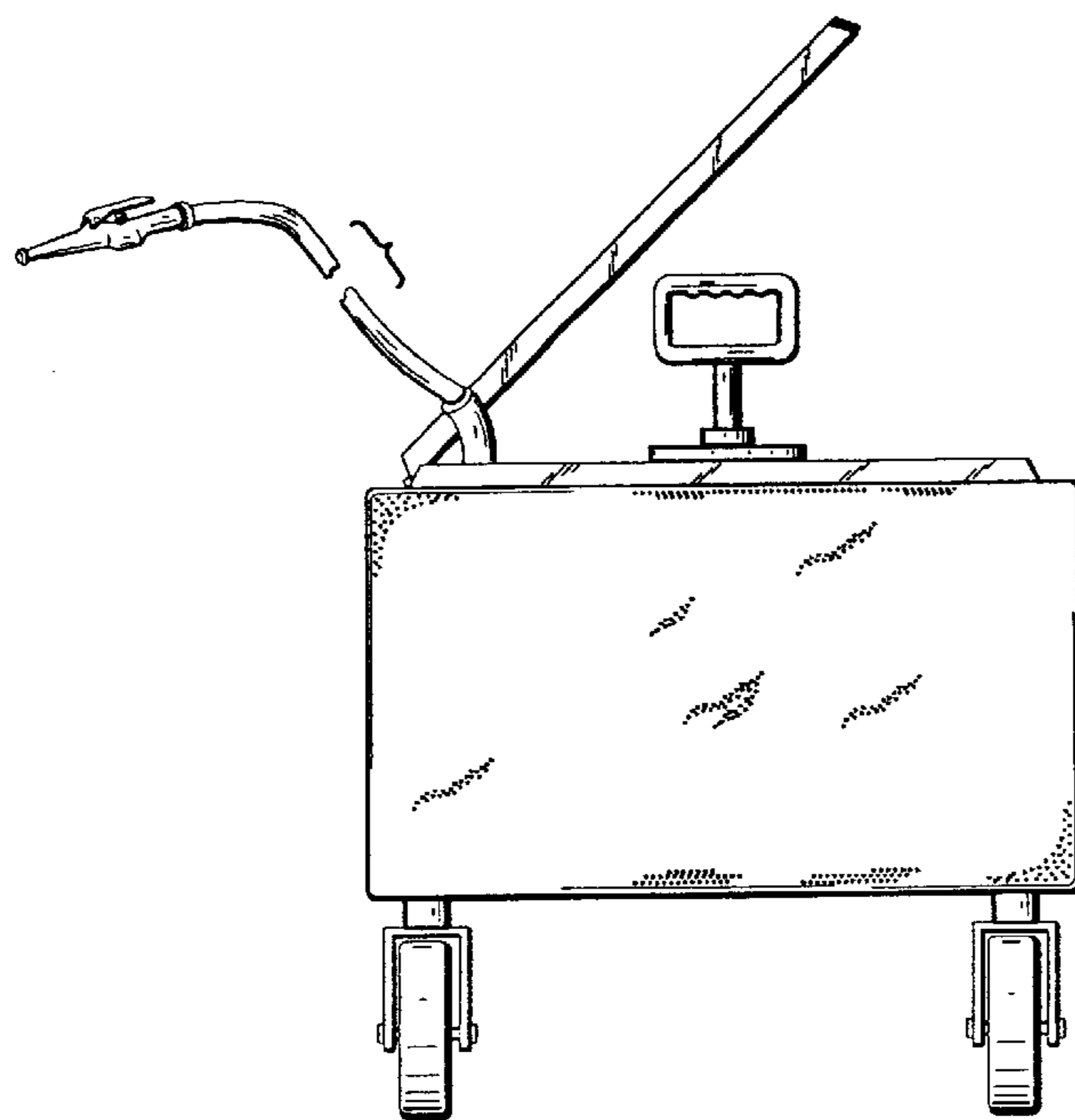


FIG 2

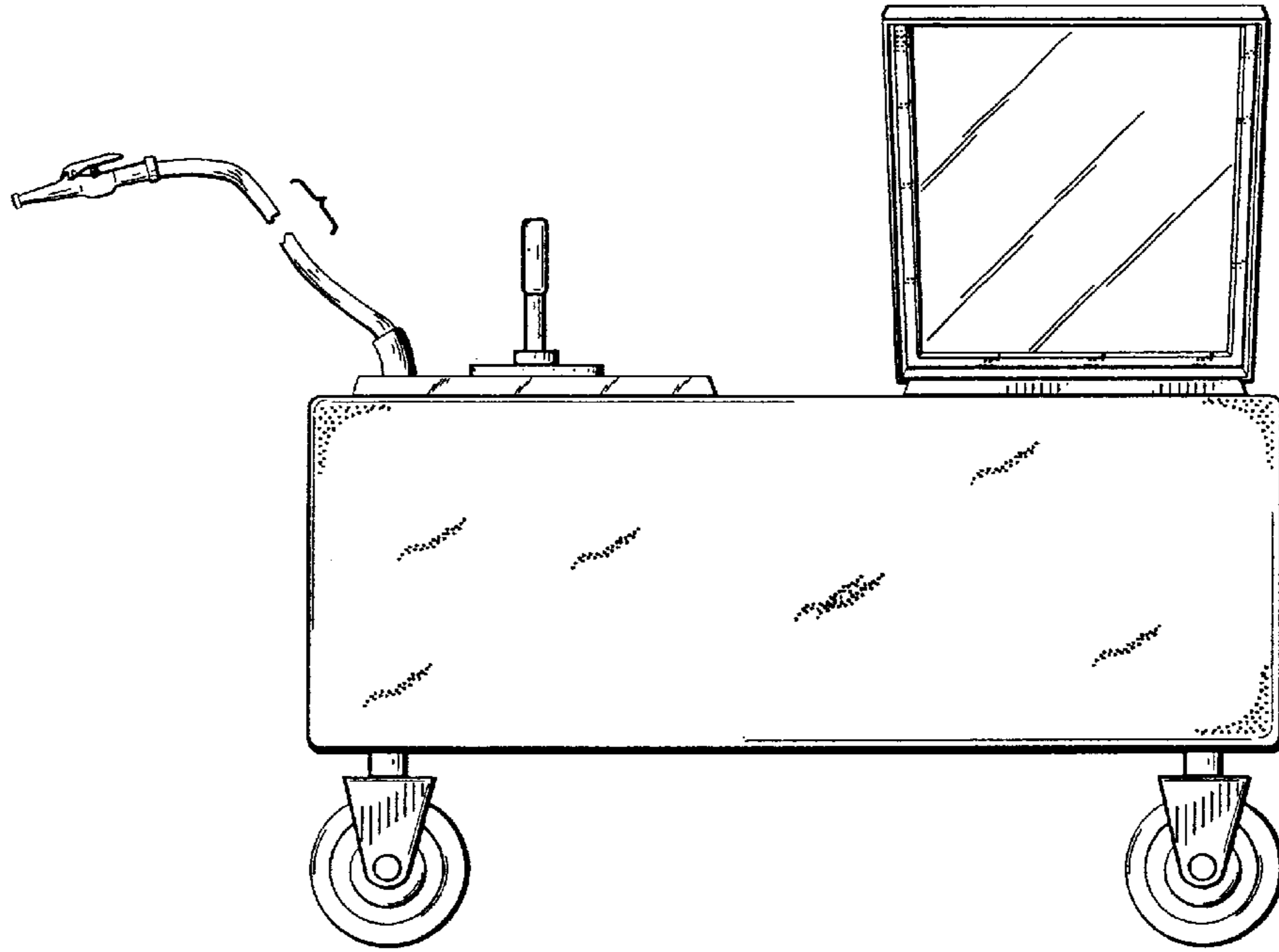


FIG 3

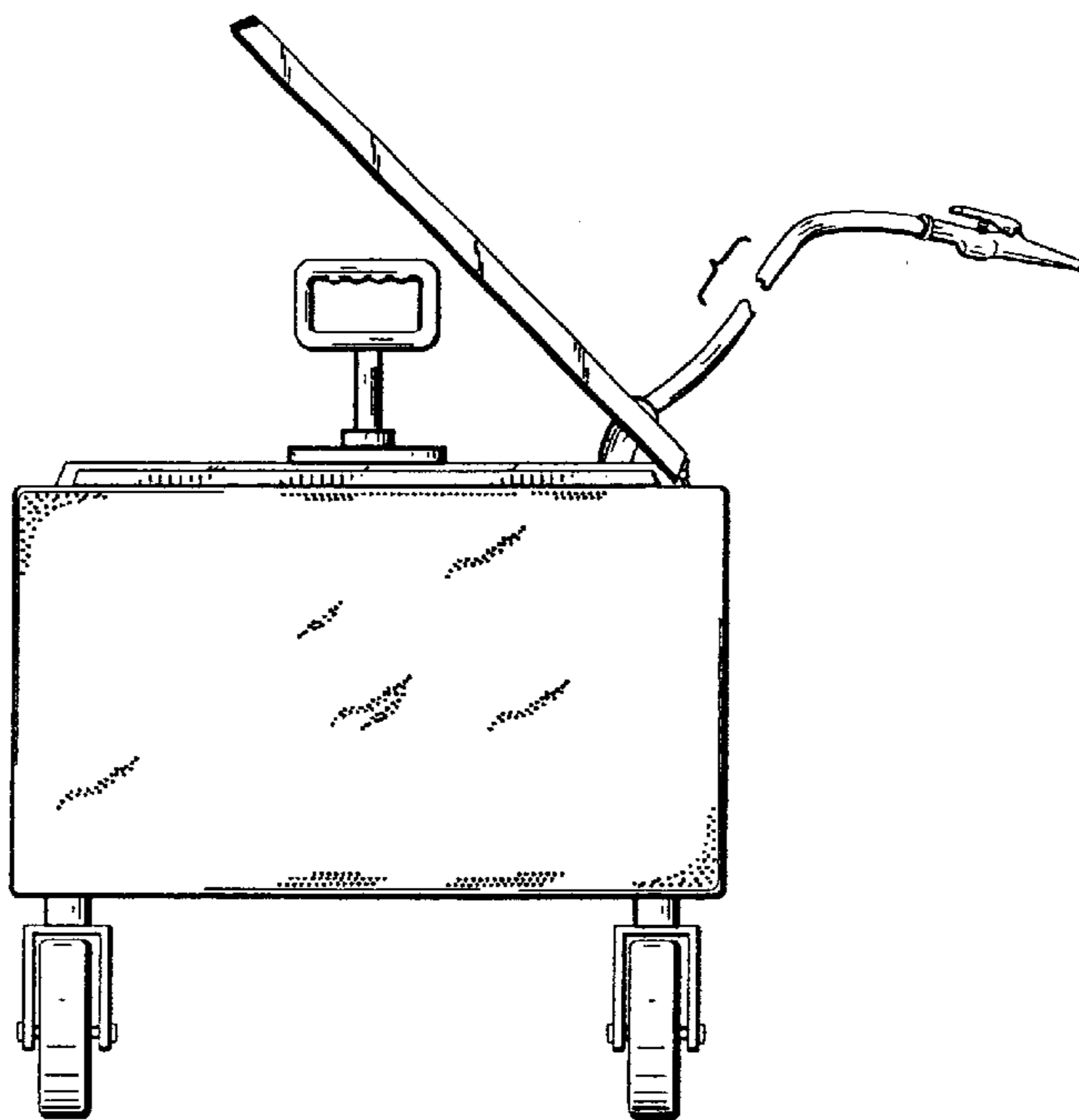


FIG 4

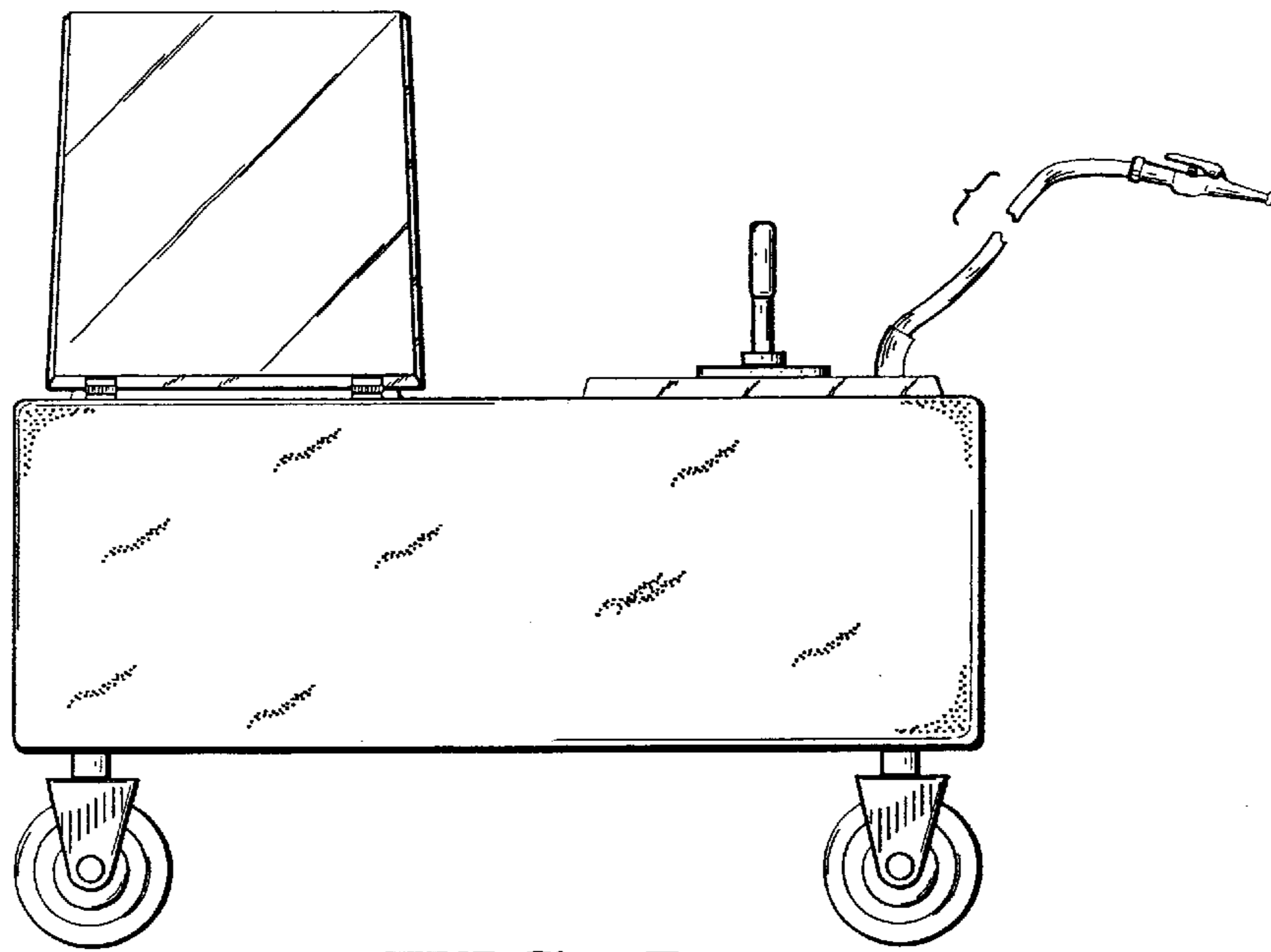


FIG 5

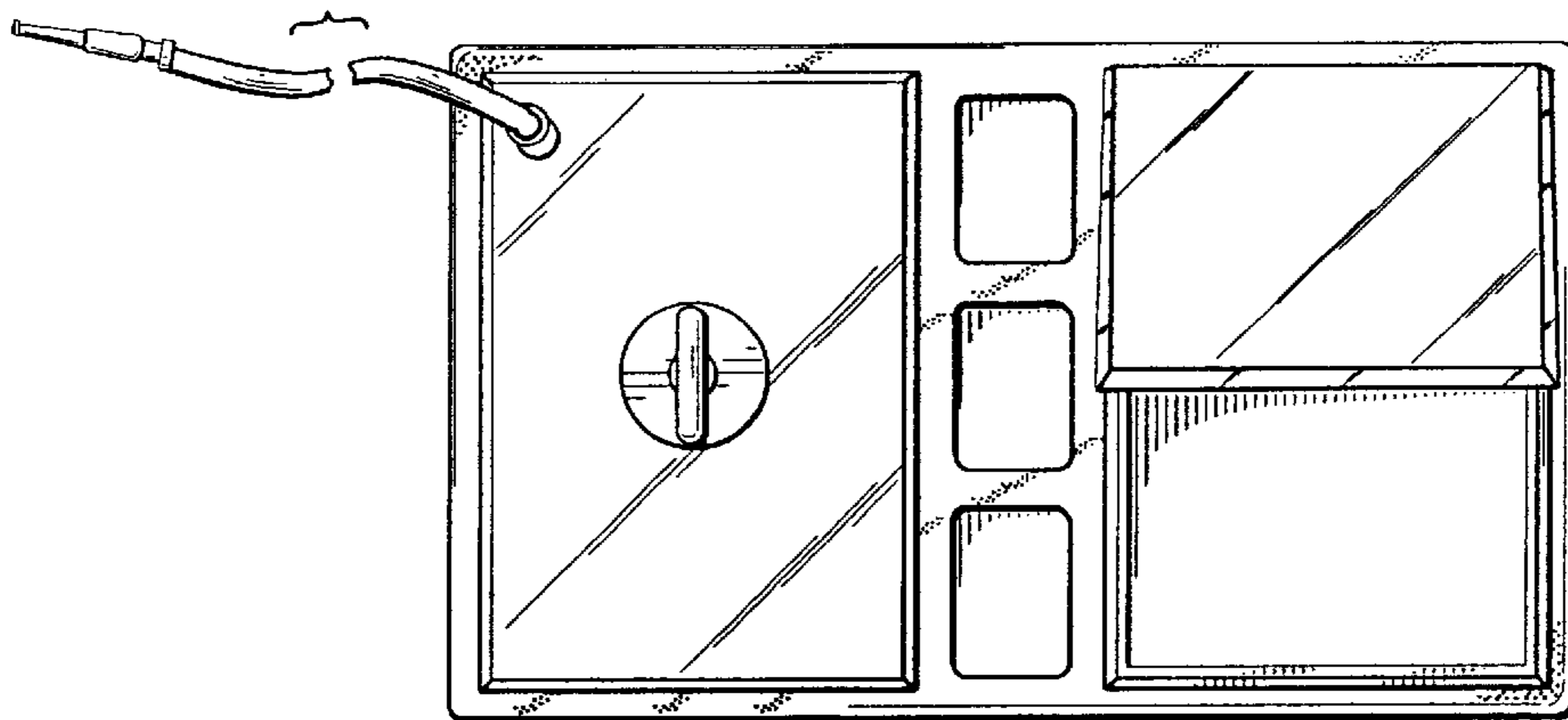


FIG 6

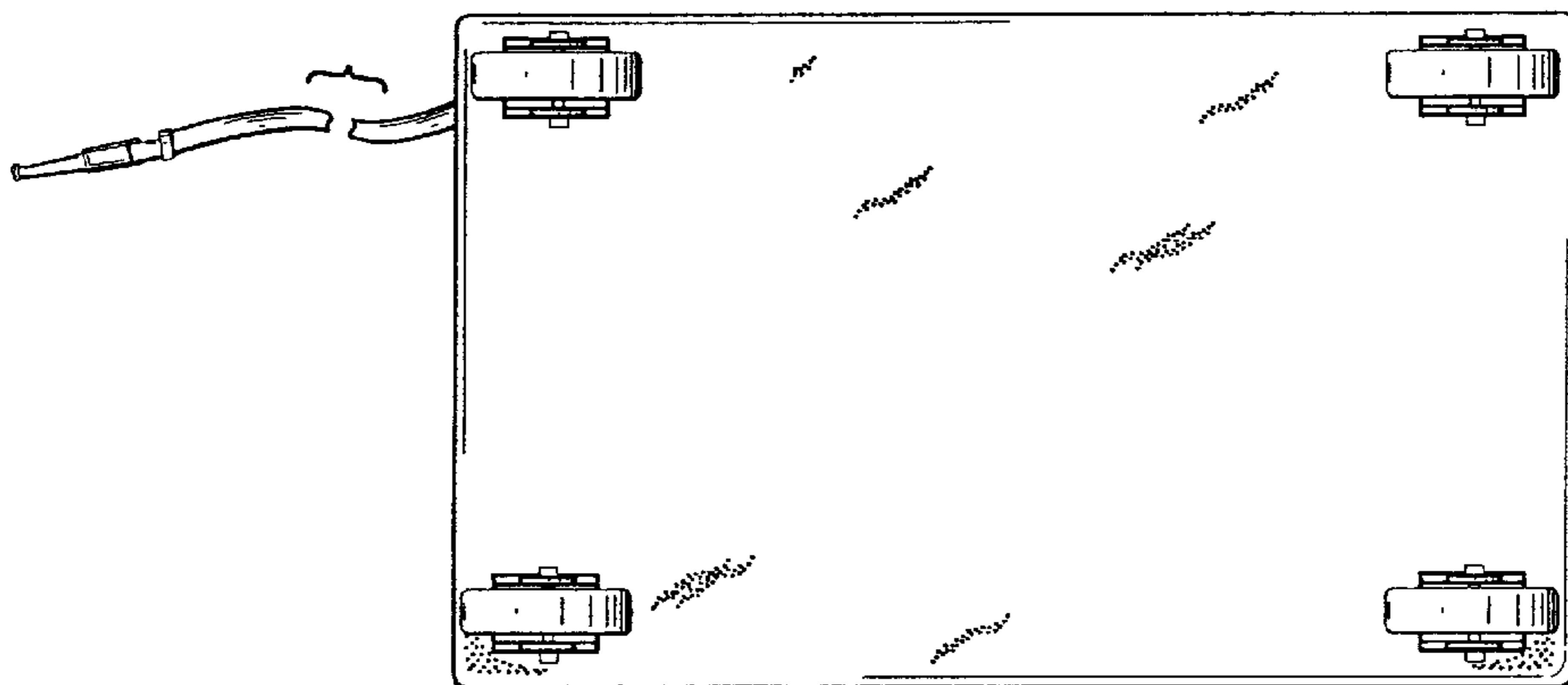


FIG 7