



US00D445969S

(12) **United States Design Patent**
Lorenzo

(10) **Patent No.:** **US D445,969 S**

(45) **Date of Patent:** **** Jul. 31, 2001**

(54) **VETERINARIAN FLUID APPLICATOR
COMB WITH RESERVOIR HANDLE**

(75) Inventor: **John C. Lorenzo**, Bloomfield, NJ (US)

(73) Assignee: **LDG Enterprises, Inc.**, NJ (US)

(**) Term: **14 Years**

(21) Appl. No.: **29/104,450**

(22) Filed: **May 5, 1999**

(51) **LOC (7) Cl.** **30-99**

(52) **U.S. Cl.** **D30/159; D28/25**

(58) **Field of Search** **D30/158, 159;**
D24/119; D4/114, 116-119, 137, 138; 132/114,
116, 108, 110, 112; 119/625-633; D28/21,
25

3,066,683	*	12/1962	Pace	132/114
3,353,721		11/1967	Love	.	
3,368,569		2/1968	Lawrence	.	
3,612,706		10/1971	Verga	.	
3,754,557	*	8/1973	Moore	132/114
4,183,328		1/1980	Lawrence	.	
4,237,822		12/1980	Kaiser, Jr.	.	
4,254,738		3/1981	Stanley	.	
4,543,913		10/1985	Wilkeson	.	
4,557,619		12/1985	DeVincentis	.	
4,902,154		2/1990	Valenza	.	
4,922,859		5/1990	Durell et al.	.	
5,056,480		10/1991	Murray, Sr.	.	
5,125,423		6/1992	Butterbrodt	.	
5,289,833	*	3/1994	McDonald	132/114
5,311,887		5/1994	Ramsey	.	
5,325,878		7/1994	McKay	.	
5,337,764	*	8/1994	McKay	132/114
5,339,839		8/1994	Forcelledo et al.	.	
5,555,899		9/1996	Foreman	.	
5,803,093		9/1998	Romano	.	

(56) **References Cited**

U.S. PATENT DOCUMENTS

Re. 25,585	5/1964	Birch et al.	.	
D. 244,712	*	6/1977	Houston D30/159
D. 289,344	*	4/1987	O'Connor et al. D4/114
D. 353,019	*	11/1994	Kimmell et al. D28/25
D. 362,964	*	10/1995	Sanchez D4/114
D. 375,588	*	11/1996	Bzoch D30/158
D. 387,484	*	12/1997	Hong D28/25
D. 399,602	*	10/1998	Ratnam D28/25
710,269		9/1902	Harrison	.
1,462,400		7/1923	Warren	.
1,546,638		7/1925	Evans	.
1,664,168		3/1928	Harris	.
1,693,248		11/1928	Newton	.
1,704,959		3/1929	Ames	.
1,829,021		10/1931	Sinclair	.
2,265,972		12/1941	Pearson	.
2,470,024		5/1949	Francis	.
2,532,001		11/1950	Williams	.
2,582,533		1/1952	Dixon	.
2,626,617		1/1953	Sullivan	.
2,956,570		10/1960	Stanford	.

* cited by examiner

Primary Examiner—Pamela Burgess

(74) *Attorney, Agent, or Firm*—Anthony J. Casella; Gerald E. Hespos; Michael J. Porco

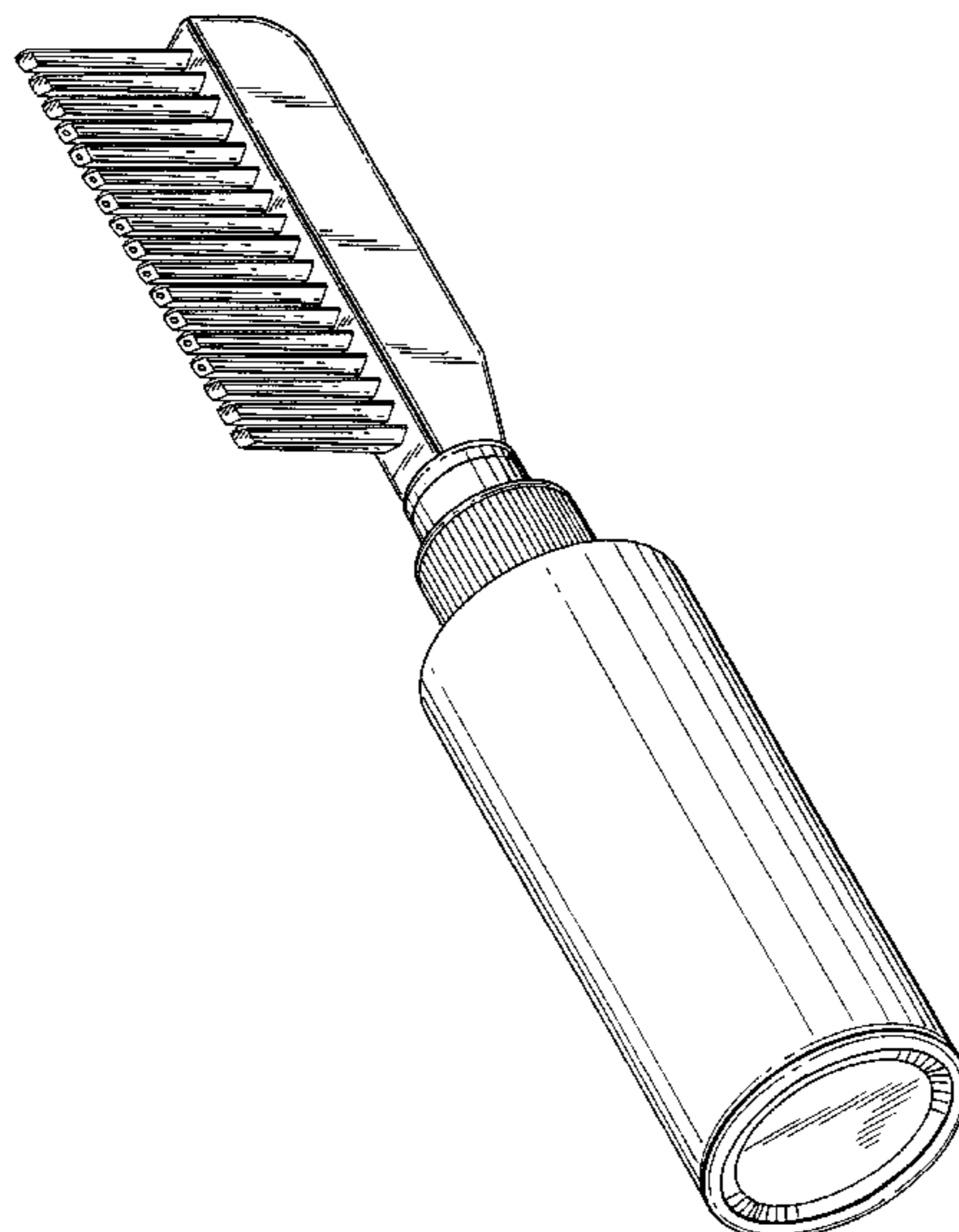
(57) **CLAIM**

The ornamental design of a veterinarian fluid applicator comb with reservoir handle, as shown and described.

DESCRIPTION

FIG. 1 is a perspective view of a veterinarian fluid applicator comb with reservoir handle showing my new design; FIG. 2 is a right side elevational view of the veterinary fluid applicator comb with reservoir handle, with the left side elevational view being a mirror image; FIG. 3 is a top plan view of my design; FIG. 4 is a front elevational view thereof; FIG. 5 is a rear elevational view thereof; and, FIG. 6 is a bottom plan view thereof.

1 Claim, 3 Drawing Sheets



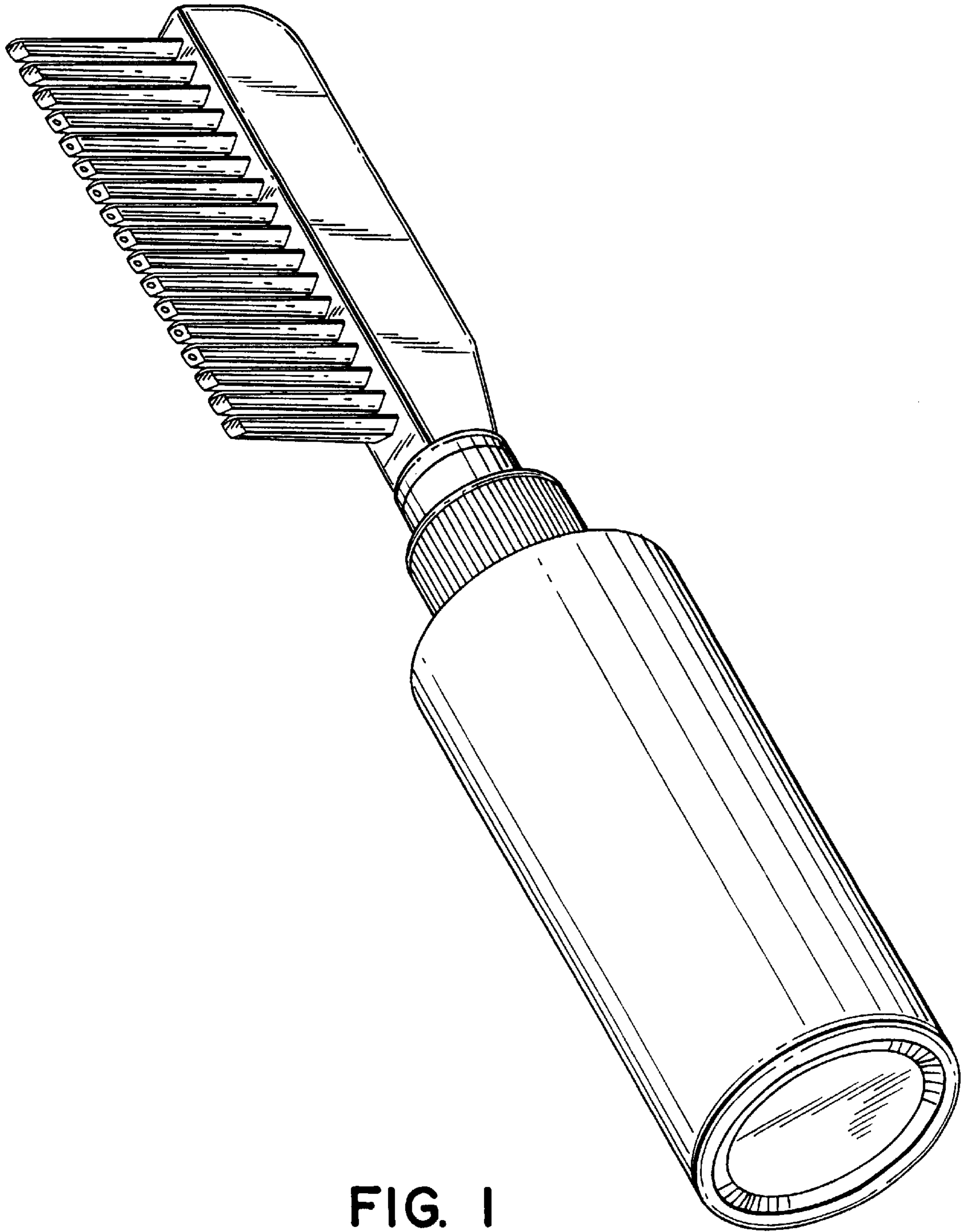


FIG. 1

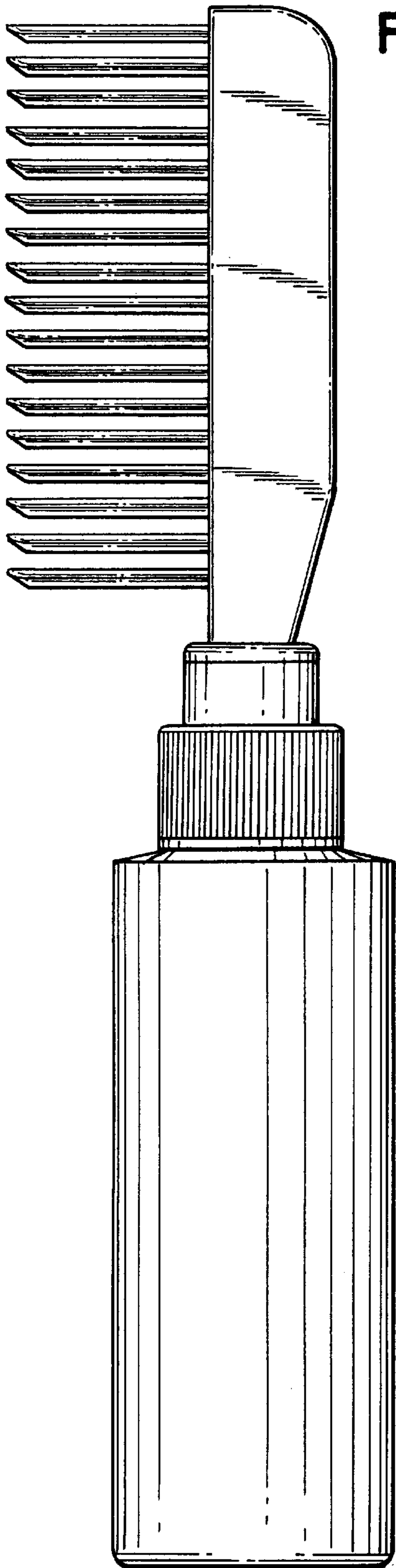


FIG. 2

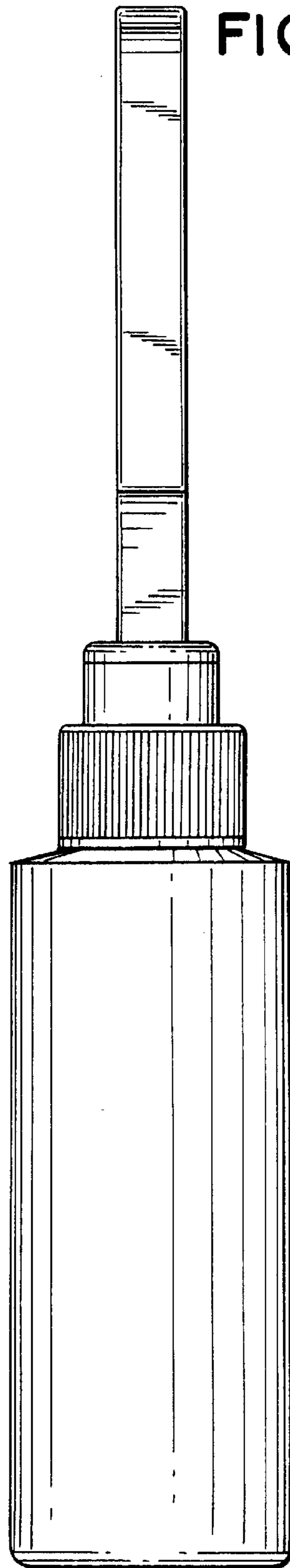


FIG. 5

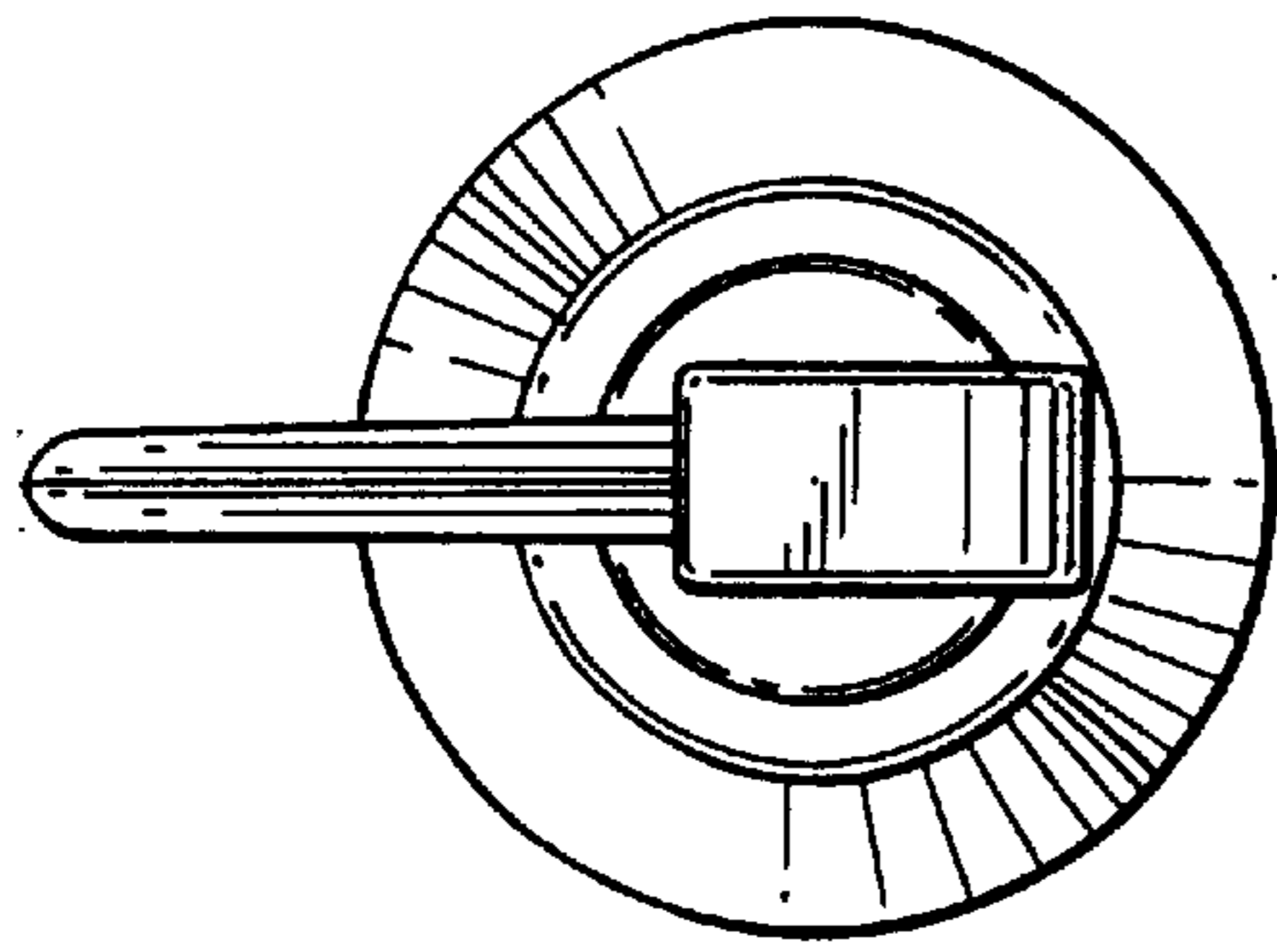


FIG. 3

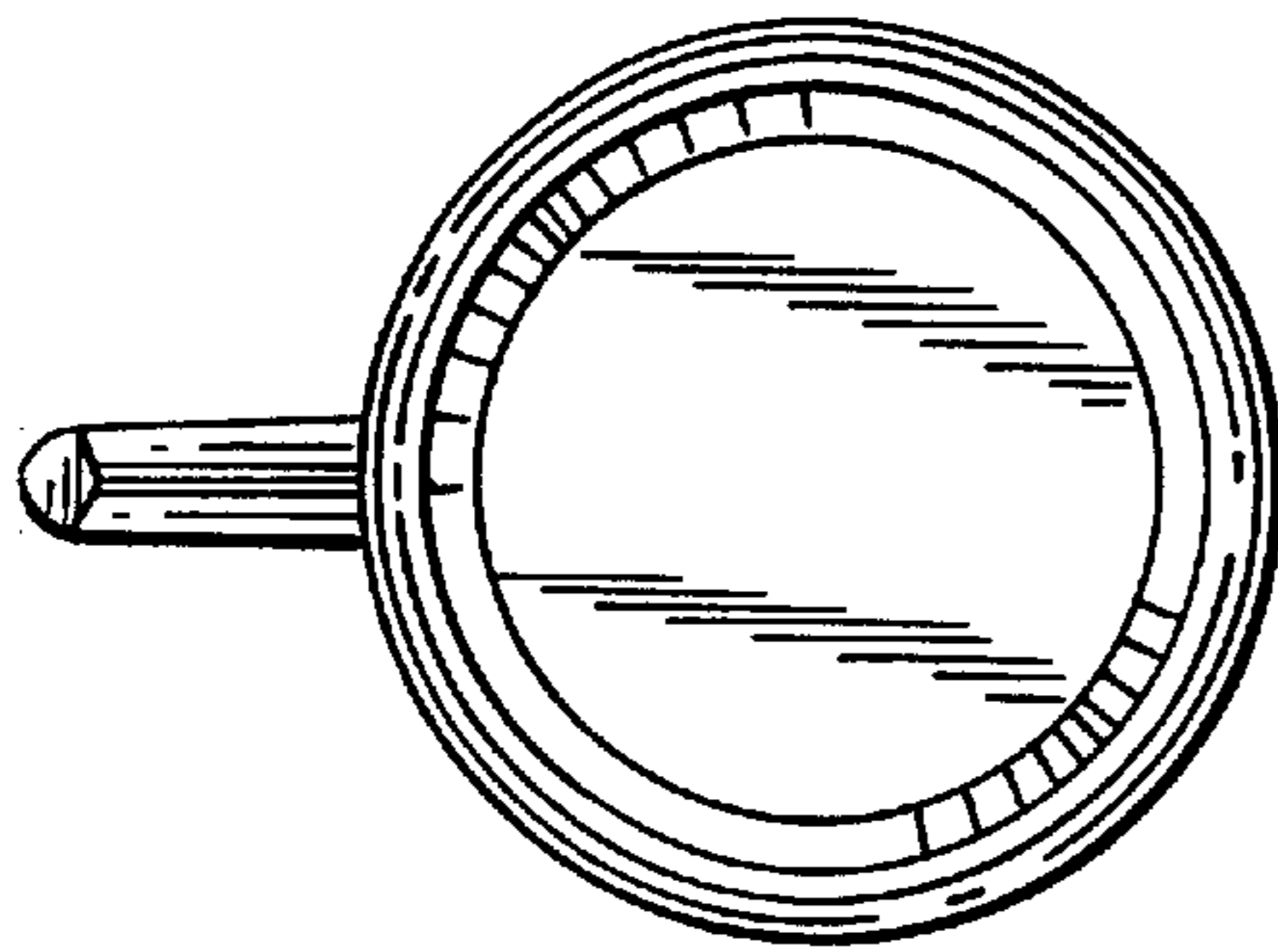


FIG. 6

FIG. 4

