



US00D445968S

(12) **United States Design Patent**  
**Kaplan**

(10) **Patent No.:** **US D445,968 S**

(45) **Date of Patent:** **\*\* Jul. 31, 2001**

(54) **PET FOOD CONTAINER**

5,402,908 \* 4/1995 Warden et al. .... 220/529  
5,501,176 \* 3/1996 Tully ..... 119/61

(75) Inventor: **Joan Kaplan**, Demarest, NJ (US)

\* cited by examiner

(73) Assignee: **Hasbro, Inc.**, Pawtucket, RI (US)

*Primary Examiner*—Pamela Burgess

(\*\*) Term: **14 Years**

(74) *Attorney, Agent, or Firm*—Kurt R. Benson

(21) Appl. No.: **29/135,832**

(57) **CLAIM**

(22) Filed: **Jan. 18, 2001**

The ornamental design for a pet food container, as shown.

(51) **LOC (7) Cl.** ..... **30-07**

**DESCRIPTION**

(52) **U.S. Cl.** ..... **D30/121**

FIG. 1 is a perspective view of the pet food container of the instant invention;

(58) **Field of Search** ..... D30/129, 121-122,  
D30/130-133; 119/71, 51.13, 51.11, 52.01,  
51.01, 60-61, 77, 53.01, 51.05; 220/8,  
529; D7/612, 613, 538-548, 602, 629

FIG. 2 is a top plan view thereof;

FIG. 3 is a bottom plan view thereof;

FIG. 4 is a front elevational view thereof;

FIG. 5 is a rear elevational view thereof;

FIG. 6 is a left side elevational view thereof; and,

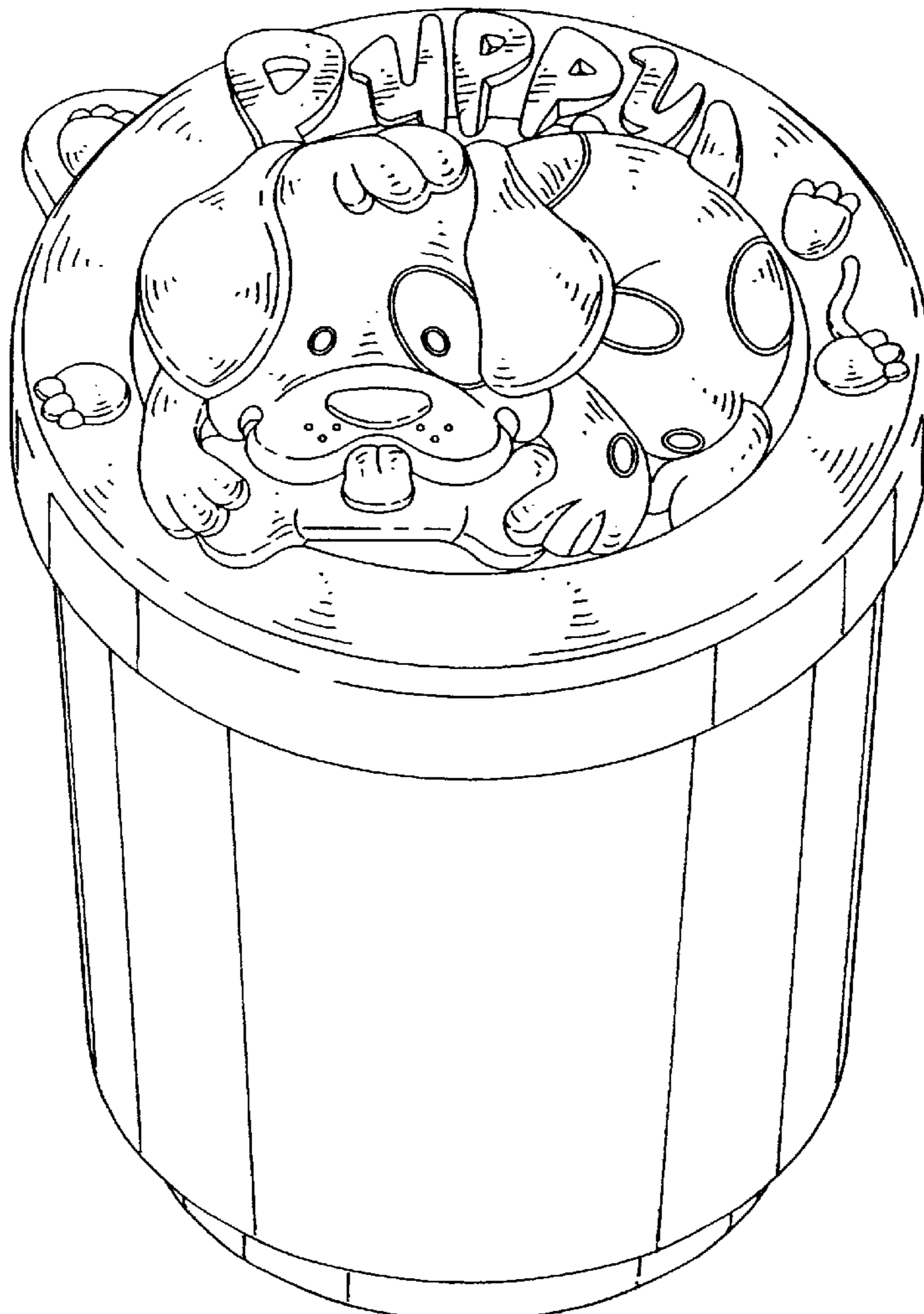
FIG. 7 is a right side elevational view thereof.

(56) **References Cited**

**U.S. PATENT DOCUMENTS**

D. 353,743 \* 12/1994 Jochem ..... D7/612  
D. 401,855 \* 12/1998 Nilssen et al. .... D7/612

**1 Claim, 4 Drawing Sheets**



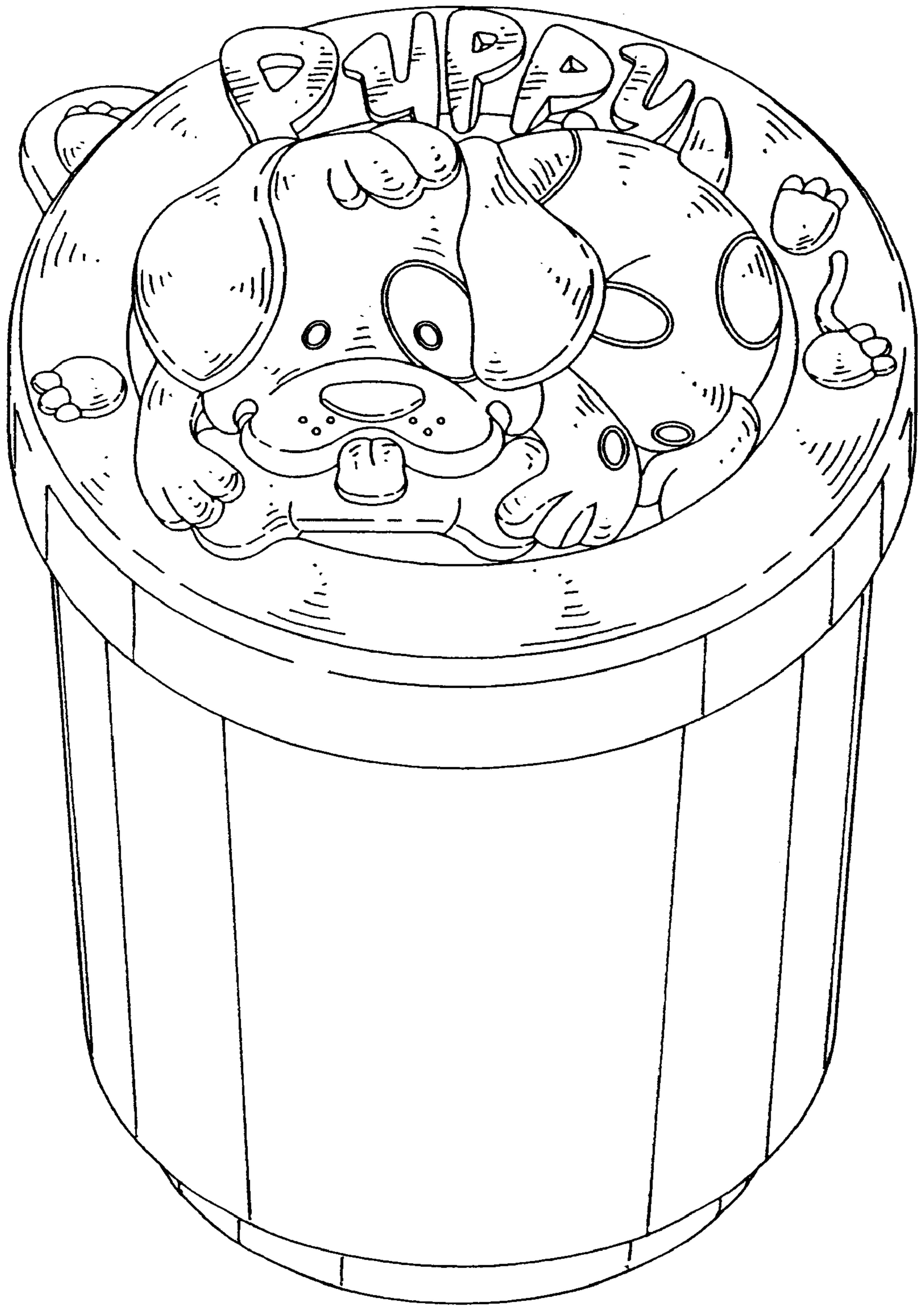


FIG. 1

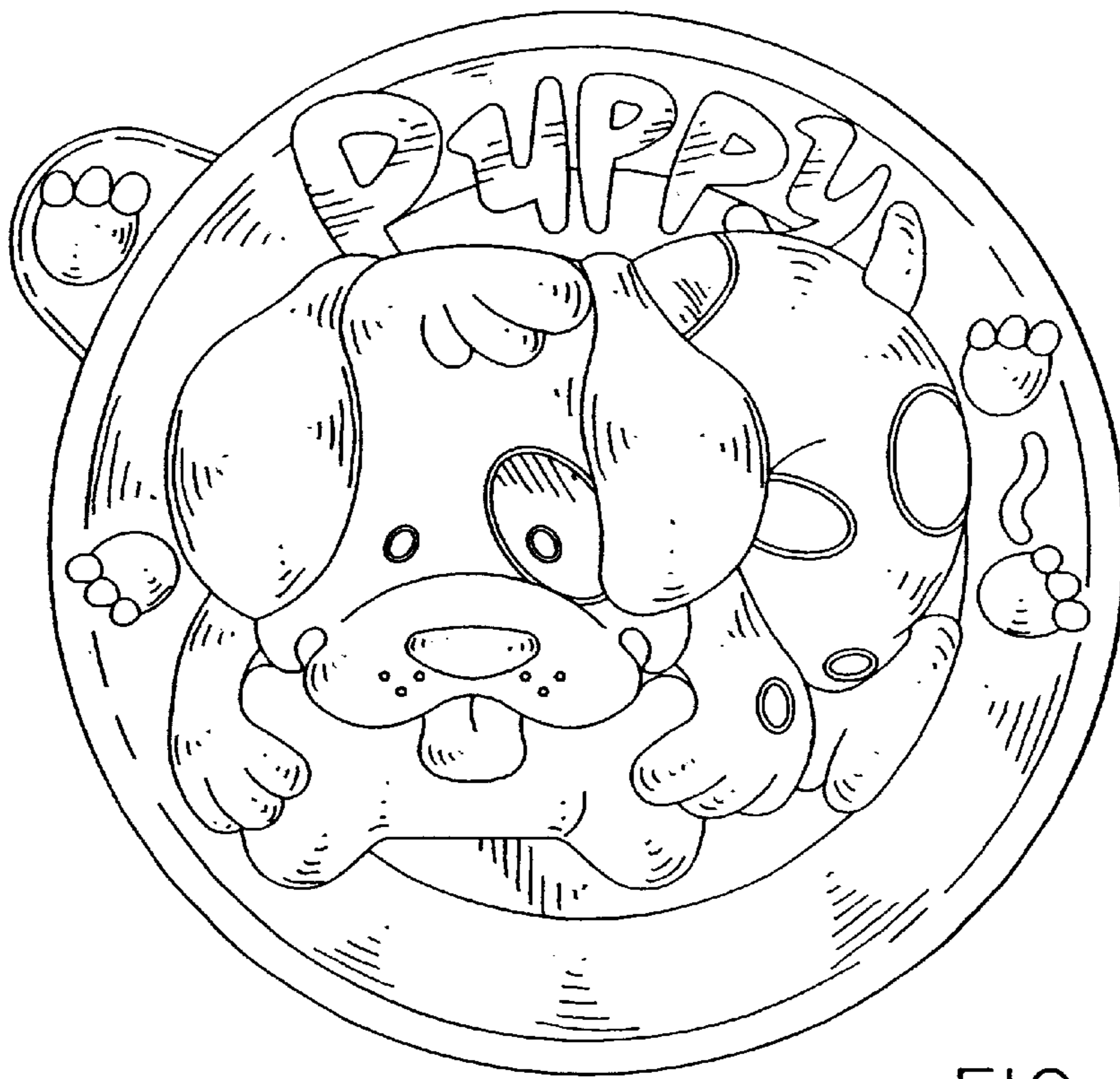


FIG. 2

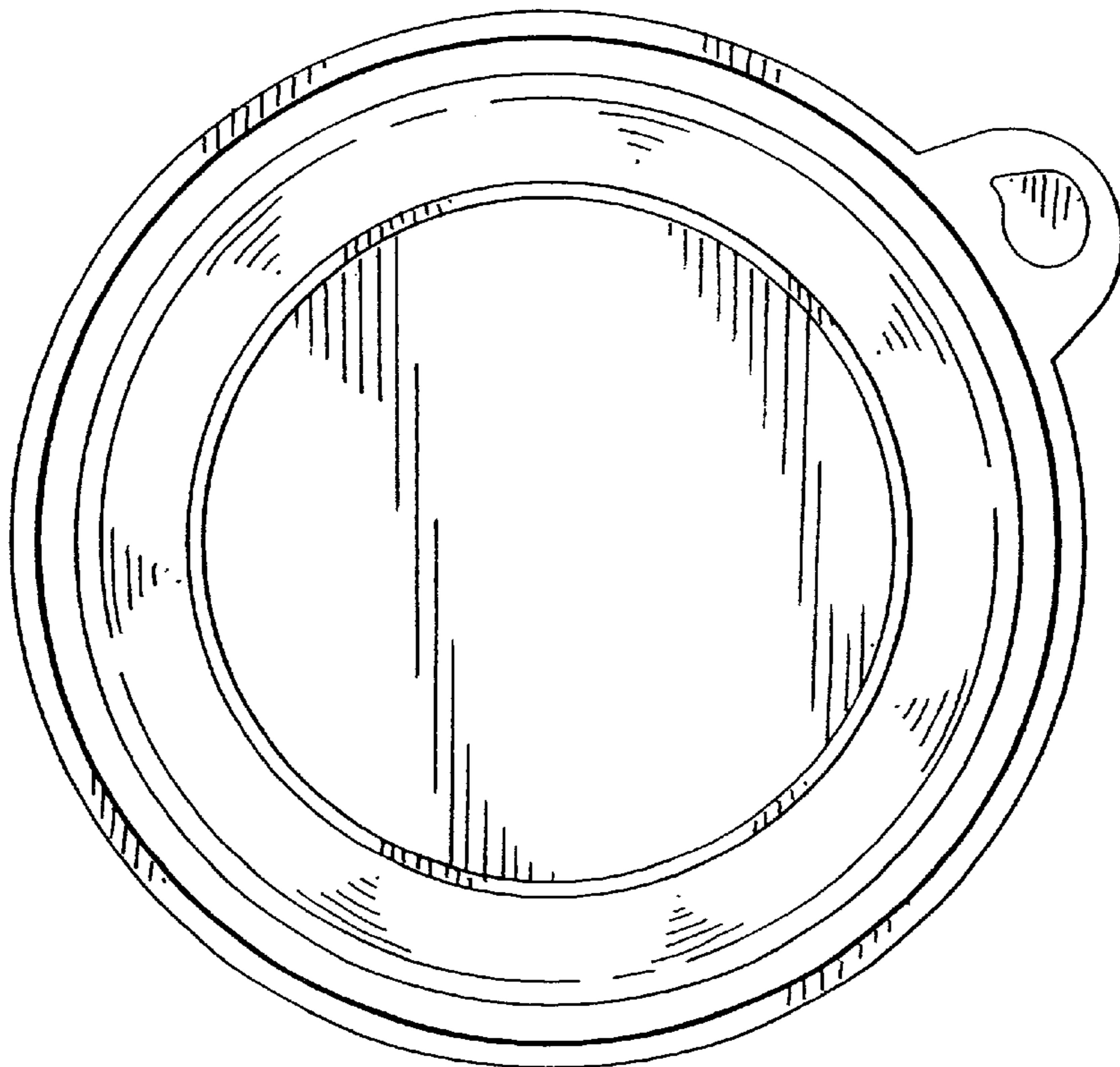


FIG. 3

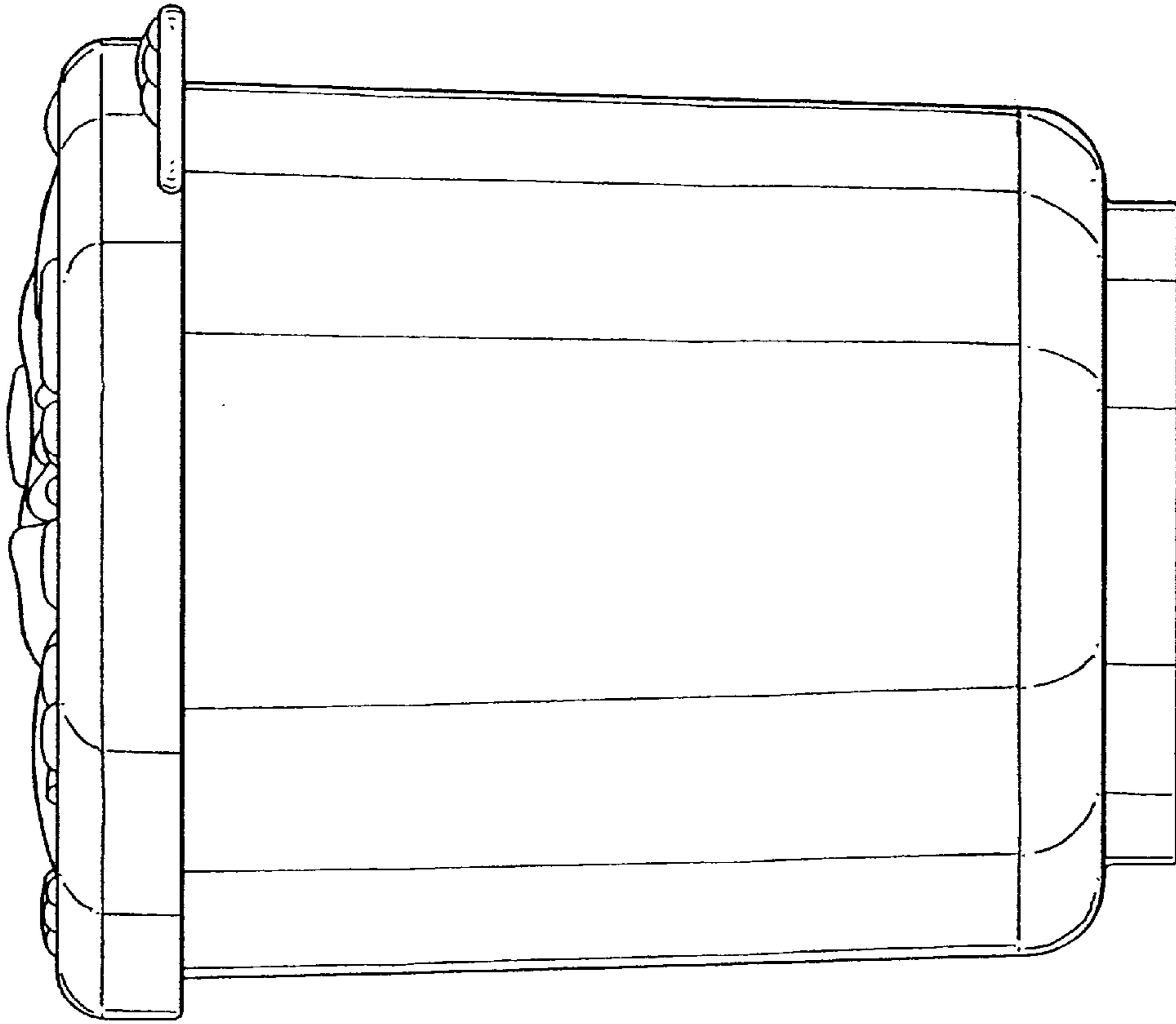


FIG. 5

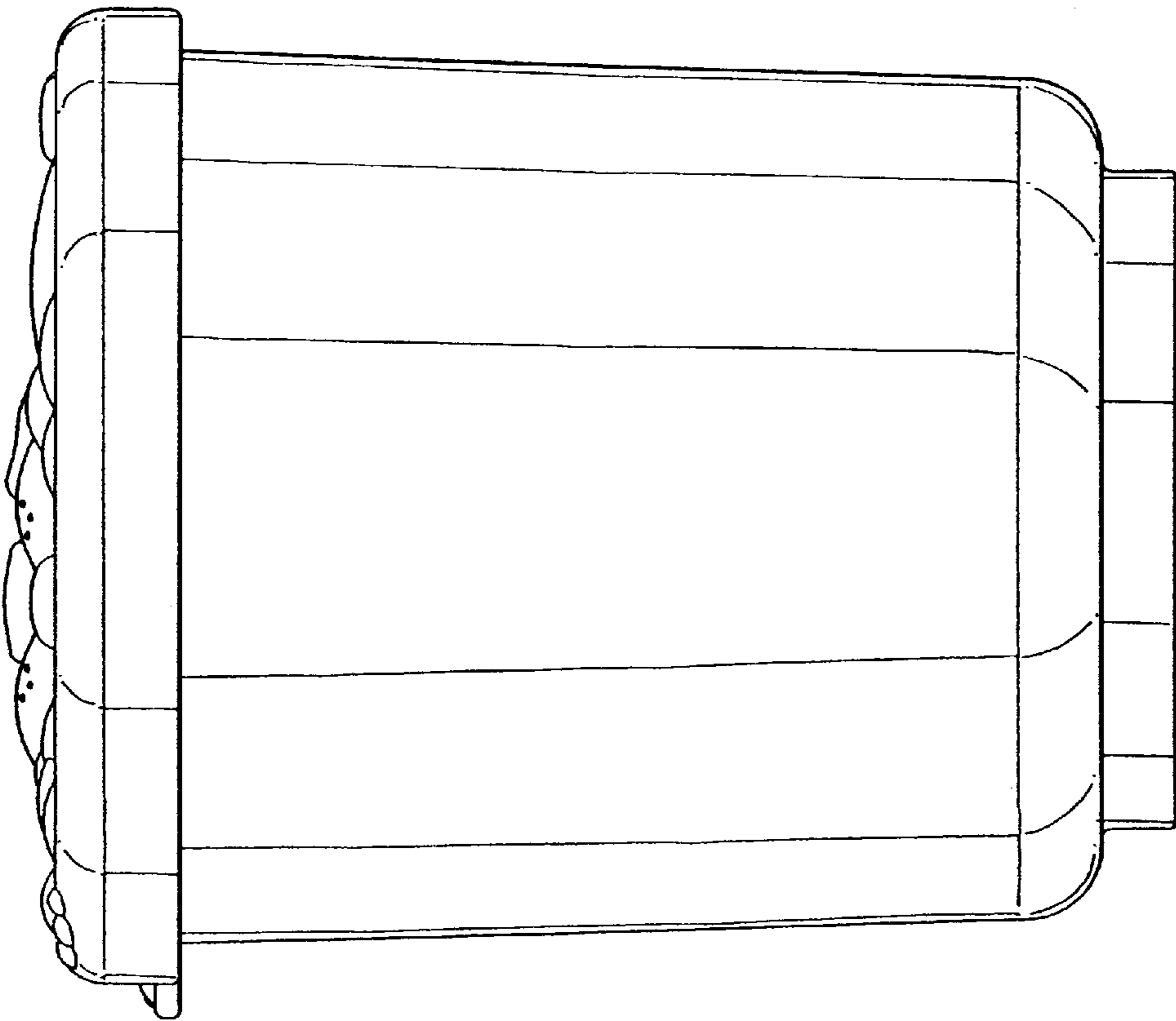


FIG. 4



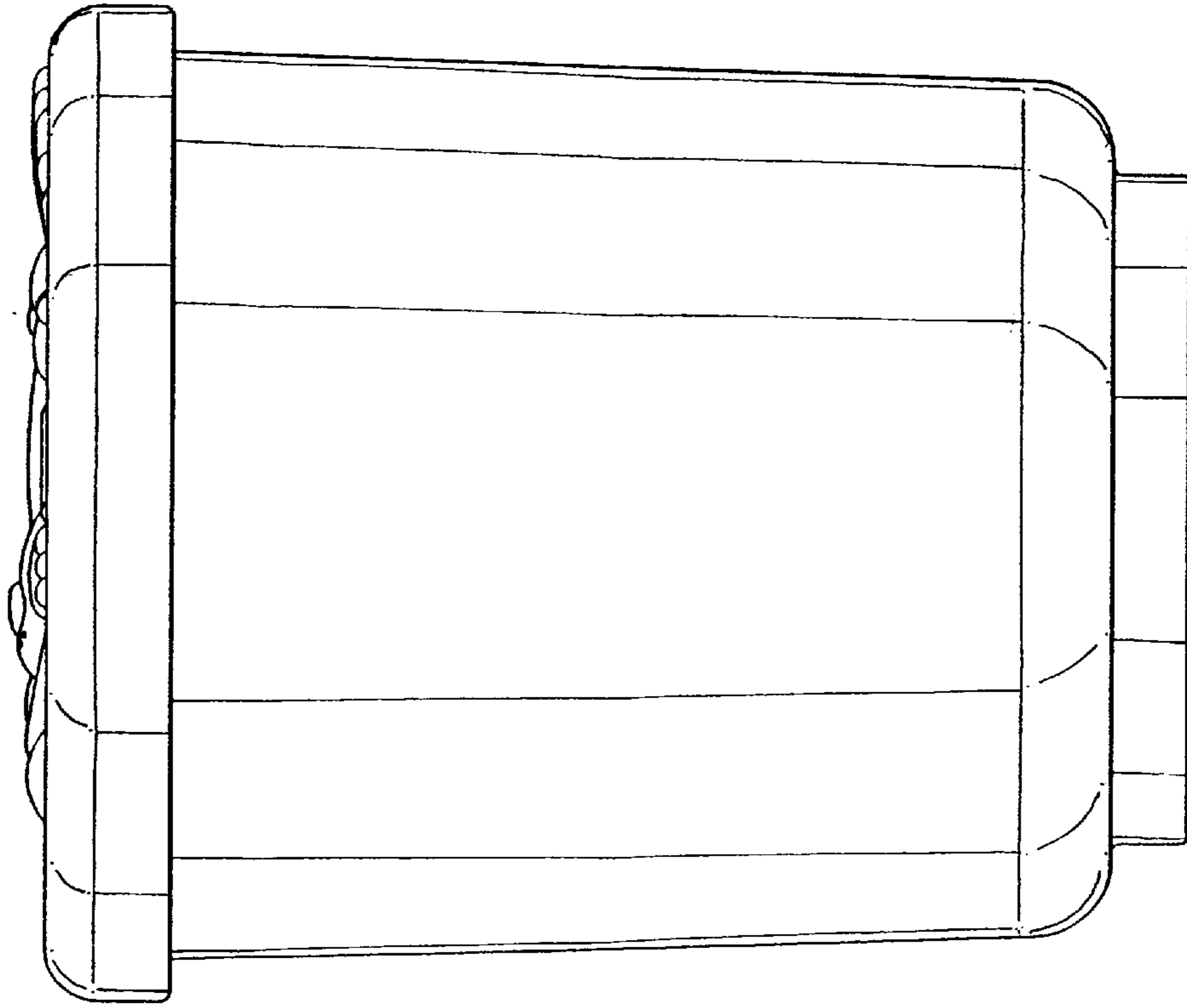


FIG. 7

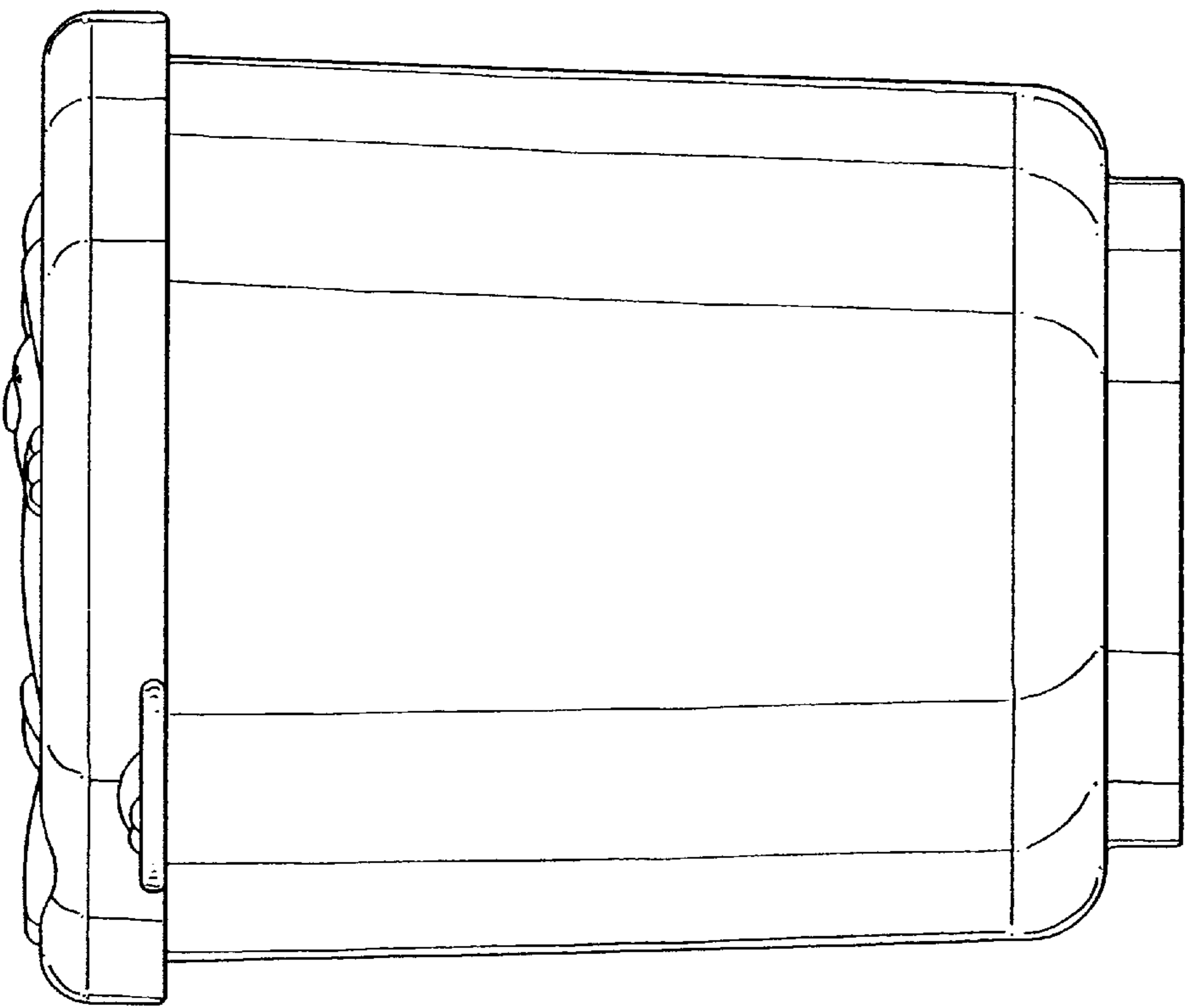


FIG. 6