



US00D445967S

(12) **United States Design Patent**  
**Keisner**

(10) **Patent No.:** **US D445,967 S**

(45) **Date of Patent:** **\*\* Jul. 31, 2001**

(54) **PET FEEDER**

(76) Inventor: **Lawrence G. Keisner**, 4615 Stoner Ave., Culver City, CA (US) 90230-5769

(\*\*) Term: **14 Years**

(21) Appl. No.: **29/112,043**

(22) Filed: **Oct. 8, 1999**

(51) **LOC (7) Cl.** ..... **30-07**

(52) **U.S. Cl.** ..... **D30/121; D30/161; D23/301**

(58) **Field of Search** ..... D38/132, 161, D38/121-122, 129-133; D23/301, 295, 313; 119/61, 51.5, 161, 162

(56) **References Cited**

**U.S. PATENT DOCUMENTS**

- D. 353,229 \* 12/1994 Trigoboff et al. .... D30/121
- D. 355,056 \* 1/1995 Burnet ..... D30/132
- D. 378,625 \* 3/1997 Stone ..... D30/129
- D. 391,693 \* 3/1998 Janiak ..... D30/129

- D. 392,075 \* 3/1998 Holt ..... D30/129
- 5,904,117 \* 5/1999 Castro ..... 119/51.5

\* cited by examiner

*Primary Examiner*—Pamela Burgess

(74) *Attorney, Agent, or Firm*—Robert M. Sperry

(57) **CLAIM**

The ornamental design for a pet feeder, as shown and described.

**DESCRIPTION**

FIG. 1 is an isometric view of the pet feeder showing my new design;

FIG. 2 is a rear isometric view of the pet feeder of FIG. 1;

FIG. 3 is a plan view of the pet feeder of FIG. 1;

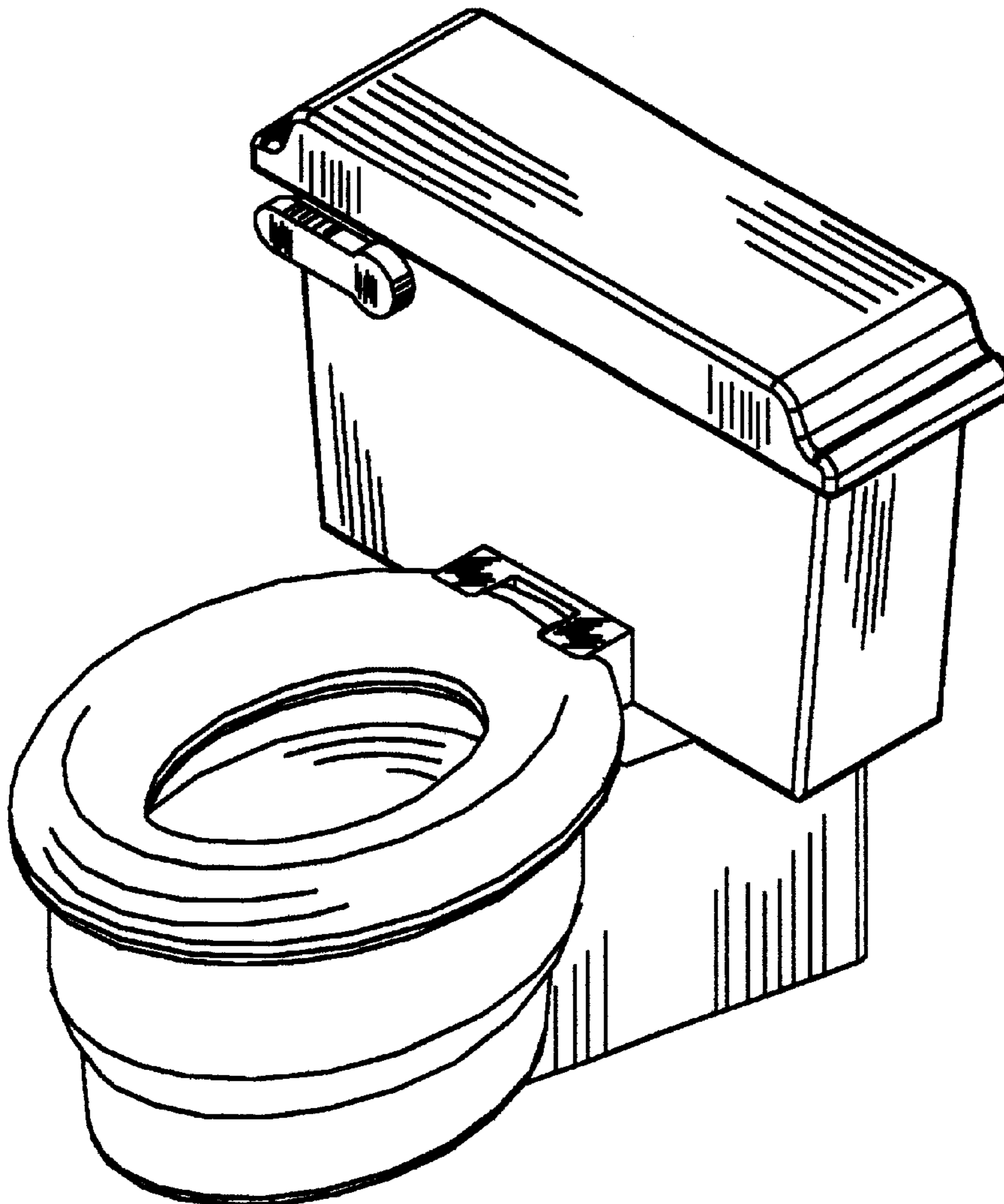
FIG. 4 is a front view of the pet feeder of FIG. 1;

FIG. 5 is a rear view of the pet feeder of FIG. 1;

FIG. 6 is a bottom view of the pet feeder of FIG. 1; and,

FIG. 7 is an enlarged left side view of the pet feeder of FIG. 1.

**1 Claim, 4 Drawing Sheets**



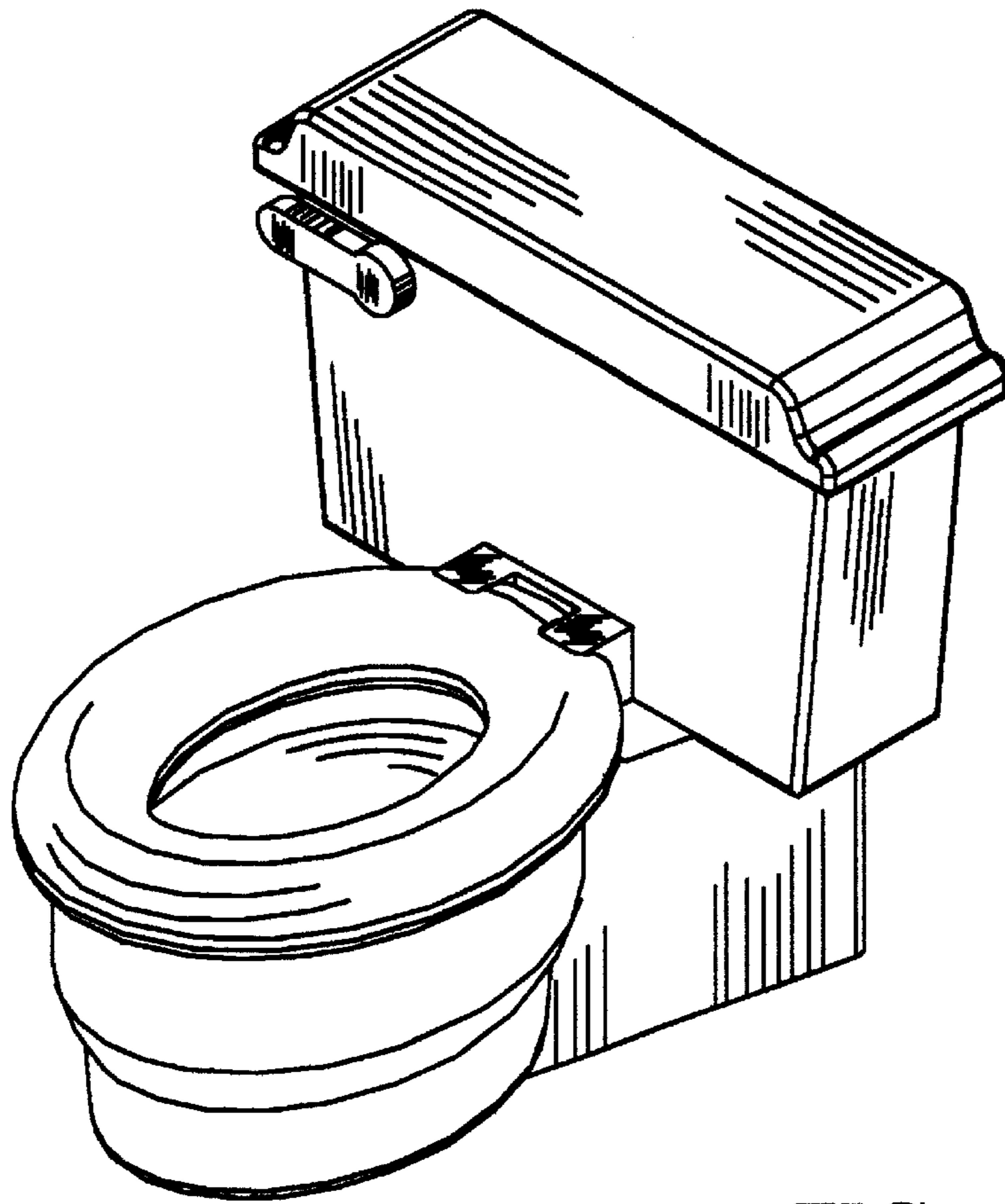


FIG. 1

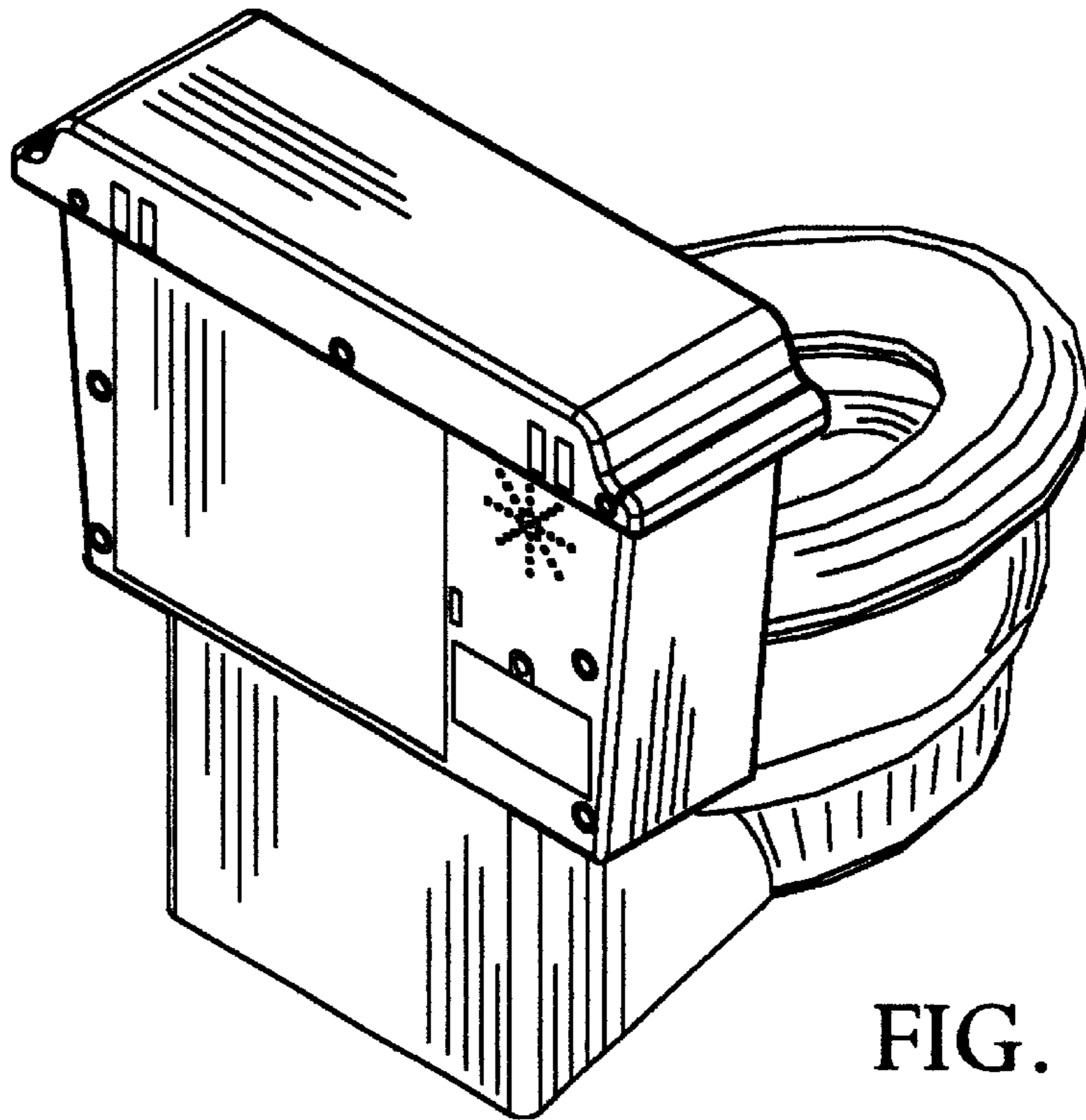


FIG. 2

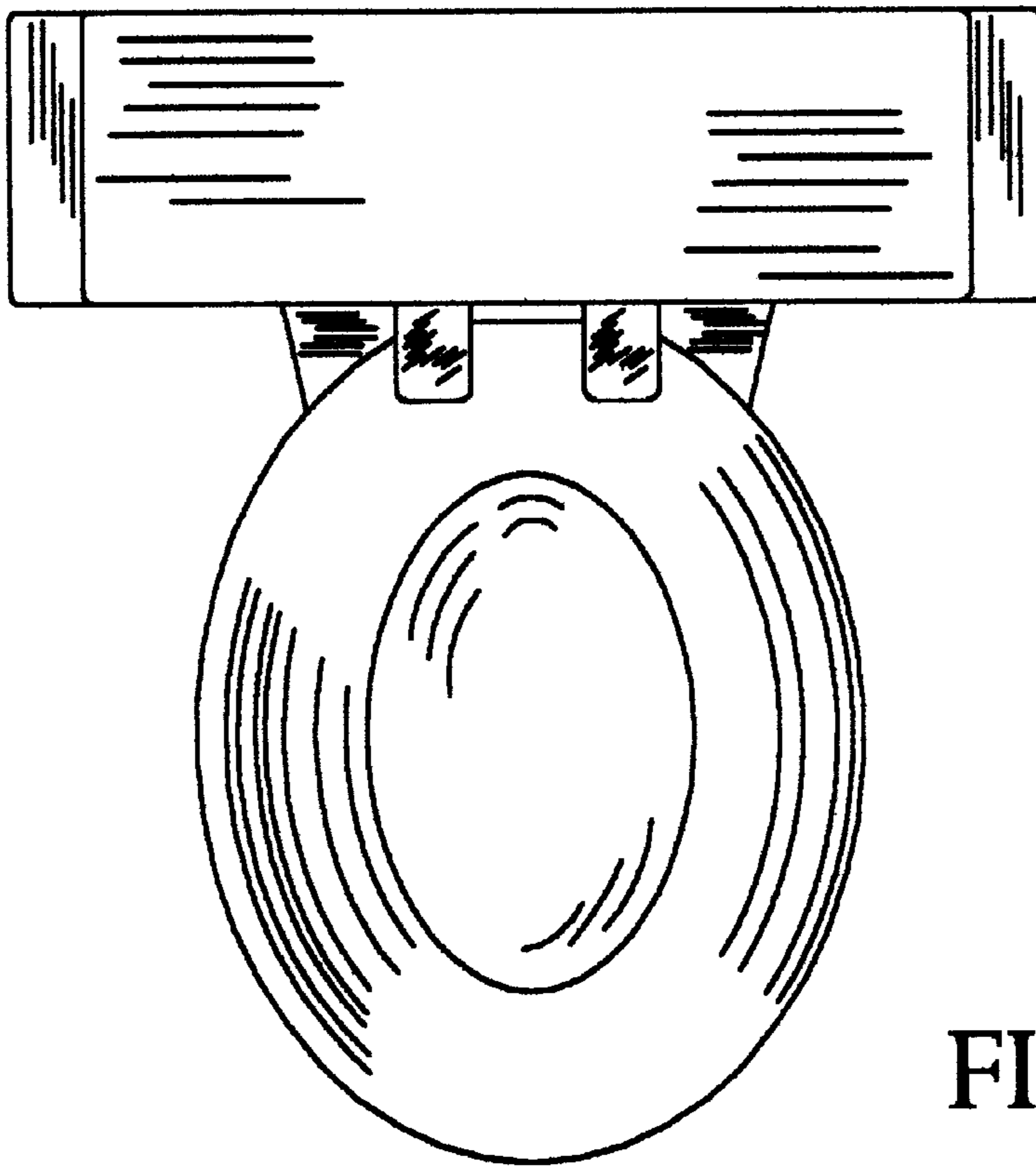


FIG. 3

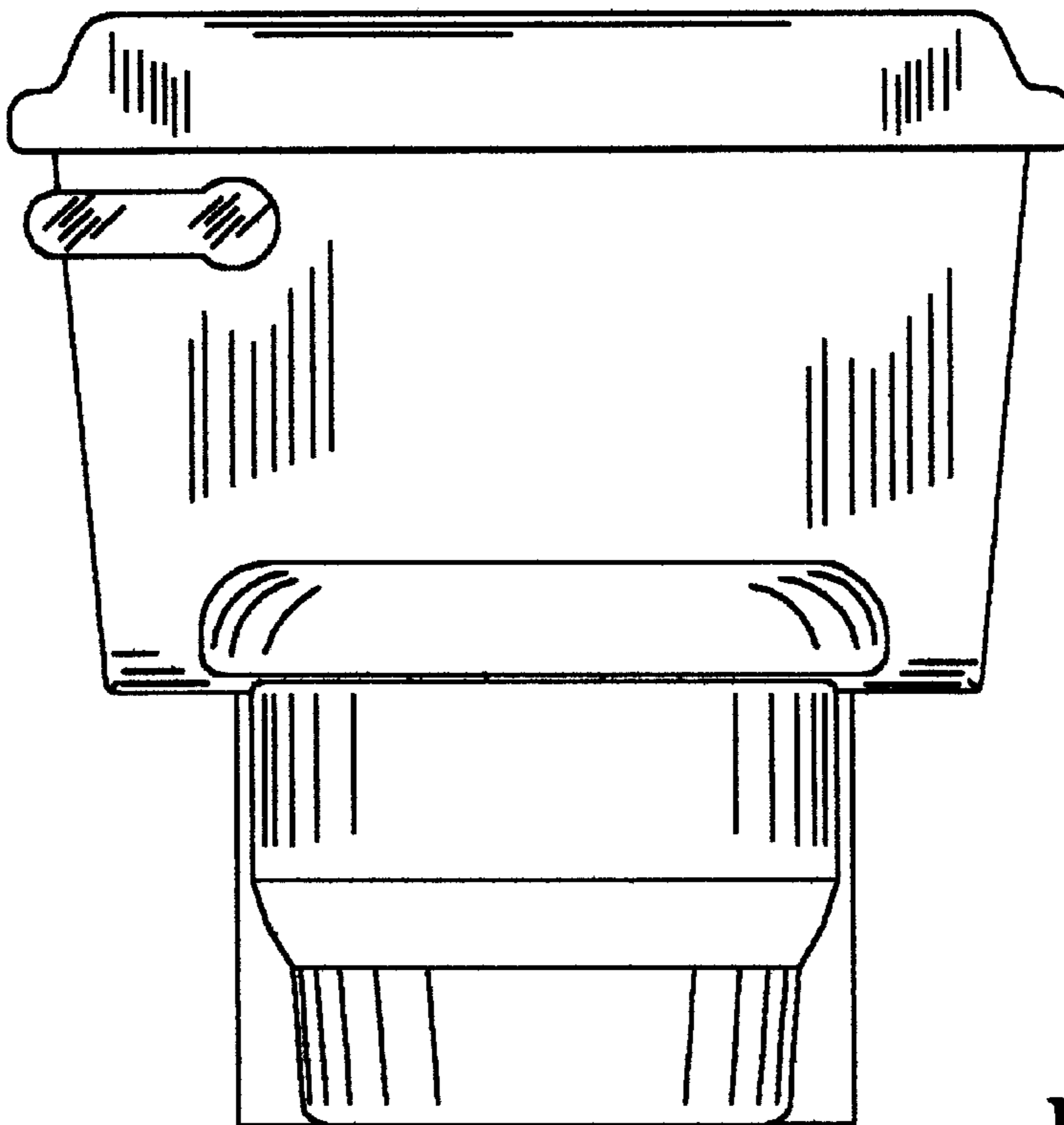


FIG. 4

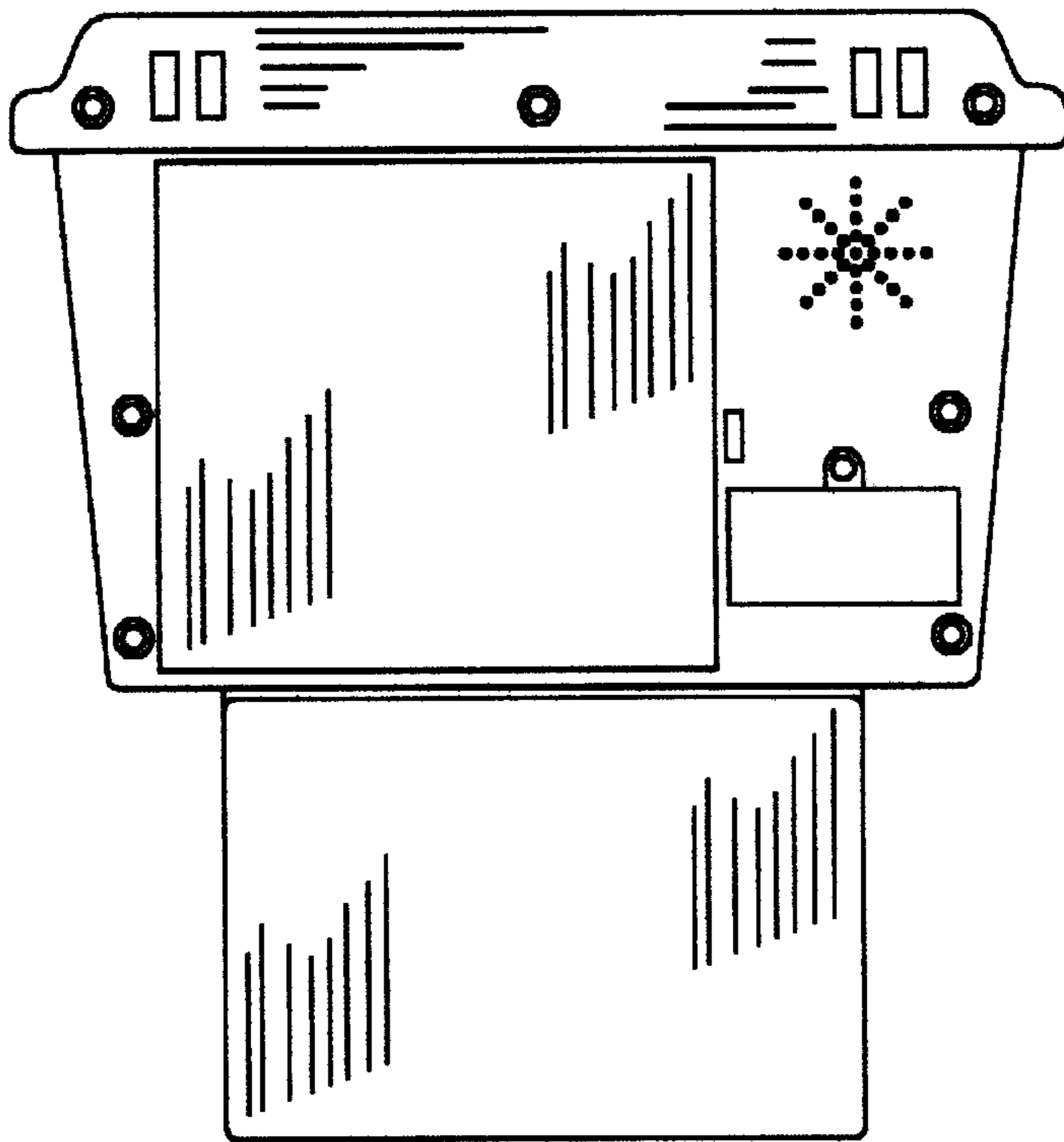


FIG. 5

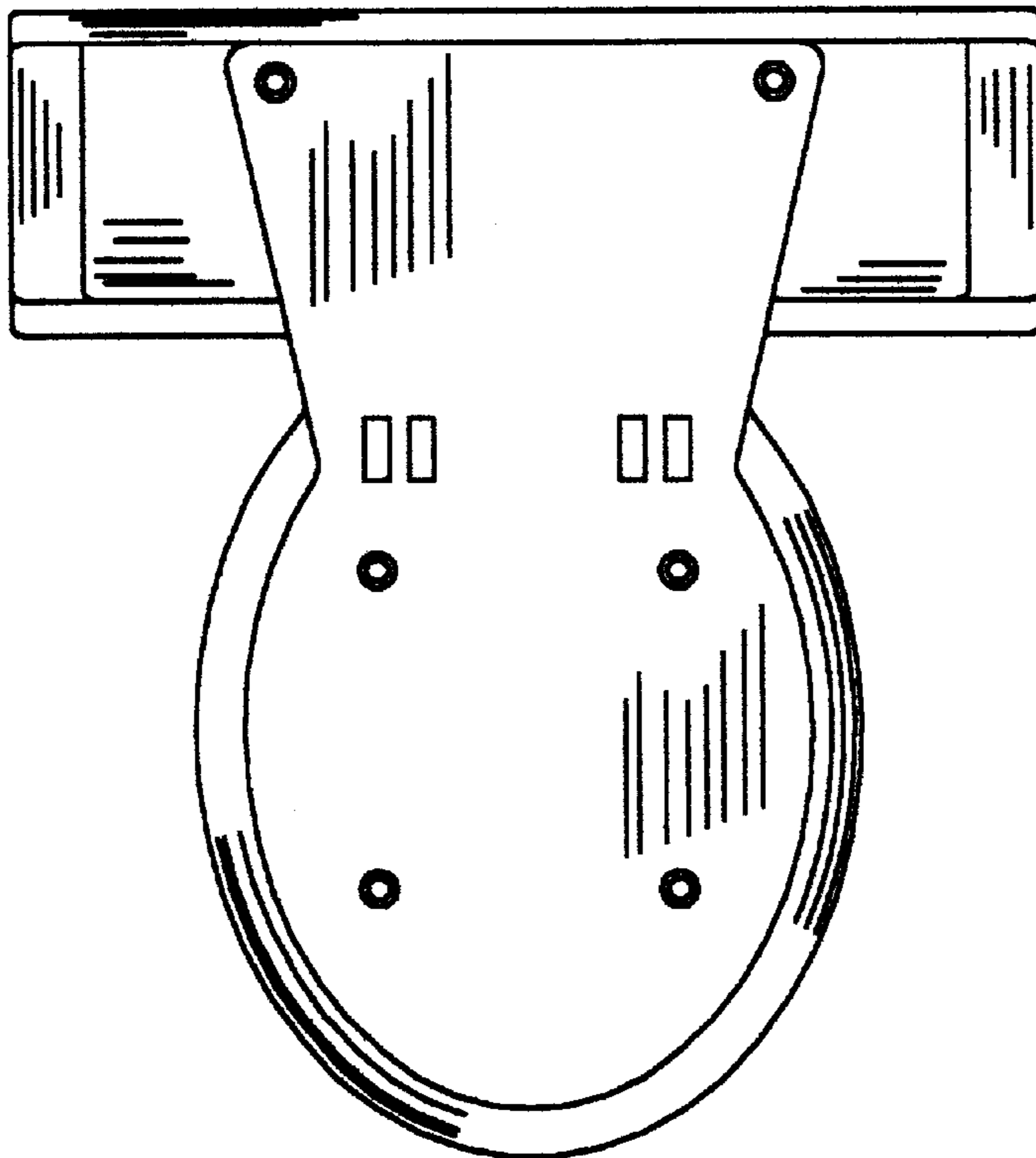


FIG. 6

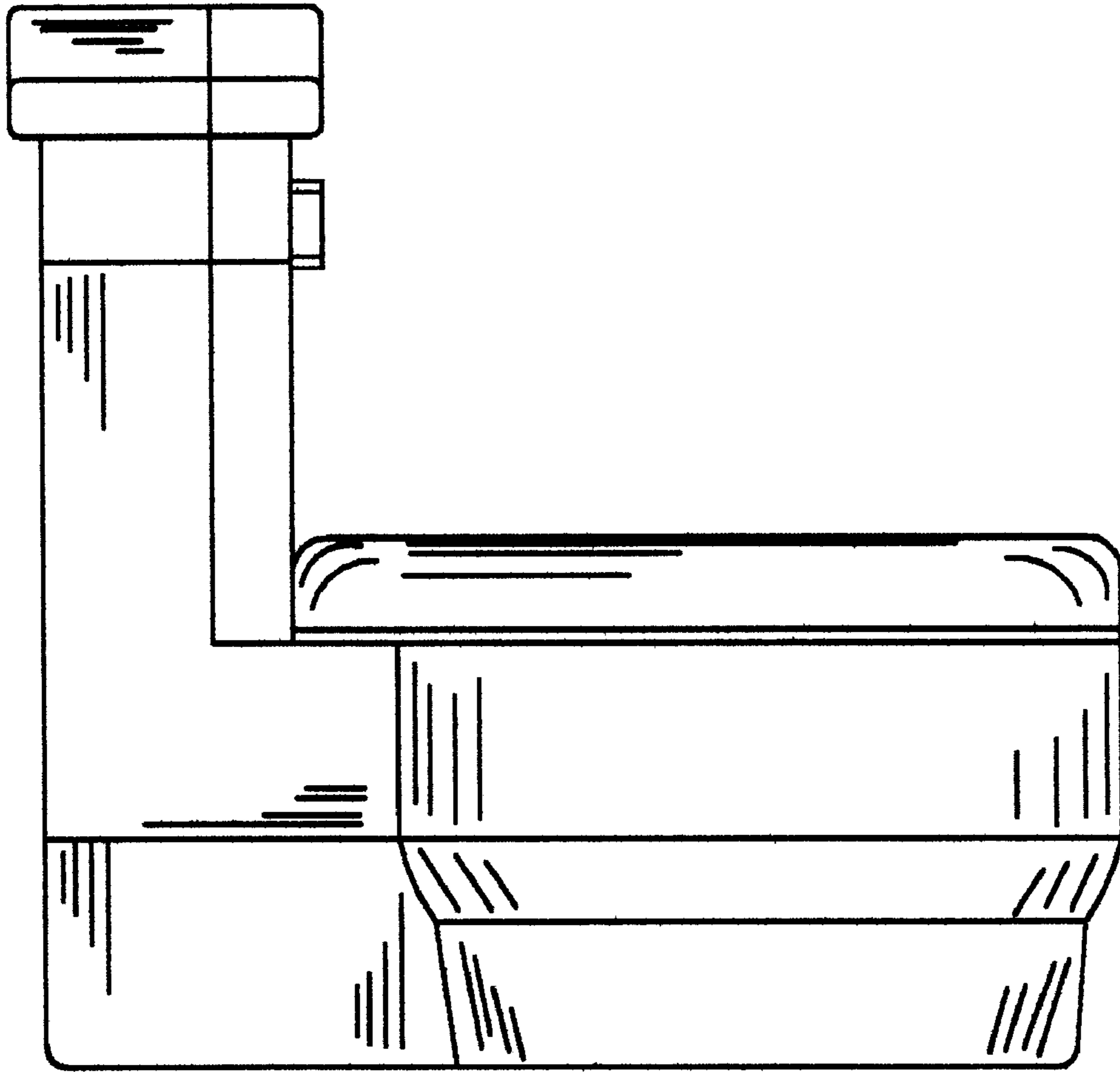


FIG. 7