



US00D445965S

(12) **United States Design Patent**
Licciardello

(10) **Patent No.:** **US D445,965 S**

(45) **Date of Patent:** **** Jul. 31, 2001**

(54) **MOBILE PET CARRIER**

(76) **Inventor:** **Mary A. Licciardello**, 8 Greenleaf St.,
Whiting, NJ (US) 08759

(**) **Term:** **14 Years**

(21) **Appl. No.:** **29/133,624**

(22) **Filed:** **Dec. 4, 2000**

(51) **LOC (7) Cl.** **30-02**

(52) **U.S. Cl.** **D30/109; D12/129**

(58) **Field of Search** D30/108-112,
D30/114-119, 160-161; 119/702, 706-708,
602, 621-622, 452-453, 497, 501, 455,
459, 462, 467, 416, 436, 482, 496, 502;
D12/129

(56) **References Cited**

U.S. PATENT DOCUMENTS

D. 187,534	*	3/1960	Benjamin	D30/112
D. 209,838	*	1/1968	Artig	D30/108
D. 295,276	*	4/1988	Brown et al.	D12/128
D. 299,565	*	1/1989	Hsu	D30/102
D. 331,131	*	11/1992	Quillen	D30/109
D. 332,069	*	12/1992	Gibson et al.	D12/129
D. 335,965	*	6/1993	Spring	D30/108
D. 366,511	*	1/1996	Coddington, Jr.	D21/834
D. 376,773	*	12/1996	Bell	D12/101
D. 396,027	*	7/1998	Kunzman et al.	D12/129
D. 421,940	*	3/2000	Gibson et al.	D12/129

D. 423,416	*	4/2000	Shepherd	D12/129
D. 424,483	*	5/2000	Tripodi	D12/133
D. 431,884	*	10/2000	Moreno	D30/108
2,821,165	*	1/1958	Wright	119/482
3,156,213	*	11/1964	Patten	119/497
4,487,428	*	12/1984	Harada et al.	D12/129
5,113,793	*	5/1992	Leader et al.	119/453
5,467,734	*	11/1995	Ho	119/496
5,533,466	*	7/1996	Kohus et al.	119/459
5,901,664	*	5/1999	McKernan	119/453
5,988,110	*	11/1999	Peterson	119/453

* cited by examiner

Primary Examiner—Cathy Anne MacCormac

(74) *Attorney, Agent, or Firm*—Mandel & Peslak, LLC;
Arthur M. Peslak

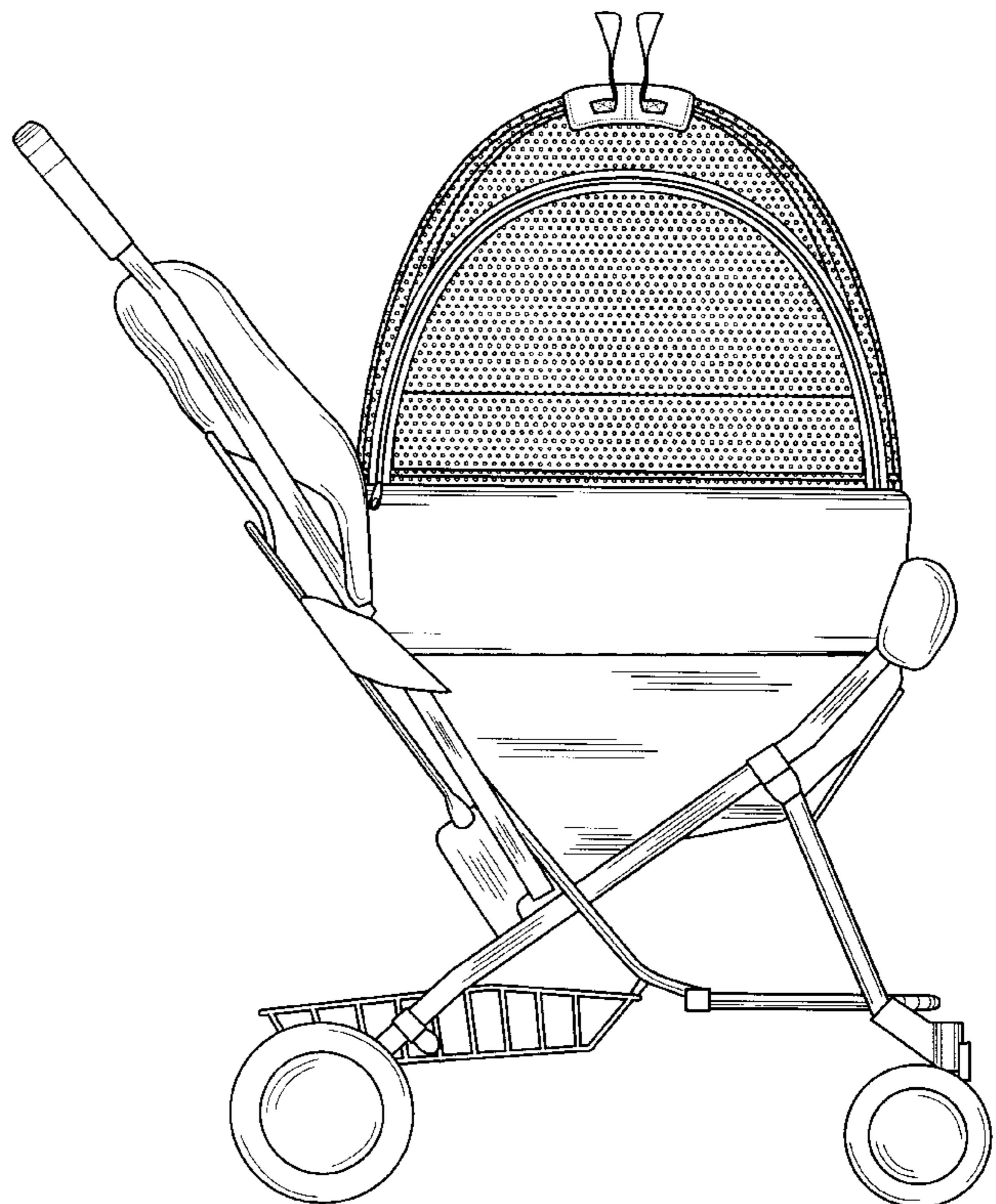
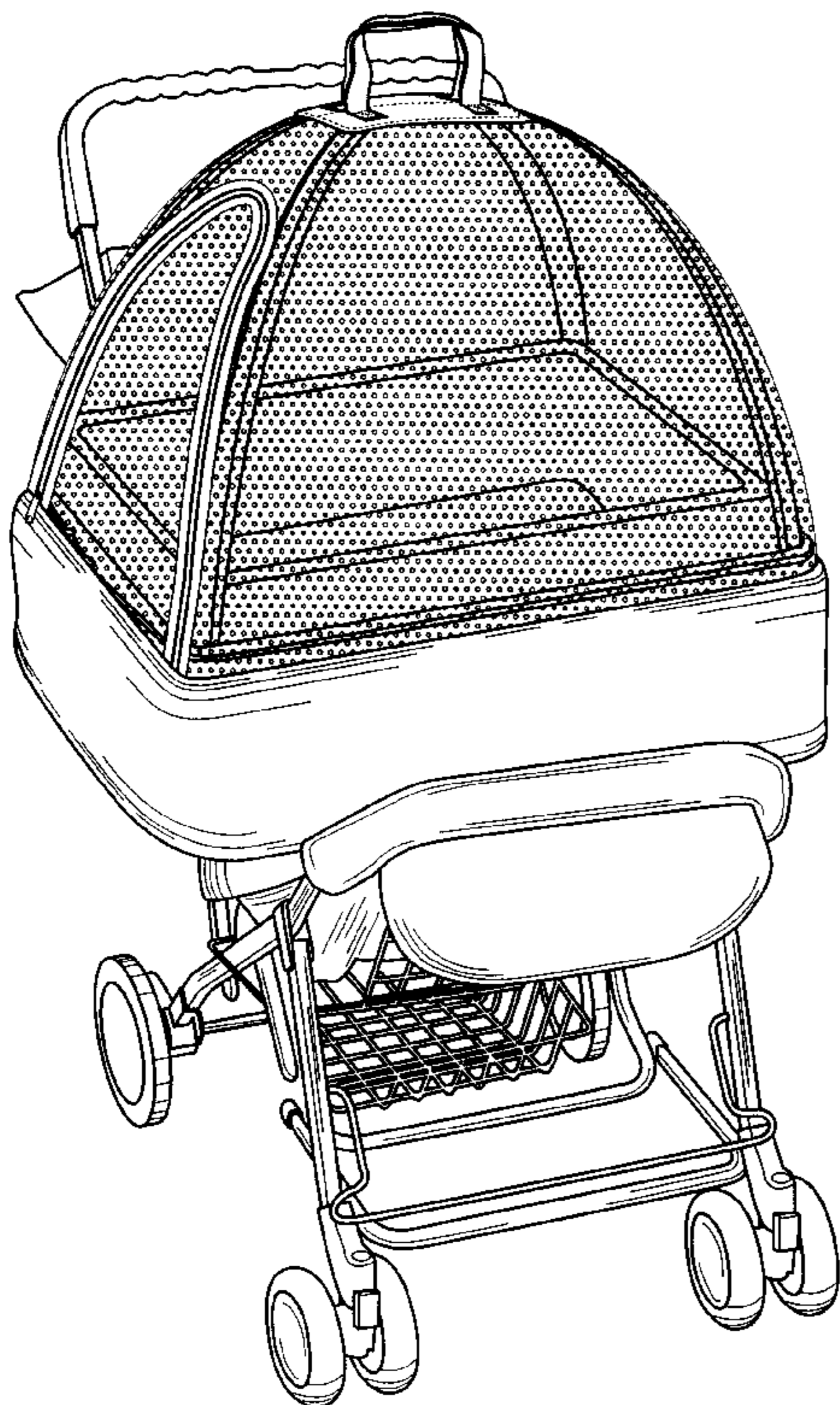
(57) **CLAIM**

What is claimed is the ornamental design for a mobile pet carrier, as shown and described.

DESCRIPTION

FIG. 1 is a front perspective view of the present invention; FIG. 2 is a front perspective view of the present invention; FIG. 3 is a rear perspective view of the present invention; FIG. 4 is a side perspective view of the present invention; FIG. 5 is a side perspective view of the present invention; FIG. 6 is a top perspective view of the present invention; and, FIG. 7 is a bottom perspective view of the present invention.

1 Claim, 5 Drawing Sheets



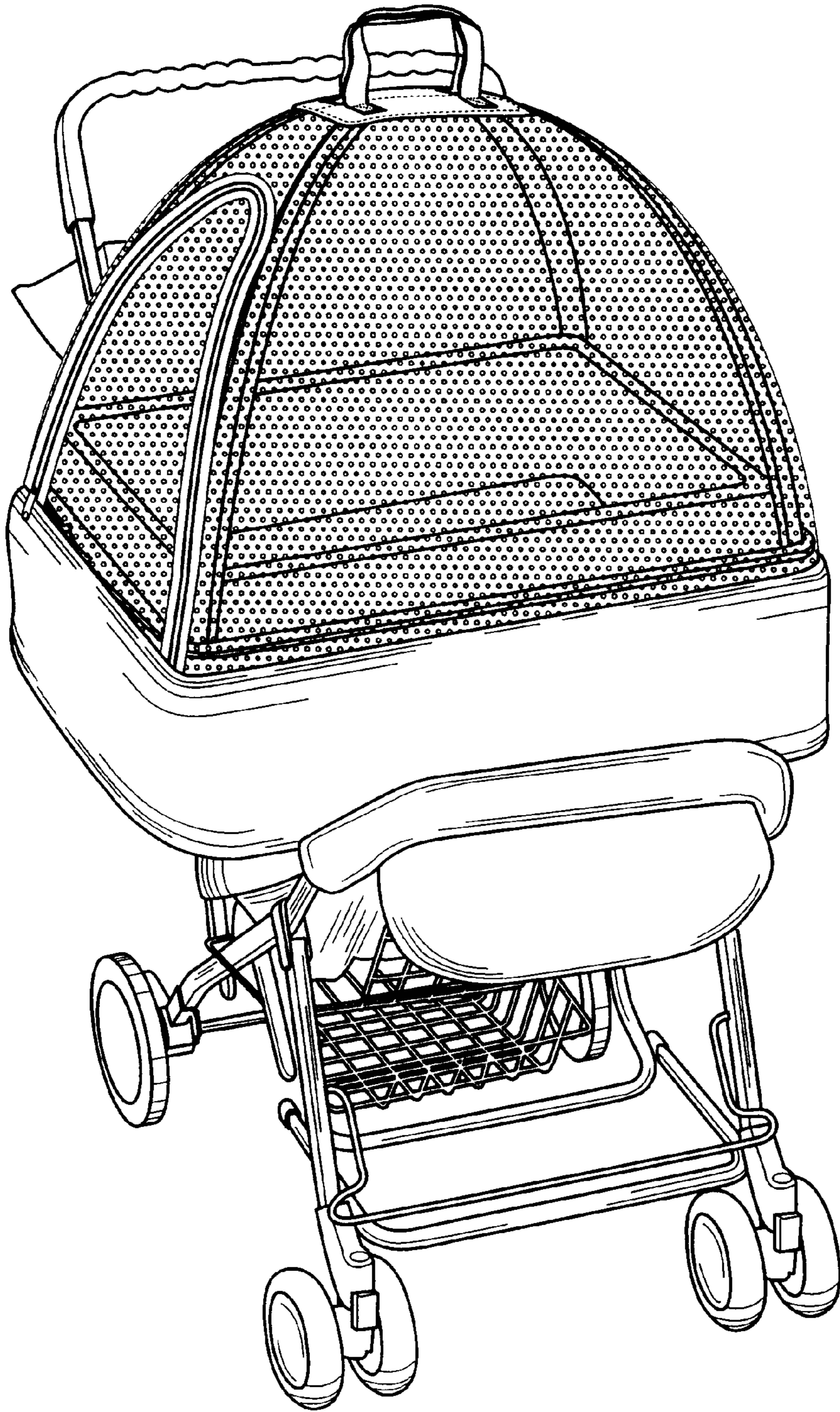


FIG. 1

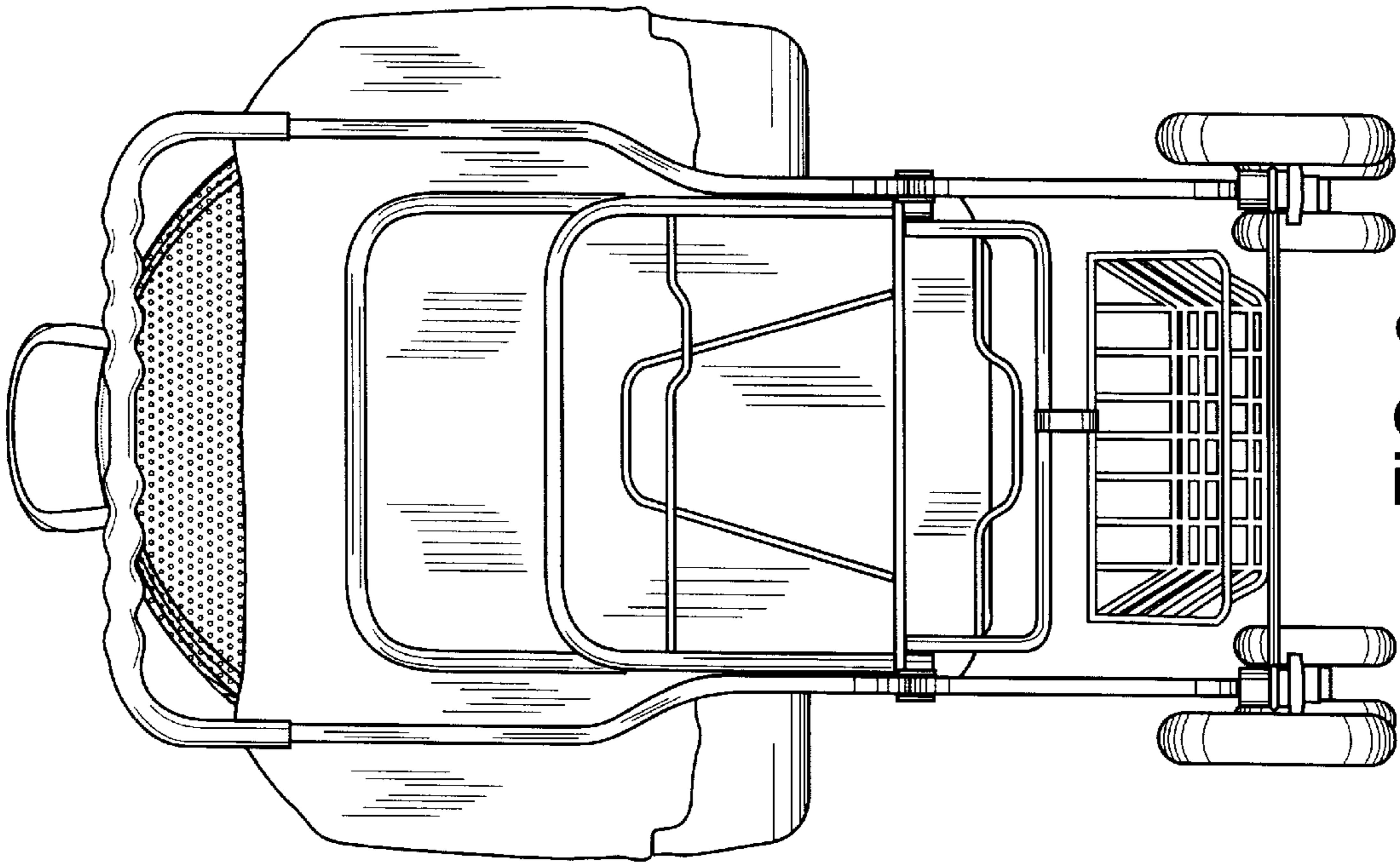


FIG. 3

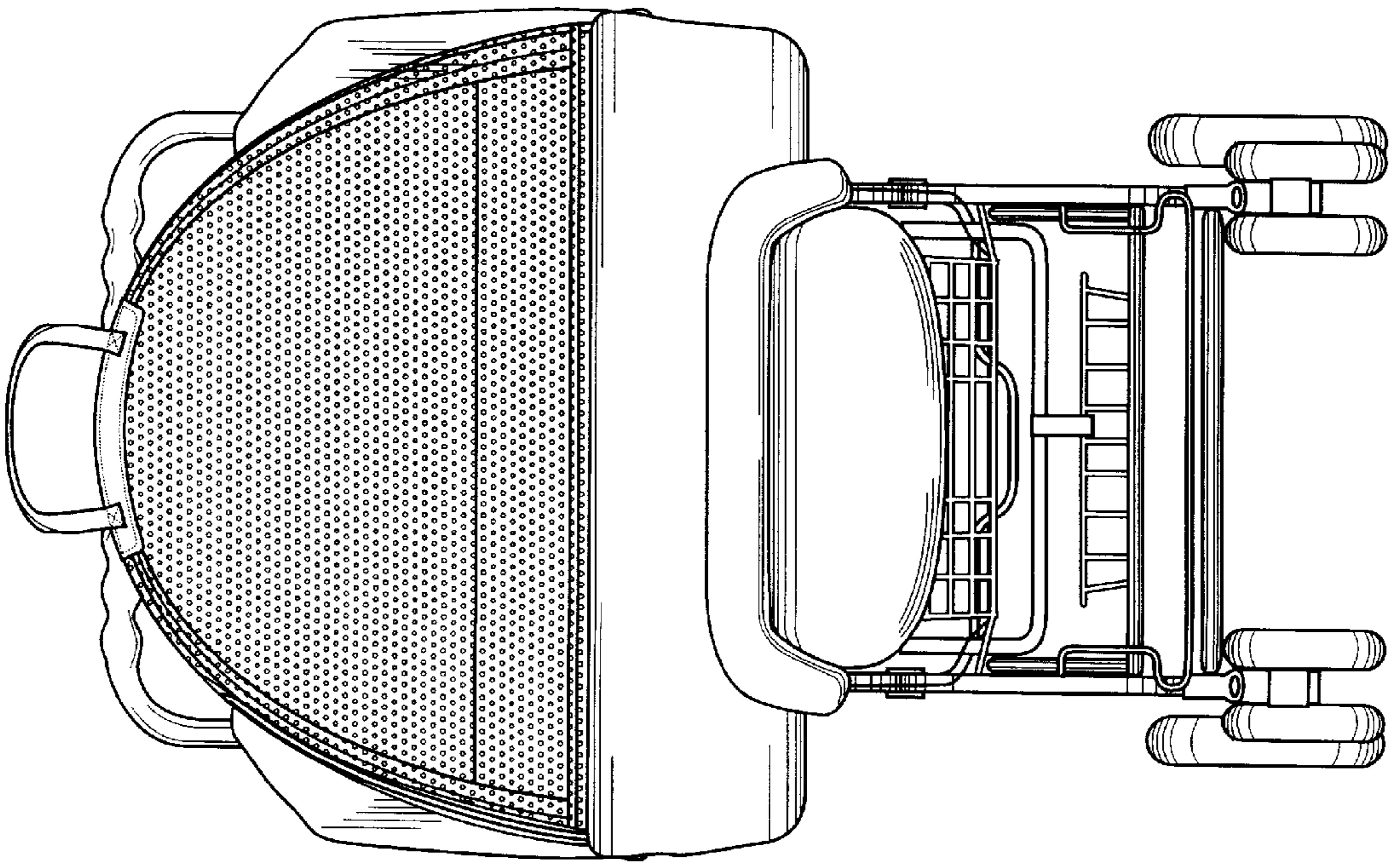


FIG. 2

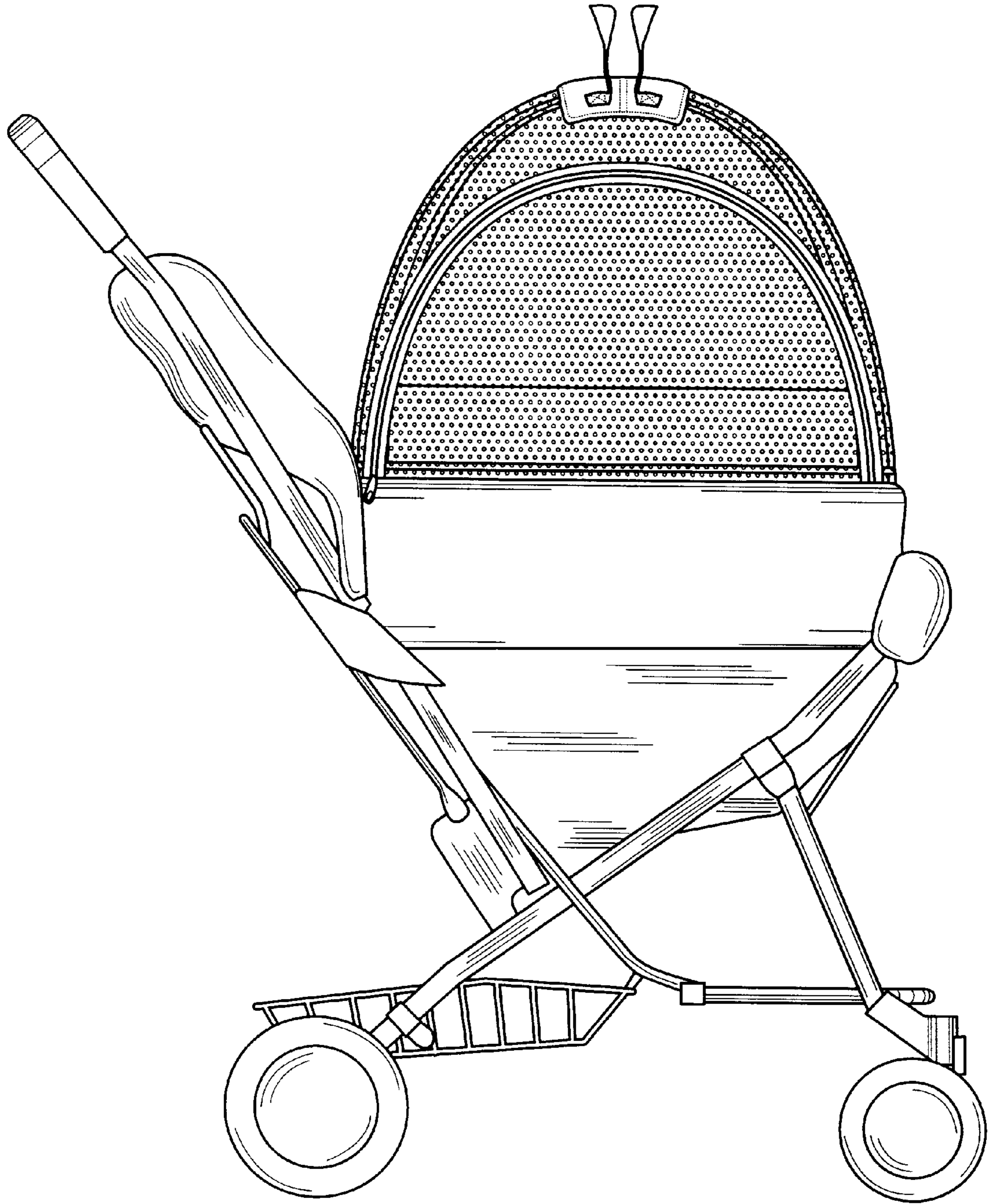


FIG. 4

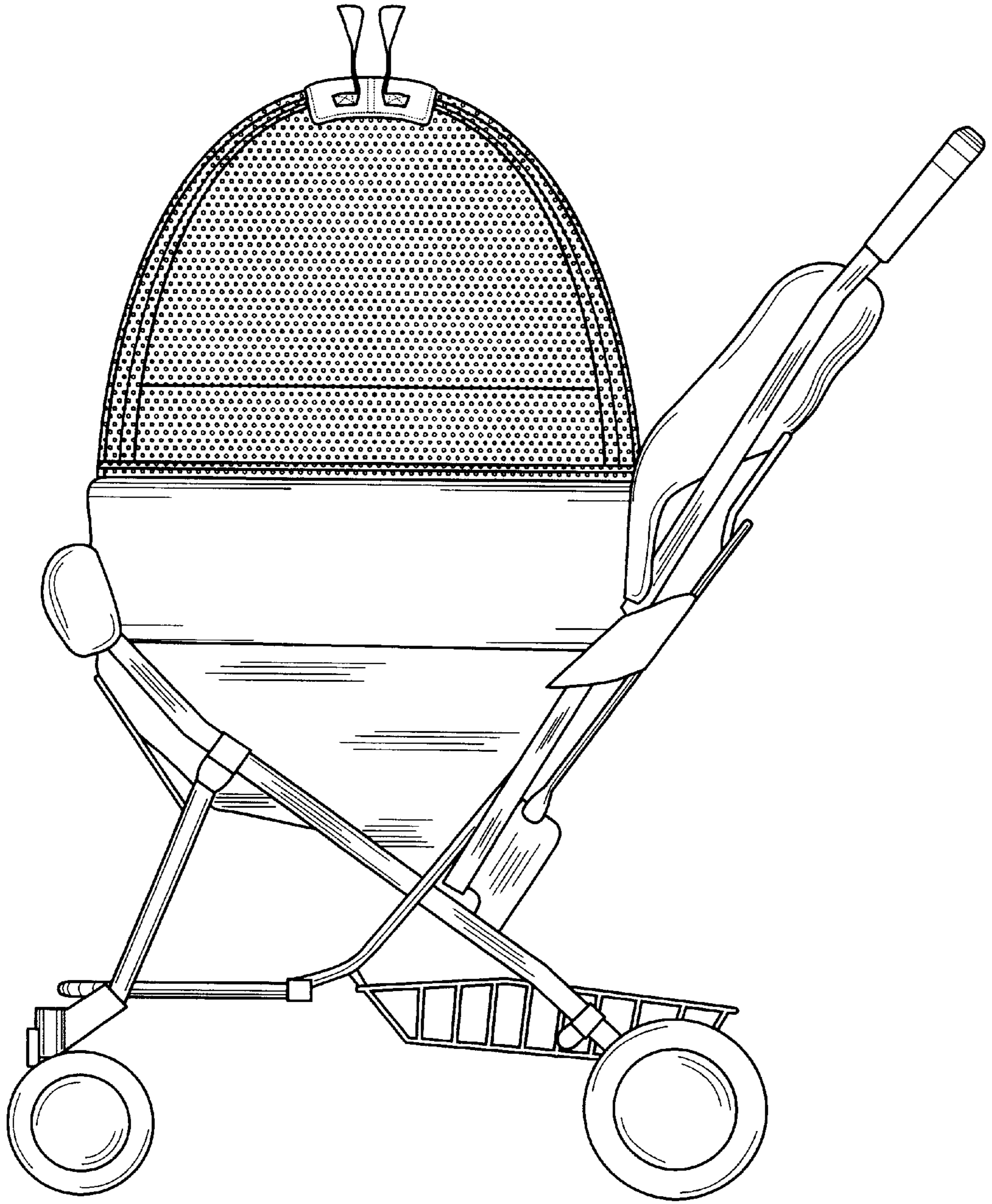


FIG. 5

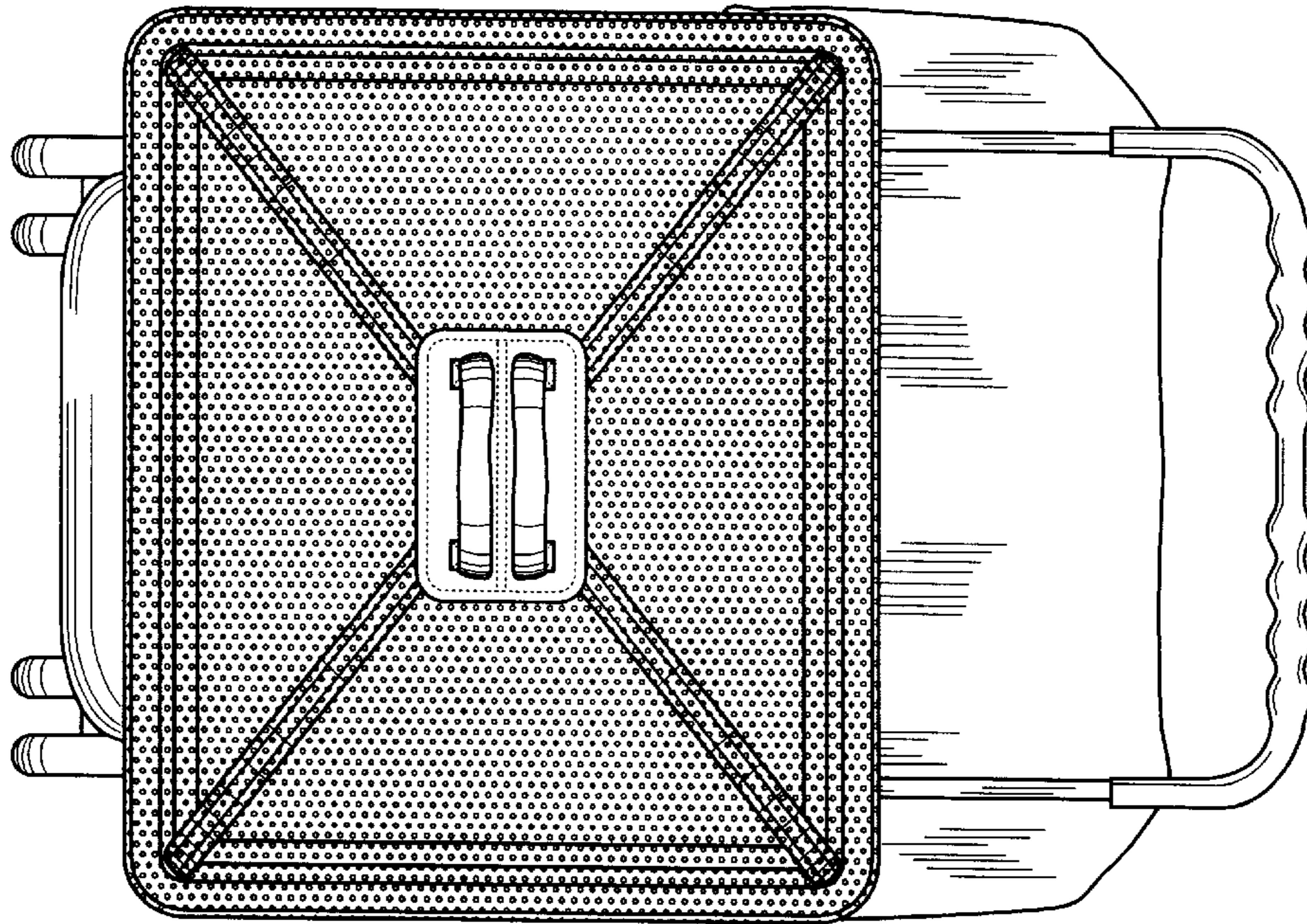


FIG. 6

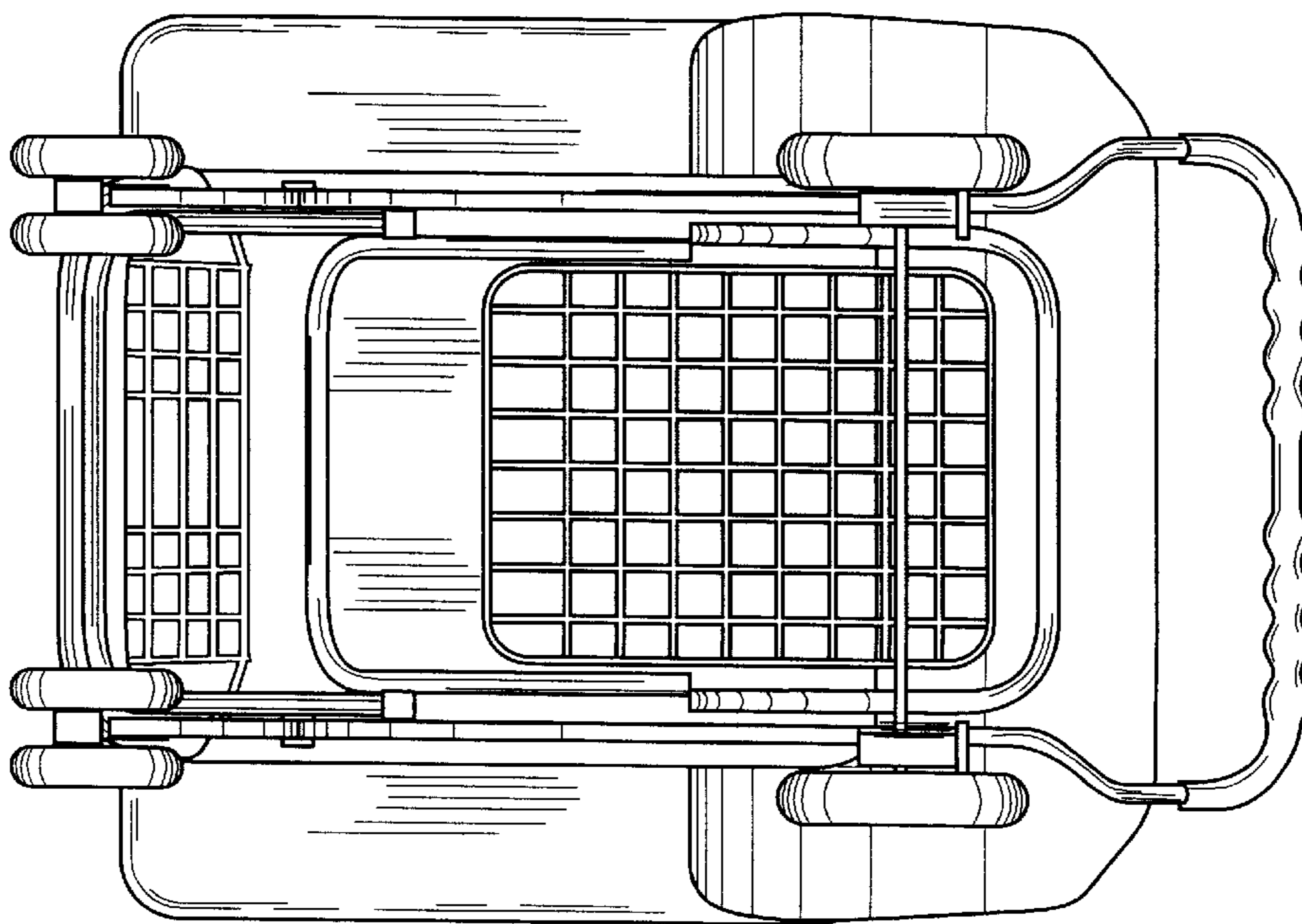


FIG. 7