



US00D445953S

(12) **United States Design Patent**  
**Smith**

(10) **Patent No.:** **US D445,953 S**

(45) **Date of Patent:** **\*\* Jul. 31, 2001**

(54) **HAIR CARE BOTTLE WITH APPLICATOR**

D. 412,597 \* 8/1999 Bauer ..... D28/20 X  
4,592,376 6/1986 Sigmund et al. .  
5,181,529 1/1993 Roberts .

(76) Inventor: **Lynda L Smith**, 212 Georgia St.,  
Concord, NC (US) 28025

\* cited by examiner

(\*\*) Term: **14 Years**

*Primary Examiner*—Paula A. Mortimer

(21) Appl. No.: **29/126,035**

(57) **CLAIM**

(22) Filed: **Jul. 7, 2000**

The ornamental design for a hair care bottle with applicator,  
as shown and described.

(51) **LOC (7) Cl.** ..... **28-02**

(52) **U.S. Cl.** ..... **D28/7**

(58) **Field of Search** ..... D28/7, 20, 77,  
D28/89; D9/337, 338, 341, 347, 367, 377,  
300; 132/200, 208, 216, 218, 317, 318;  
D4/114, 116; 206/209, 210, 229, 362.3,  
581

**DESCRIPTION**

FIG. 1 is a front elevational view of the hair care bottle with  
applicator of the present invention, rear view being a mirror  
image thereof;

FIG. 2 is a left side elevational view of the hair care bottle  
with applicator of FIG. 1, the right view being a mirror  
image thereof;

FIG. 3 is a top plan view of the hair care bottle with  
applicator of FIG. 1; and,

FIG. 4 is a bottom plan view of the hair care bottle with  
applicator of FIG. 1.

The broken lines showing of letters in FIGS. 1 and 2 are for  
illustrative purposes only and form no part of the claimed  
design.

(56) **References Cited**

**U.S. PATENT DOCUMENTS**

- D. 196,613 10/1963 Platte .
- D. 274,309 6/1984 Aldrich, III .
- D. 289,855 \* 5/1987 Carlson ..... D9/341
- D. 299,007 \* 12/1988 Laughner ..... D9/341
- D. 314,280 \* 2/1991 Buecheler et al. .... D9/338
- D. 325,347 4/1992 Doering .
- D. 345,301 \* 3/1994 Goehring ..... D9/300
- D. 382,209 8/1997 Fenton et al. .

**1 Claim, 2 Drawing Sheets**



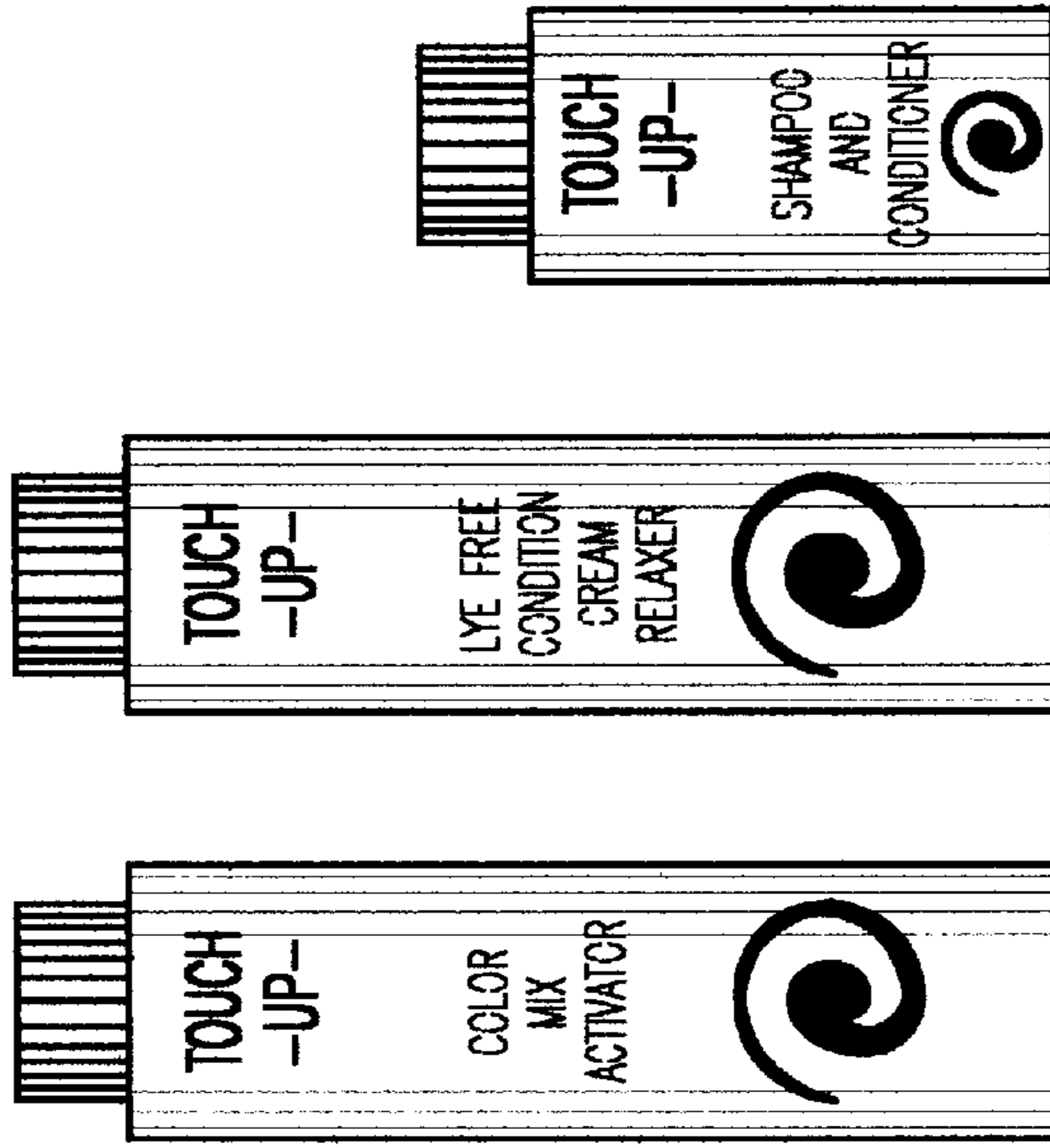


FIG. 1

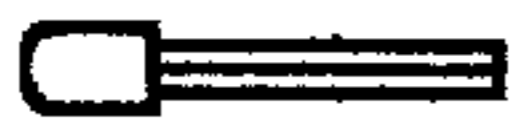


FIG. 2

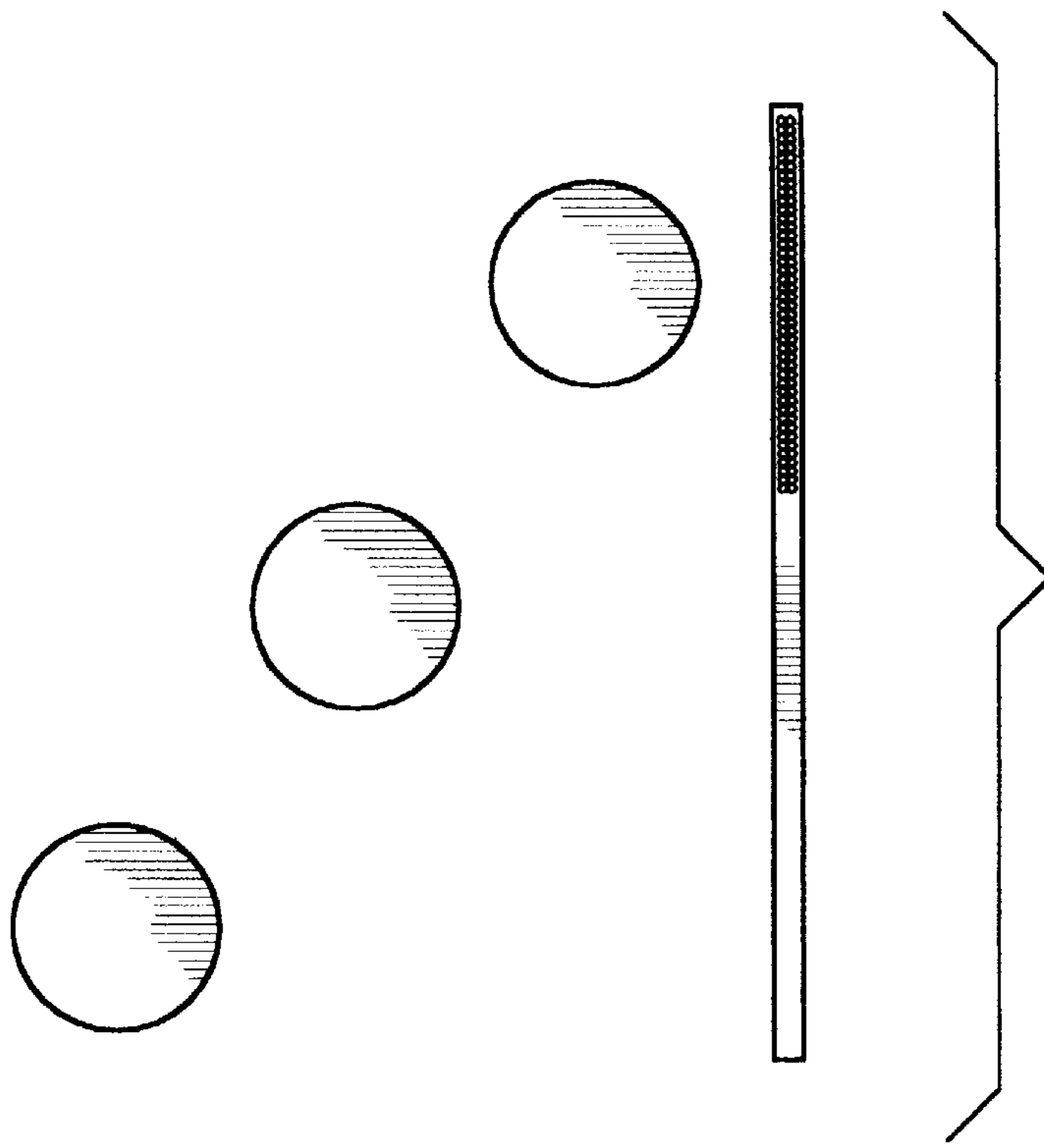


FIG. 3

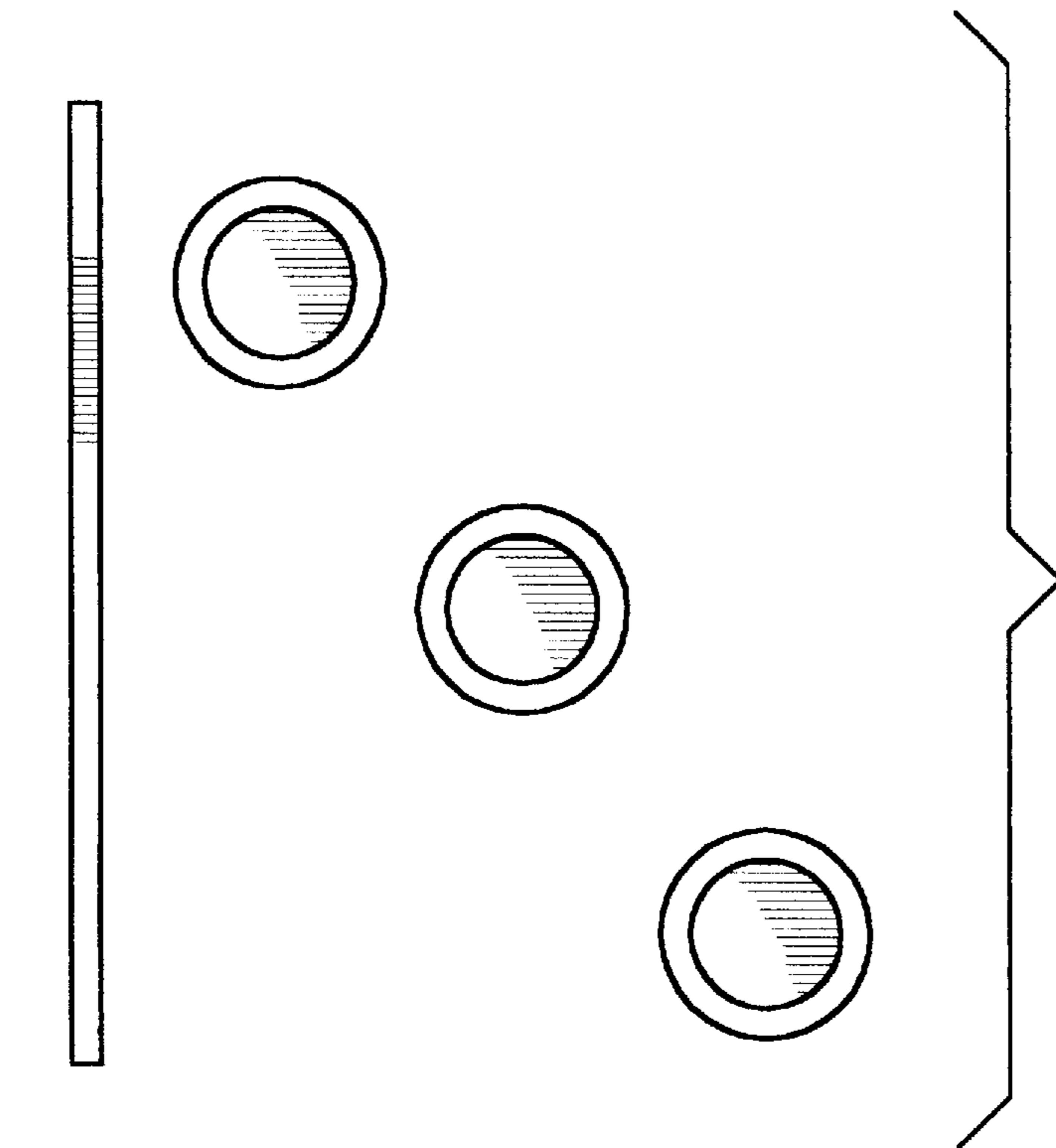


FIG. 4