



US00D445949S

(12) **United States Design Patent**  
**Dolan**

(10) **Patent No.:** **US D445,949 S**

(45) **Date of Patent:** **\*\* Jul. 31, 2001**

(54) **SUPPORT ARM FOR DESK LAMP**

*Primary Examiner*—Susan J. Lucas

(76) **Inventor:** **Patrick S. Dolan**, 1901 NW. Upshur St., Portland, OR (US) 97209

(57) **CLAIM**

(\*\*) **Term:** **14 Years**

The ornamental design for support arm for desk lamp, as shown and described.

(21) **Appl. No.:** **29/134,941**

(22) **Filed:** **Dec. 29, 2000**

**DESCRIPTION**

(51) **LOC (7) Cl.** ..... **26-99**

FIG. 1 is a perspective view thereof;

(52) **U.S. Cl.** ..... **D26/155**

FIG. 2 is a front elevational view thereof;

(58) **Field of Search** ..... D26/108, 109, D26/107, 60-66, 142, 155; 362/410-414, 267, 269, 281, 285, 418, 419, 420

FIG. 3 is a right side view, the left side view being a mirror image;

(56) **References Cited**

FIG. 4 is a back view thereof;

**U.S. PATENT DOCUMENTS**

FIG. 5 is a top plan view thereof; and,

D. 354,370 \* 1/1995 Stromberg ..... D26/109

FIG. 6 is a bottom plan view thereof.

**OTHER PUBLICATIONS**

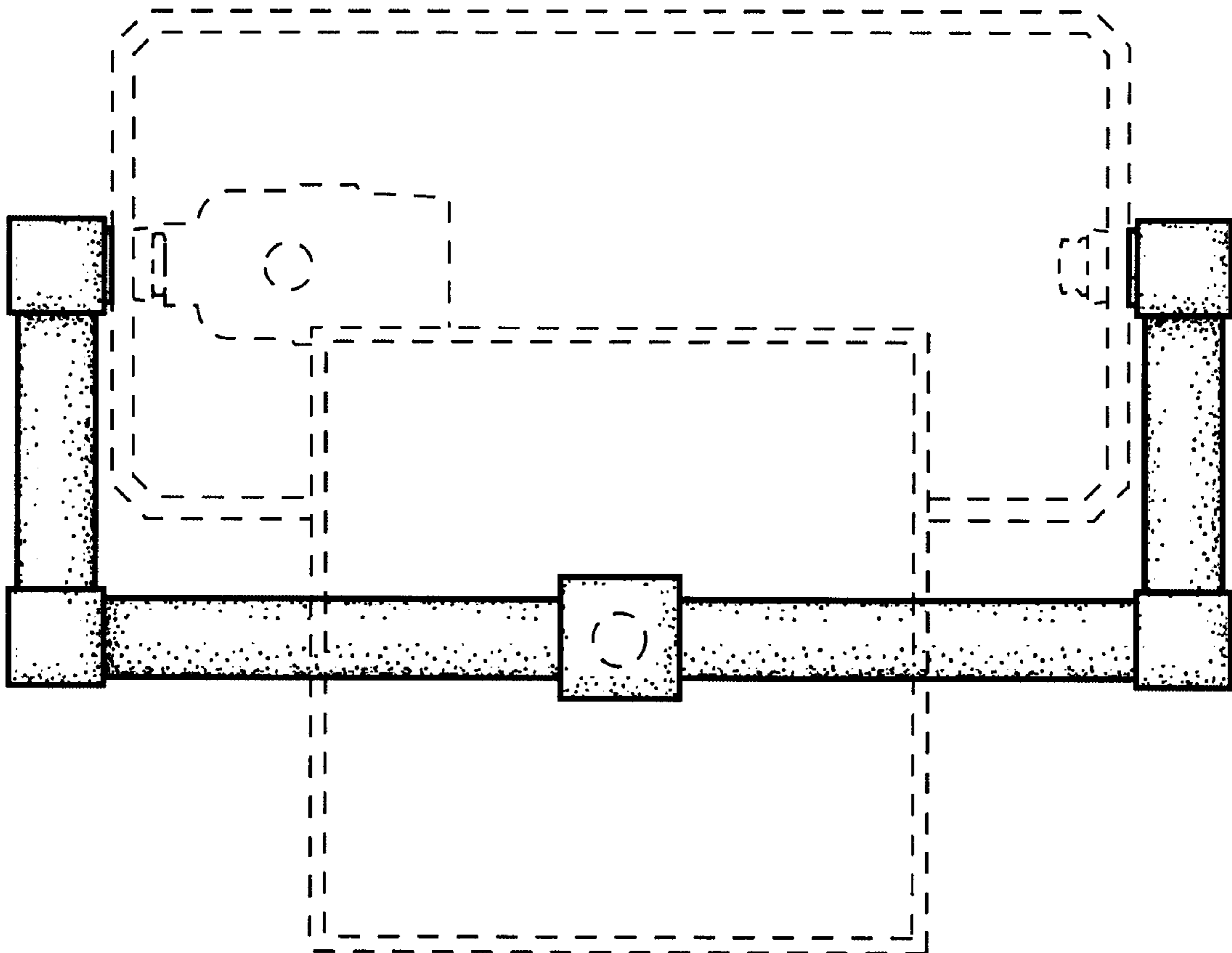
Murray Feiss, Bronx NY, Cat. vol. 2000, 2000 Model 8711 p. 209.

The broken lines shown in the drawing are environmental only and form no part of the claimed design.

Meyda Tiffany, Yorkville, NY, Cat. D, p. 60, Model D60-3 2000.

\* cited by examiner

**1 Claim, 6 Drawing Sheets**



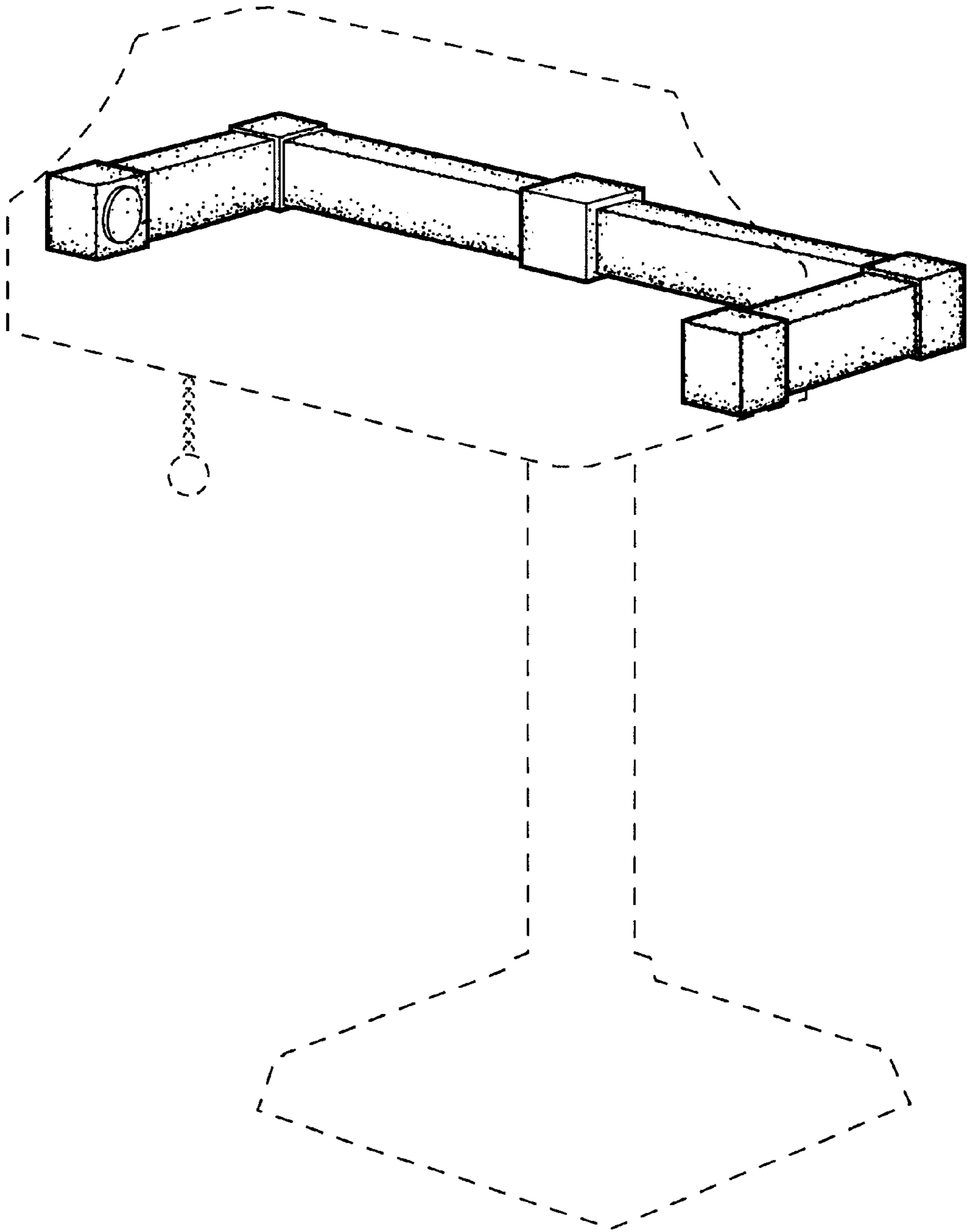


FIG. 1

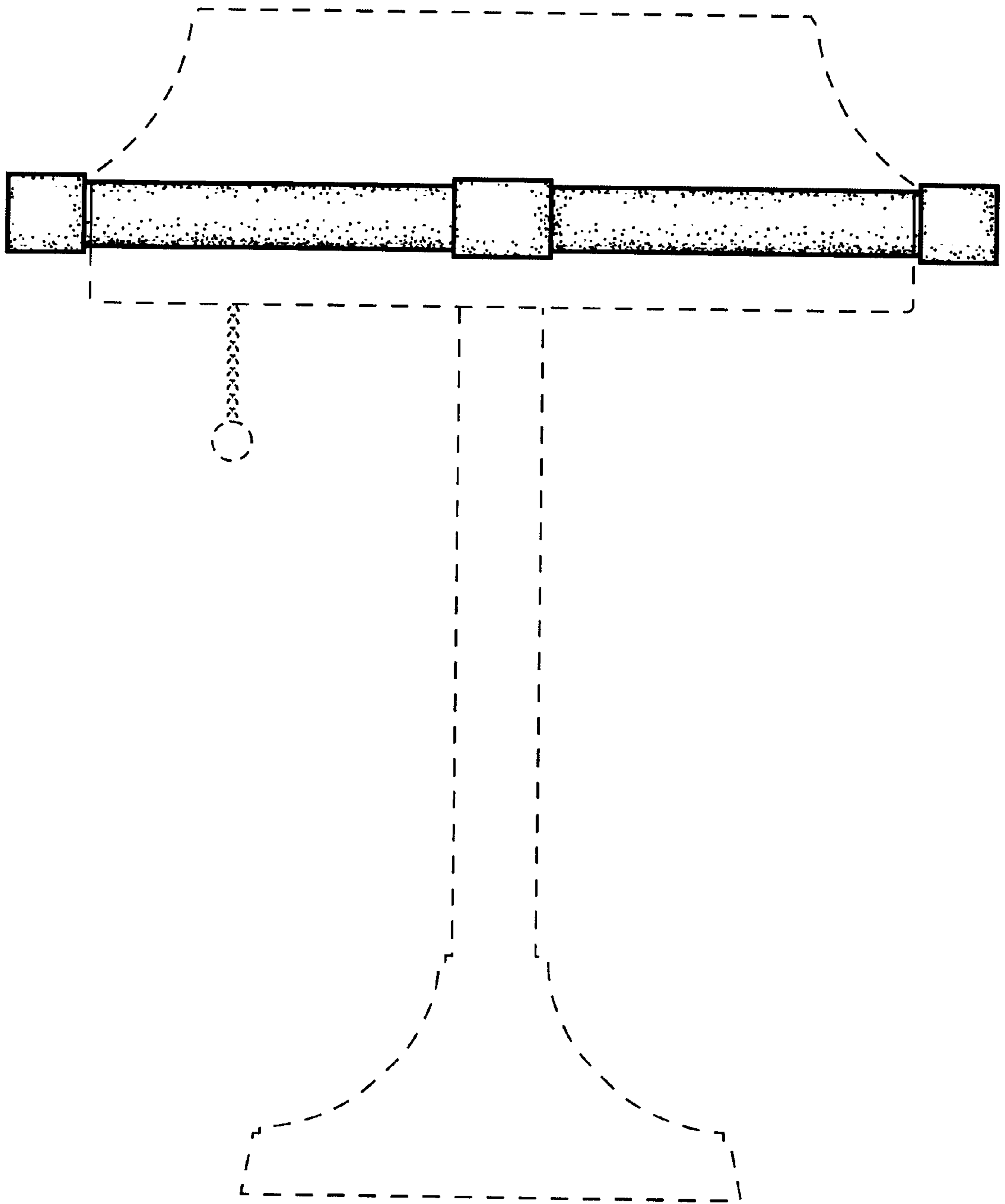


FIG. 2

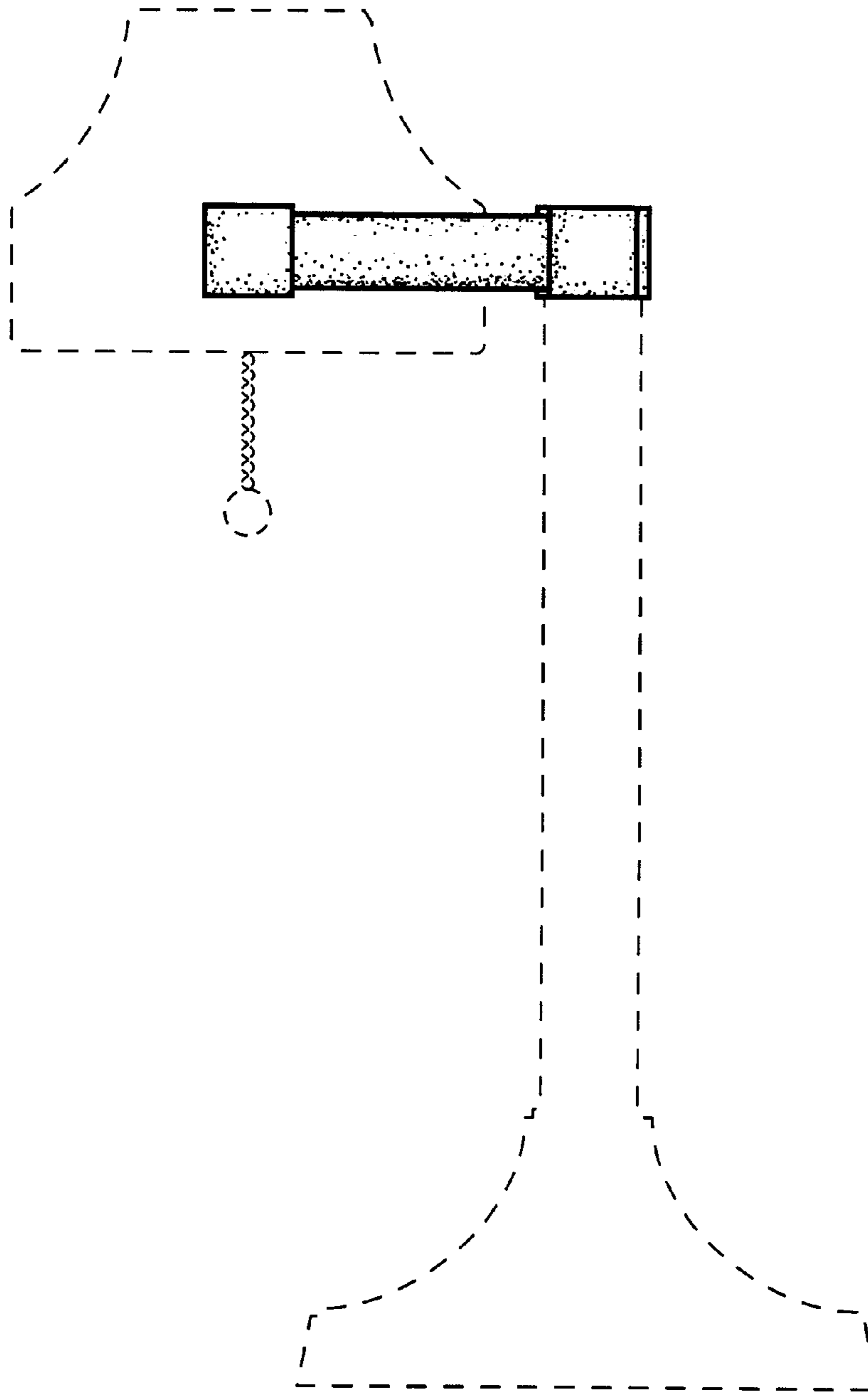


FIG. 3

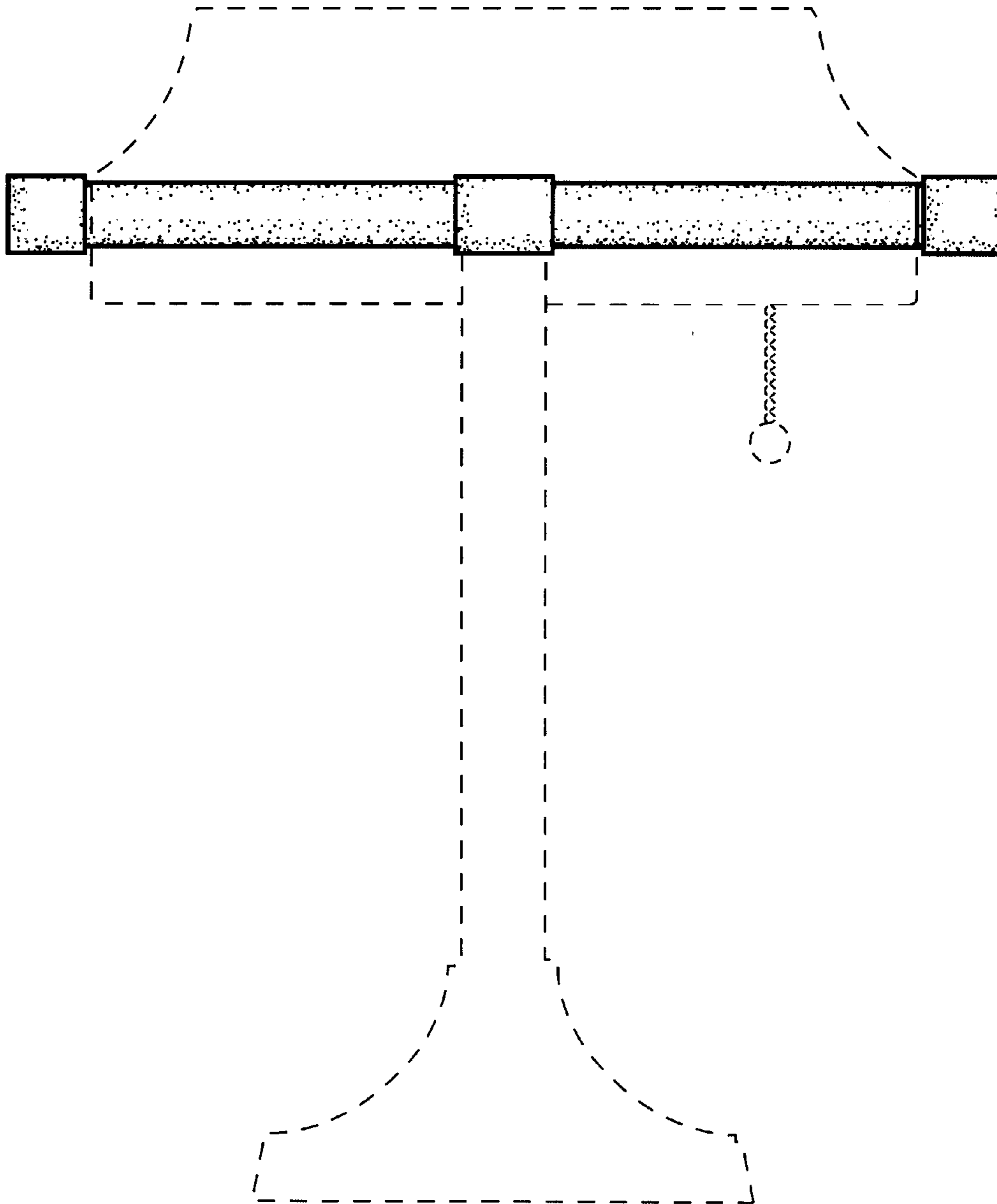


FIG. 4

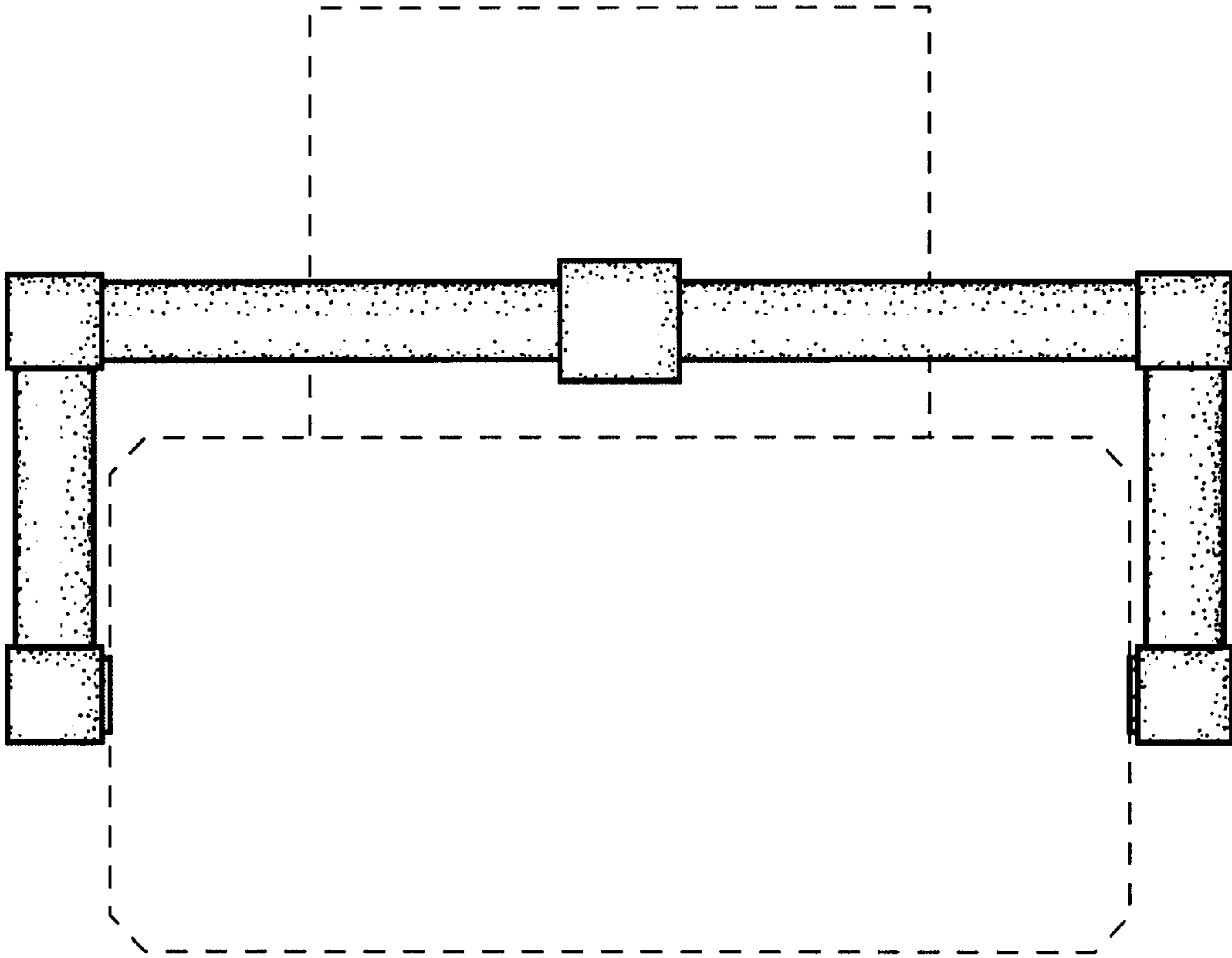


FIG. 5

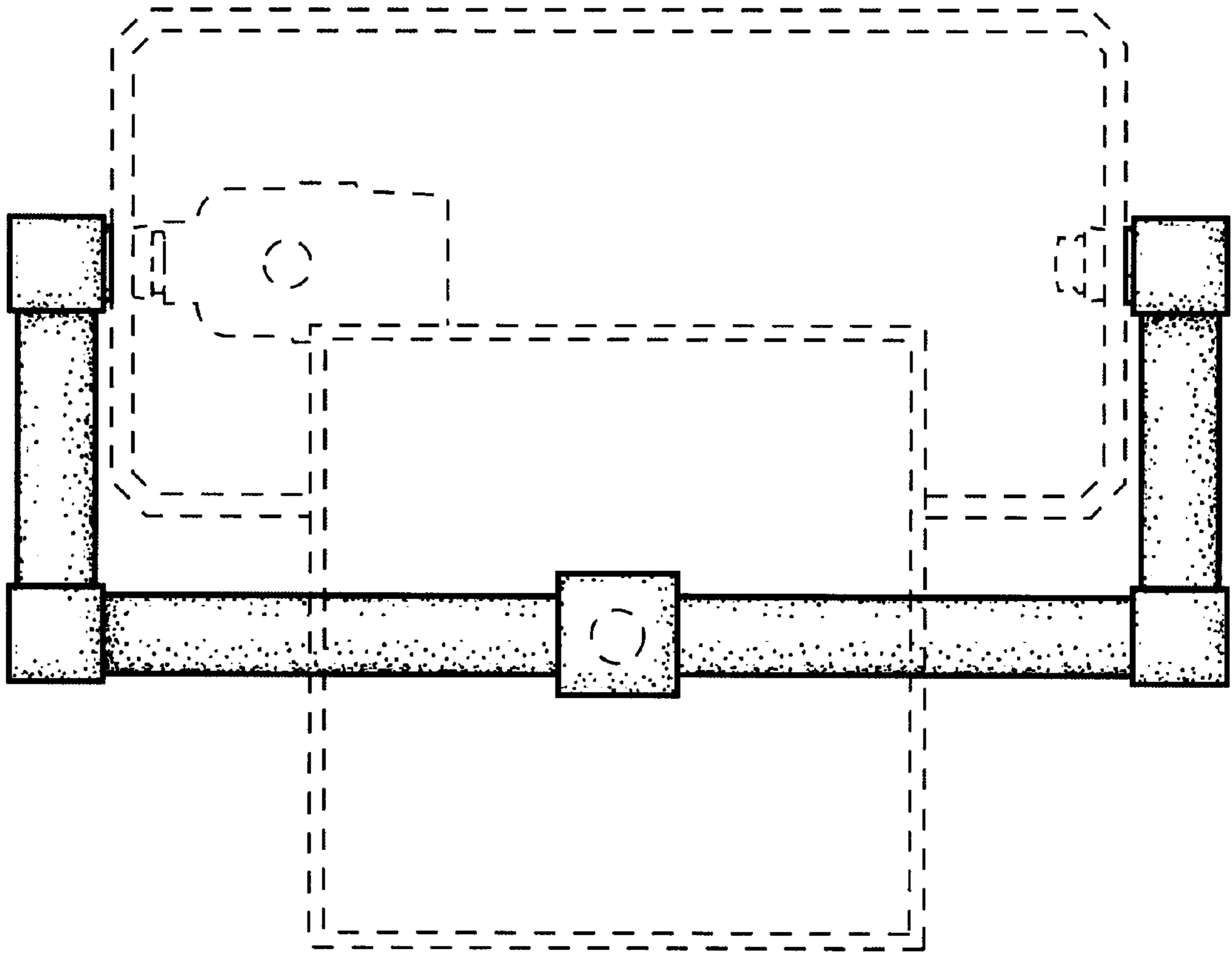


FIG. 6