



US00D445947S

(12) **United States Design Patent**
Johnson

(10) **Patent No.:** **US D445,947 S**

(45) **Date of Patent:** **** Jul. 31, 2001**

(54) **DECORATIVE RING FOR LIGHTING
FIXTURE**

D. 391,660 * 3/1998 Pan D26/85
D. 424,733 * 5/2000 Chen D26/85

(75) **Inventor:** **Aaron Mitchell Johnson**, Fort Worth,
TX (US)

* cited by examiner

(73) **Assignee:** **Quorum International, L.P.**, Fort
Worth, TX (US)

Primary Examiner—Susan J. Lucas

(74) *Attorney, Agent, or Firm*—Kenneth C. Hill; Melvin A.
Hunn; Hill & Hunn, LLP

(**) **Term:** **14 Years**

(57) **CLAIM**

(21) **Appl. No.:** **29/135,089**

The ornamental design for a decorative ring for lighting
fixture, as shown and described.

(22) **Filed:** **Jan. 5, 2001**

DESCRIPTION

(51) **LOC (7) Cl.** **26-99**

(52) **U.S. Cl.** **D26/142**

(58) **Field of Search** D26/72, 80-92,
D26/142; 362/147, 404-48, 432

FIG. 1 is a perspective view of the decorative ring for
lighting fixture.

FIG. 2 is a side view of the decorative ring.

FIG. 3 is a bottom view of the decorative ring; and,

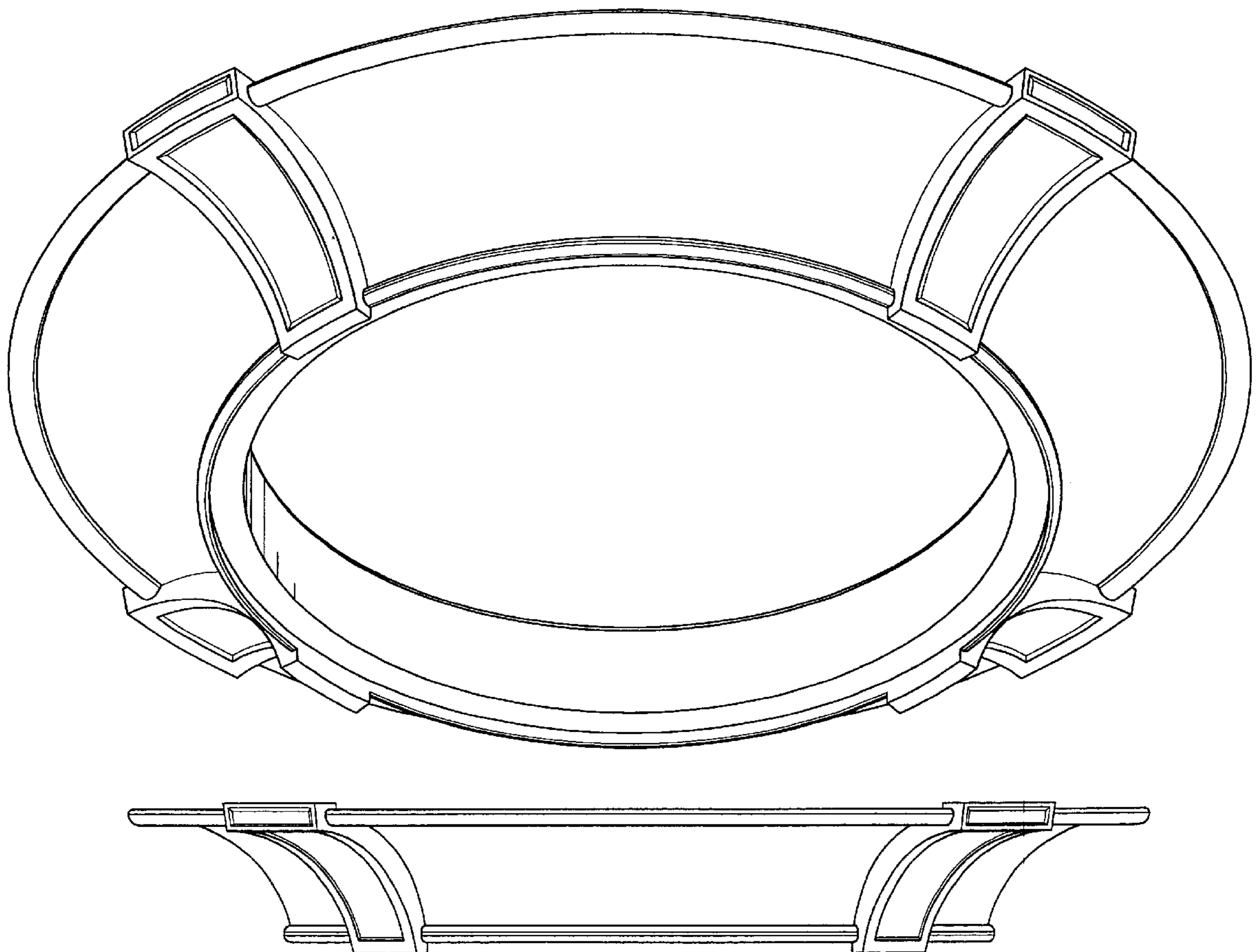
FIG. 4 is a side view of the decorative ring taken at an angle
offset by 45° from the view of FIG. 2.

(56) **References Cited**

U.S. PATENT DOCUMENTS

D. 96,561 * 8/1935 Salyards, Jr. D8/352

1 Claim, 2 Drawing Sheets



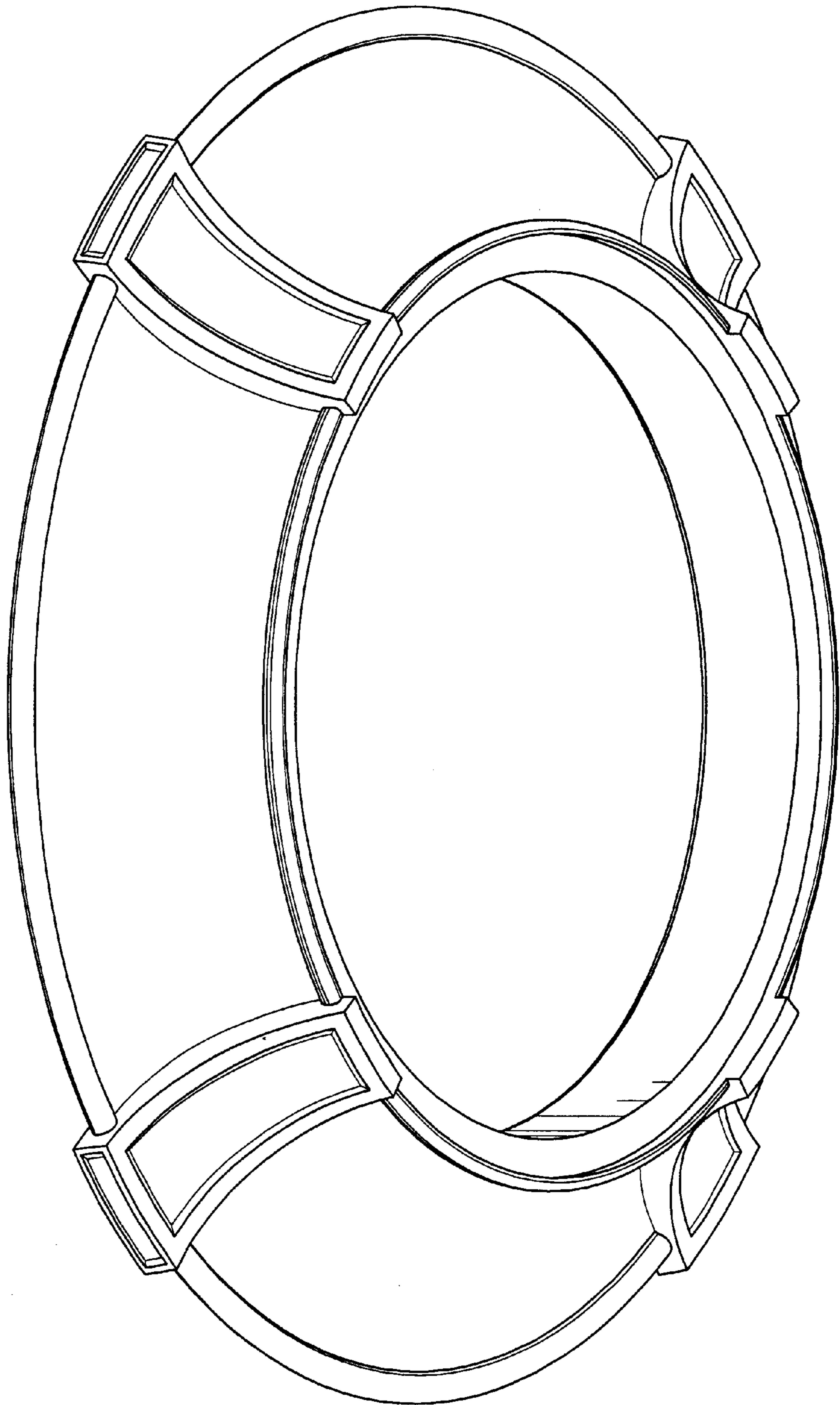


FIG. 1

FIG. 2

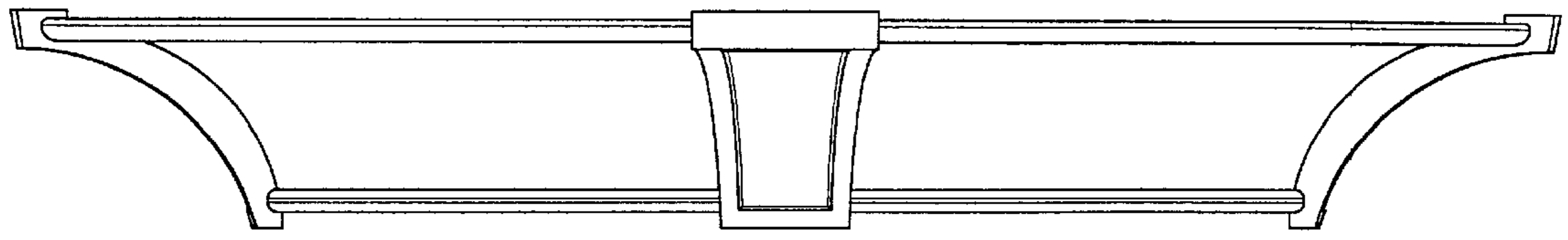


FIG. 3

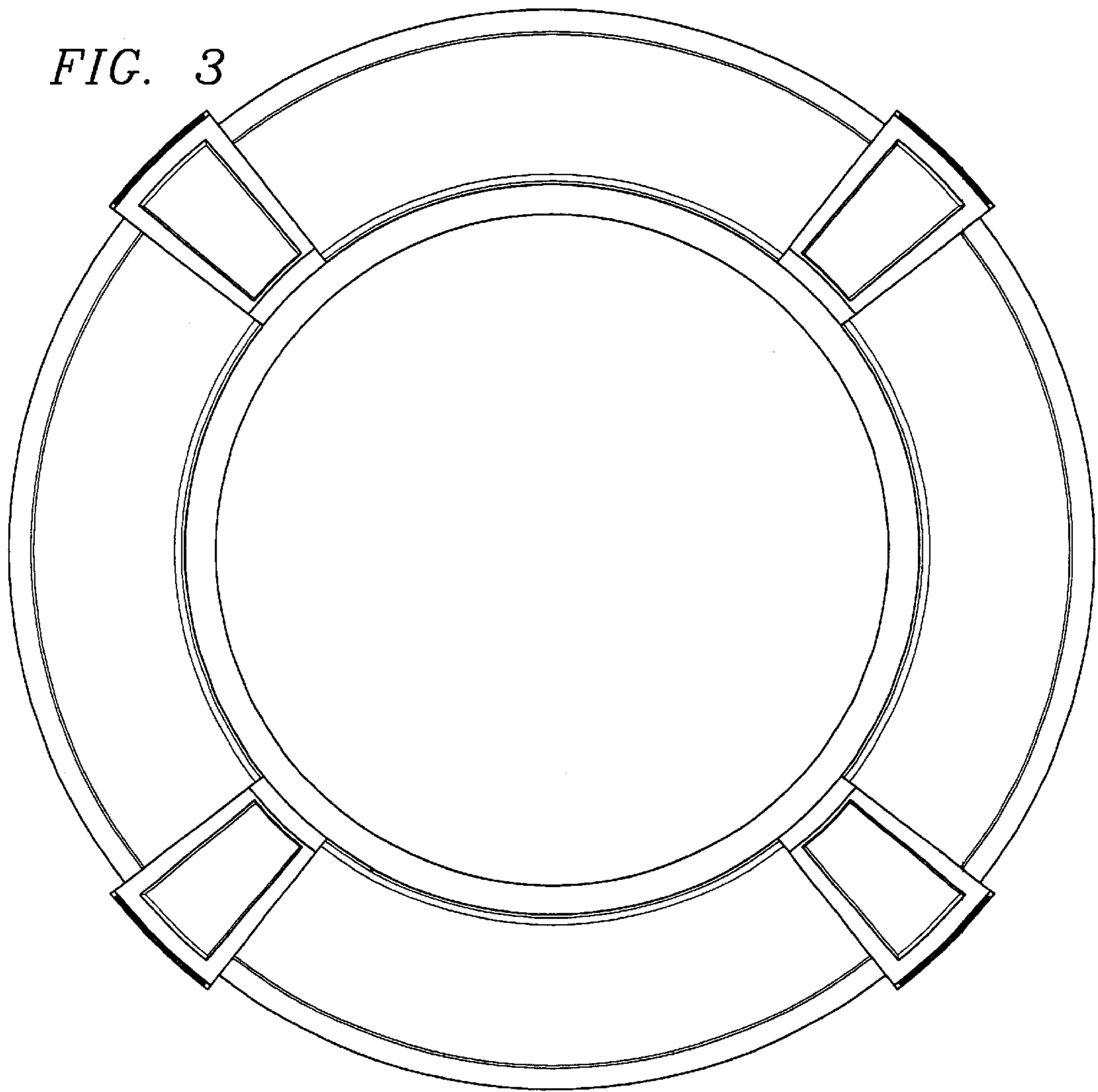


FIG. 4

