



US00D445945S

(12) **United States Design Patent**
Hansen

(10) **Patent No.:** **US D445,945 S**

(45) **Date of Patent:** **** Jul. 31, 2001**

(54) **OIL LAMP**

5,840,257 * 11/1998 Bureau et al. 431/320

(75) Inventor: **Lars Hansen**, Holstebro (DK)

* cited by examiner

(73) Assignee: **Daniel Holdings APS**, Viborg (DK)

Primary Examiner—Robin V. Taylor

(**) Term: **14 Years**

(74) *Attorney, Agent, or Firm*—Nixon Peabody LLP; David S. Safran

(21) Appl. No.: **29/124,233**

(57) **CLAIM**

(22) Filed: **Jun. 2, 2000**

The ornamental design for an oil lamp, as shown and described.

(51) **LOC (7) Cl.** **26-99**

(52) **U.S. Cl.** **D26/114**

(58) **Field of Search** D26/114, 116,
D26/9, 10, 11, 8; 431/345, 320, 298

DESCRIPTION

(56) **References Cited**

U.S. PATENT DOCUMENTS

- 235,926 * 12/1880 Arndt 431/320
- D. 428,666 * 7/2000 Chandaria D26/114
- D. 434,861 * 12/2000 Cavallaro et al. D26/8
- 1,142,234 * 6/1915 Bryson 431/320
- 4,477,247 * 10/1984 Kumasada 431/320

FIG. 1 is a side perspective view of an oil lamp showing my new design;

FIG. 2 is a bottom perspective view thereof;

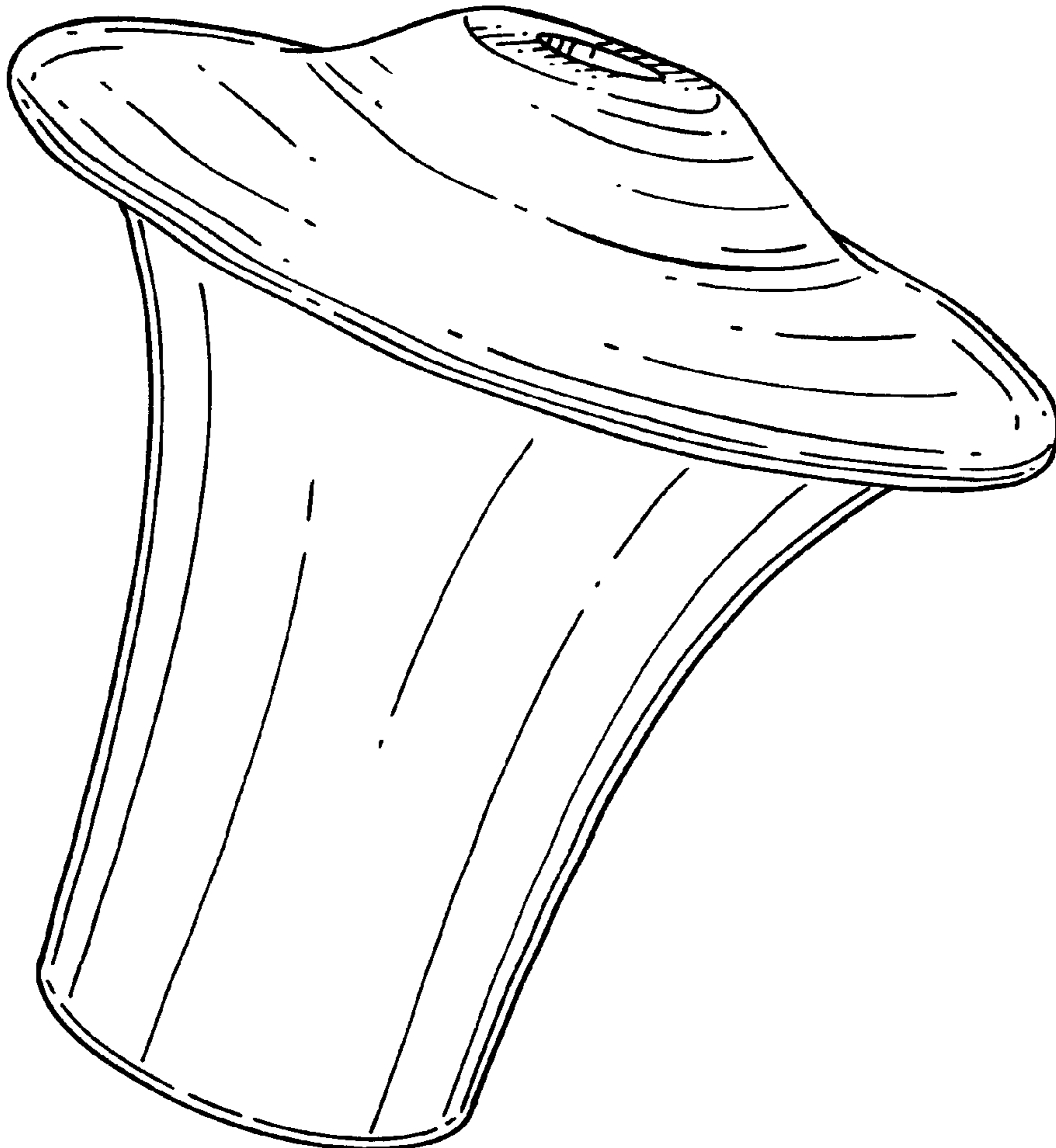
FIG. 3 is a bottom side perspective view thereof;

FIG. 4 is a side elevational view with all sides being identical;

FIG. 5 is another bottom, side perspective view opposite that of FIG. 3; and,

FIG. 6 is a top perspective view.

1 Claim, 3 Drawing Sheets



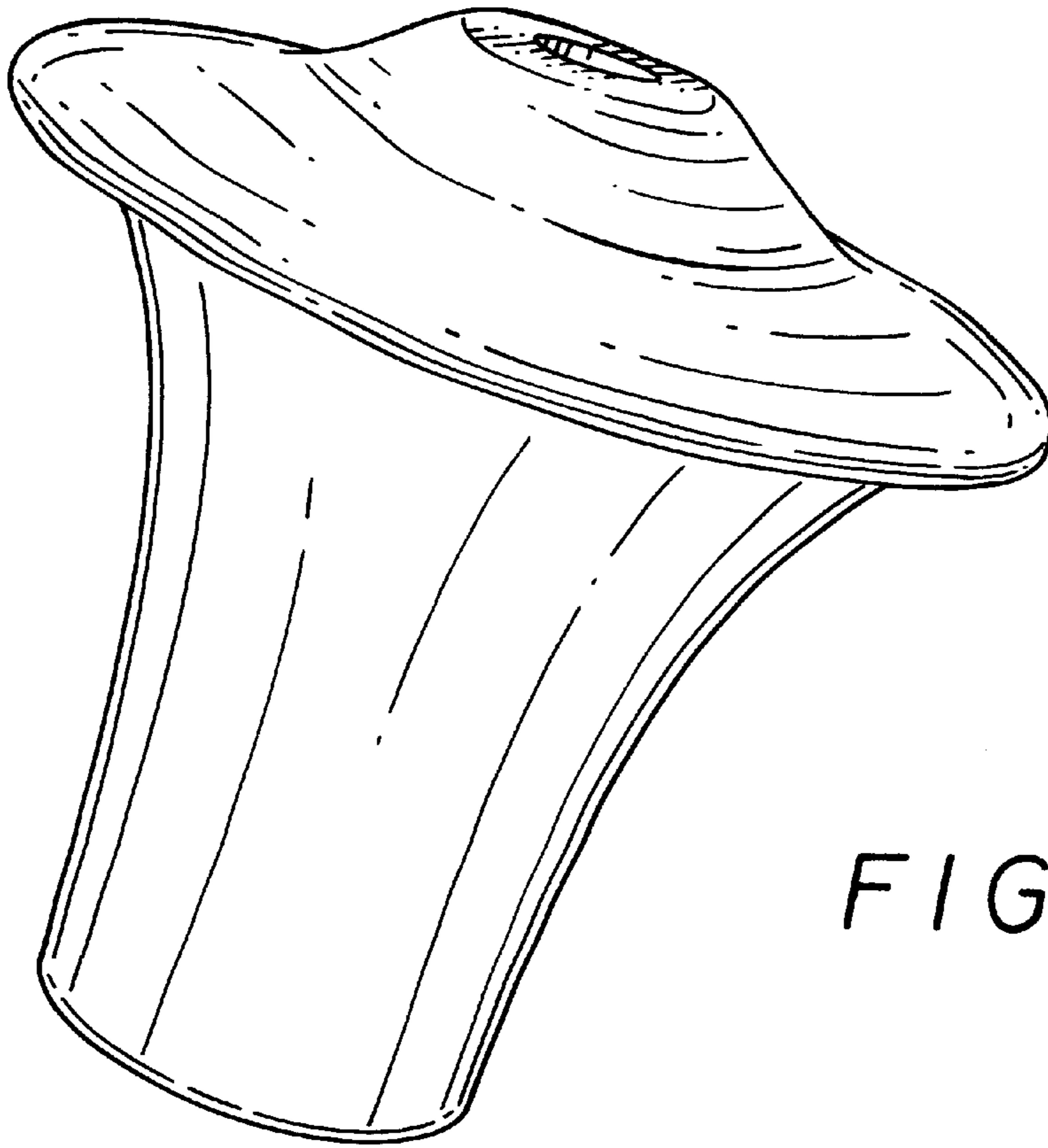


FIG. 1

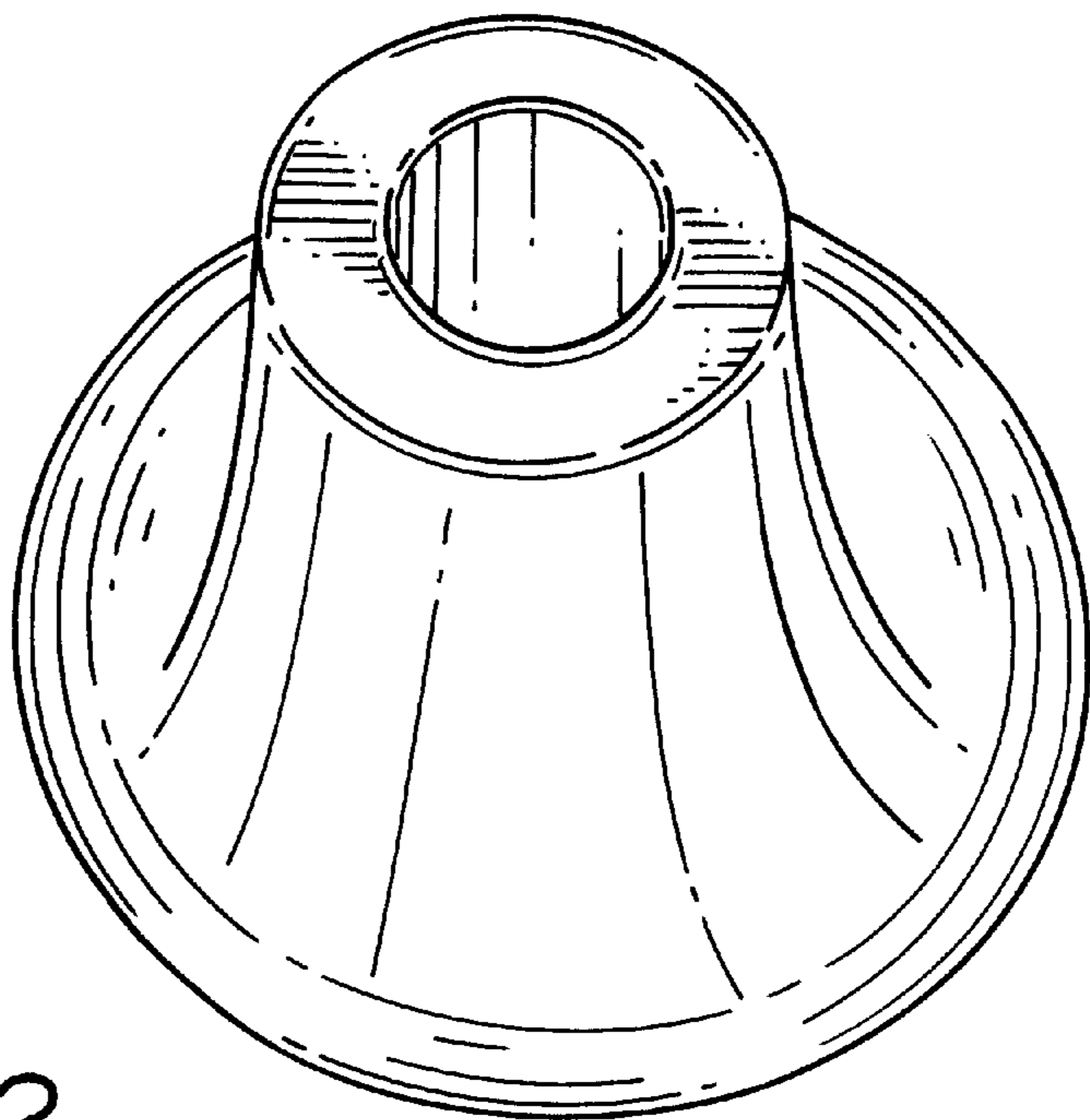


FIG. 2

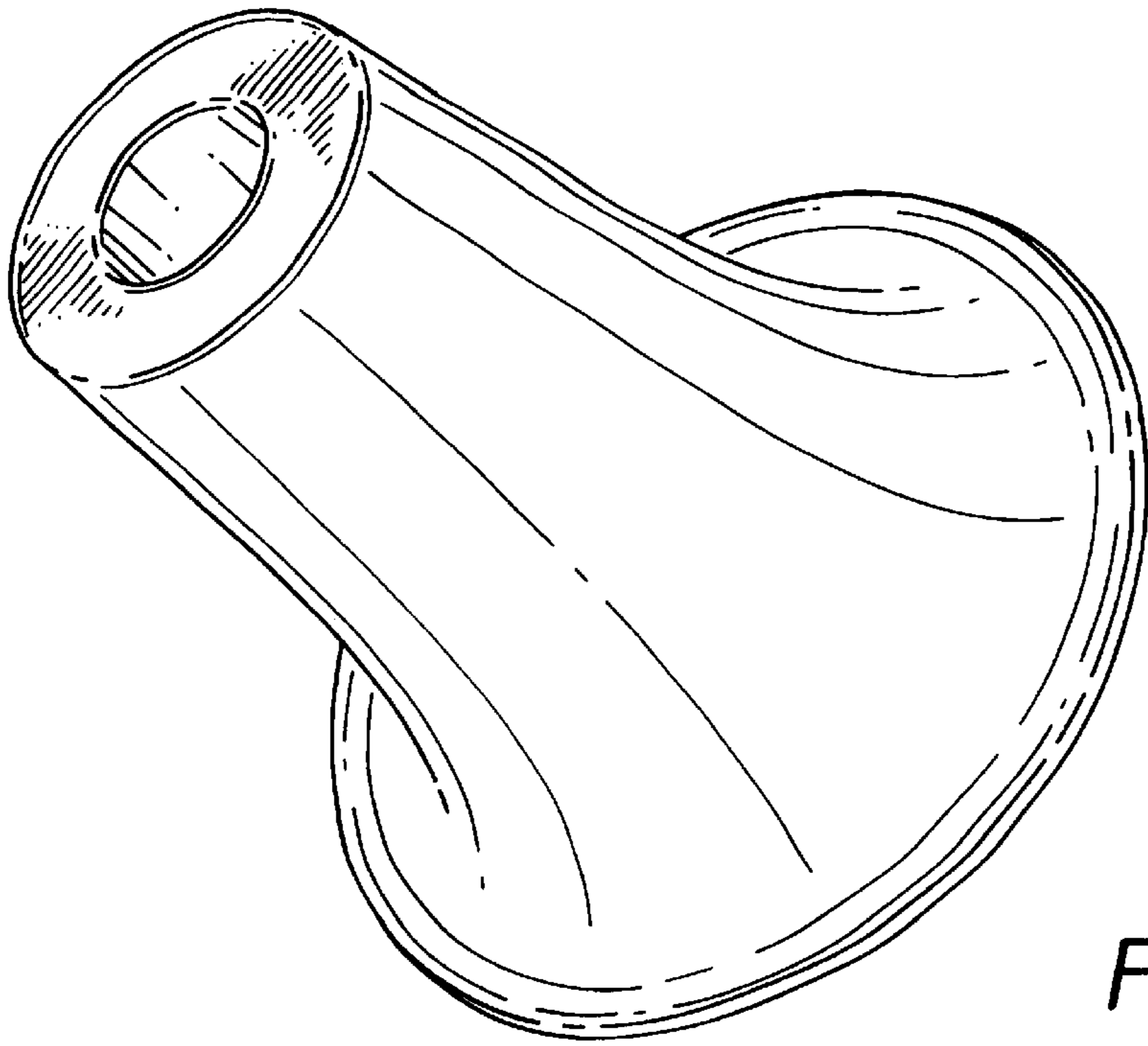


FIG. 3

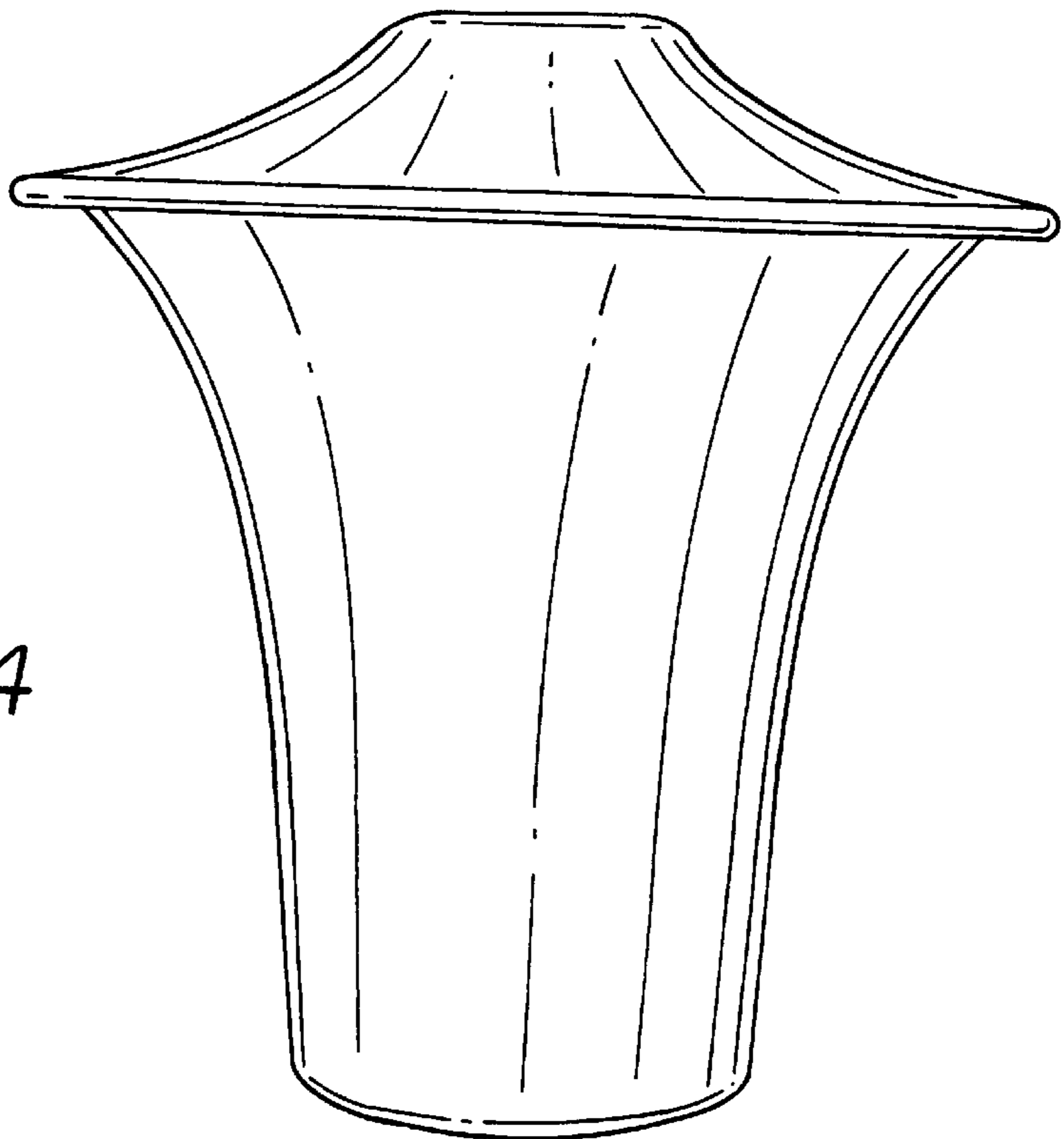


FIG. 4

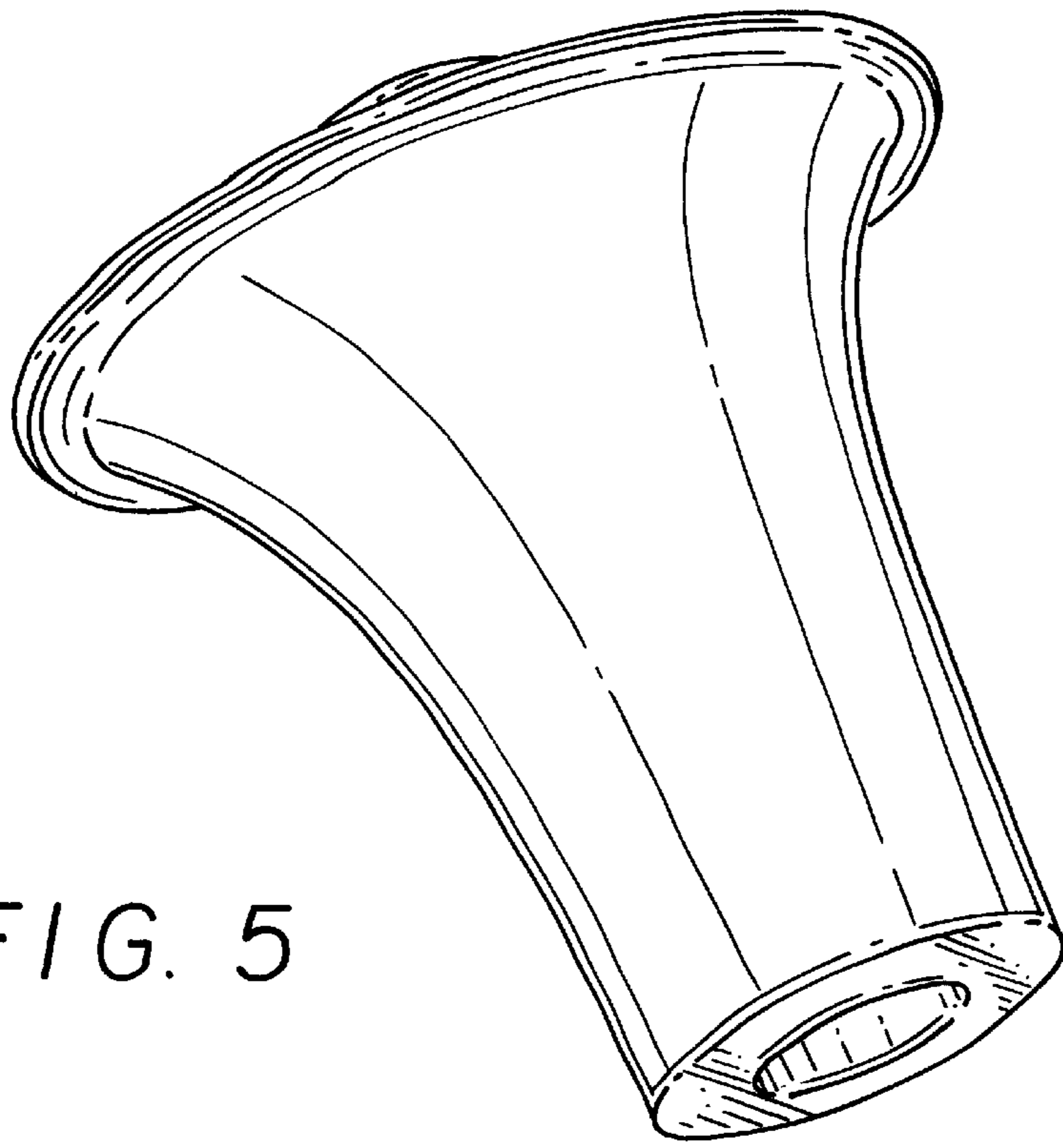


FIG. 5

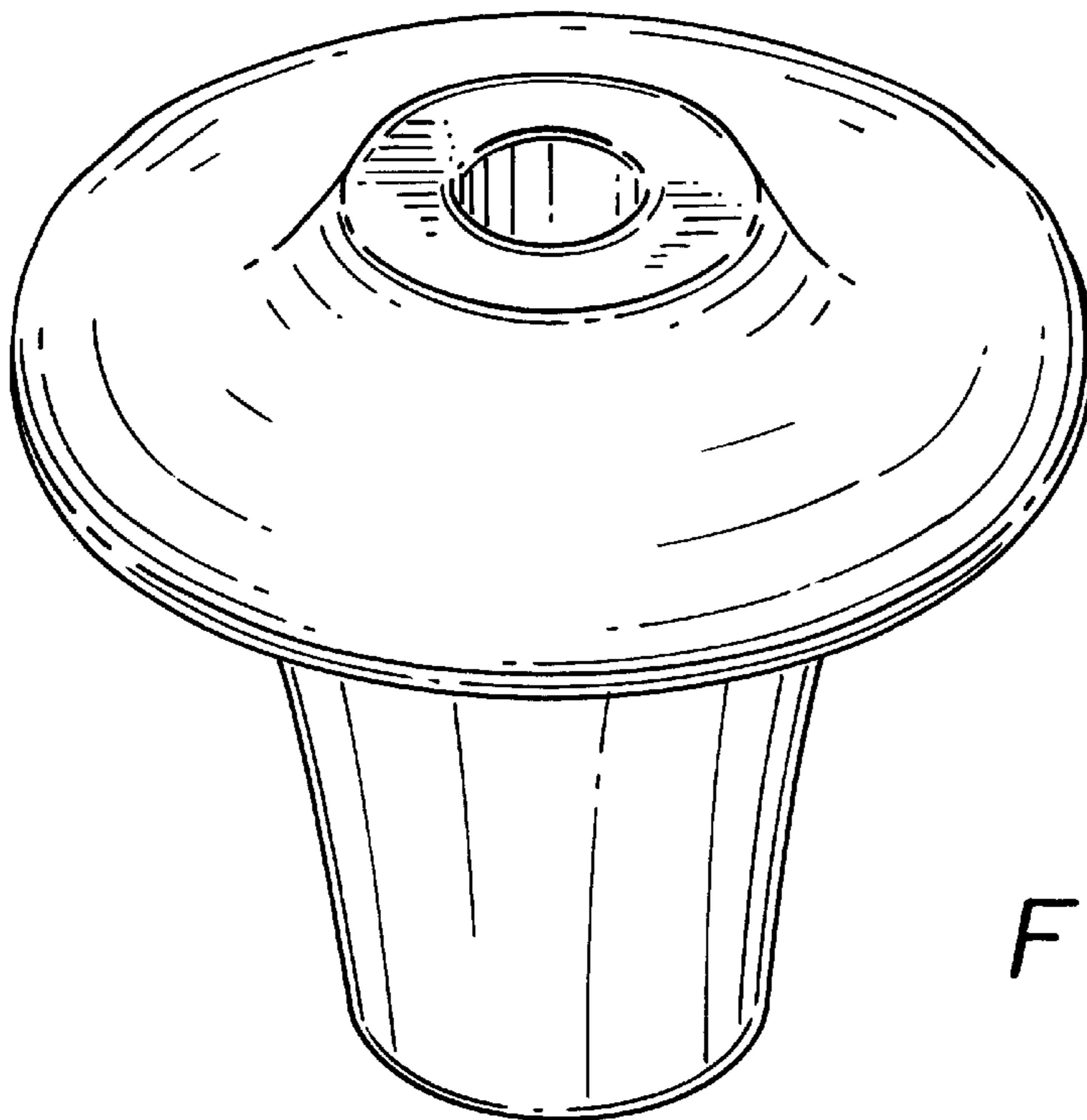


FIG. 6