



US00D445944S

(12) **United States Design Patent**
Chen

(10) **Patent No.:** **US D445,944 S**

(45) **Date of Patent:** **** Jul. 31, 2001**

(54) **WALL FIXTURE**

(74) *Attorney, Agent, or Firm*—Rosenberg, Klein & Lee

(76) **Inventor:** **Tusng-Wen Chen**, No. 6, Tinghu 2nd St., Kweishan Hsiang, Taoyuan Hsien (TW)

(57) **CLAIM**

(**) **Term:** **14 Years**

The ornamental design for a wall fixture, as shown and described.

(21) **Appl. No.:** **29/134,742**

DESCRIPTION

(22) **Filed:** **Dec. 29, 2000**

(51) **LOC (7) Cl.** **26-05**

FIG. 1 is a perspective view of a wall fixture showing my new design;

(52) **U.S. Cl.** **D26/87**

FIG. 2 is a top plan view thereof;

(58) **Field of Search** D26/72, 80-92;
362/147, 404-408, 432

FIG. 3 is a bottom plan view thereof;

(56) **References Cited**

FIG. 4 is a front elevational view thereof;

U.S. PATENT DOCUMENTS

FIG. 5 is a rear elevational view thereof;

D. 272,858 * 2/1984 Palka D26/80

FIG. 6 is a left side elevational view thereof; and,

OTHER PUBLICATIONS

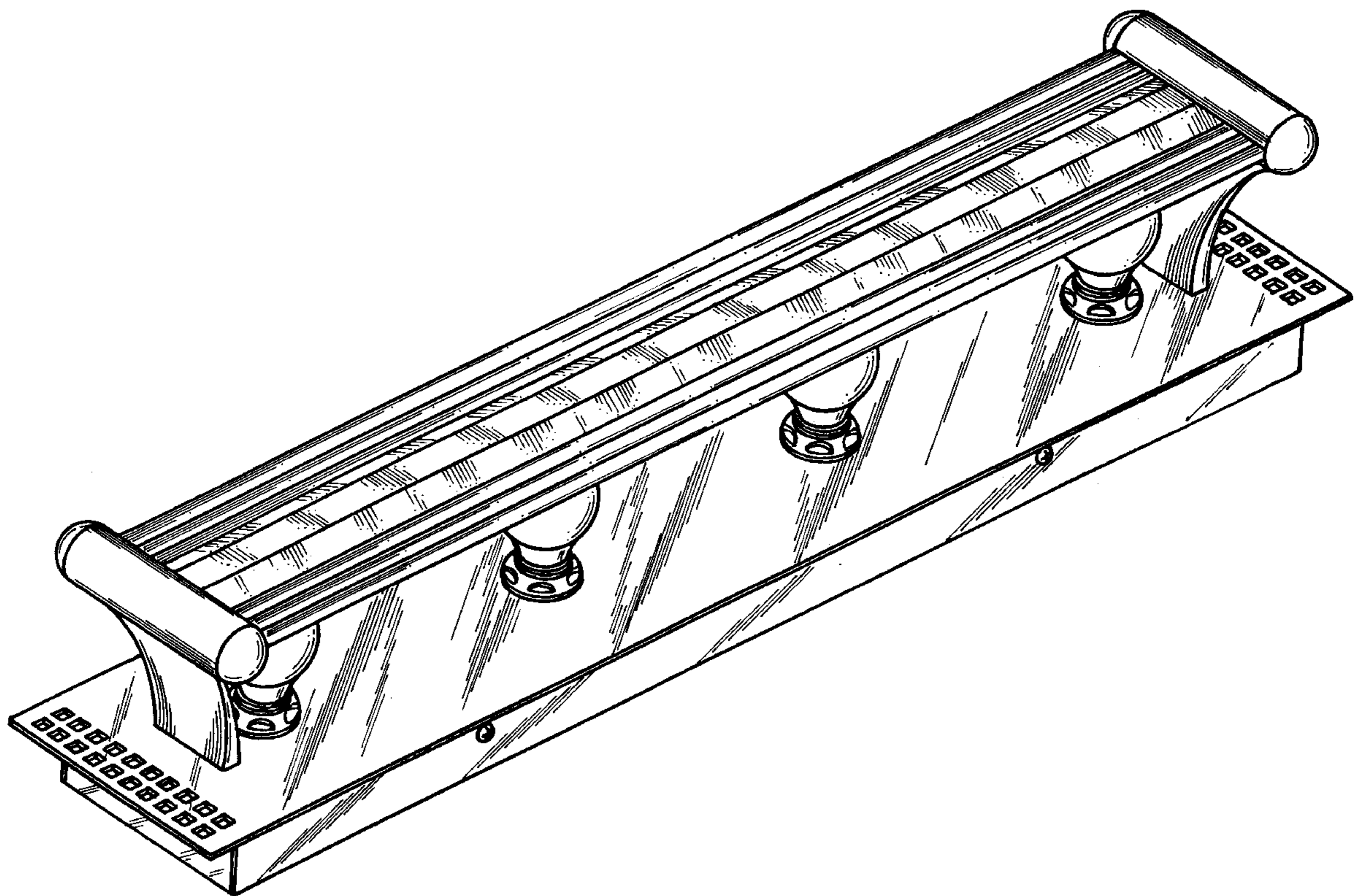
FIG. 7 is a right side elevational view thereof.

Kichler Lighting catalog, 1989, p. 90, wall lamp #K464.*

* cited by examiner

Primary Examiner—Susan J. Lucas

1 Claim, 4 Drawing Sheets



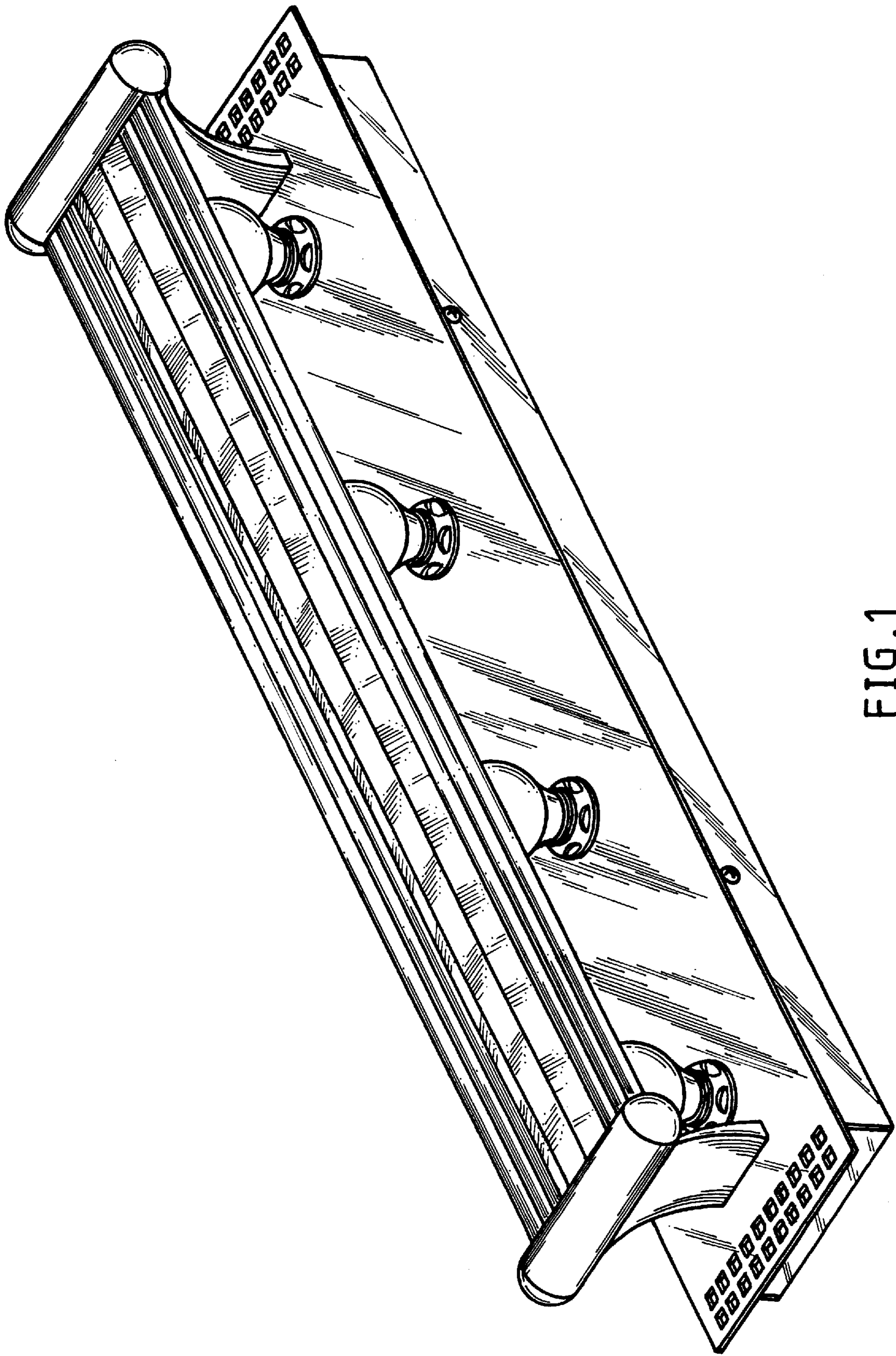


FIG. 1

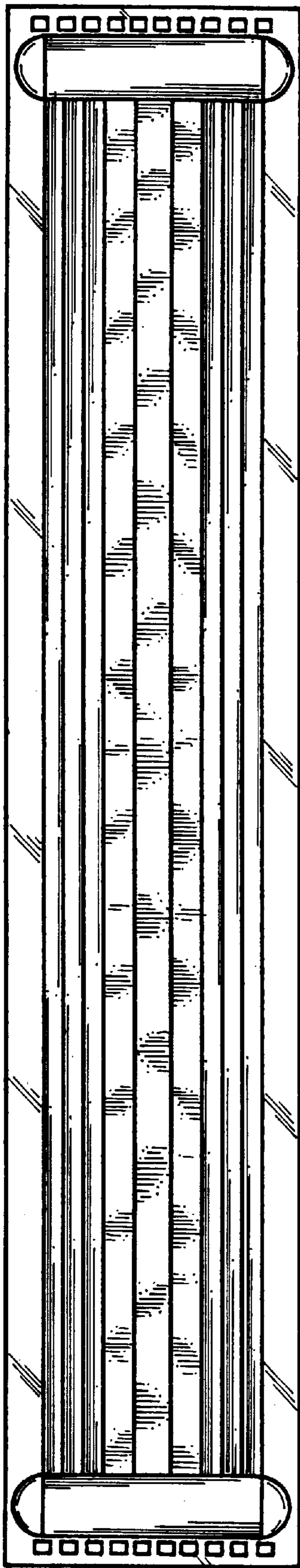


FIG. 2

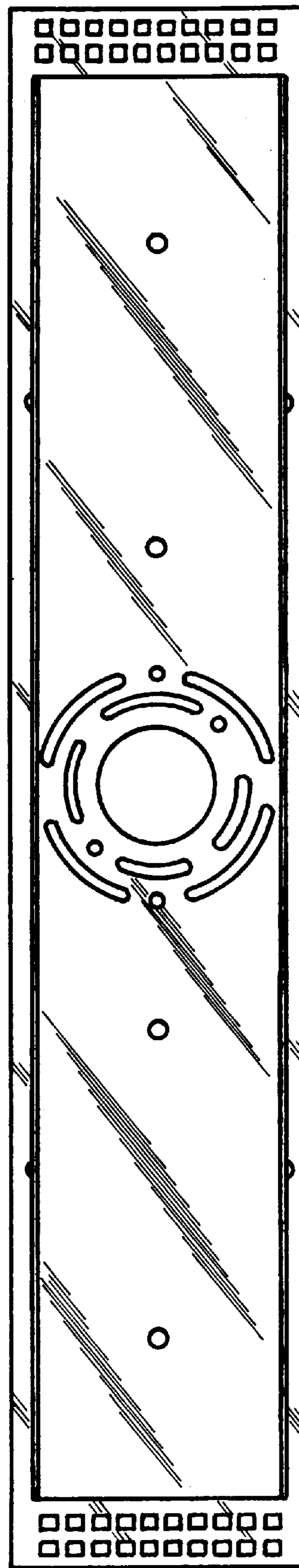


FIG. 3

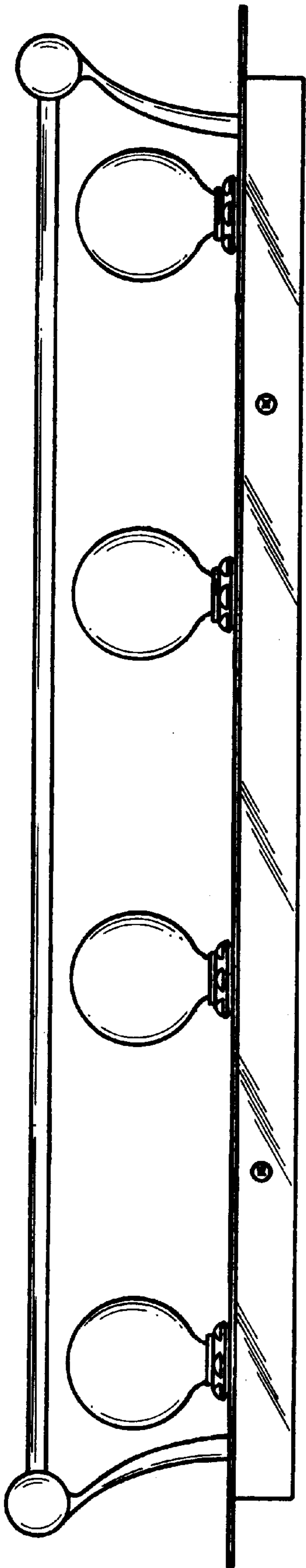


FIG. 4

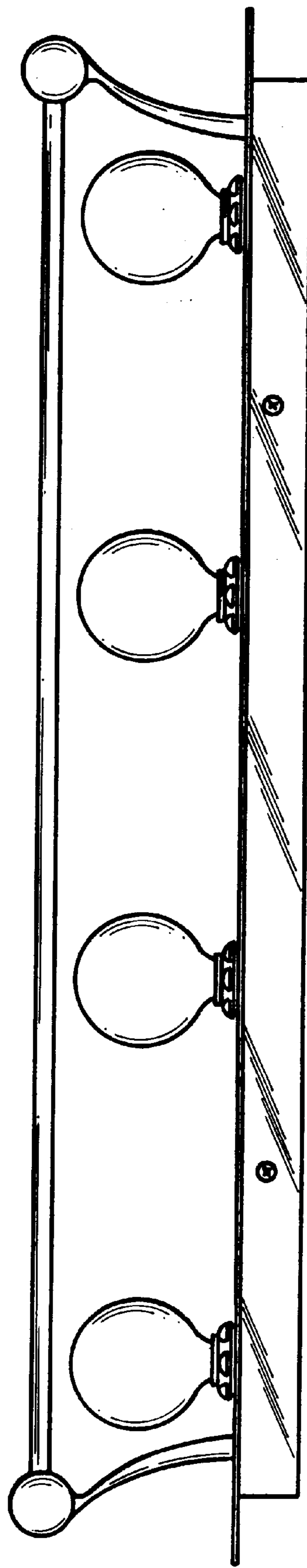


FIG. 5

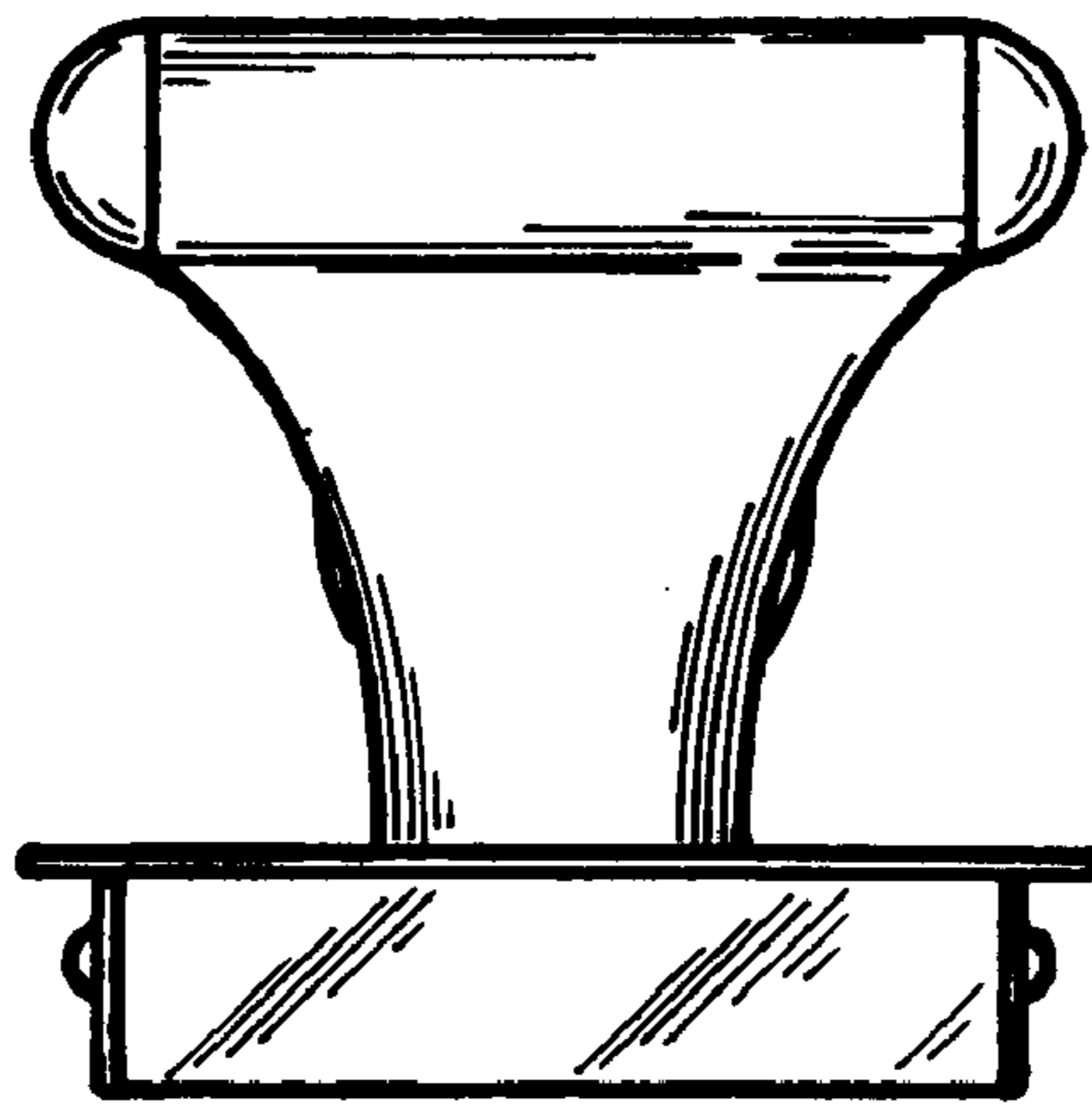


FIG. 6

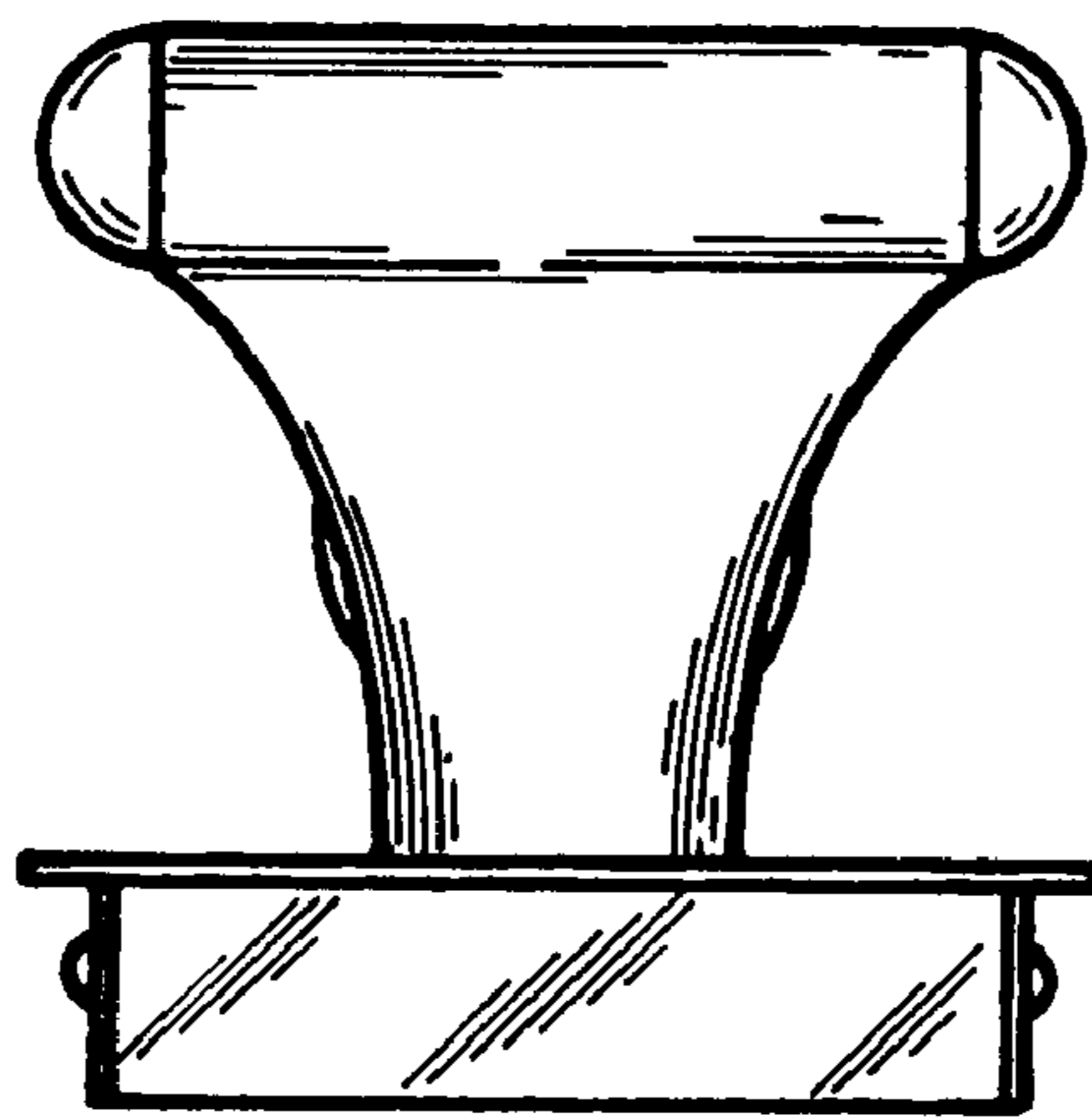


FIG. 7