



US00D445937S

(12) **United States Design Patent**
Sanoner

(10) **Patent No.:** **US D445,937 S**

(45) **Date of Patent:** **** Jul. 31, 2001**

(54) **OUTDOOR LIGHT**

(75) Inventor: **Hughes Marie Sanoner**, Discovery Bay (HK)

(73) Assignee: **Solar Wide Industrial Ltd.**, New Territories (HK)

(**) Term: **14 Years**

(21) Appl. No.: **29/123,356**

(22) Filed: **May 17, 2000**

(51) **LOC (7) Cl.** **26-05**

(52) **U.S. Cl.** **D26/68**

(58) **Field of Search** D26/67-71; 362/153, 362/153.1, 183, 431, 410-414

(56) **References Cited**

U.S. PATENT DOCUMENTS

D. 318,341 * 7/1991 Hazerjian et al. D26/67

D. 326,728 * 6/1992 Layne D26/67

D. 360,964 * 8/1995 Cullen et al. D26/68

D. 382,308 * 8/1997 Cornell et al. D26/68

* cited by examiner

Primary Examiner—Alan P. Douglas

Assistant Examiner—Linda Brooks

(74) *Attorney, Agent, or Firm*—Leydig, Voit & Mayer, Ltd.

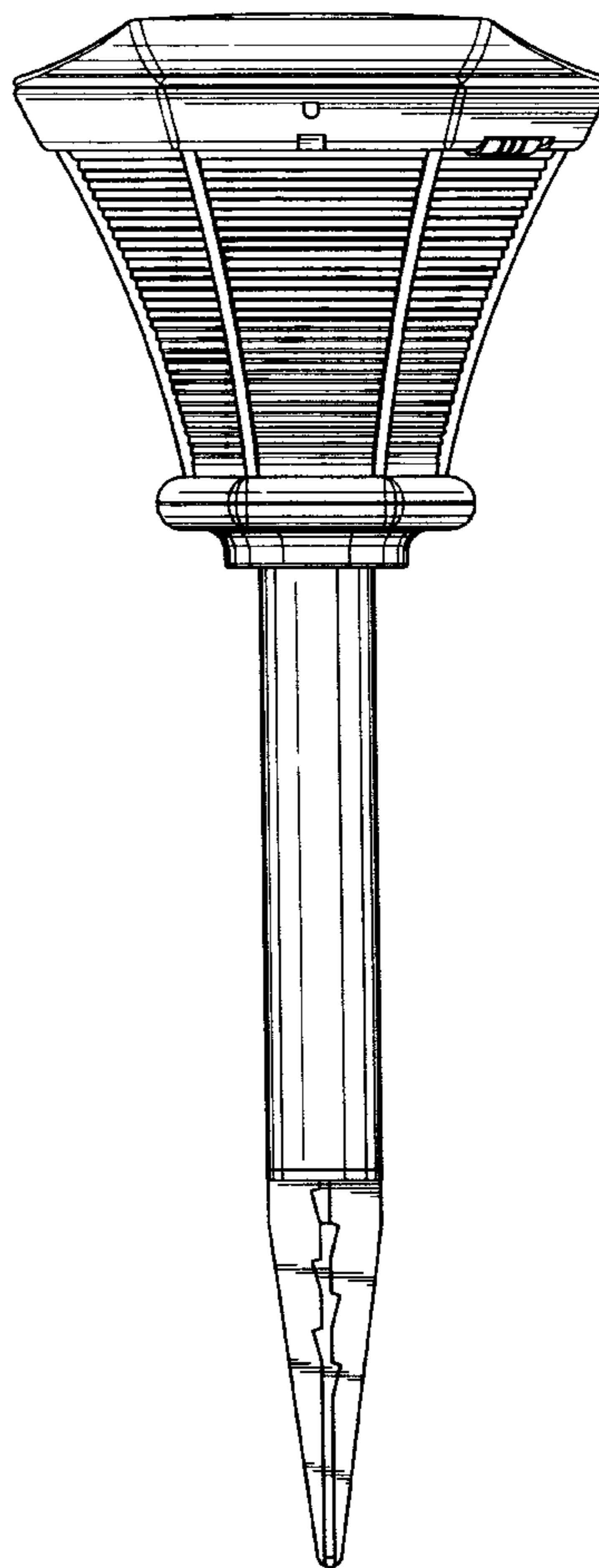
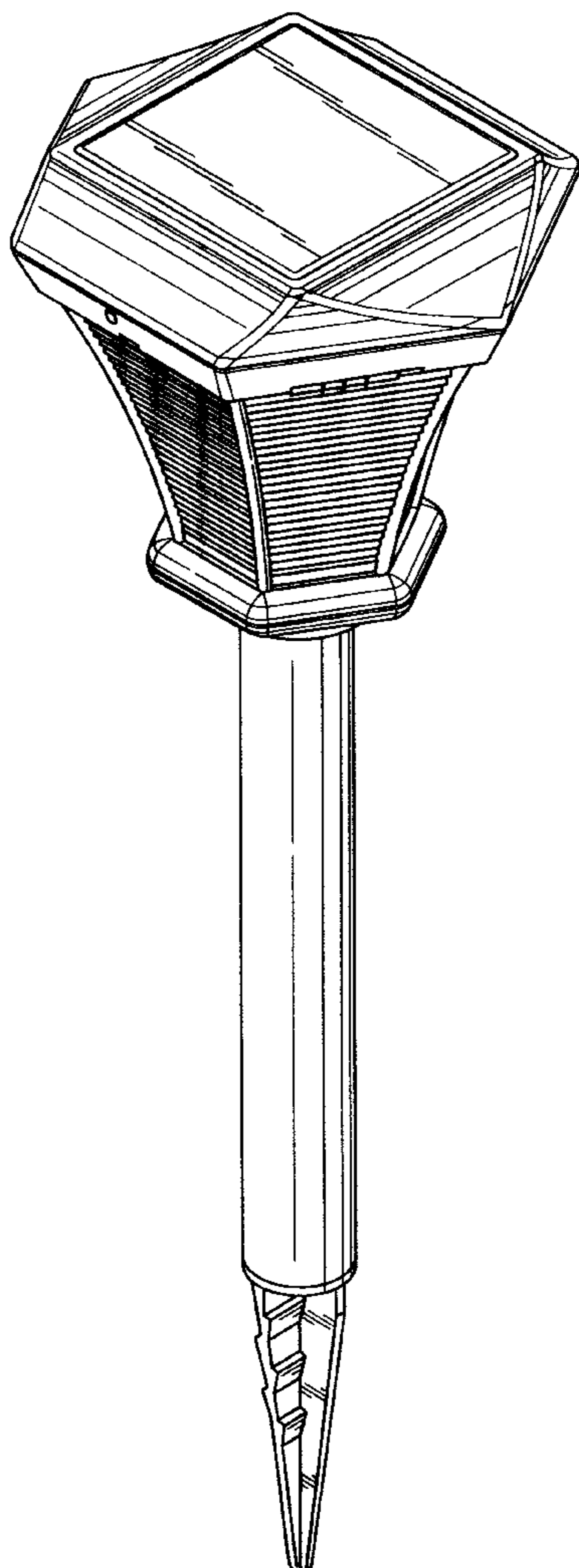
(57) **CLAIM**

The ornamental design for an outdoor light, as shown and described.

DESCRIPTION

FIG. 1 is a front, right side and top perspective view of an outdoor light showing my new design; FIG. 2 is a front elevational view thereof; FIG. 3 is a rear elevational view thereof; FIG. 4 is a right side elevational view thereof; FIG. 5 is a left side elevational view thereof; FIG. 6 is a top plan view thereof; and, FIG. 7 is a bottom plan view thereof.

1 Claim, 3 Drawing Sheets



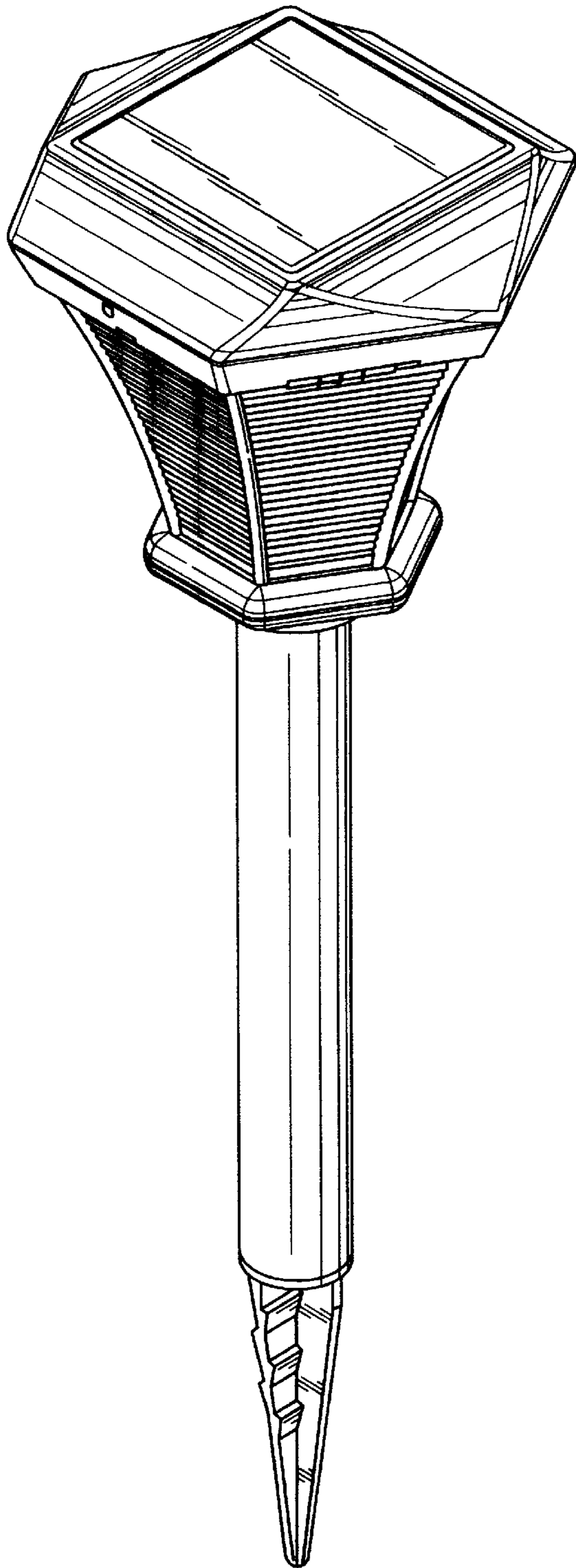


FIG. 1

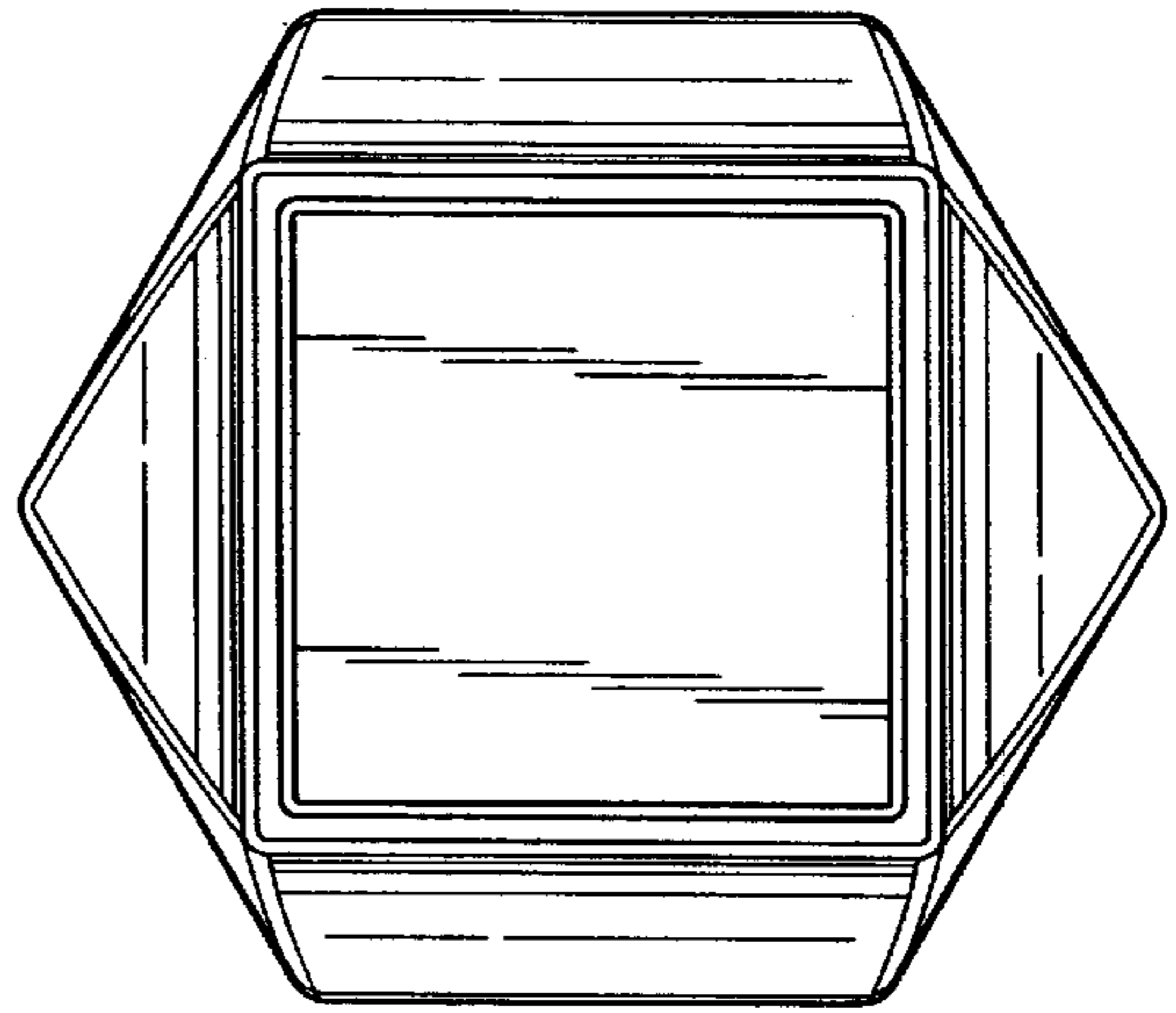


FIG. 6

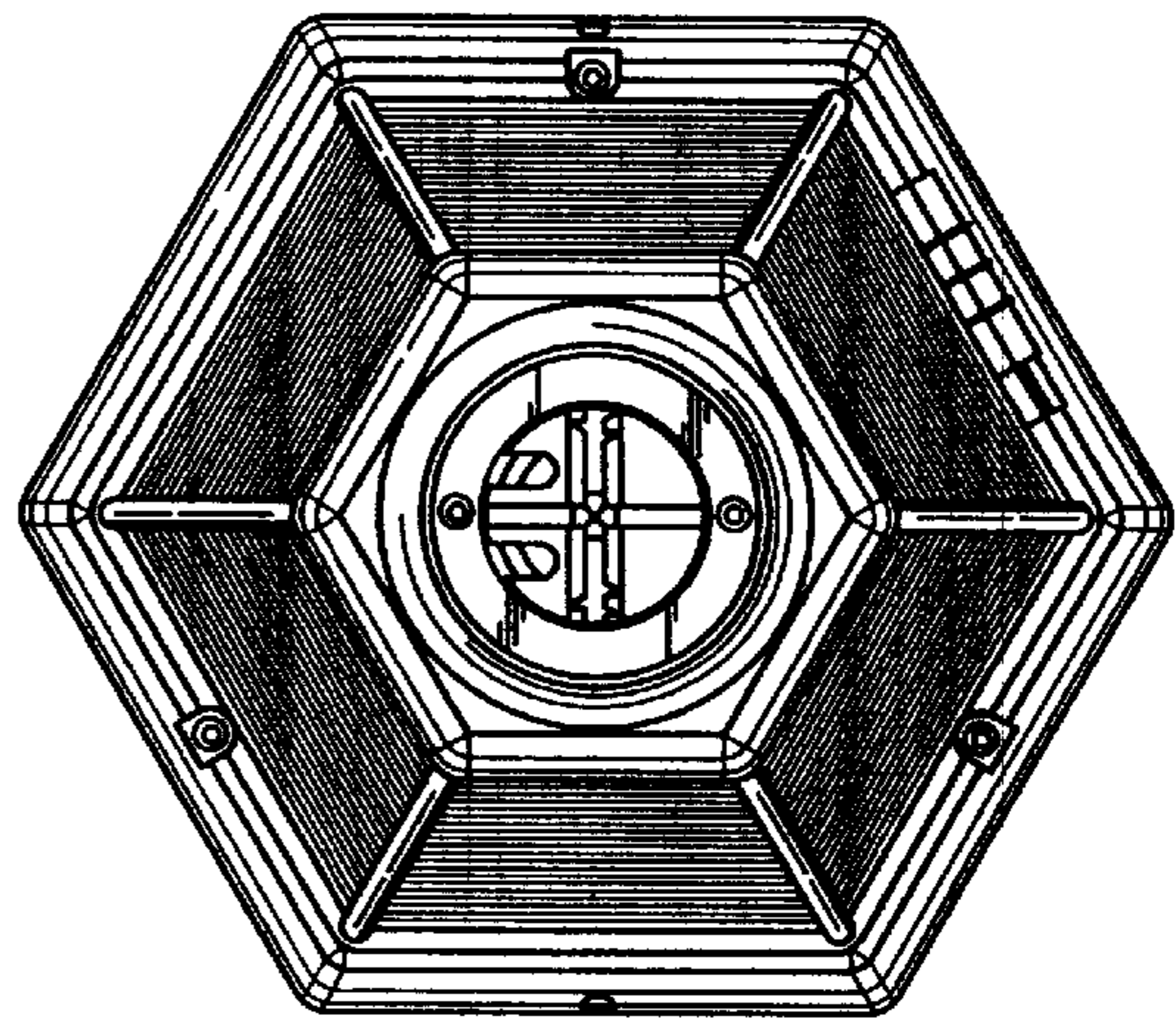


FIG. 7

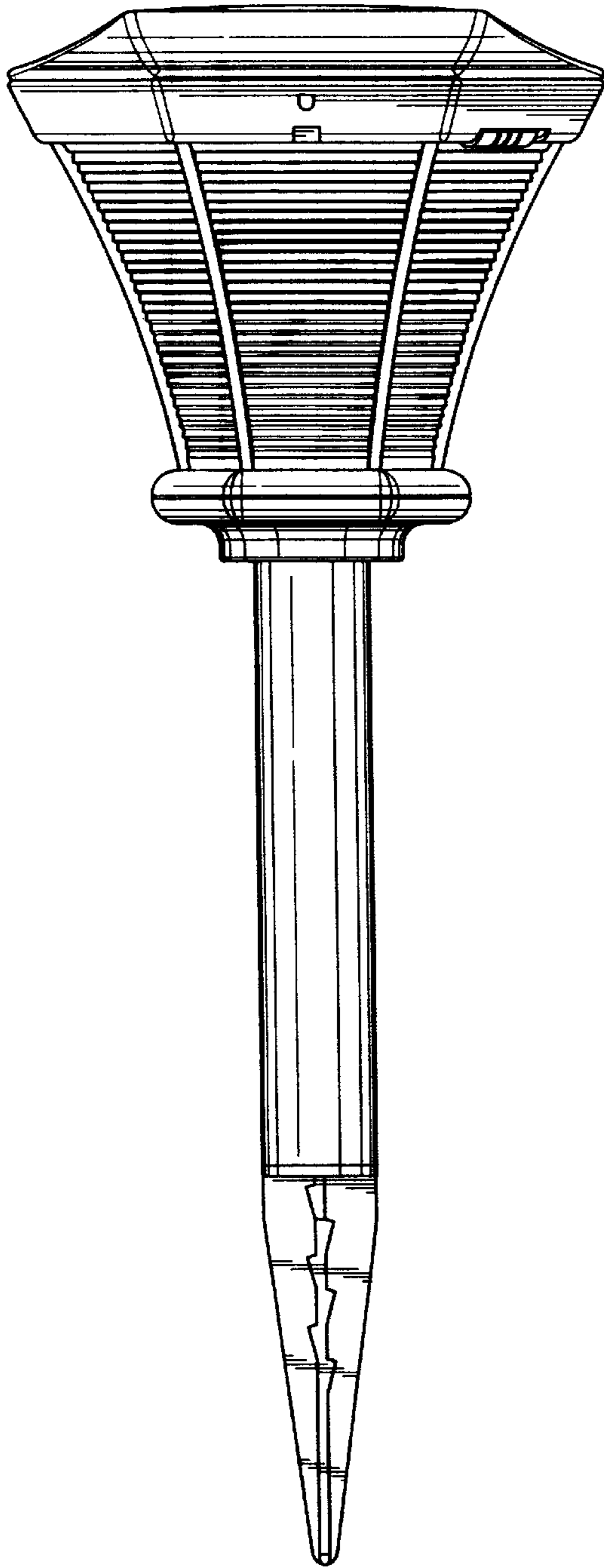


FIG. 2

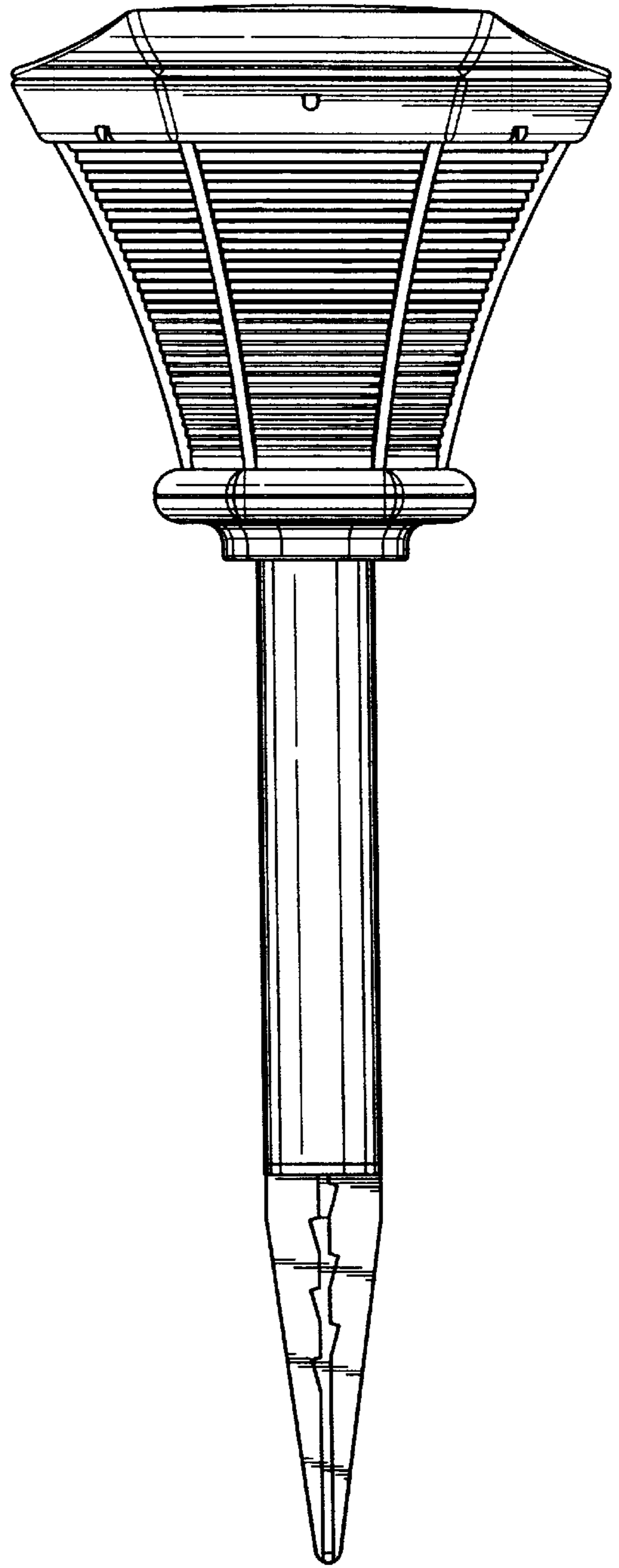


FIG. 3

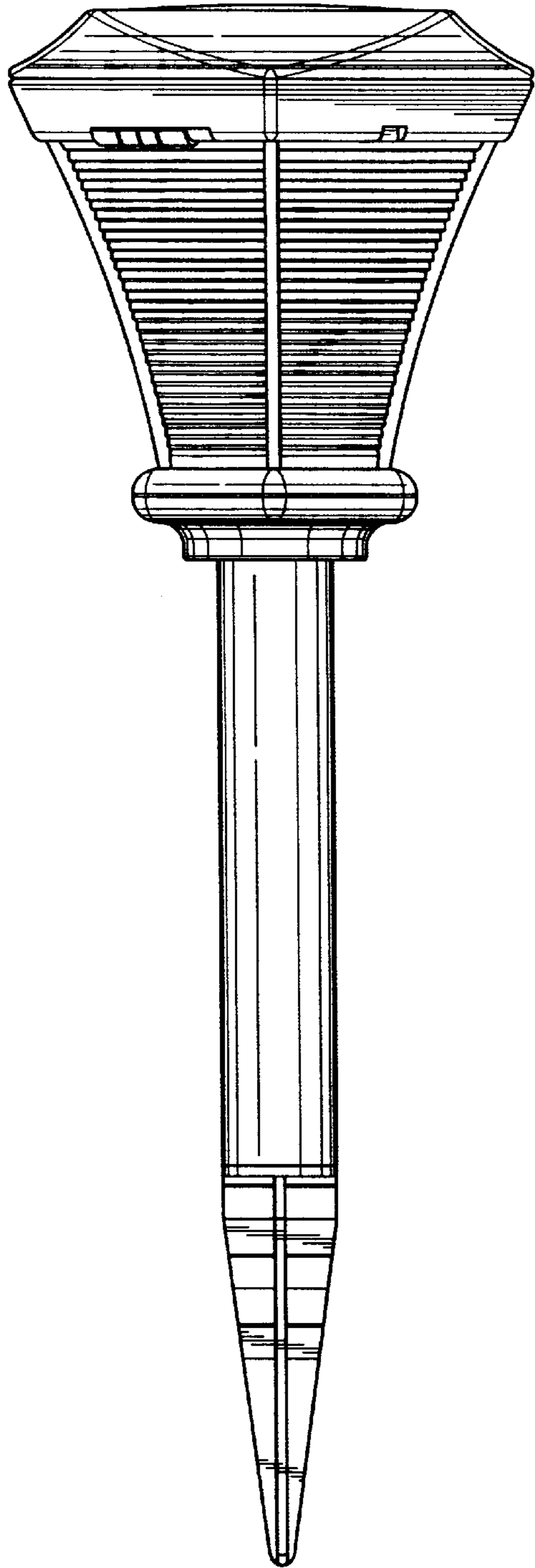


FIG. 4

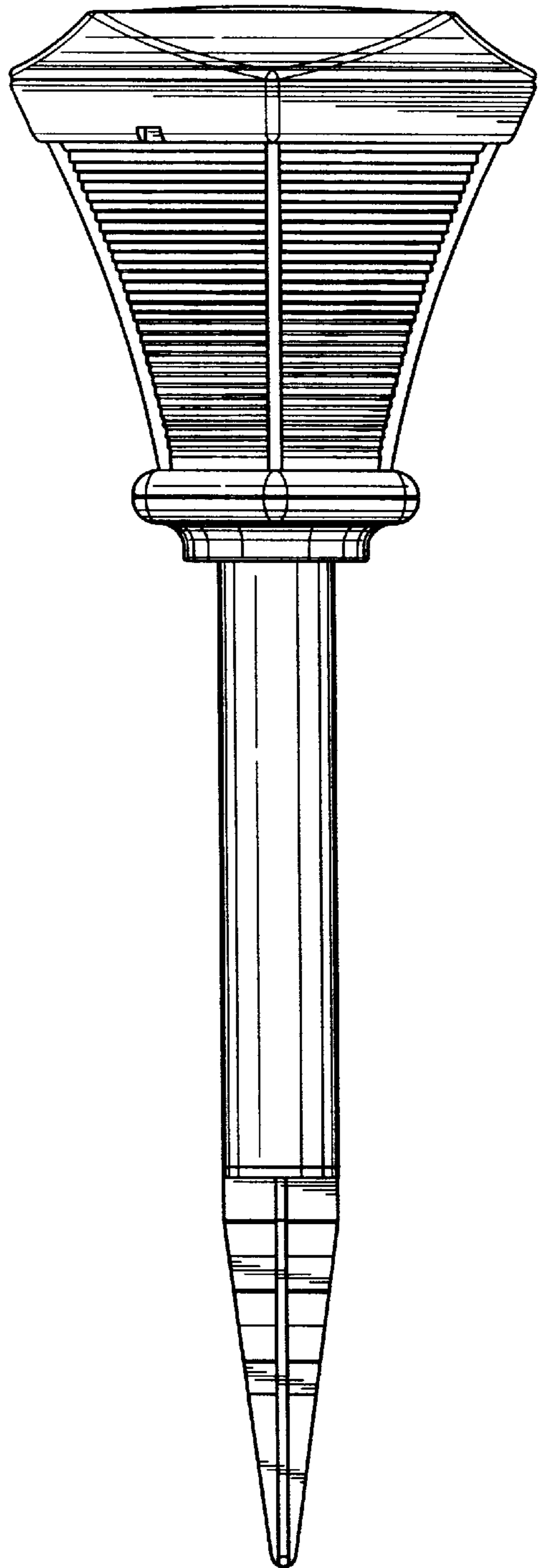


FIG. 5