



US00D445936S

(12) **United States Design Patent**
Mier-Langner et al.

(10) **Patent No.:** **US D445,936 S**

(45) **Date of Patent:** **** Jul. 31, 2001**

(54) **LIGHT FIXTURE**

(75) Inventors: **Alejandro Mier-Langner**, Providence, RI (US); **Robert Scott Gosnell**, Weymouth, MA (US)

(73) Assignee: **Genlyte Thomas Group LLC**, Louisville, KY (US)

(**) Term: **14 Years**

(21) Appl. No.: **29/136,050**

(22) Filed: **Jan. 24, 2001**

(51) **LOC (7) Cl.** **26-05**

(52) **U.S. Cl.** **D26/63**

(58) **Field of Search** D26/60-66; 362/267, 362/269, 281, 285, 287, 418, 419, 427, 430

(56) **References Cited**

U.S. PATENT DOCUMENTS

- D. 312,886 * 12/1990 Brown D26/63
- D. 411,025 * 6/1999 Rahn D26/63

- D. 434,515 * 11/2000 McNamara D26/63
- D. 436,678 * 1/2001 Mier-Langer et al. D26/63

* cited by examiner

Primary Examiner—Susan J. Lucas

(74) *Attorney, Agent, or Firm*—Jeffrey A. Haerberlin; Middleton Reutlinger

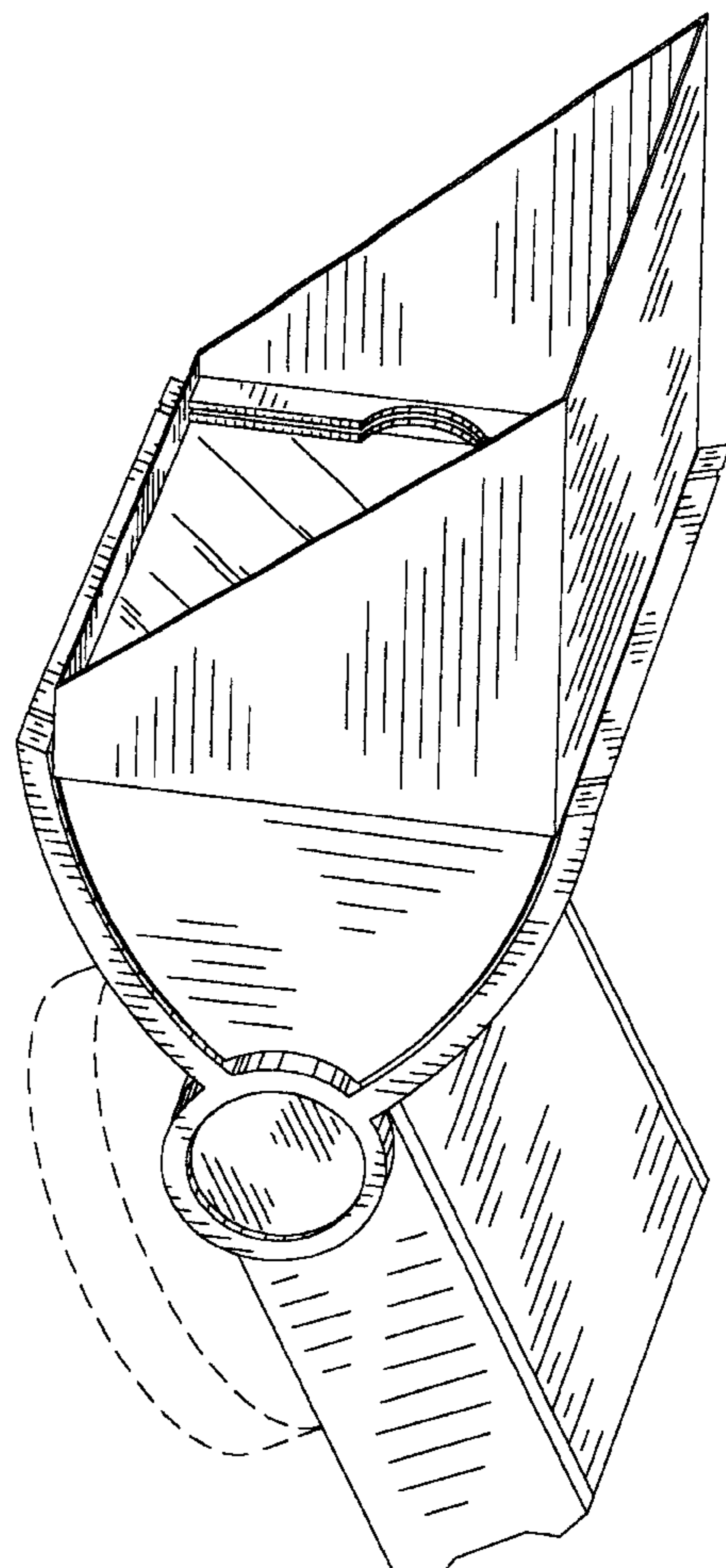
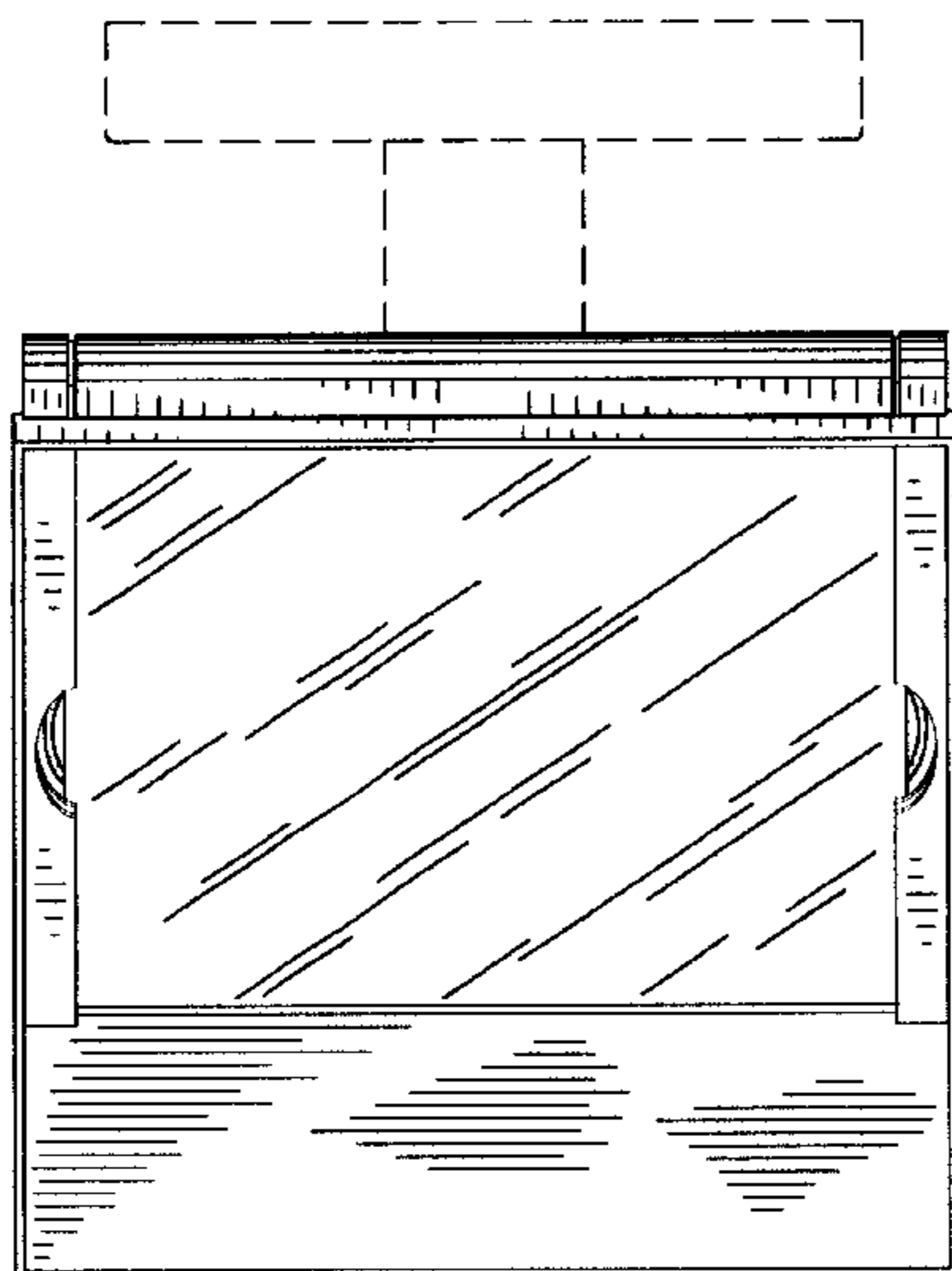
(57) **CLAIM**

The ornamental design for a light fixture, as shown and described herein.

DESCRIPTION

FIG. 1 is a top plan view of a light fixture showing our design;
 FIG. 2 is a right side elevational view thereof;
 FIG. 3 is a left side elevational view thereof;
 FIG. 4 is a bottom plan view thereof;
 FIG. 5 is a rear elevational view thereof;
 FIG. 6 is a front elevational view thereof;
 FIG. 7 is a perspective view thereof; and,
 FIG. 8 is another perspective view thereof.
 The broken line showing of environmental structure in the figures is for illustrative purposes only and forms no part of the claimed design.

1 Claim, 6 Drawing Sheets



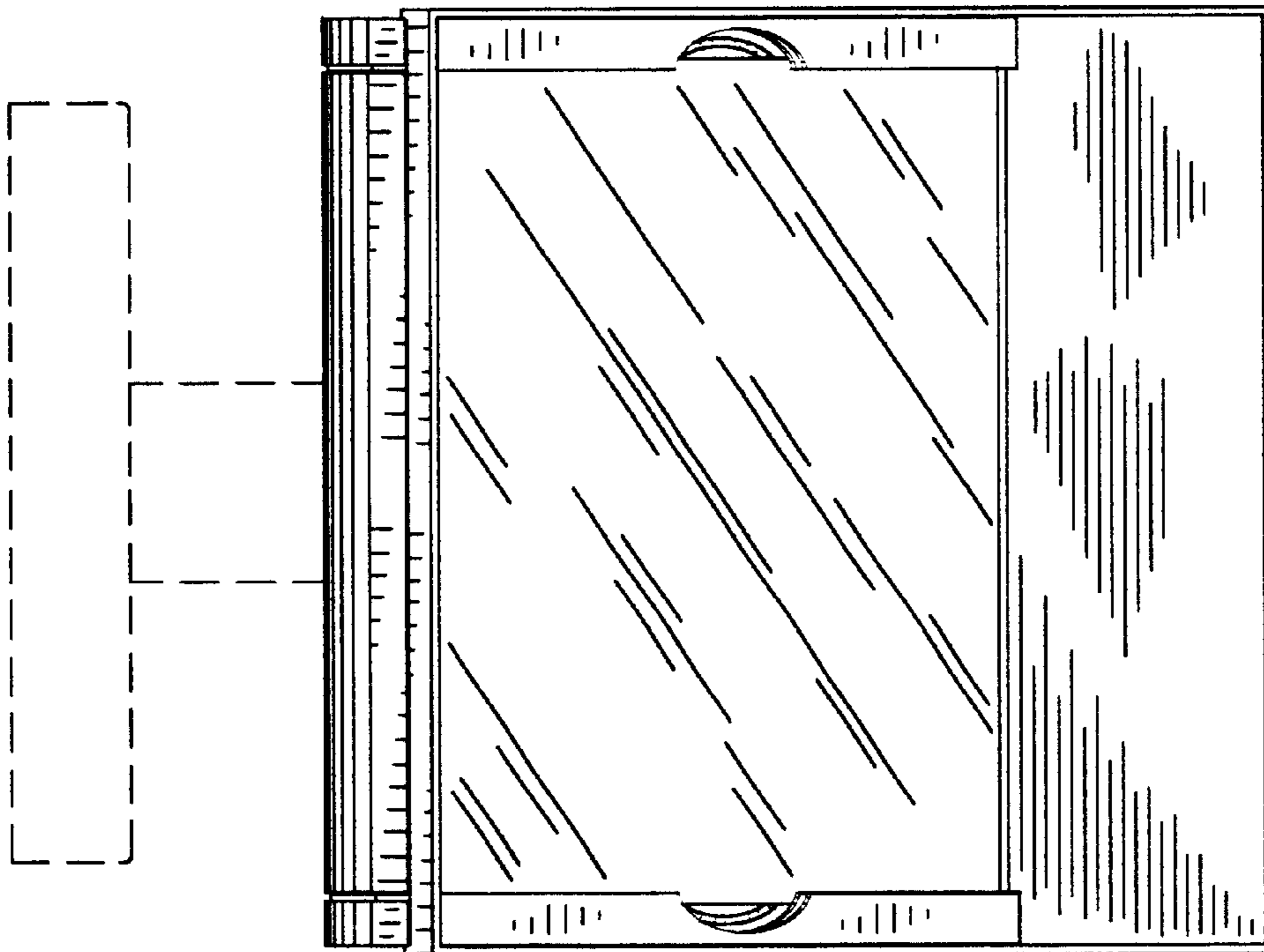
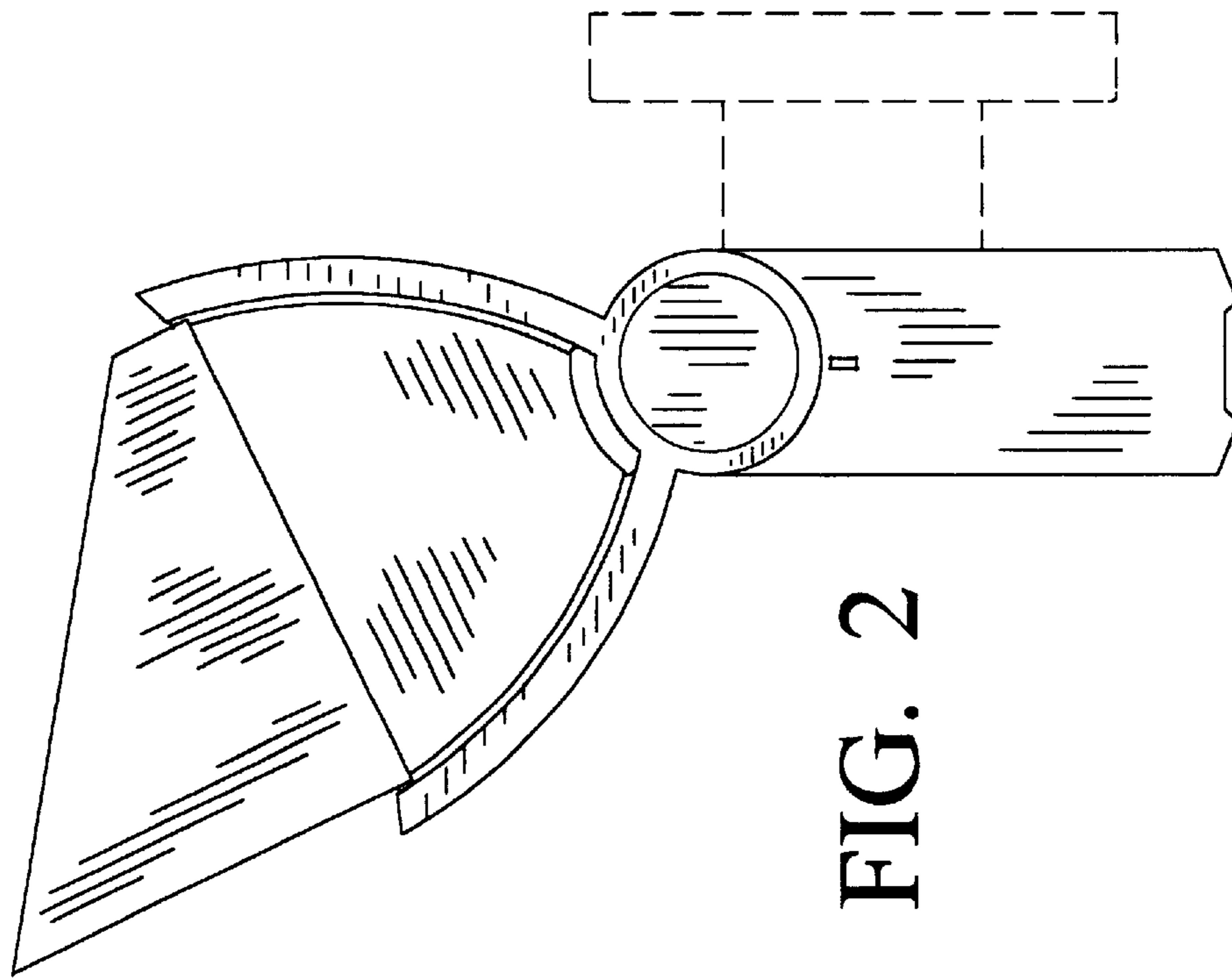
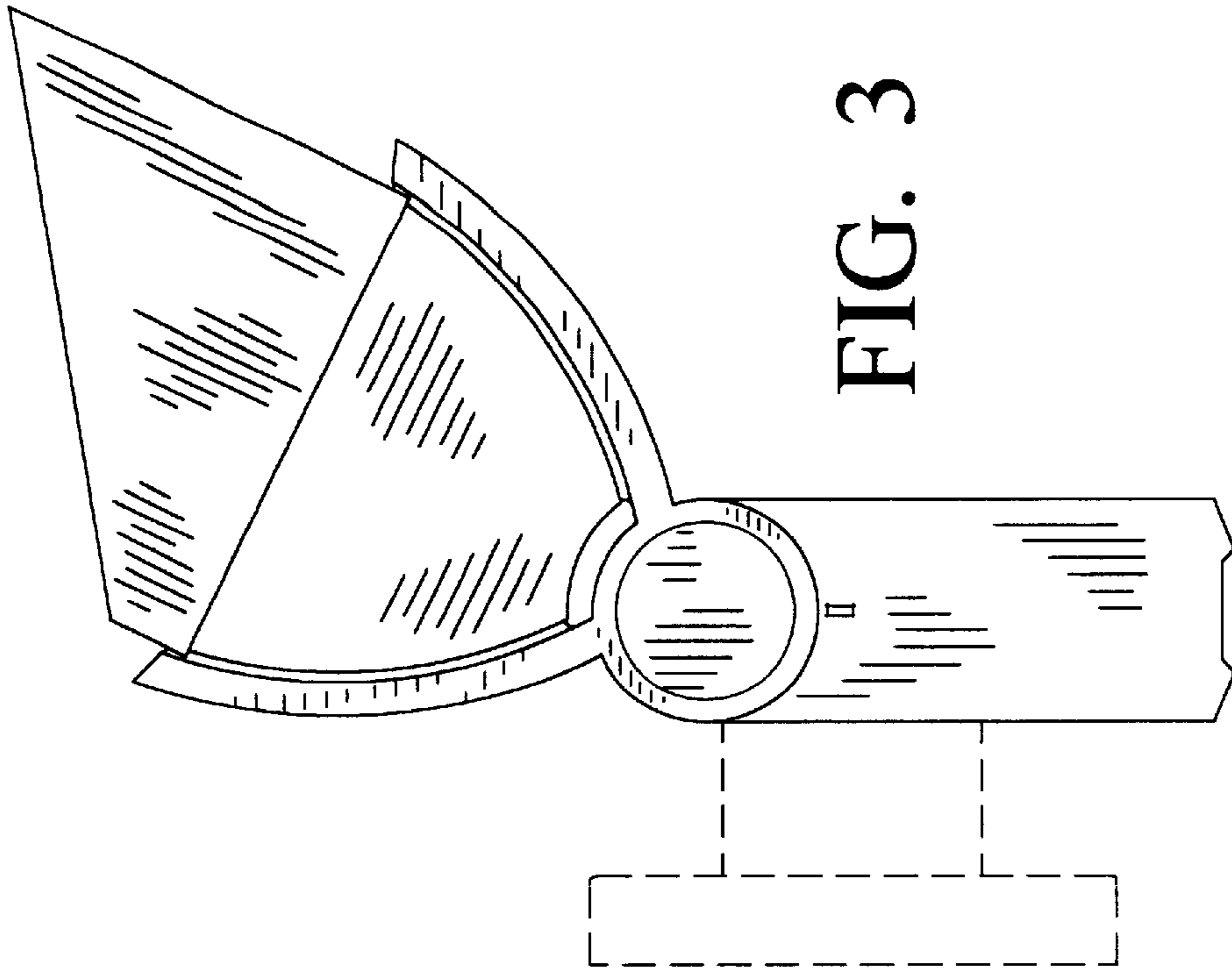


FIG. 1



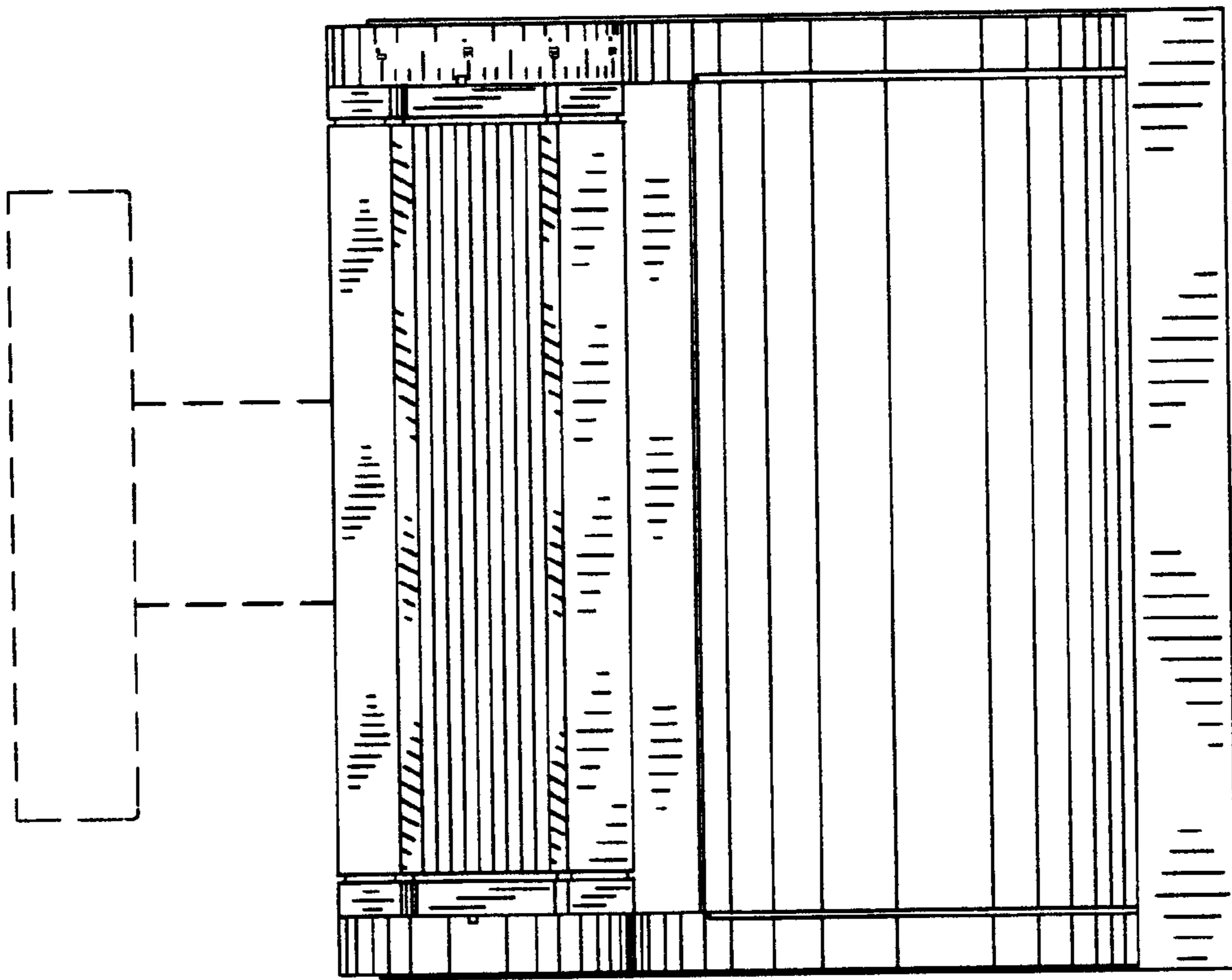


FIG. 4

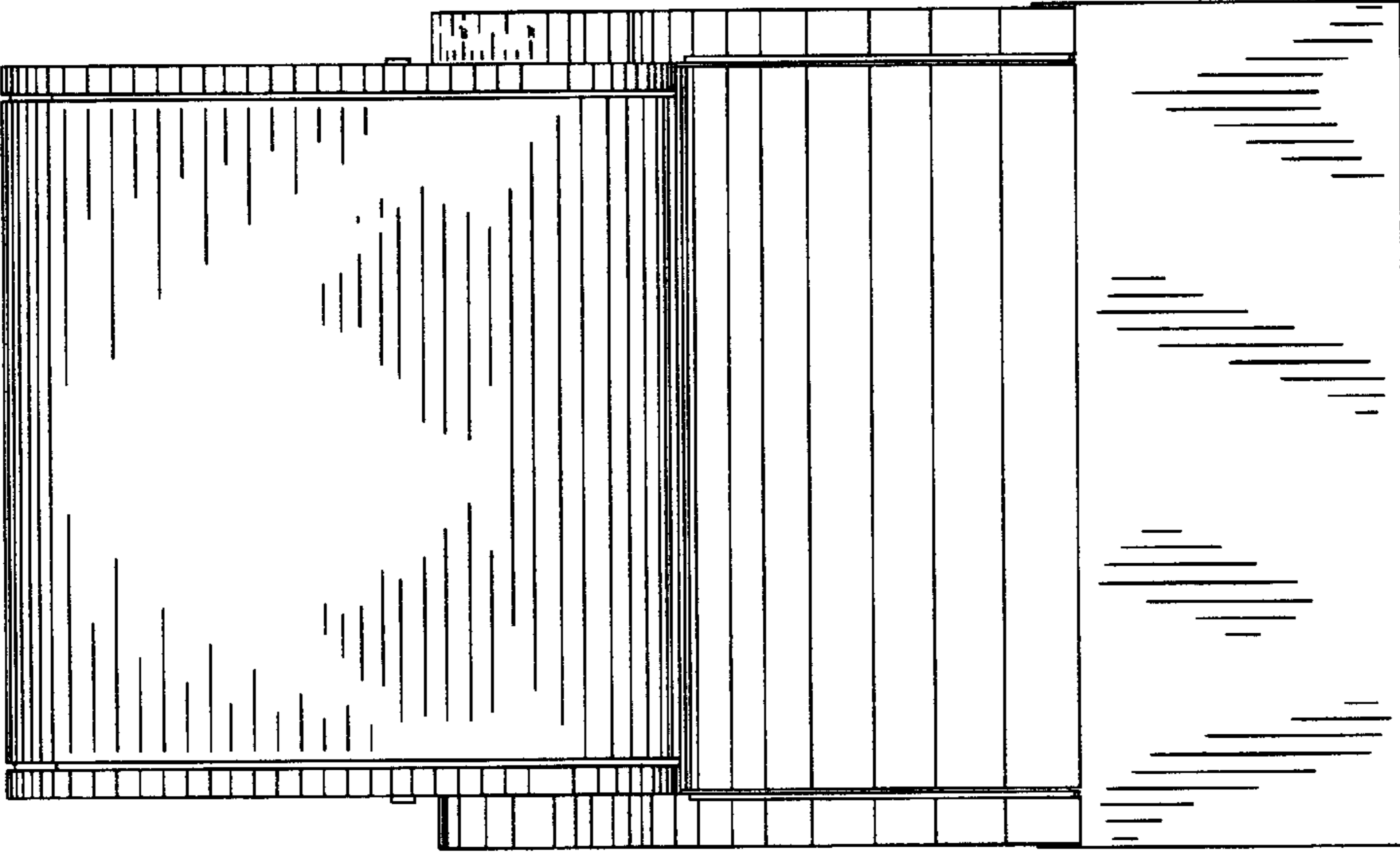


FIG. 6

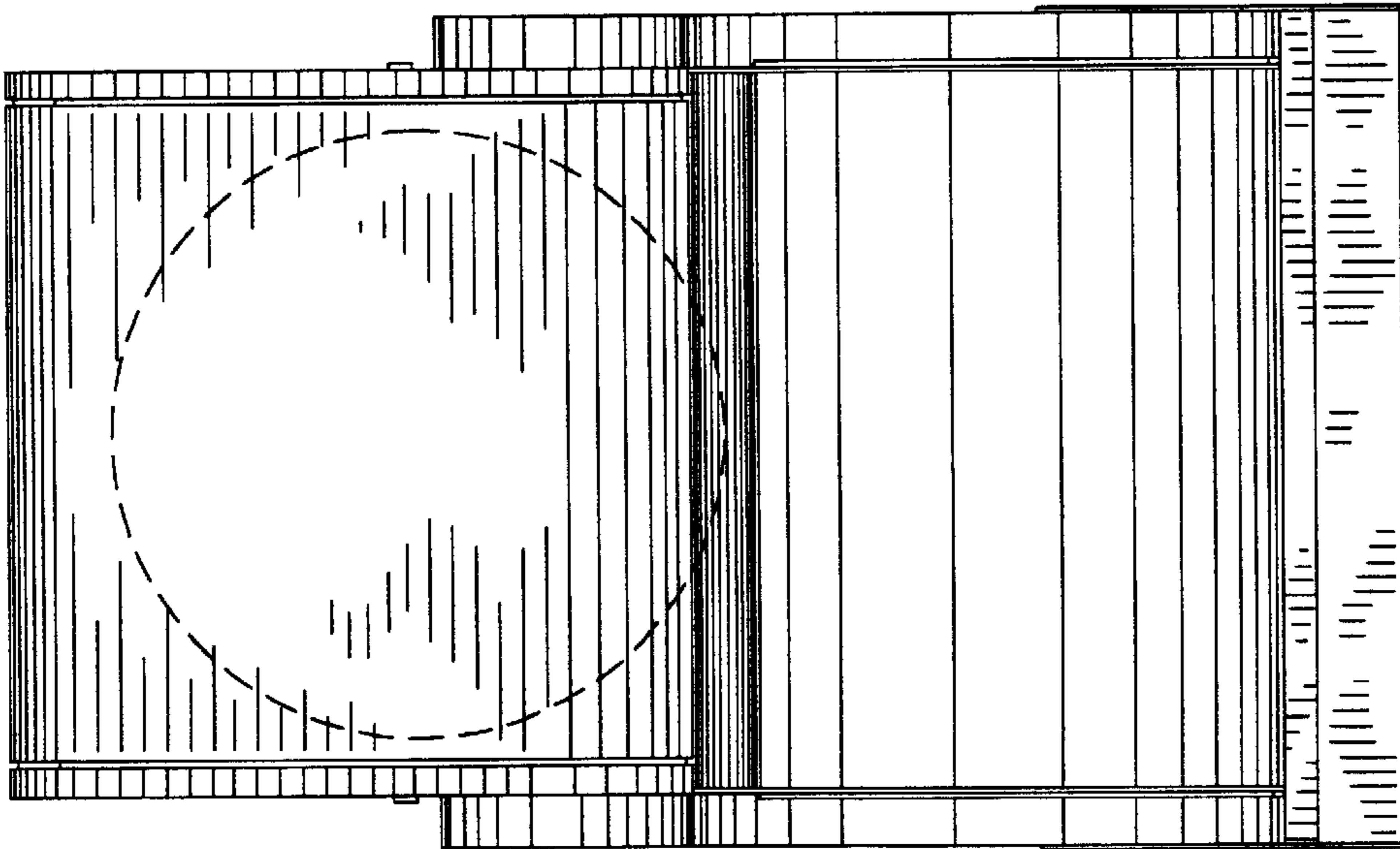


FIG. 5

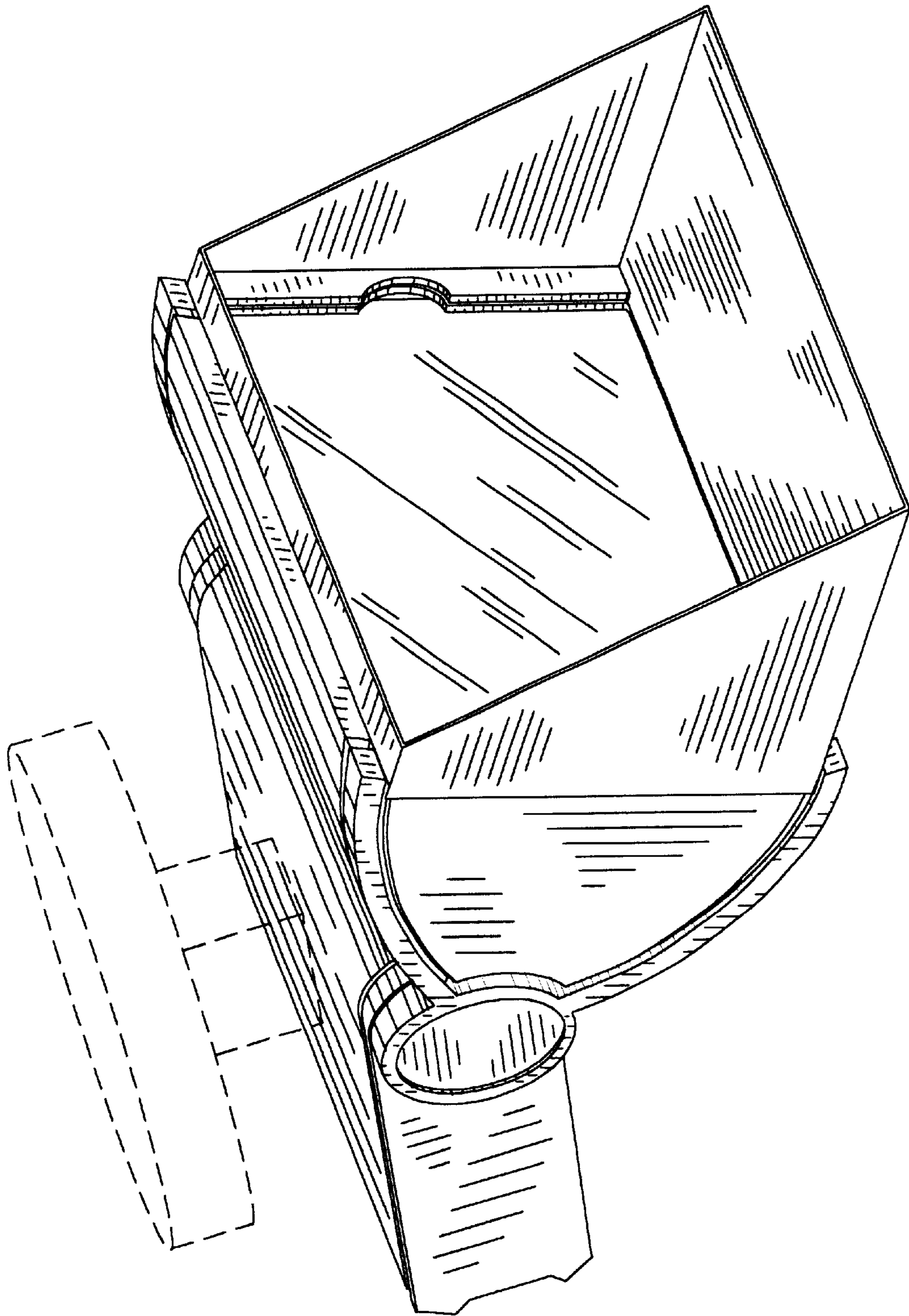


FIG. 7

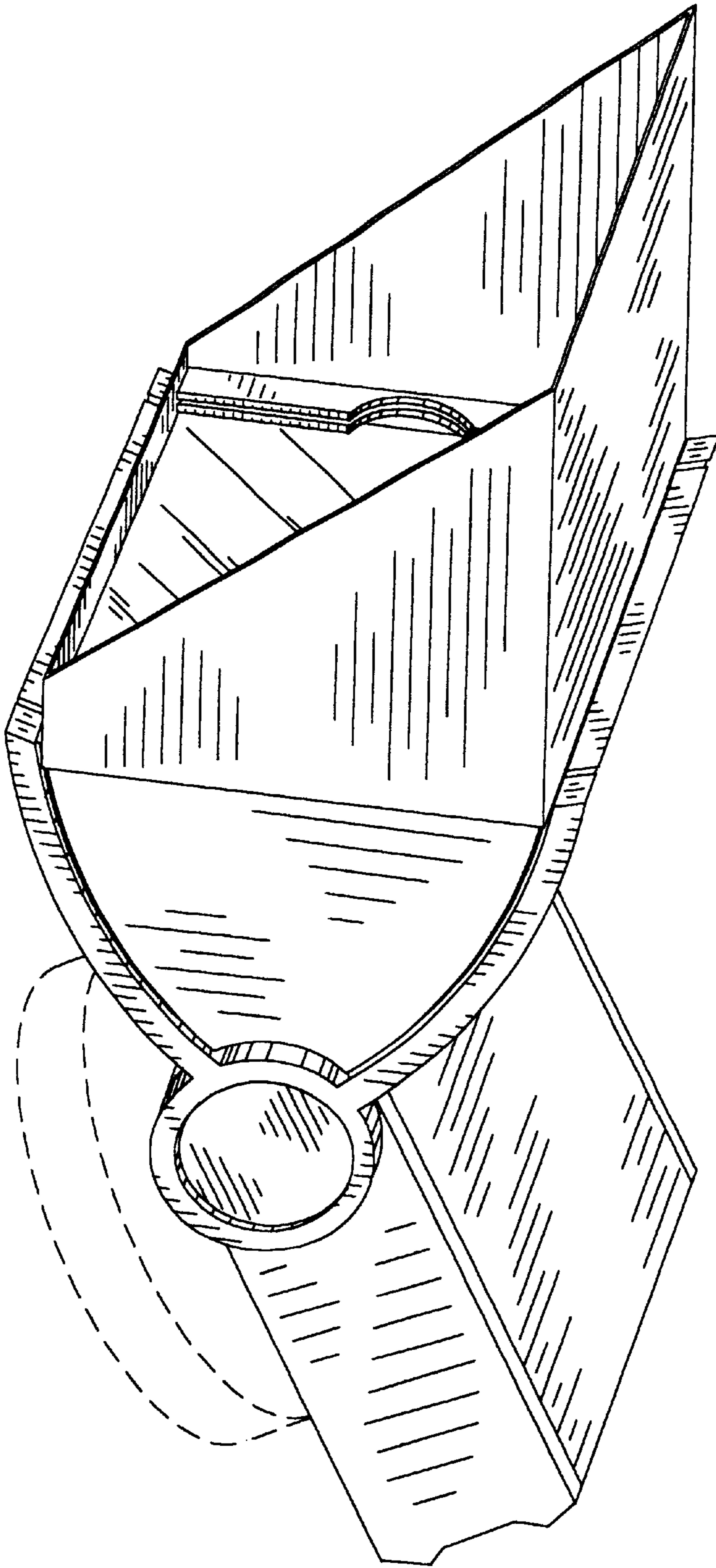


FIG. 8