



US00D445935S

(12) **United States Design Patent**  
**Shing**

(10) **Patent No.:** **US D445,935 S**

(45) **Date of Patent:** **\*\* Jul. 31, 2001**

(54) **SPOTLIGHT**

(75) Inventor: **Shiu Shing**, Kowloon (HK)

(73) Assignee: **Favour Light Enterprises, Ltd.**,  
Kowloon (HK)

(\*\*) Term: **14 Years**

(21) Appl. No.: **29/132,299**

(22) Filed: **Nov. 7, 2000**

(51) **LOC (7) Cl.** ..... **26-02**

(52) **U.S. Cl.** ..... **D26/50**

(58) **Field of Search** ..... D26/37-50; 362/157,  
362/158, 171, 172, 173, 183-208

(56) **References Cited**

**U.S. PATENT DOCUMENTS**

- D. 293,825 \* 1/1988 Jennings ..... D26/50
- D. 404,154 \* 1/1999 Breit ..... D26/50

D. 404,158 \* 1/1999 Yuen ..... D26/50

\* cited by examiner

*Primary Examiner*—Marcus A. Jackson

(74) *Attorney, Agent, or Firm*—Larson & Taylor, PLC

(57) **CLAIM**

The ornamental design of a spotlight, as shown and described.

**DESCRIPTION**

FIG. 1 is front view of a spotlight according to the present invention.

FIG. 2 is a right side view of the spotlight depicted in FIG. 1.

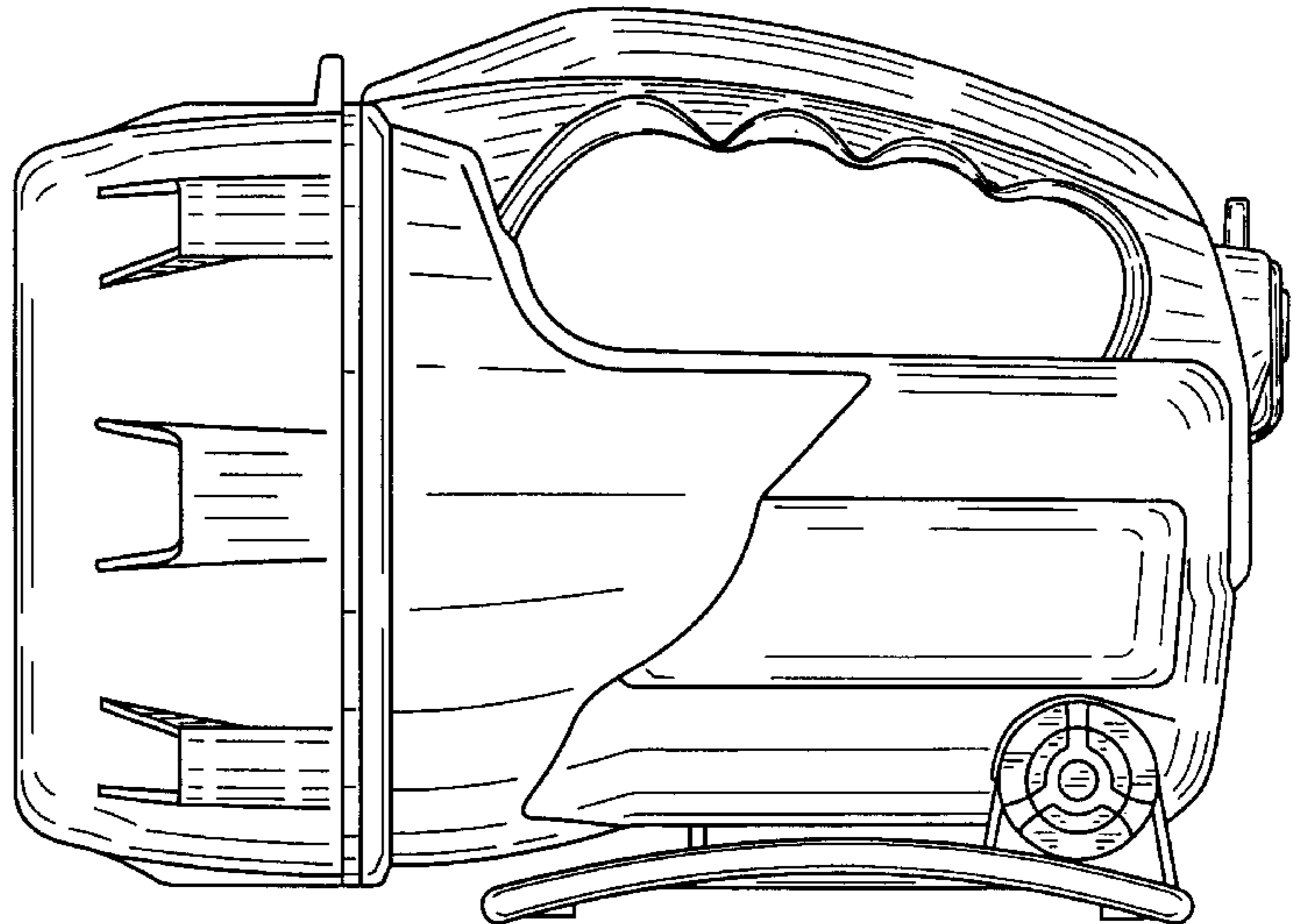
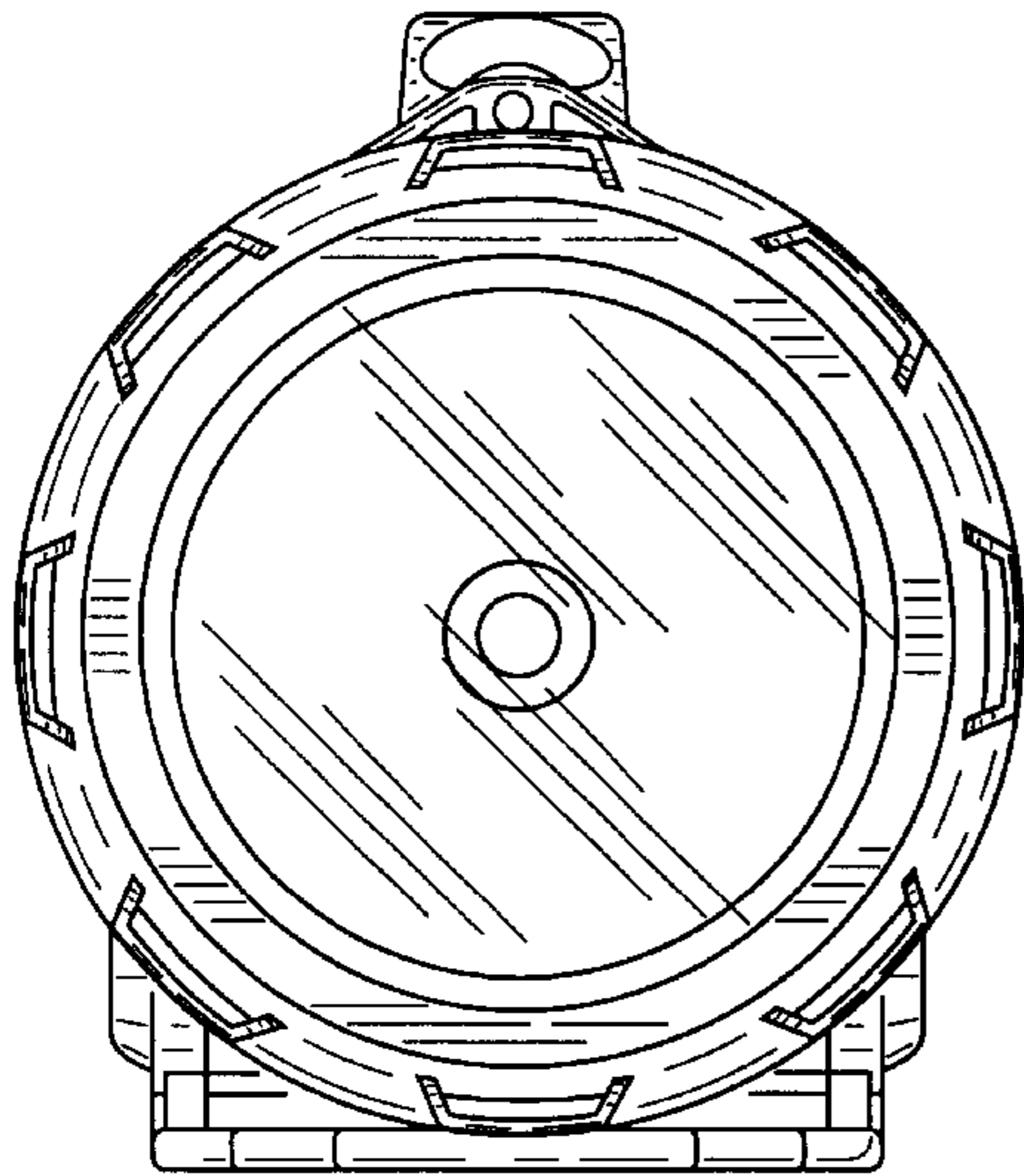
FIG. 3 is a bottom view of the spotlight depicted in FIG. 1.

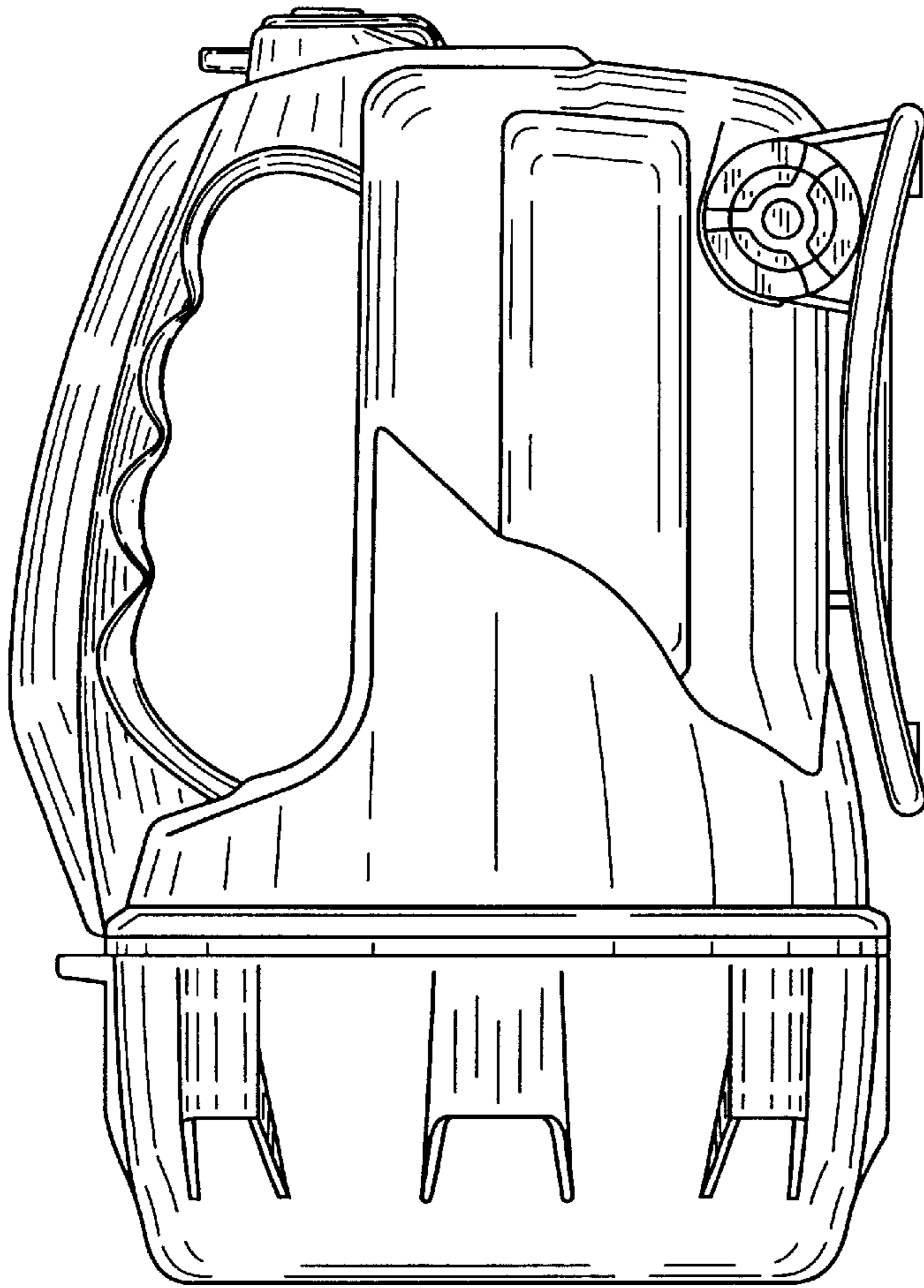
FIG. 4 is rear view of the spotlight depicted in FIG. 1.

FIG. 5 is a top view of the spotlight depicted in FIG. 1; and,

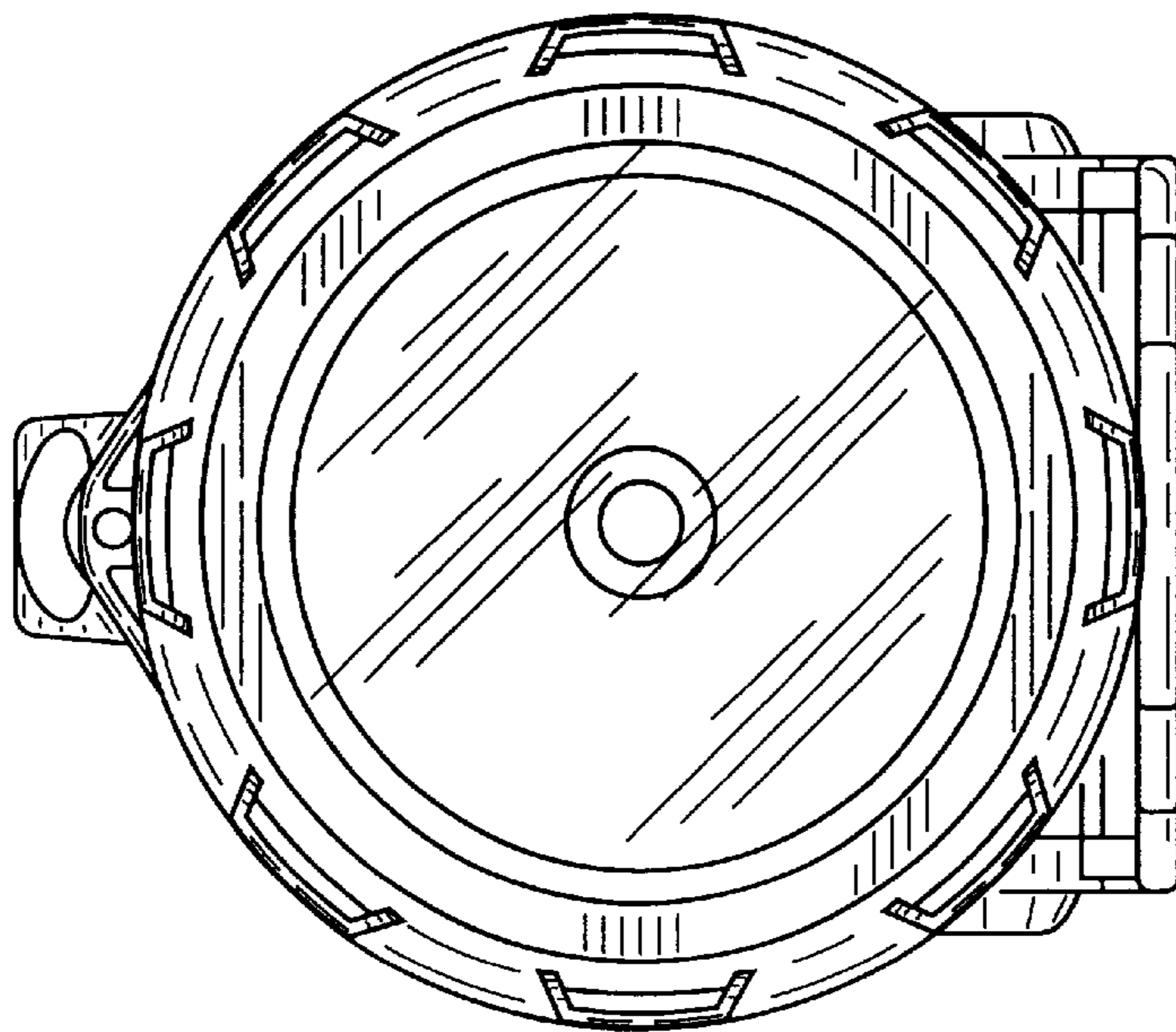
FIG. 6 is a left side view of the spotlight depicted in FIG. 1.

**1 Claim, 4 Drawing Sheets**

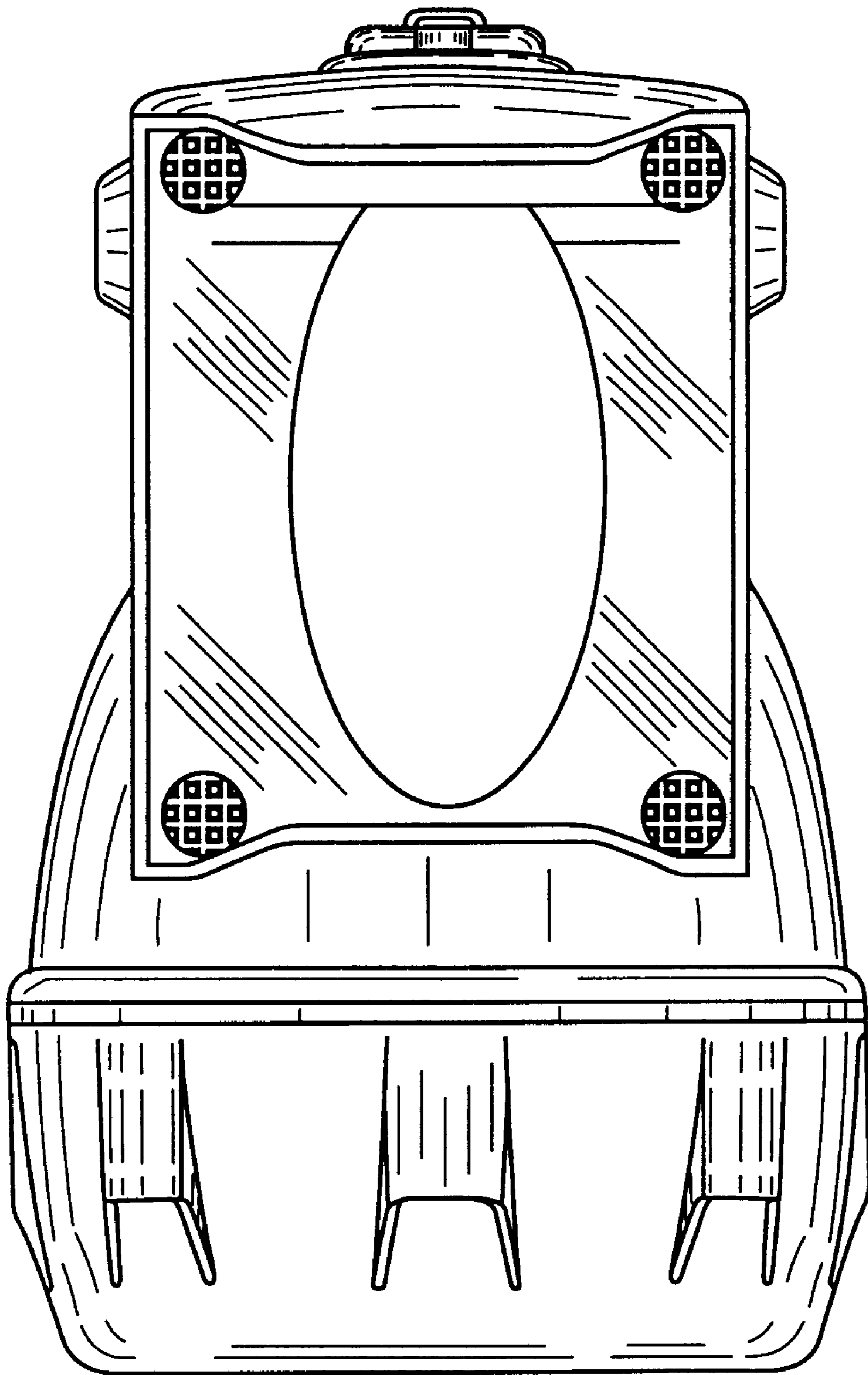




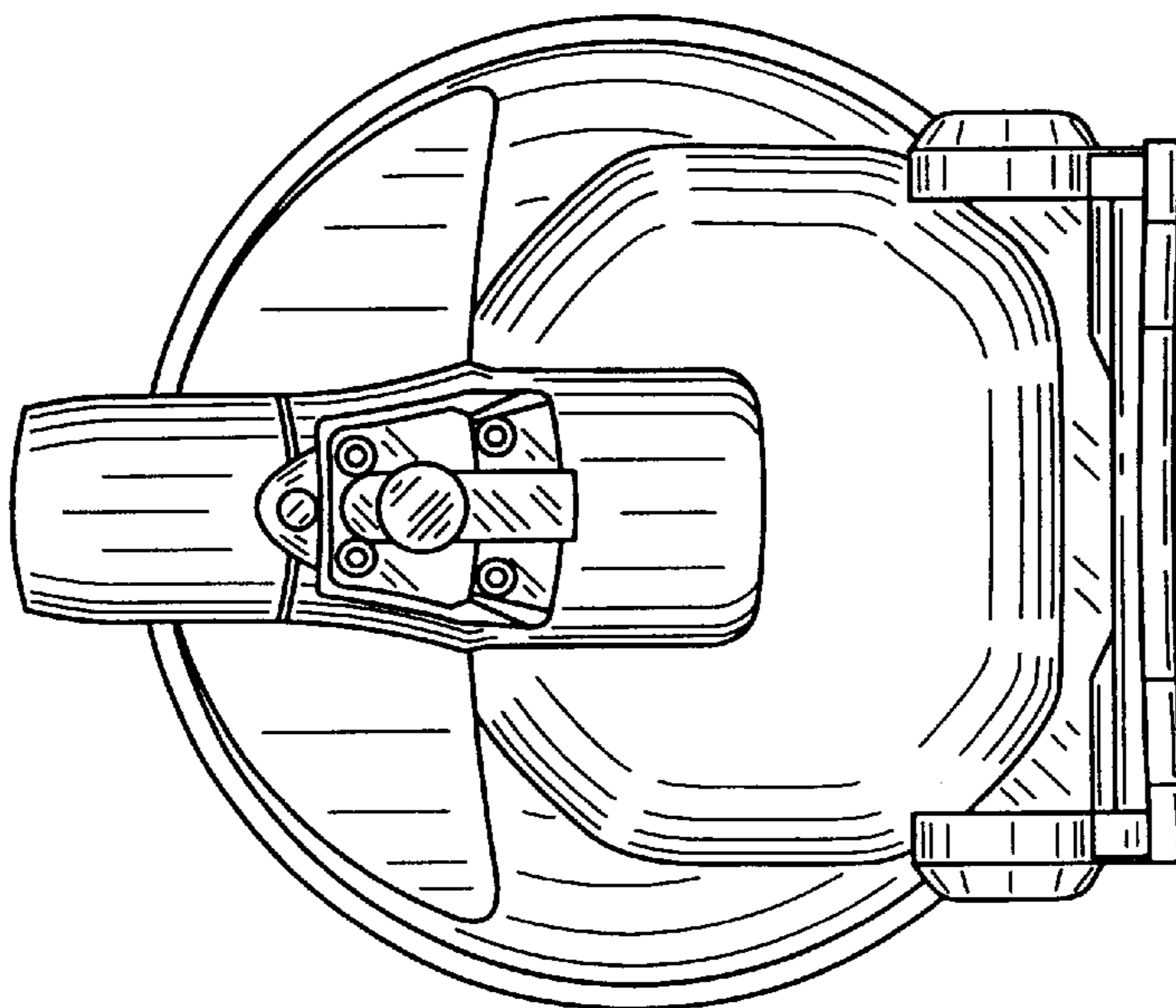
**FIG. 1**



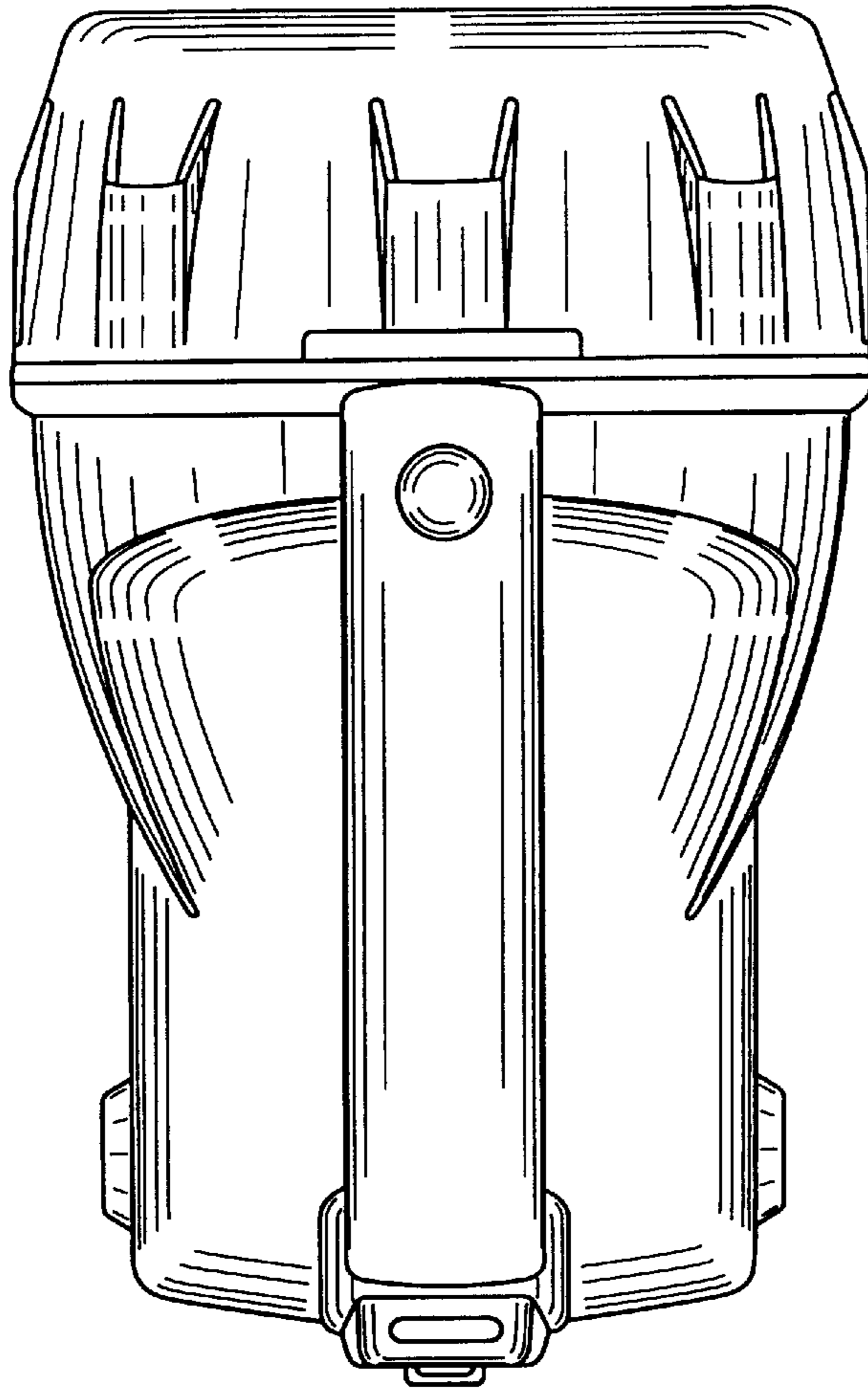
**FIG. 2**



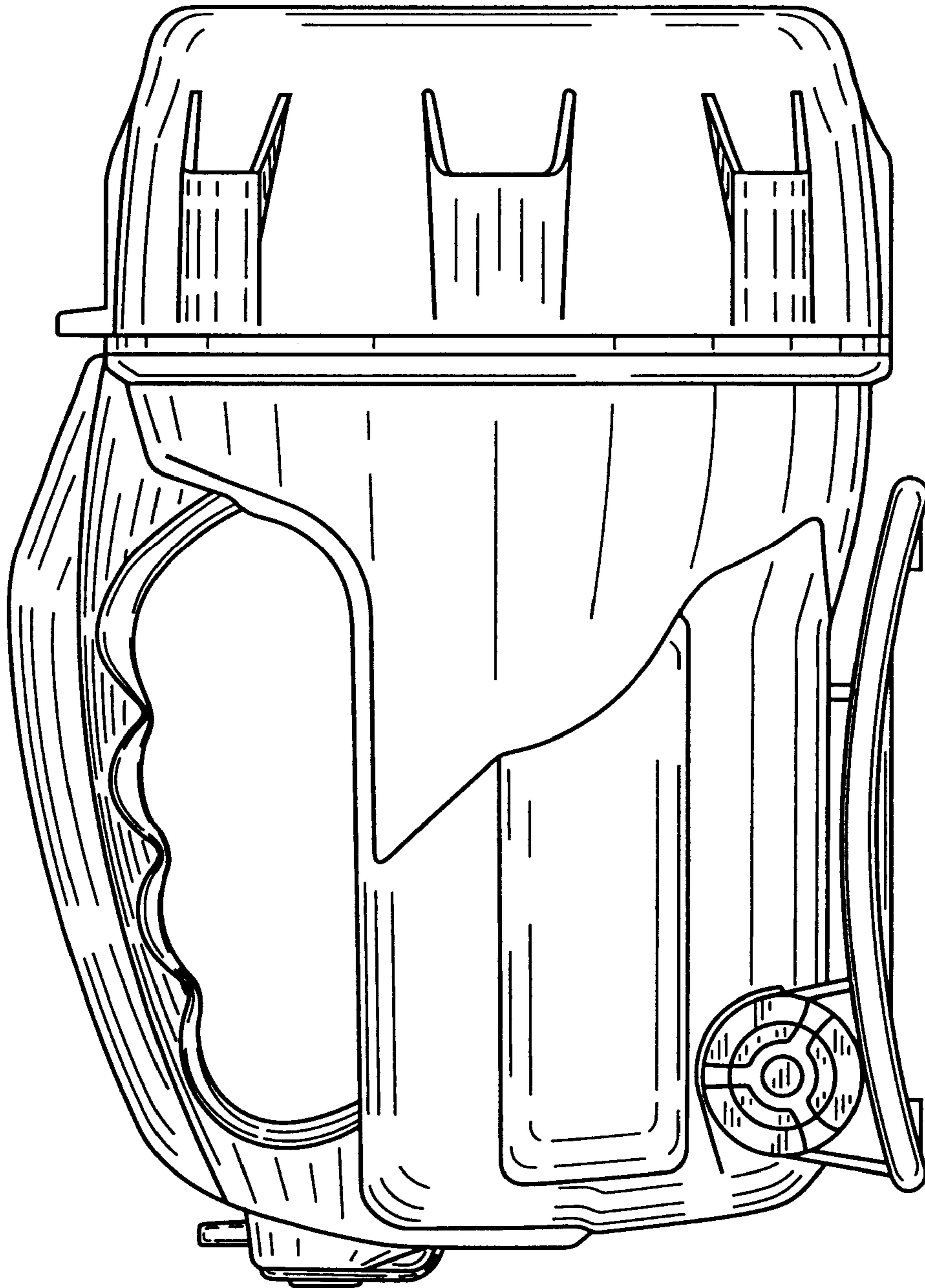
**FIG. 3**



**FIG. 4**



**FIG. 5**



**FIG. 6**