

US00D445934S

(12) **United States Design Patent**
Dalton et al.

(10) **Patent No.:** **US D445,934 S**

(45) **Date of Patent:** **** Jul. 31, 2001**

(54) **FLASHLIGHT**

D. 404,153 1/1999 Dalton et al. .

(75) **Inventors:** **David R. Dalton**, Turramurra; **John R. Brown**, Mosman; **Adam Shipway**, Crows Nest, all of (AU)

* cited by examiner

Primary Examiner—Marcus A. Jackson
(74) *Attorney, Agent, or Firm*—Robert W. Welsh

(73) **Assignee:** **Eveready Battery Company, Inc.**, St. Louis, MO (US)

(57) **CLAIM**

(**) **Term:** **14 Years**

We claim the ornamental design for a flashlight, as shown and described.

(21) **Appl. No.:** **29/130,011**

(22) **Filed:** **Sep. 26, 2000**

(30) **Foreign Application Priority Data**

Mar. 31, 2000 (AU) 1042/00

(51) **LOC (7) Cl.** **26-02**

(52) **U.S. Cl.** **D26/49**

(58) **Field of Search** D26/37-50; 362/157, 362/158, 171, 173, 183-208

DESCRIPTION

FIG. 1 is a perspective view showing the rear and a first side of the flashlight of the present invention;
FIG. 2 is a perspective view showing the front and a second side of the flashlight of the present invention;
FIG. 3 is an elevational plan view of the top of the flashlight of the present invention;
FIG. 4 is an elevational plan view of the first side of the flashlight of the present invention;
FIG. 5 is an elevational plan view of the bottom of the flashlight of the present invention;
FIG. 6 is an elevational view of the rear of the flashlight of the present invention;
FIG. 7 is an elevational view of the front of the flashlight of the present invention; and,
FIG. 8 is an elevational plan view of the second side of the flashlight of the present invention.

(56) **References Cited**

U.S. PATENT DOCUMENTS

- D. 287,411 * 12/1986 Drane D26/46
- D. 355,040 1/1995 Dalton et al. .
- D. 383,233 * 9/1997 Abry D26/46
- D. 383,863 * 9/1997 Ejuen D26/46

1 Claim, 3 Drawing Sheets

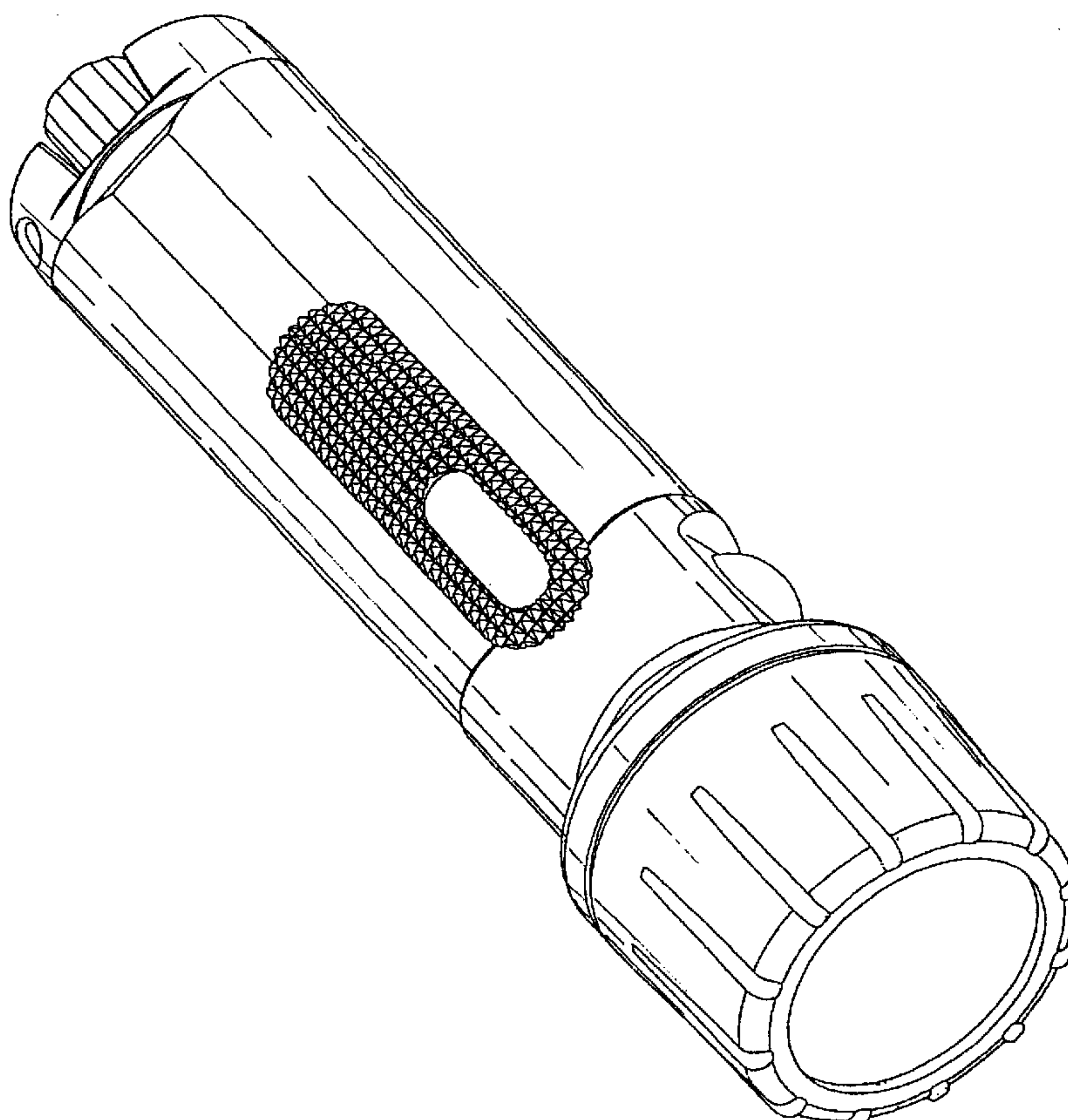


Fig. 1

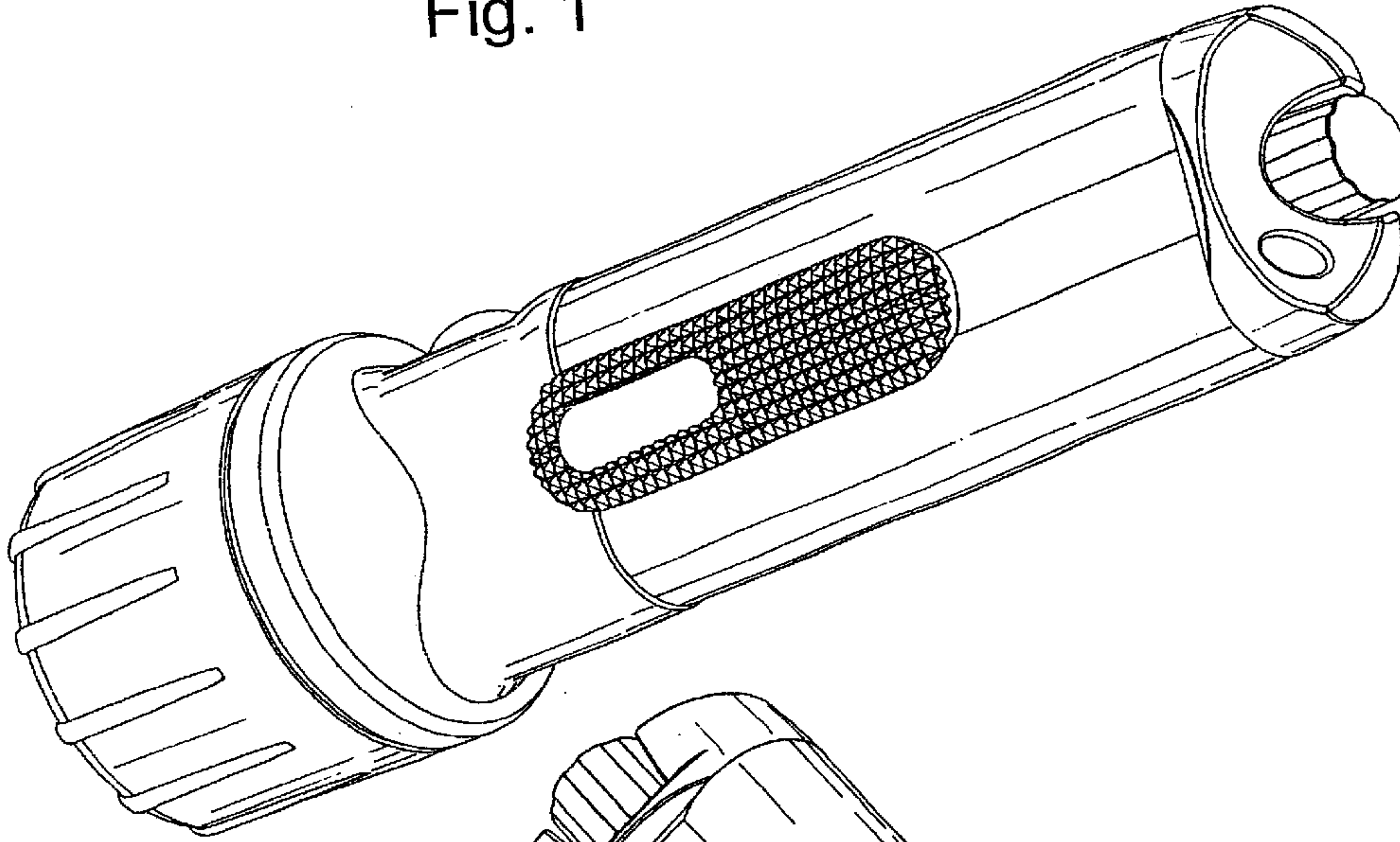


Fig. 2

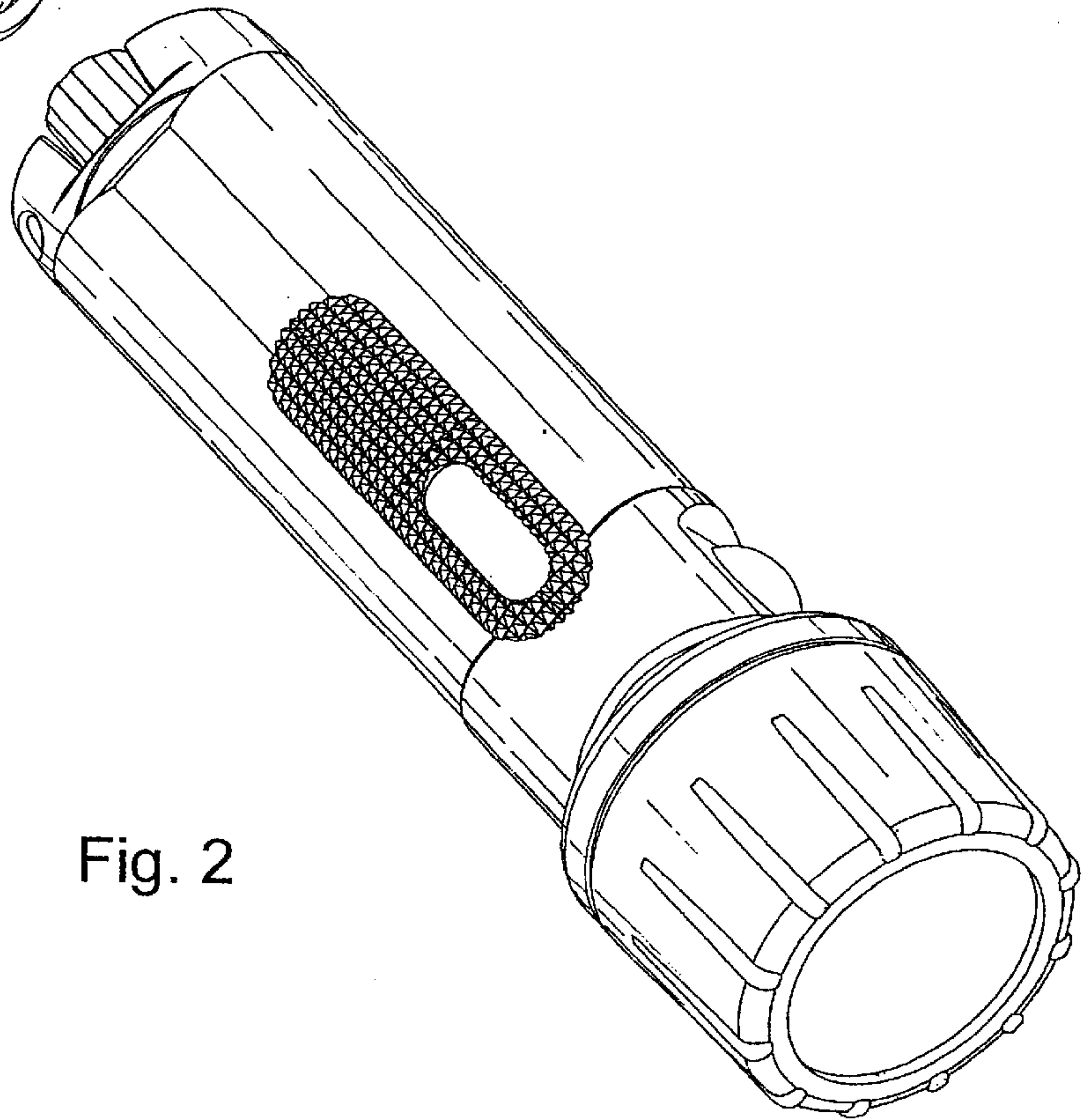


Fig. 3

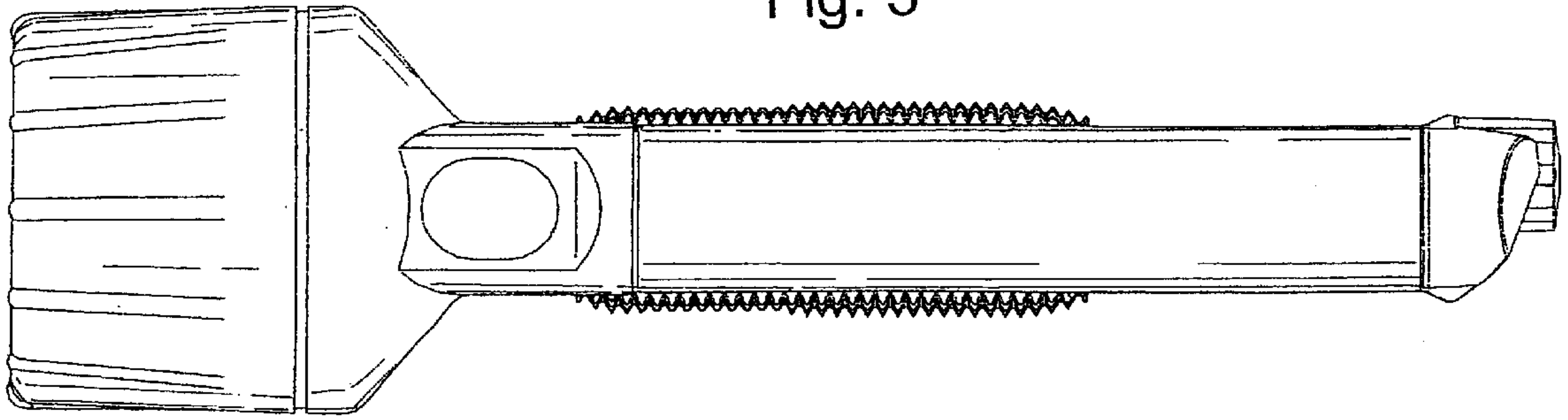


Fig. 4

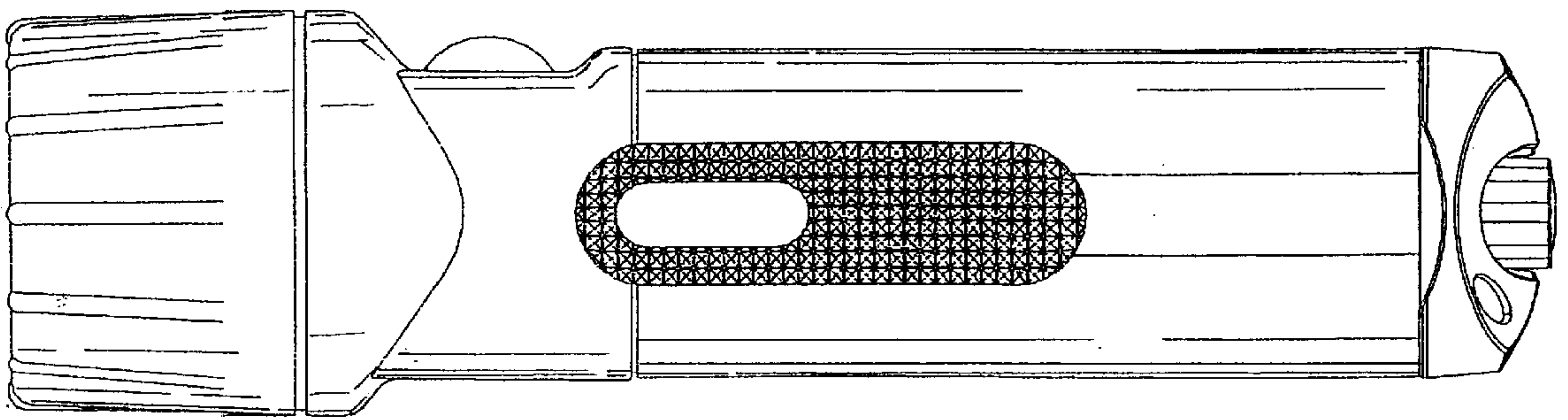
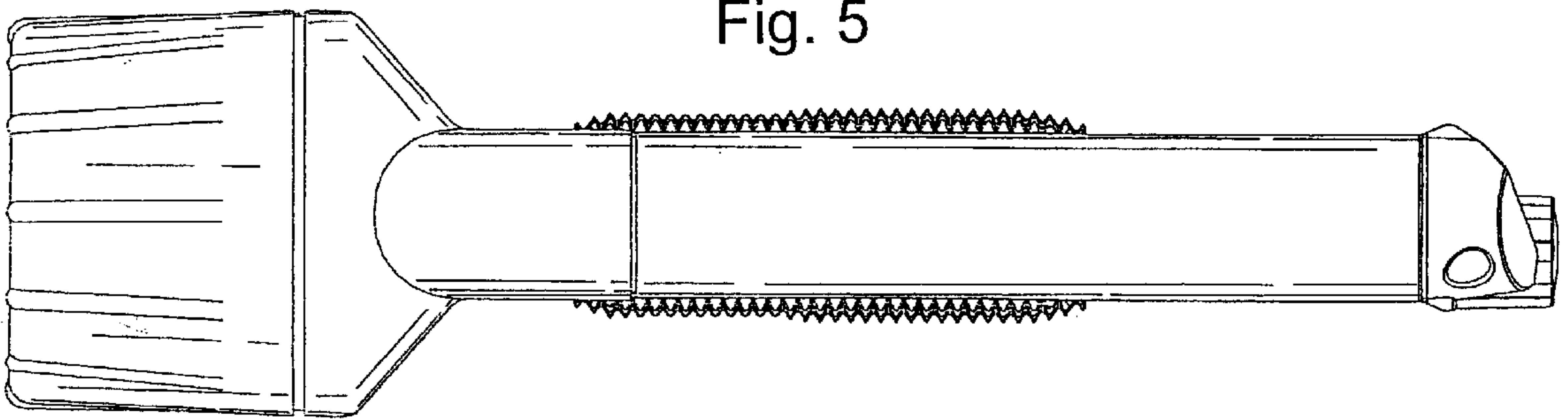


Fig. 5



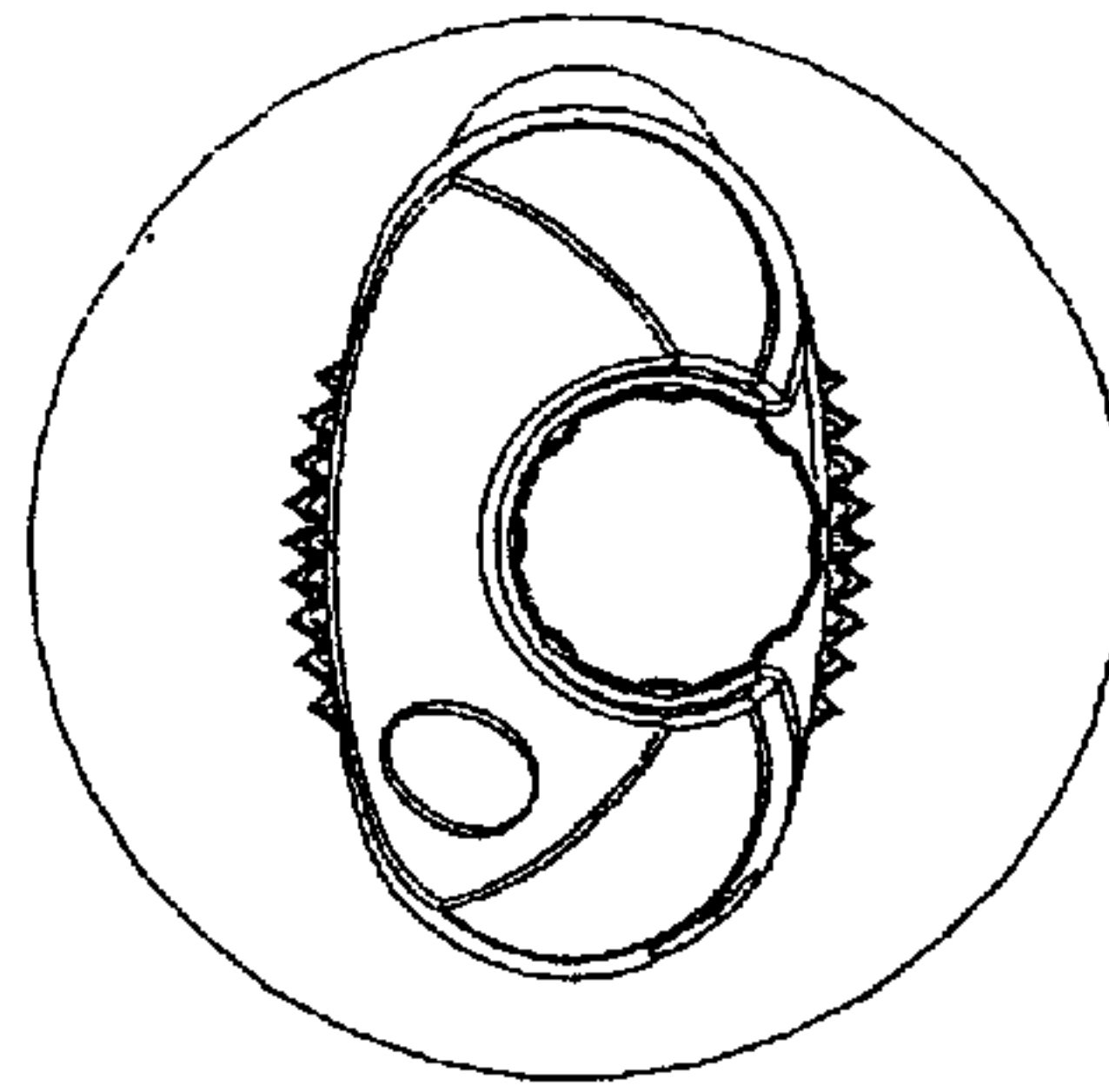


Fig. 6

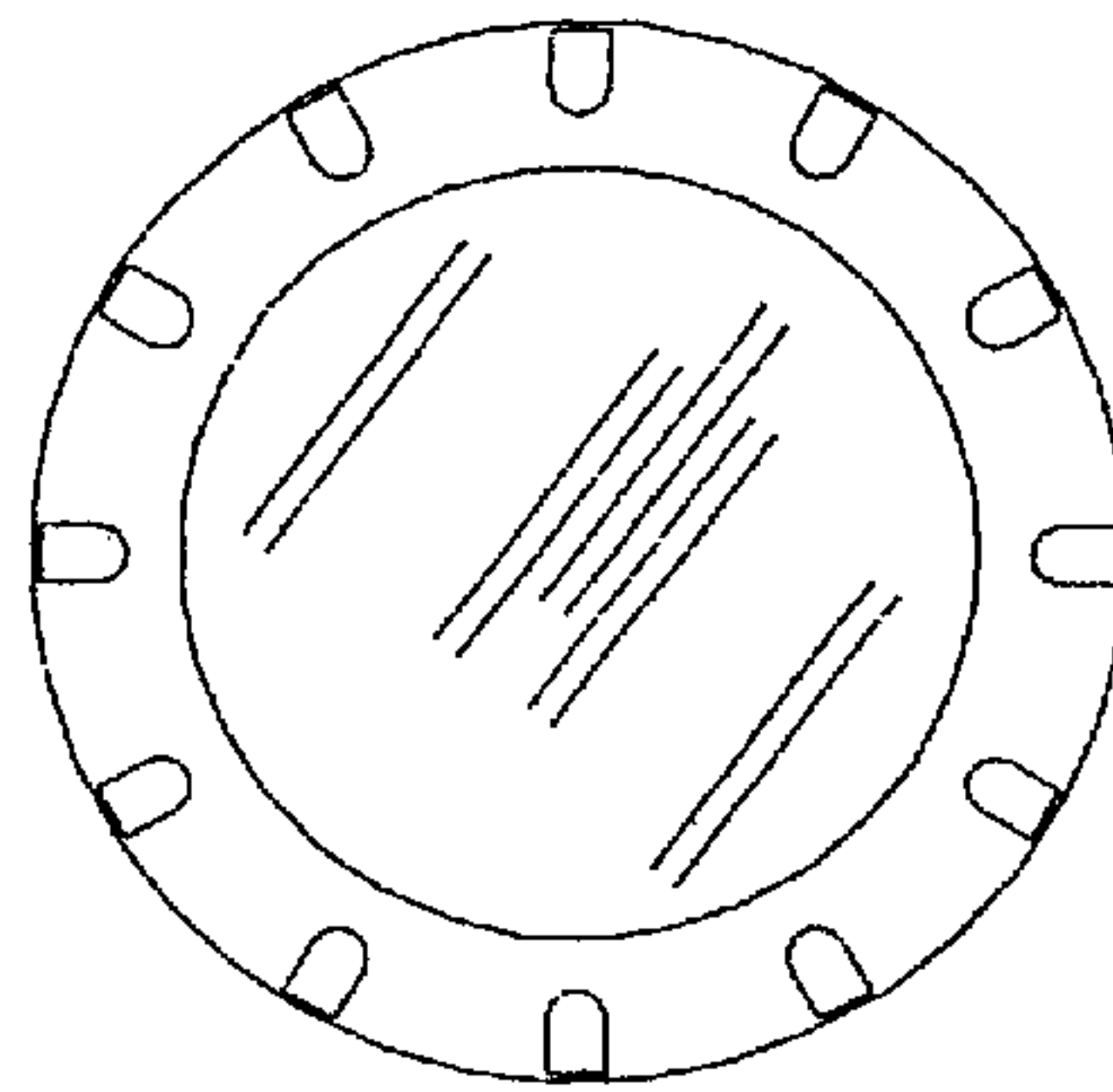


Fig. 7

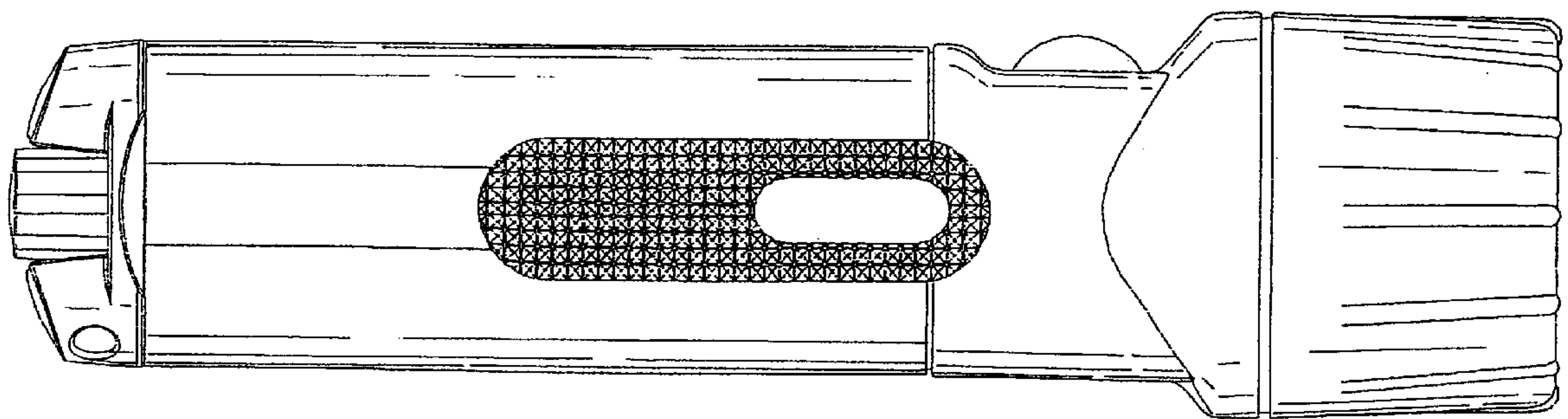


Fig. 8