



US00D445932S

(12) **United States Design Patent**
Ceder

(10) **Patent No.:** **US D445,932 S**

(45) **Date of Patent:** **** Jul. 31, 2001**

(54) **PORTABLE ELECTRIC LAMP**

(57) **CLAIM**

(76) Inventor: **Kenneth Paul Ceder**, 622 W. Arrellaga St., Santa Barbara, CA (US) 93101

The ornamental design for a portable electric lamp, as shown and described.

(**) Term: **14 Years**

DESCRIPTION

(21) Appl. No.: **29/132,200**

FIG. 1 is a perspective view of the preferred embodiment of a portable electric lamp in accordance with my invention; FIG. 2 is a front elevational view of the portable electric lamp;

(22) Filed: **Nov. 3, 2000**

FIG. 3 is a right side elevational view, left side identical, of the portable electric lamp;

(51) **LOC (7) Cl.** **26-02**

(52) **U.S. Cl.** **D26/42**

(58) **Field of Search** D26/37-50; 362/157, 362/158, 171, 173, 175, 183-208

FIG. 4 is a rear side elevational view of the portable electric lamp;

(56) **References Cited**

U.S. PATENT DOCUMENTS

D. 329,504 * 9/1992 Yuen D26/42

D. 416,101 * 11/1999 Yuen D26/42

D. 437,951 * 2/2001 Yuen D26/42

FIG. 5 is a top plan view of the portable electric lamp;

FIG. 6 is a bottom end plan view of the portable electric lamp;

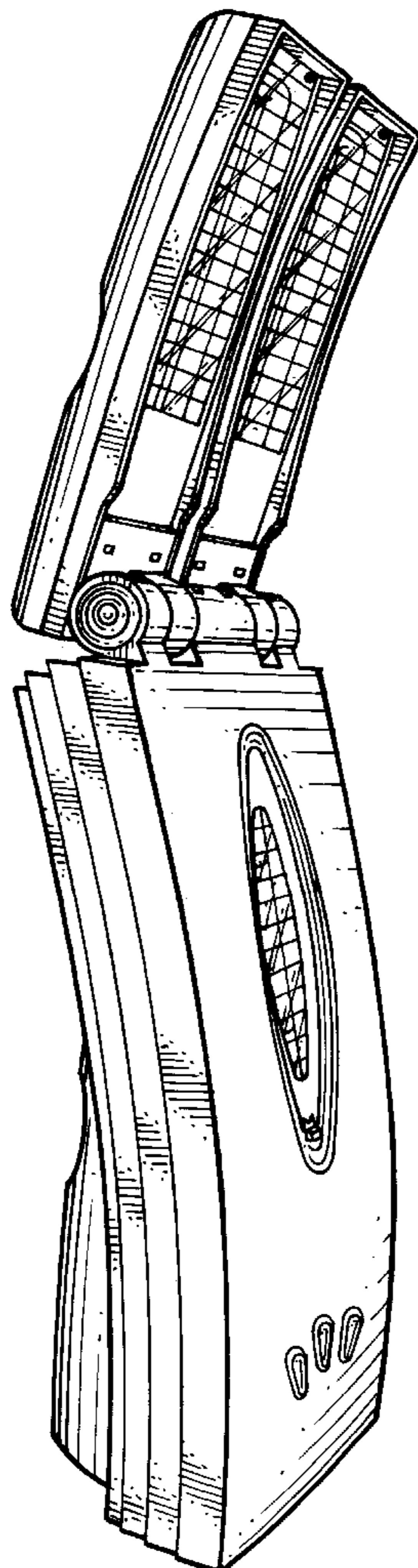
FIG. 7 is a perspective view of the portable electric lamp of FIG. 1 with movable parts in a different position; and,

FIG. 8 is a perspective view of the portable electric lamp of FIG. 1 with movable parts in still a different position.

* cited by examiner

Primary Examiner—Marcus A. Jackson

1 Claim, 5 Drawing Sheets



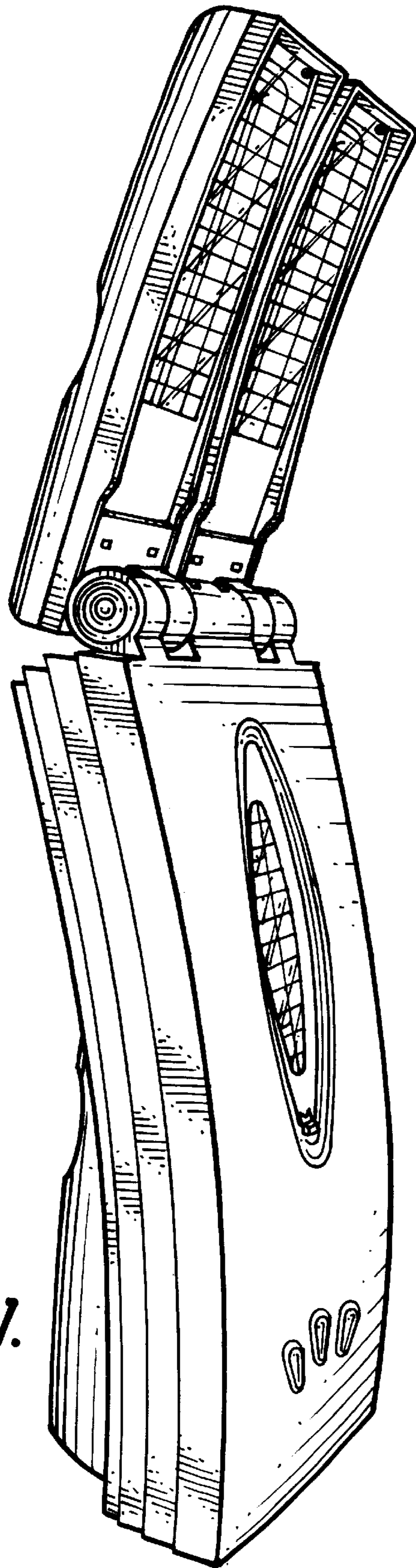


Fig. 1.

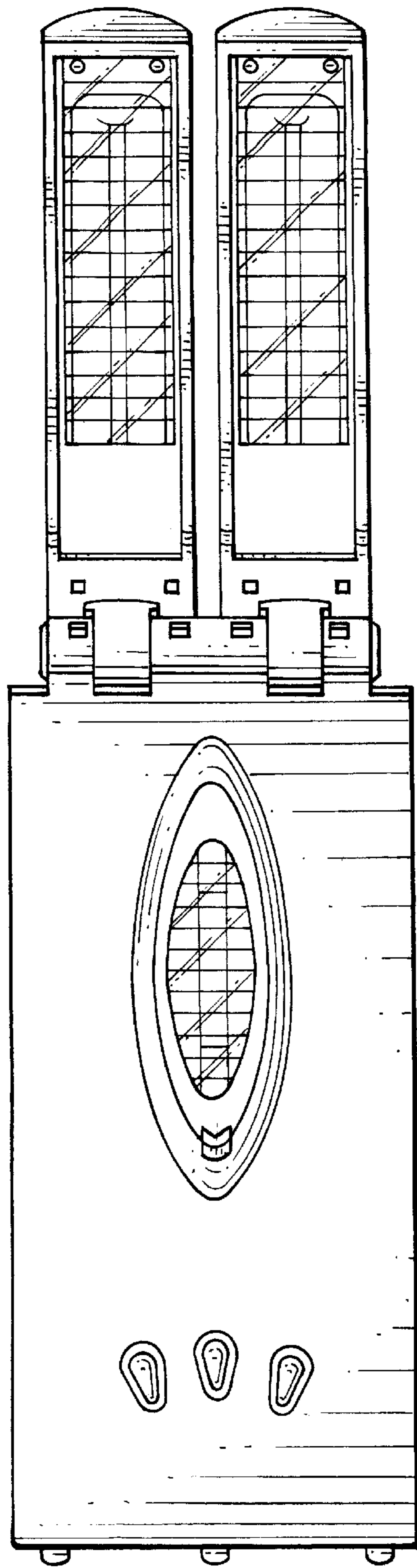


Fig. 2.

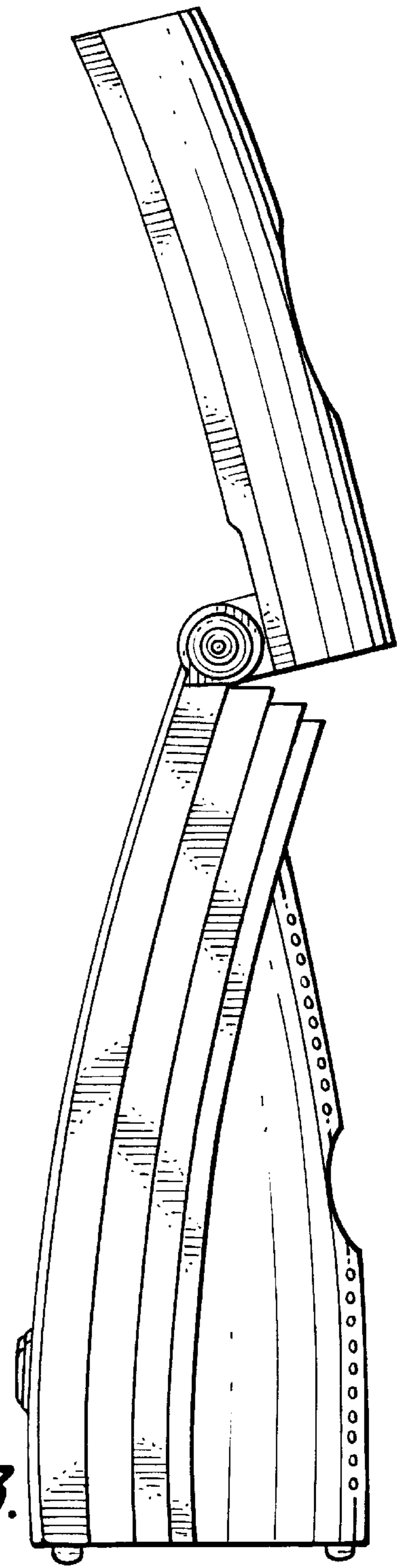


Fig. 3.

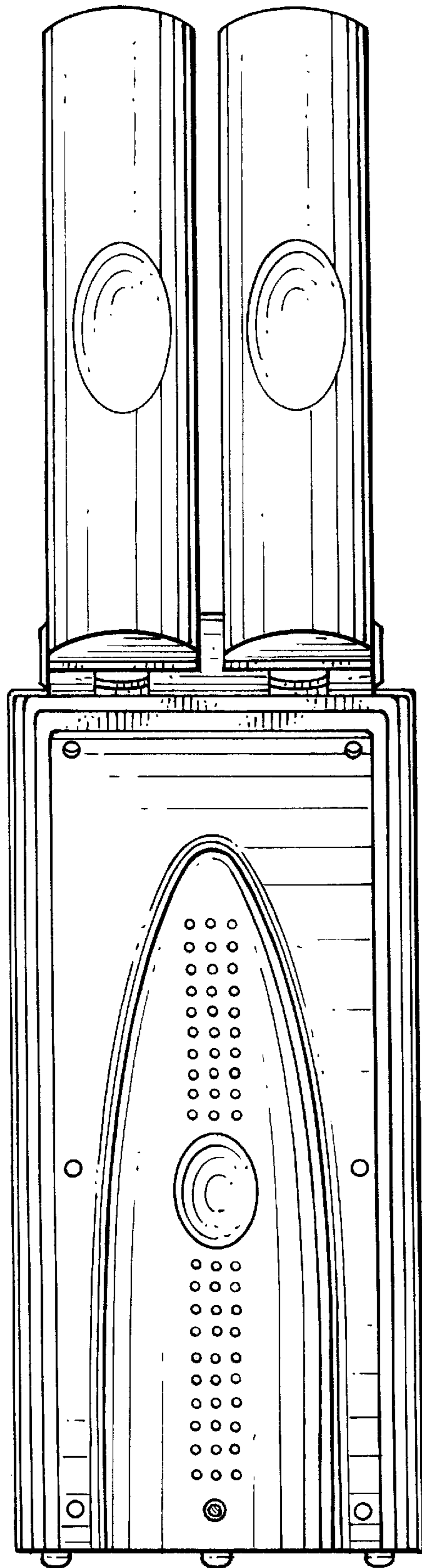


Fig. 4.

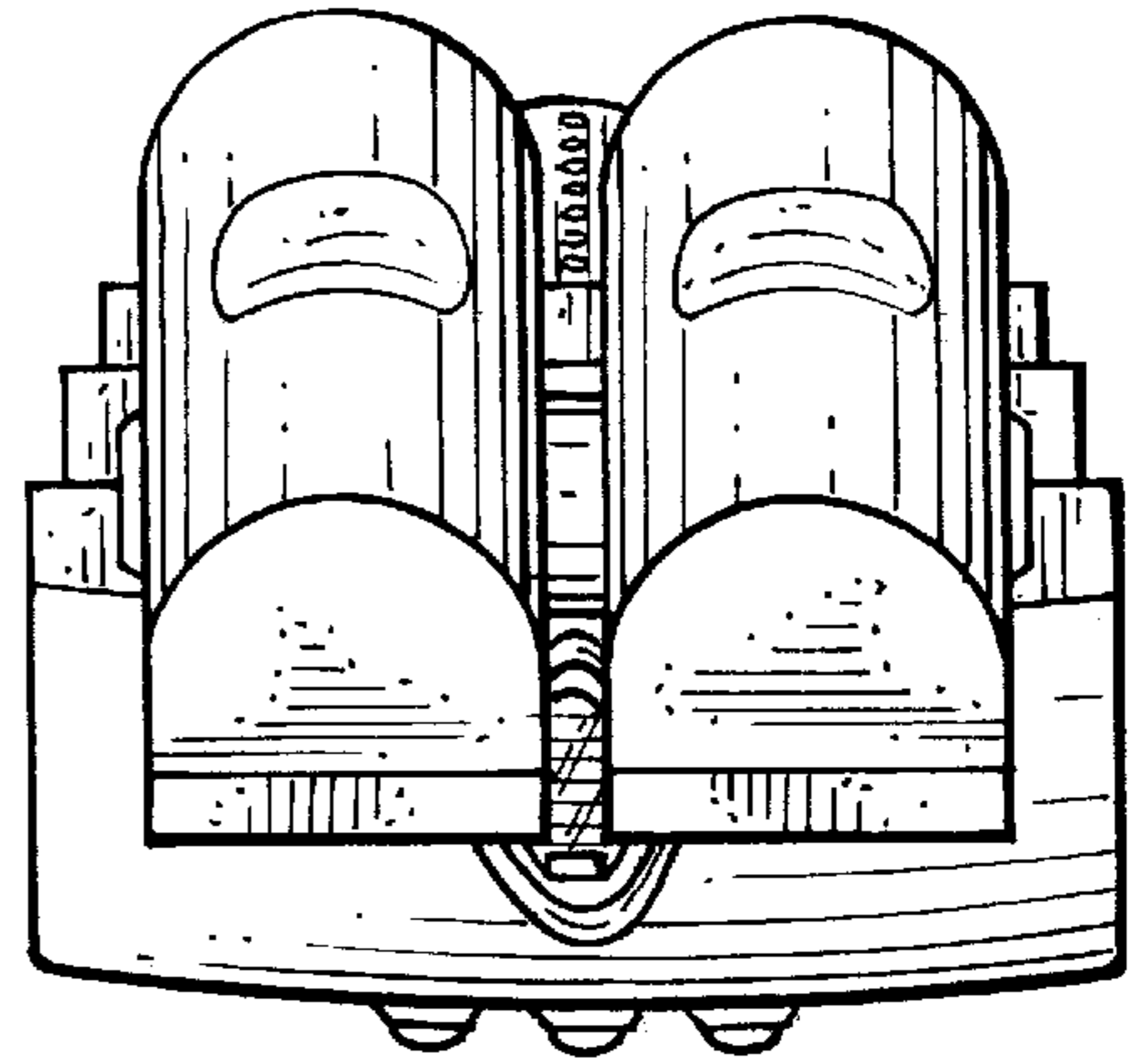


Fig. 5.

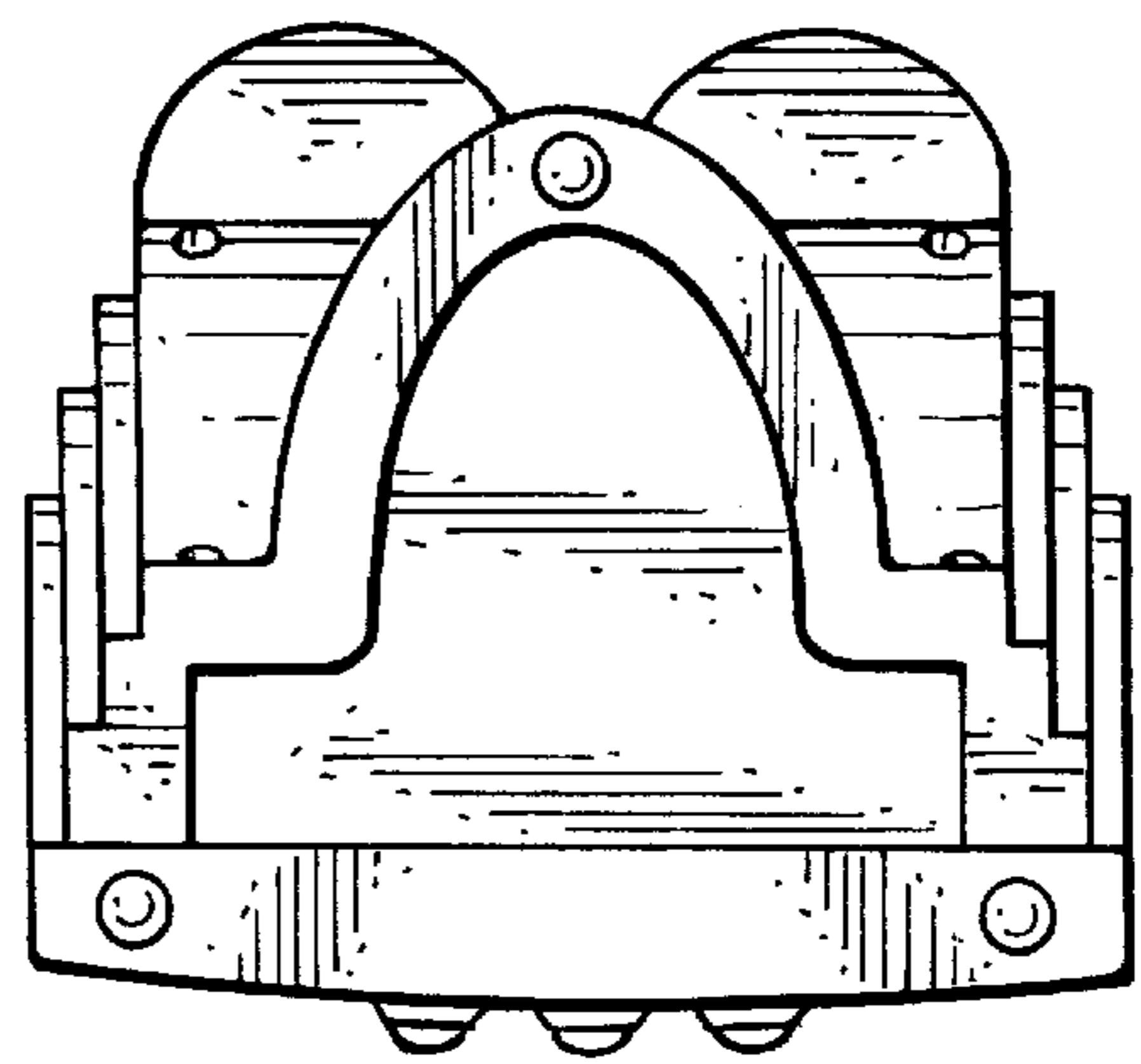


Fig. 6.

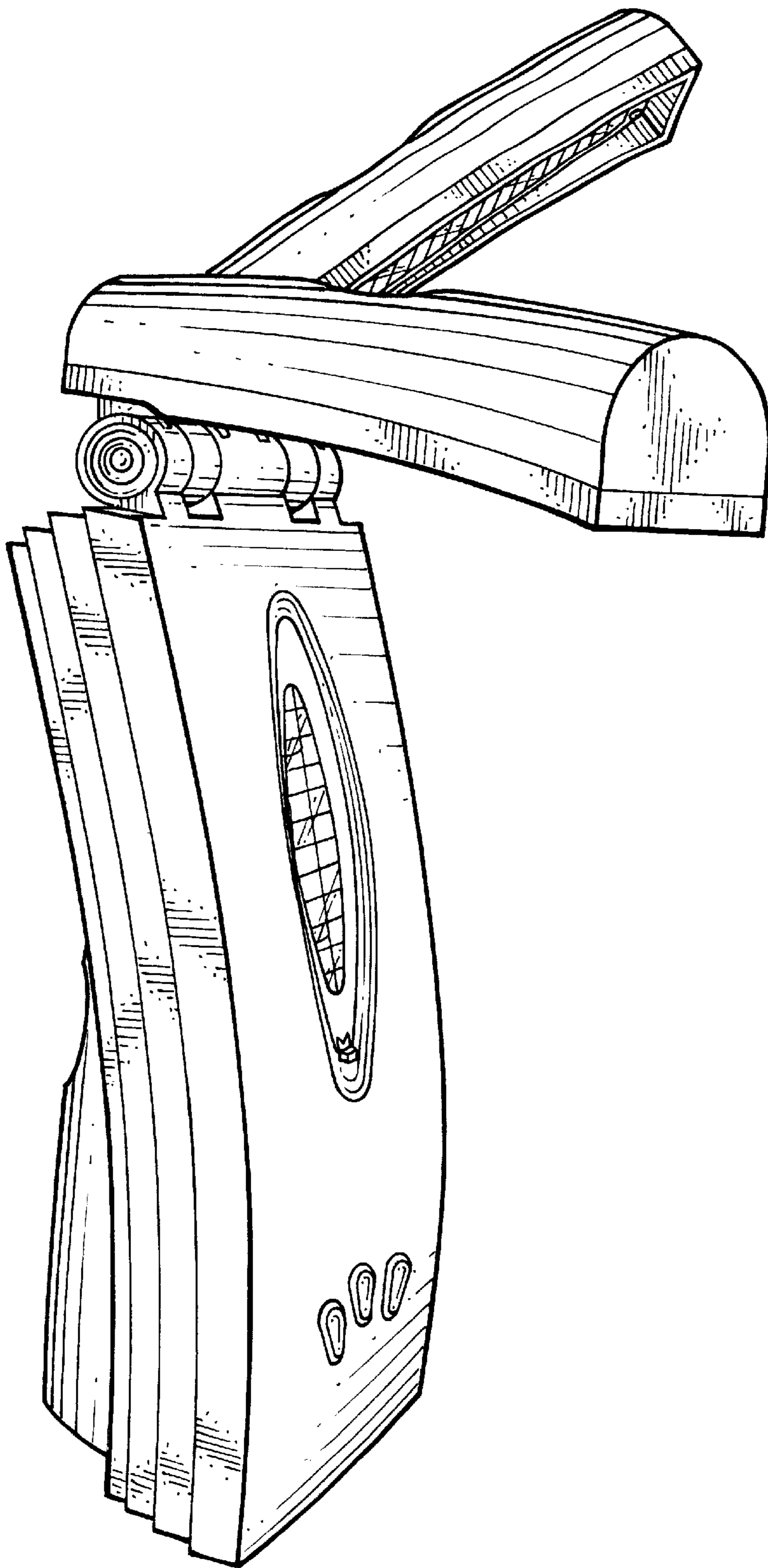


Fig. 7.

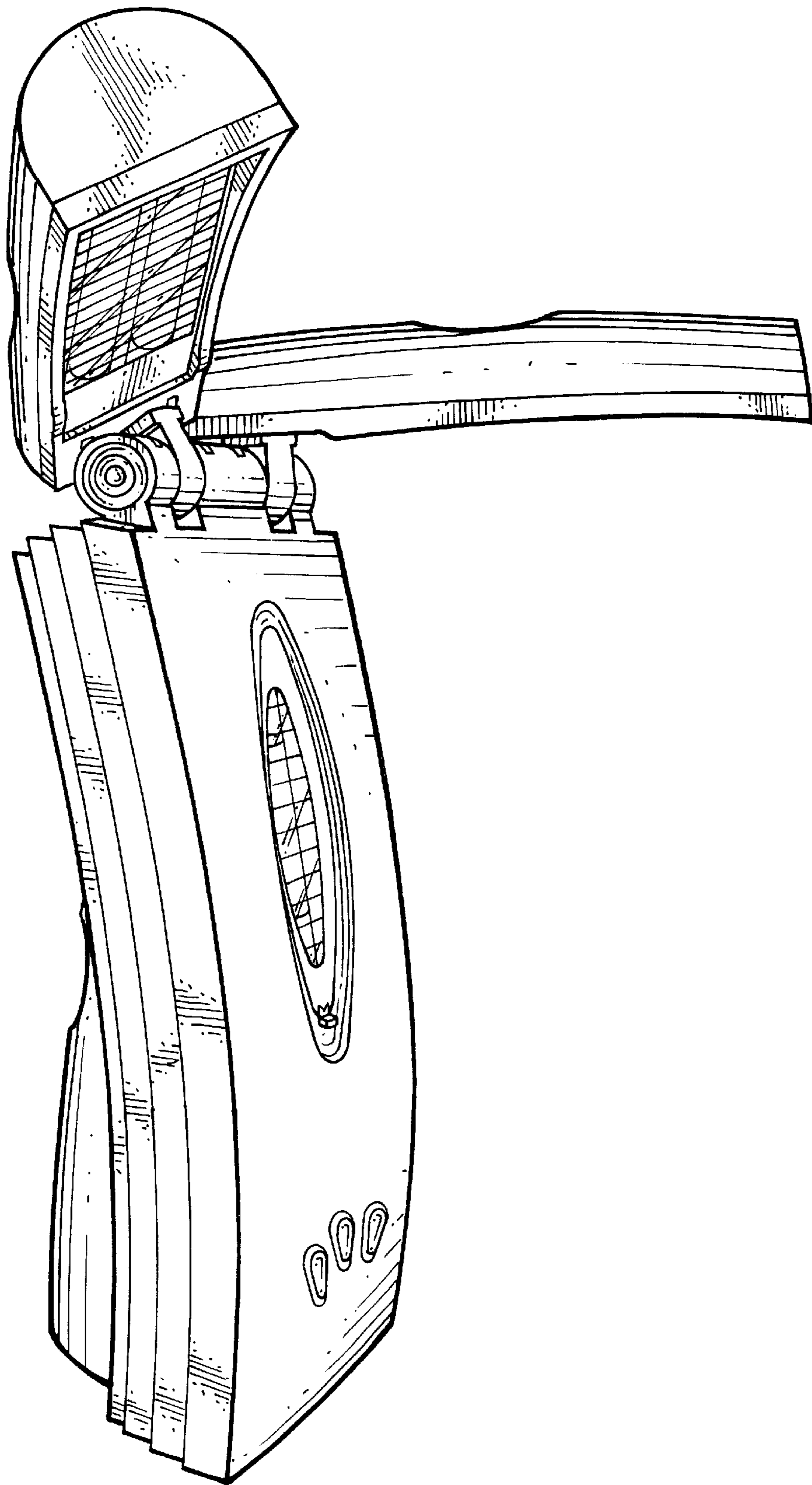


Fig. 8.