



US00D445931S

(12) **United States Design Patent**
Shiu

(10) **Patent No.:** **US D445,931 S**

(45) **Date of Patent:** **** Jul. 31, 2001**

(54) **HEADLIGHT**

(75) **Inventor:** **Stephanie Wai Man Shiu, Kowloon (HK)**

(73) **Assignee:** **Favour Light Enterprises Ltd., Kowloon (HK)**

(**) **Term:** **14 Years**

(21) **Appl. No.:** **29/134,680**

(22) **Filed:** **Dec. 28, 2000**

(51) **LOC (7) Cl.** **26-02**

(52) **U.S. Cl.** **D26/39**

(58) **Field of Search** **D26/37-50; 362/103, 362/105, 157, 158, 183-208**

(56) **References Cited**

U.S. PATENT DOCUMENTS

D. 46,905	*	2/1915	Hansen	D26/39
D. 394,720	*	5/1998	Yuen	D26/39
D. 405,202	*	2/1999	Fattori et al.	D26/39

* cited by examiner

Primary Examiner—Marcus A. Jackson
(74) *Attorney, Agent, or Firm*—Larson & Taylor PLC

(57) **CLAIM**

The ornamental design of a headlight, as shown and described.

DESCRIPTION

FIG. 1 is a front view of a headlight according to the present invention.

FIG. 2 is a right side view of the headlight depicted in FIG. 1.

FIG. 3 is a bottom view of the headlight depicted in FIG. 1.

FIG. 4 is rear view of the headlight depicted in FIG. 1.

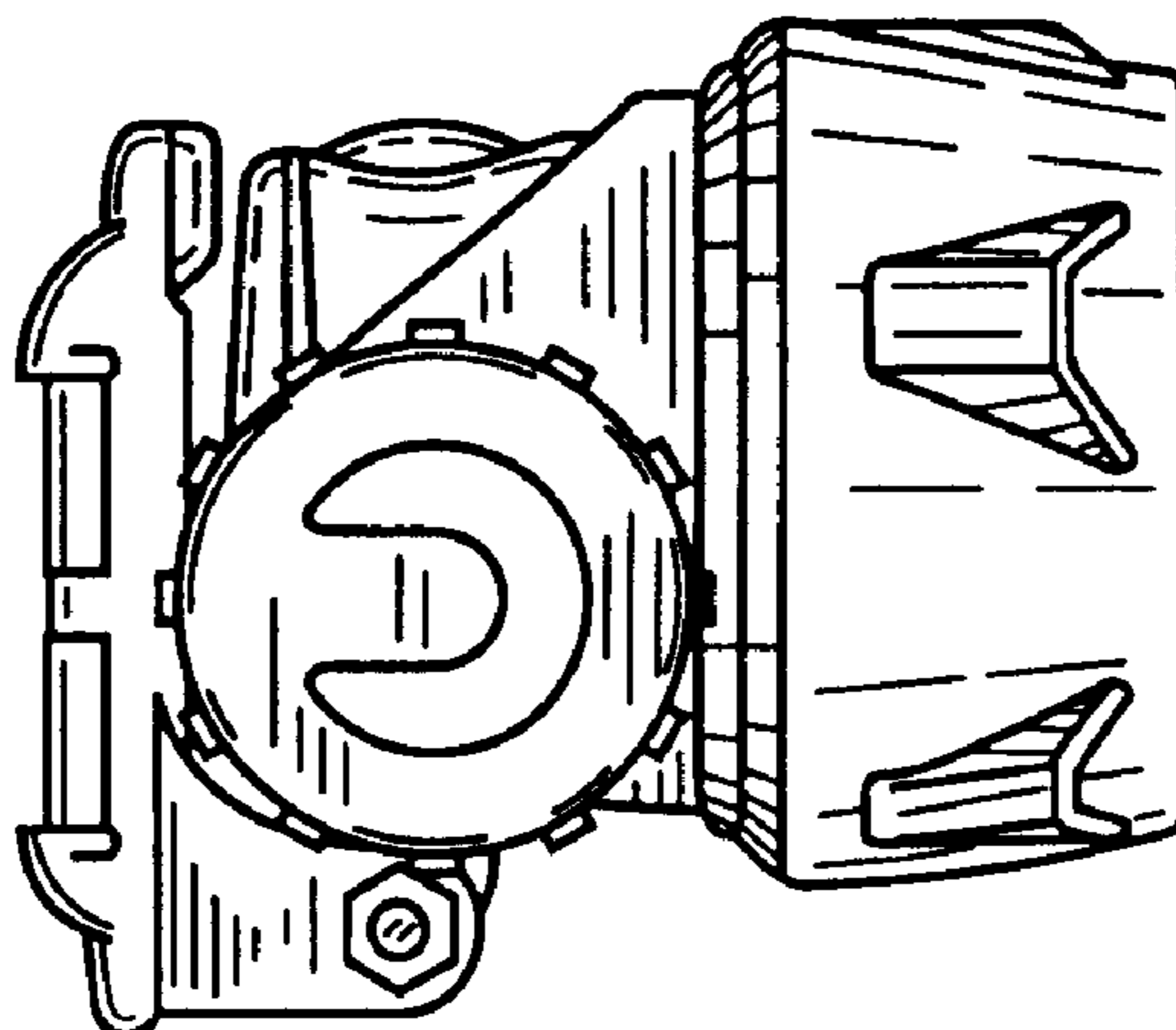
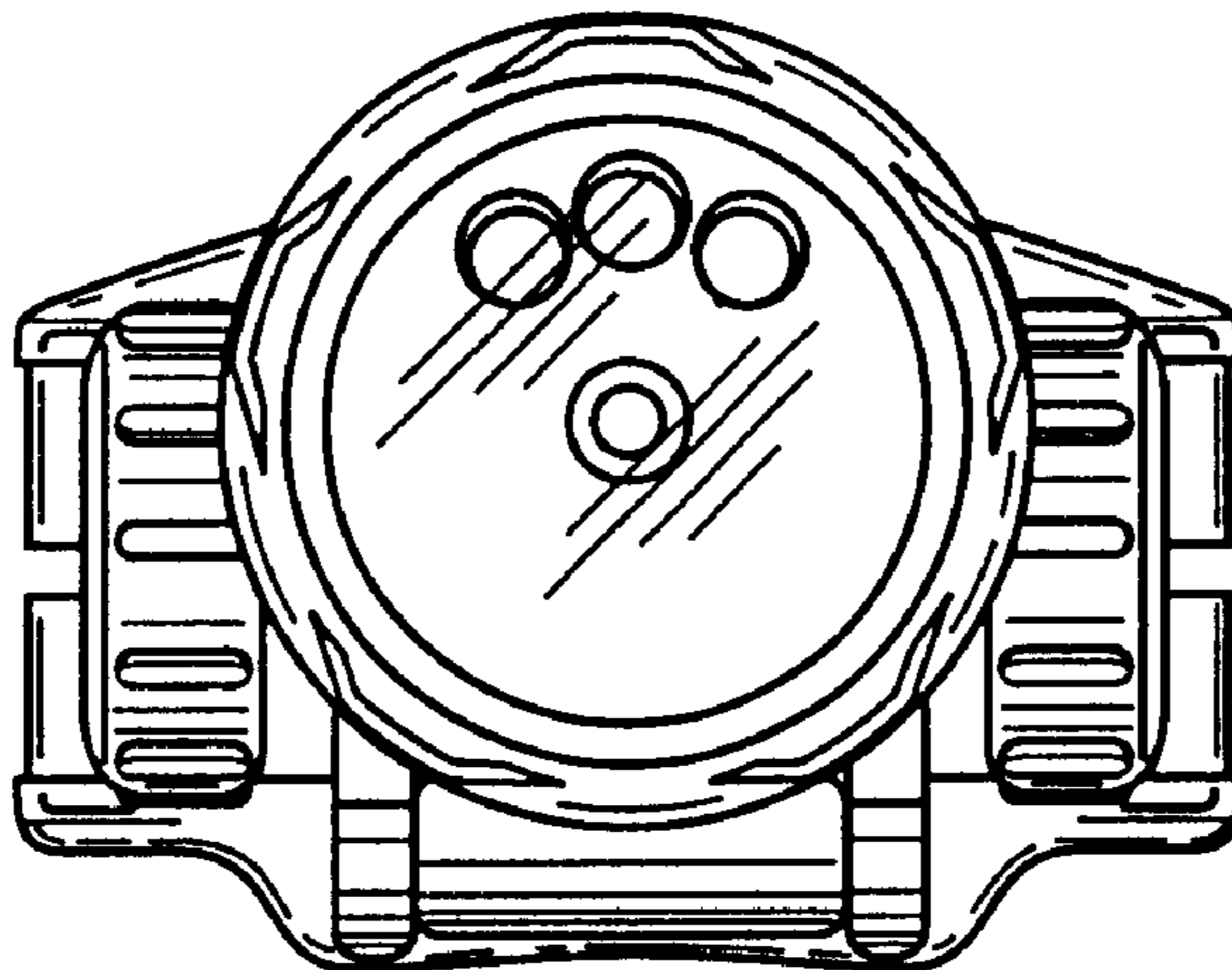
FIG. 5 is a top view of the headlight depicted in FIG. 1.

FIG. 6 is a left side view of the headlight depicted in FIG. 1.

FIG. 7 is a right side view of the headlight depicted in FIG. 1, with the broken line headband being shown for illustrative purposes only and forming no part of the claimed design; and,

FIG. 8 is a top view of the headlight depicted in FIG. 1, with the broken line headband being shown for illustrative purposes only and forming no part of the claimed design.

1 Claim, 3 Drawing Sheets



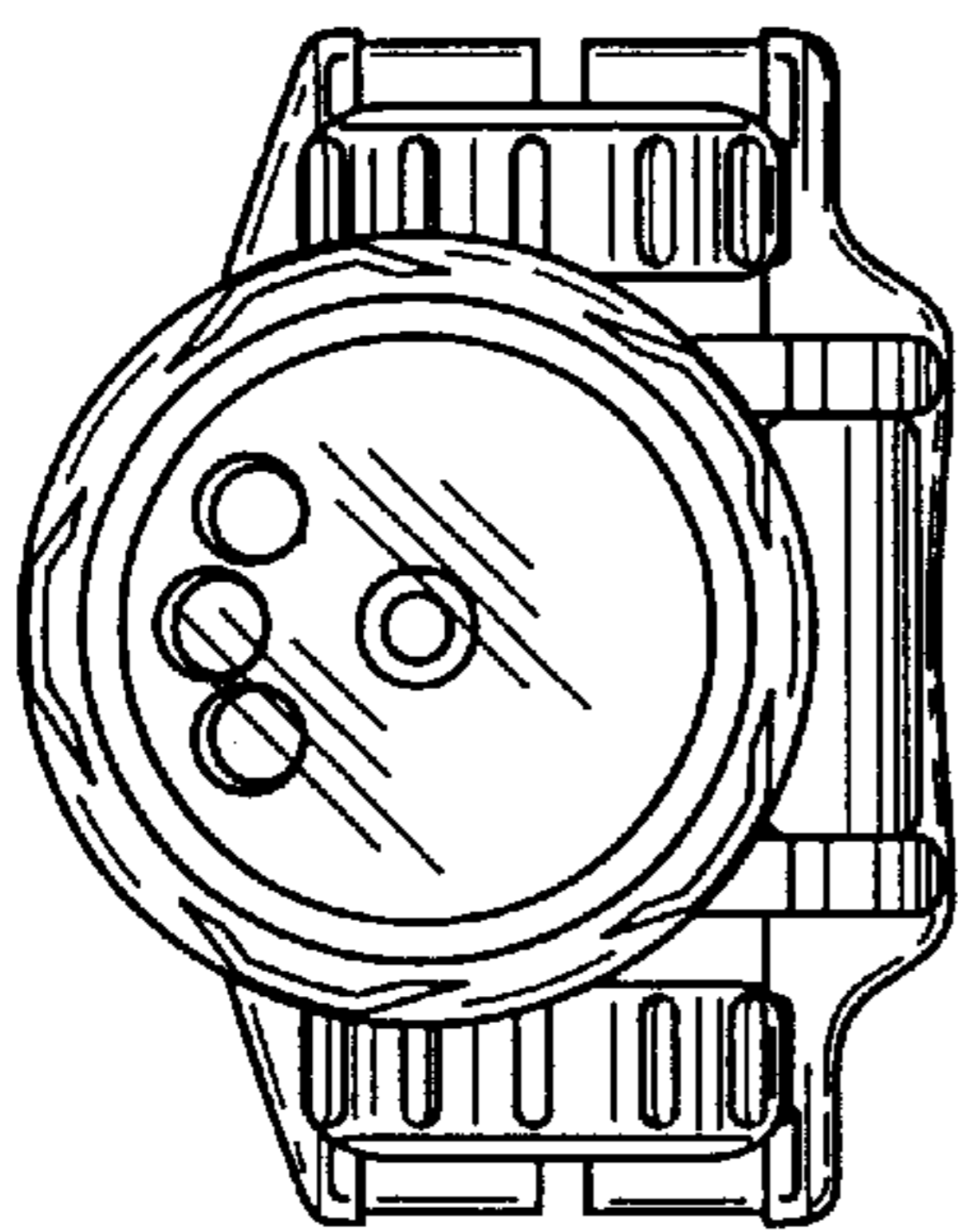


FIG. 1

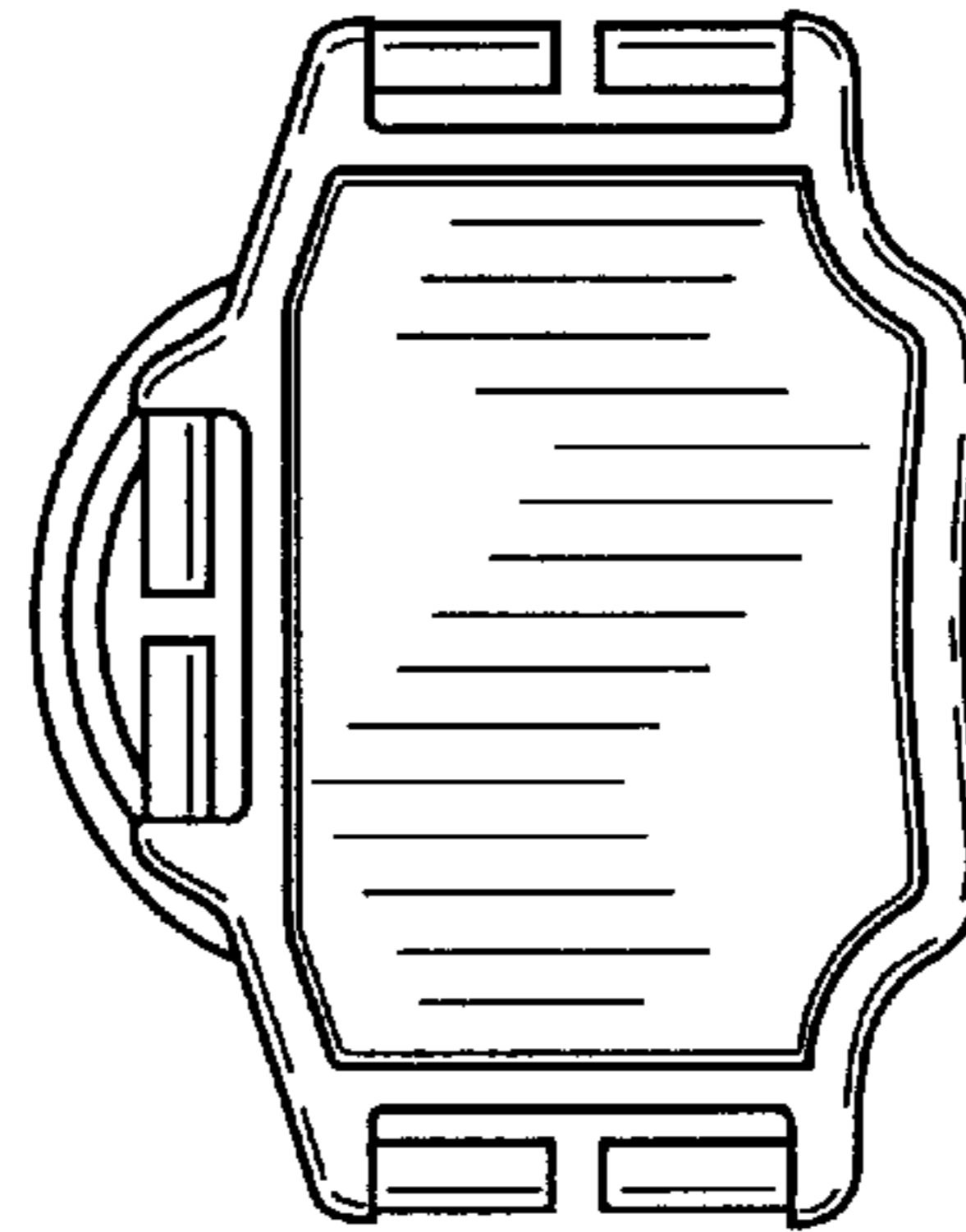


FIG. 4

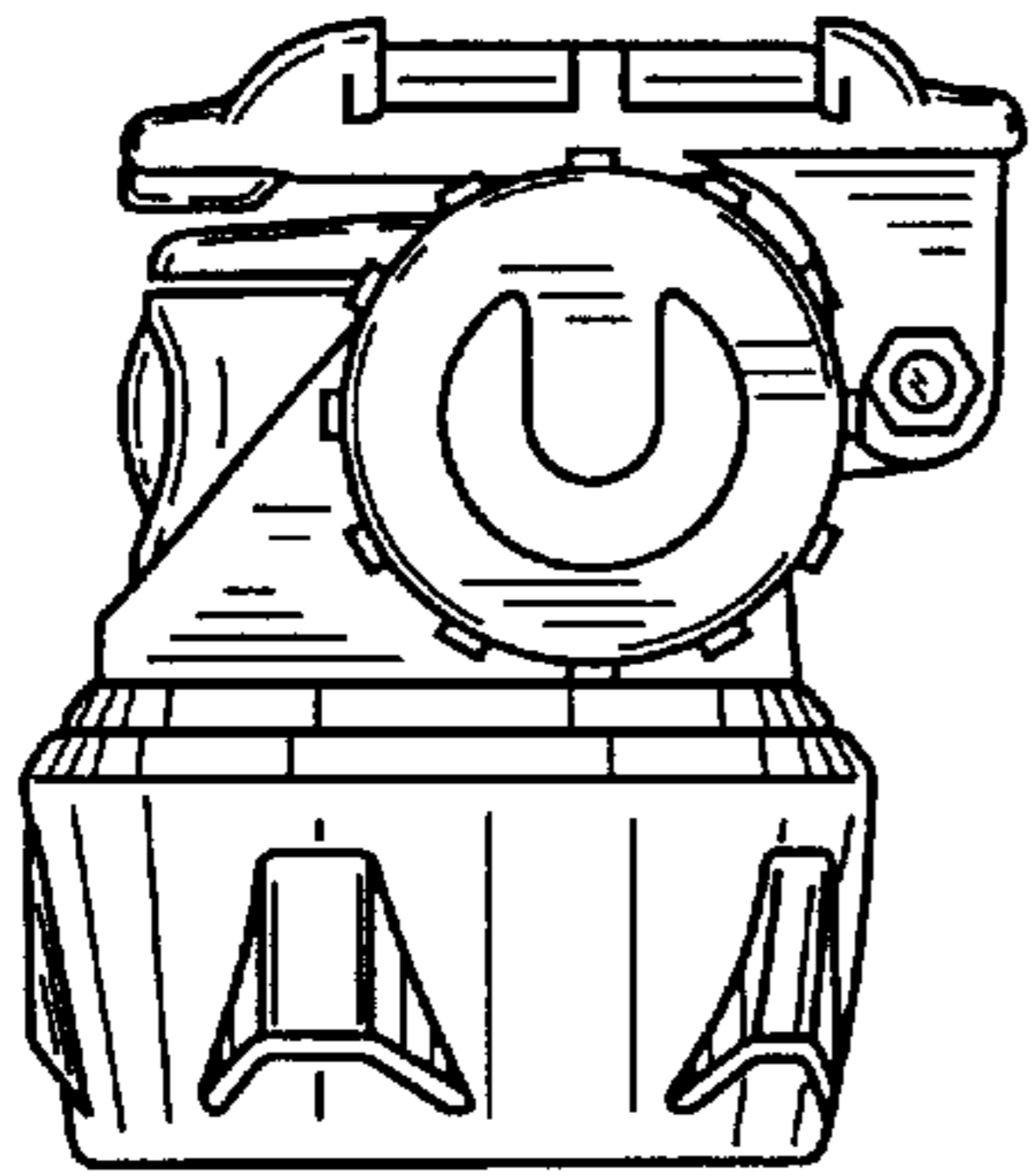


FIG. 2

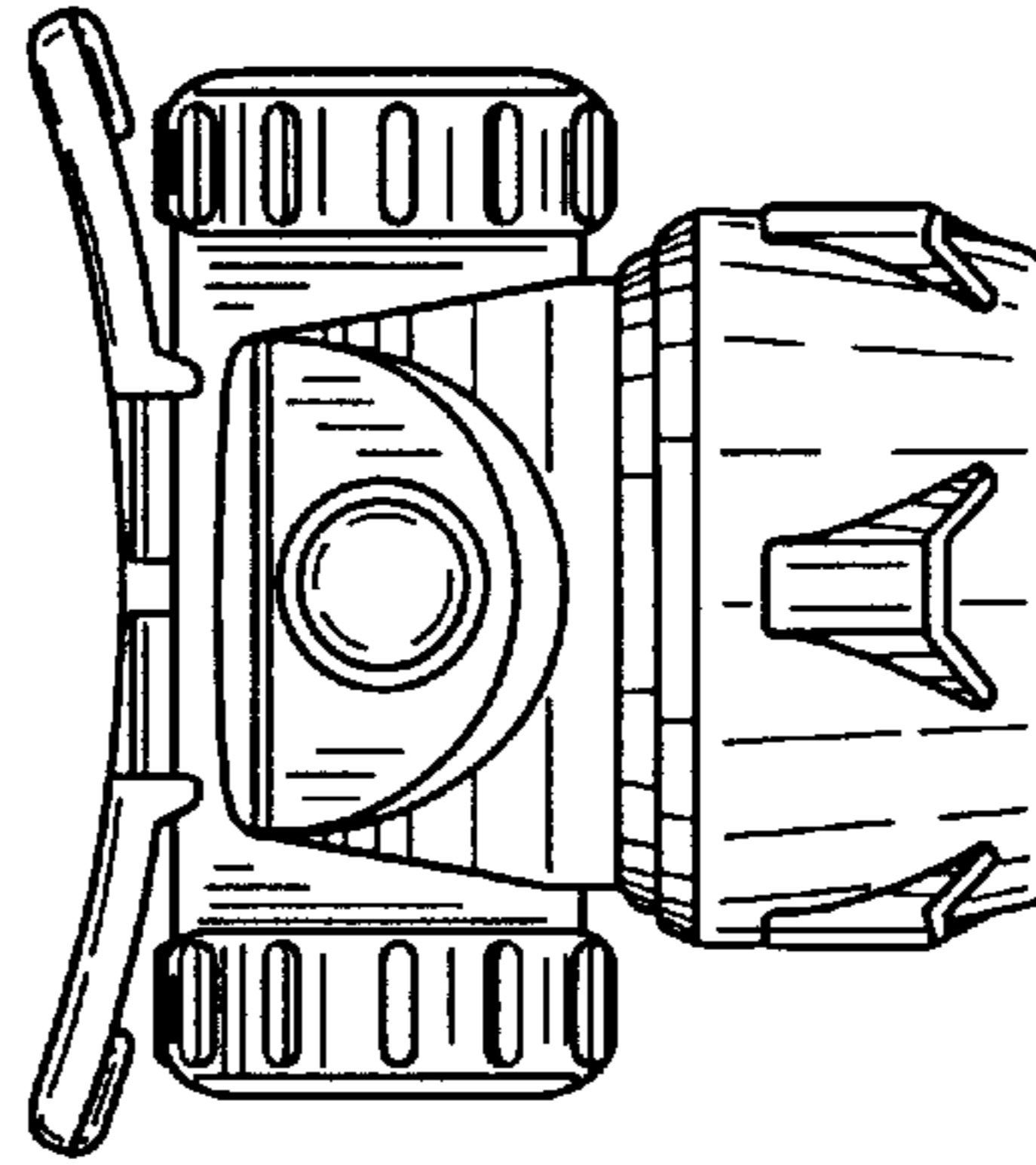


FIG. 5

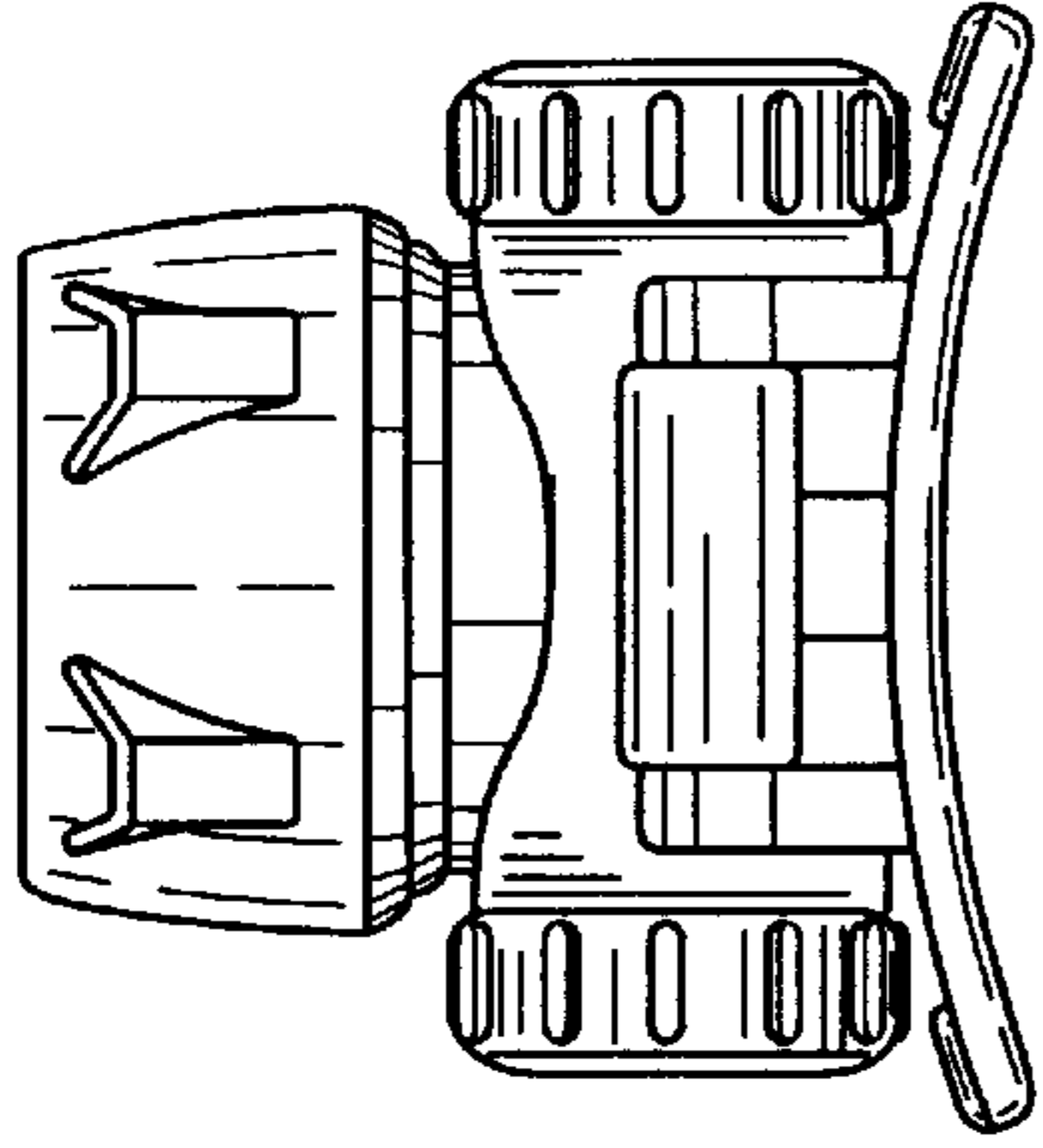


FIG. 3

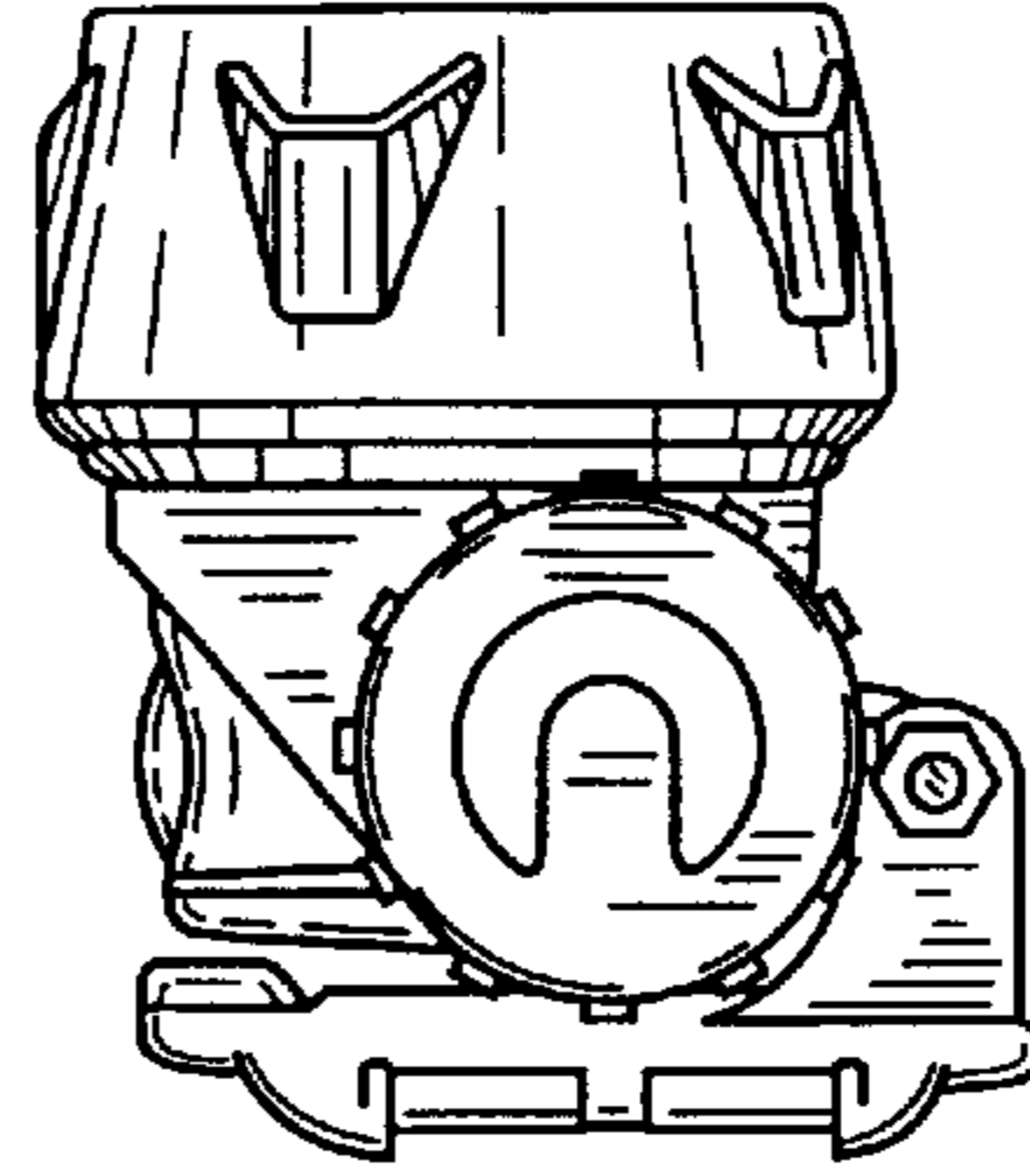


FIG. 6

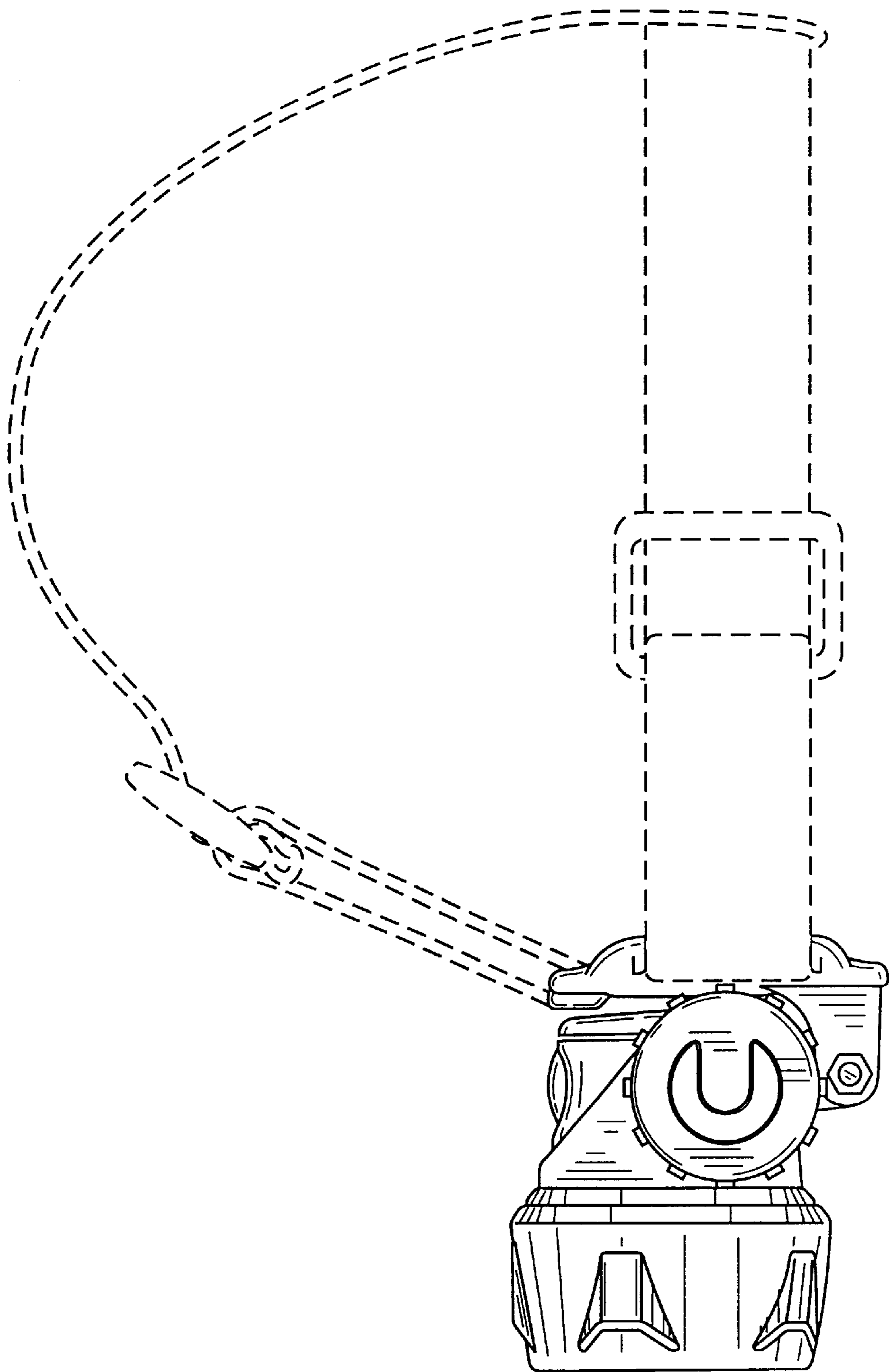


FIG. 7

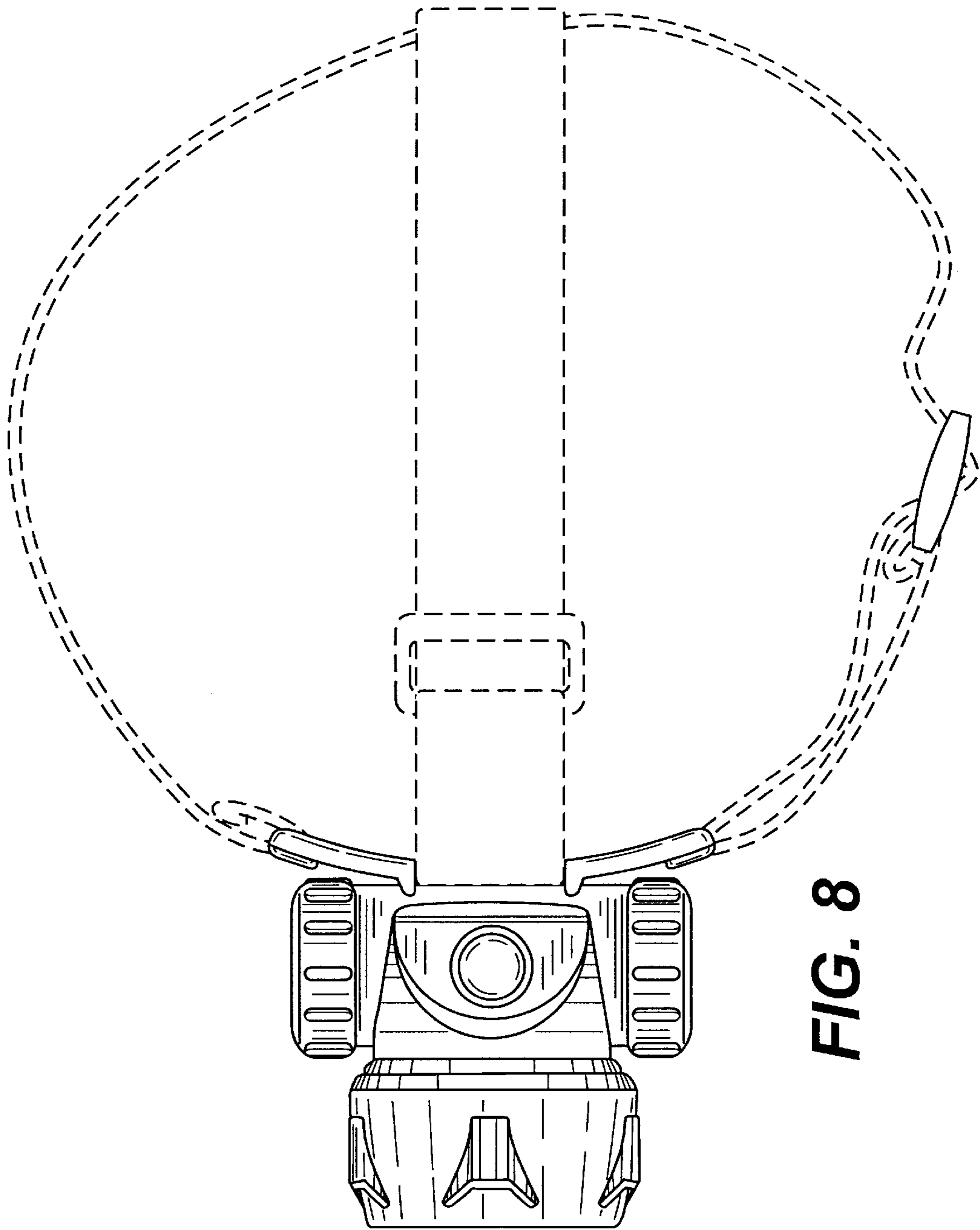


FIG. 8