



US00D445930S

(12) **United States Design Patent**  
**Se Kit**

(10) **Patent No.:** **US D445,930 S**

(45) **Date of Patent:** **\*\* Jul. 31, 2001**

(54) **CAP LIGHT**

D. 392,403 \* 3/1998 Benensohn ..... D26/39

(75) **Inventor:** **John Yuen Se Kit, Kowloon (HK)**

\* cited by examiner

(73) **Assignee:** **John Manufacturing Limited, Kowloon (HK)**

*Primary Examiner*—Marcus A. Jackson

(74) *Attorney, Agent, or Firm*—Staas & Halsey LLP

(\*\*) **Term:** **14 Years**

(57) **CLAIM**

The ornamental design for a cap light, as shown and described.

(21) **Appl. No.:** **29/132,367**

(22) **Filed:** **Nov. 8, 2000**

**DESCRIPTION**

(51) **LOC (7) Cl.** ..... **26-02**

FIG. 1 is a front view of the cap light showing my design;

(52) **U.S. Cl.** ..... **D26/39**

FIG. 2 is a left side view thereof;

(58) **Field of Search** ..... D26/37-50; 362/157, 362/158, 171, 173, 183-208; D2/865, 868, 872, 873, 875

FIG. 3 is a right view thereof;

FIG. 4 is a rear view thereof;

FIG. 5 is a bottom view thereof; and

FIG. 6 is a top view thereof; and,

FIG. 7 is a perspective view of the cap light on a cap with the broken line showing for illustrative purposes only and forming no part of the claimed design.

(56) **References Cited**

**U.S. PATENT DOCUMENTS**

D. 387,184 \* 12/1997 Seidmeyer et al. .... D26/39

**1 Claim, 2 Drawing Sheets**

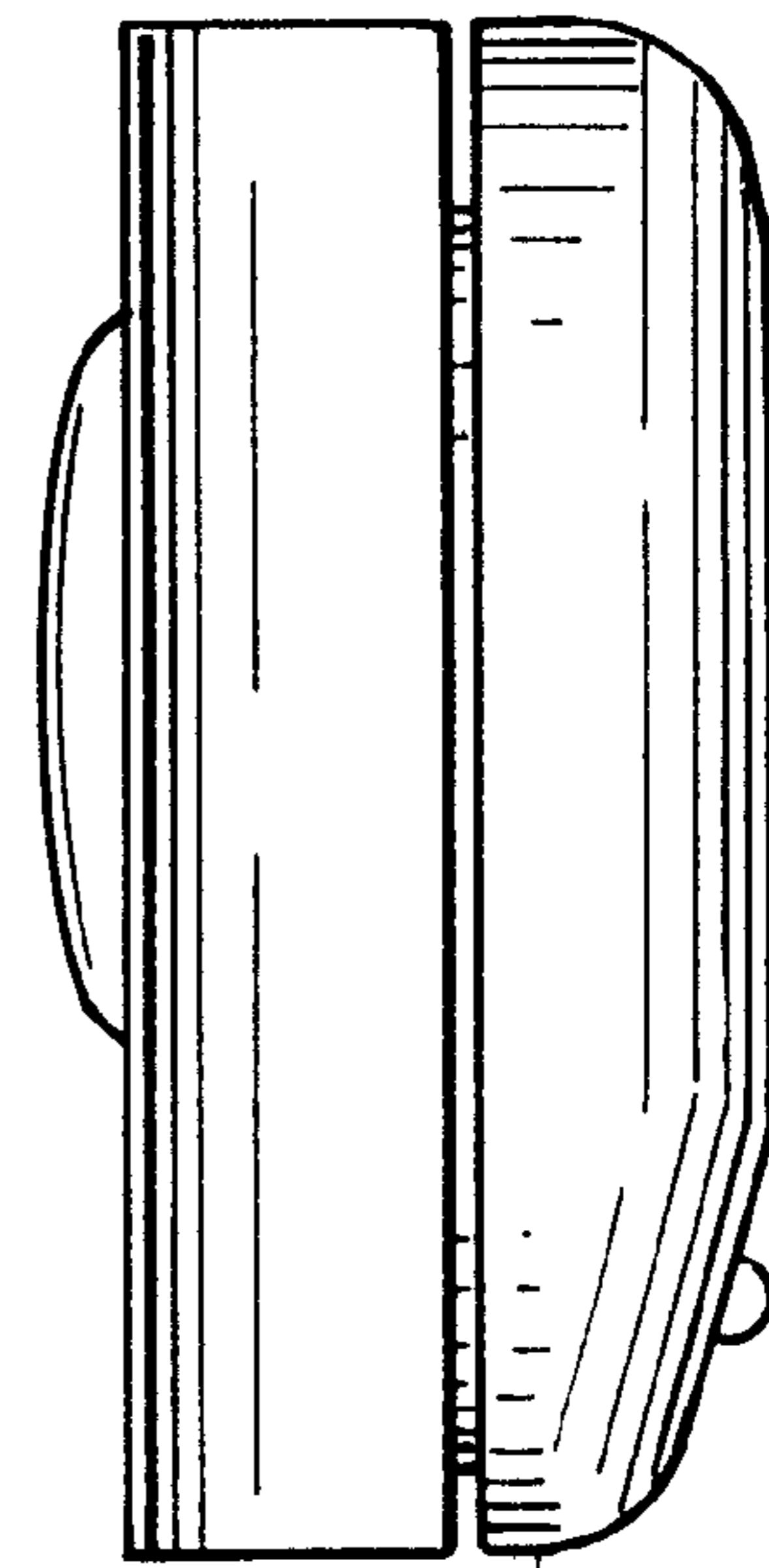
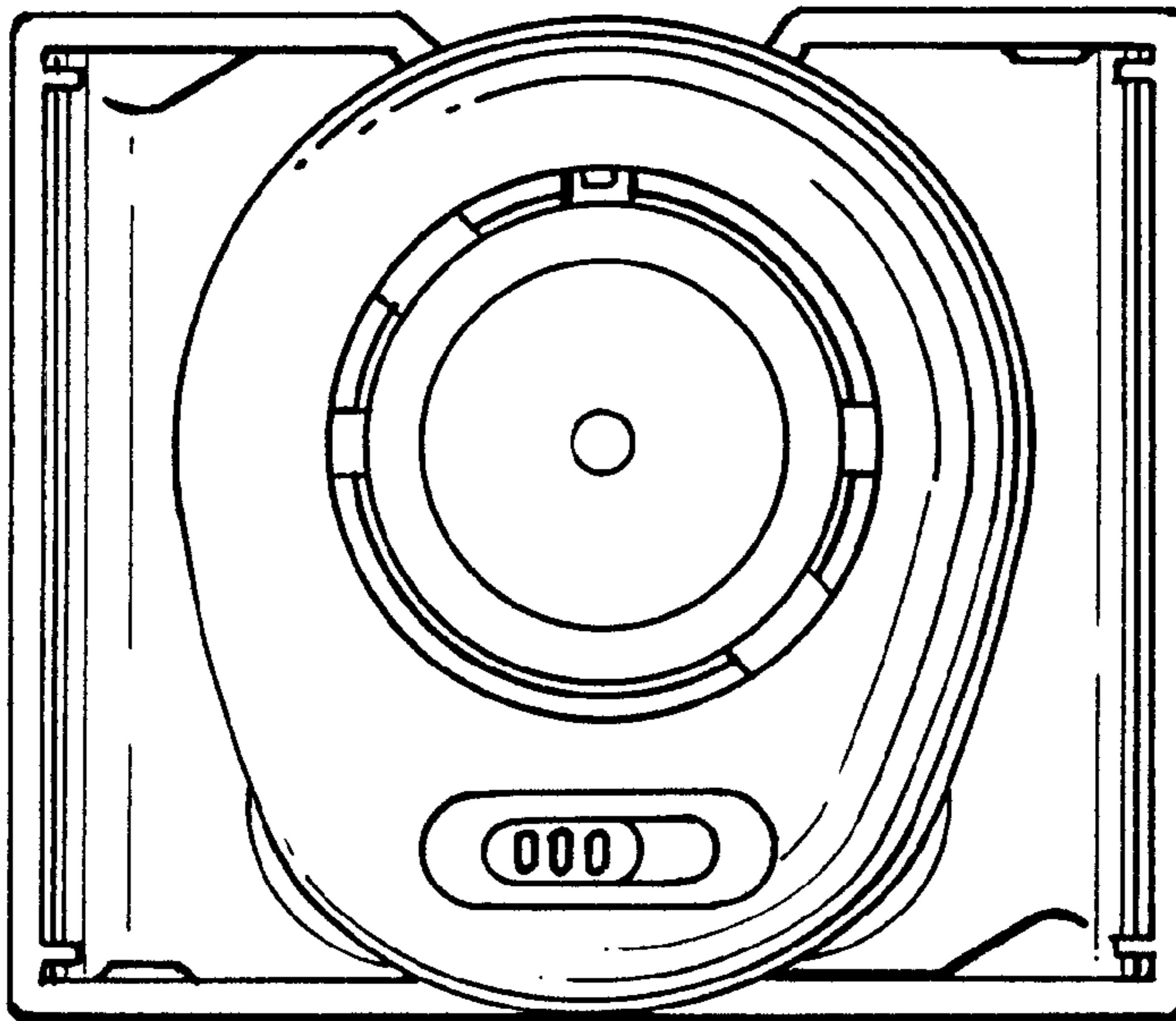


FIG. 2

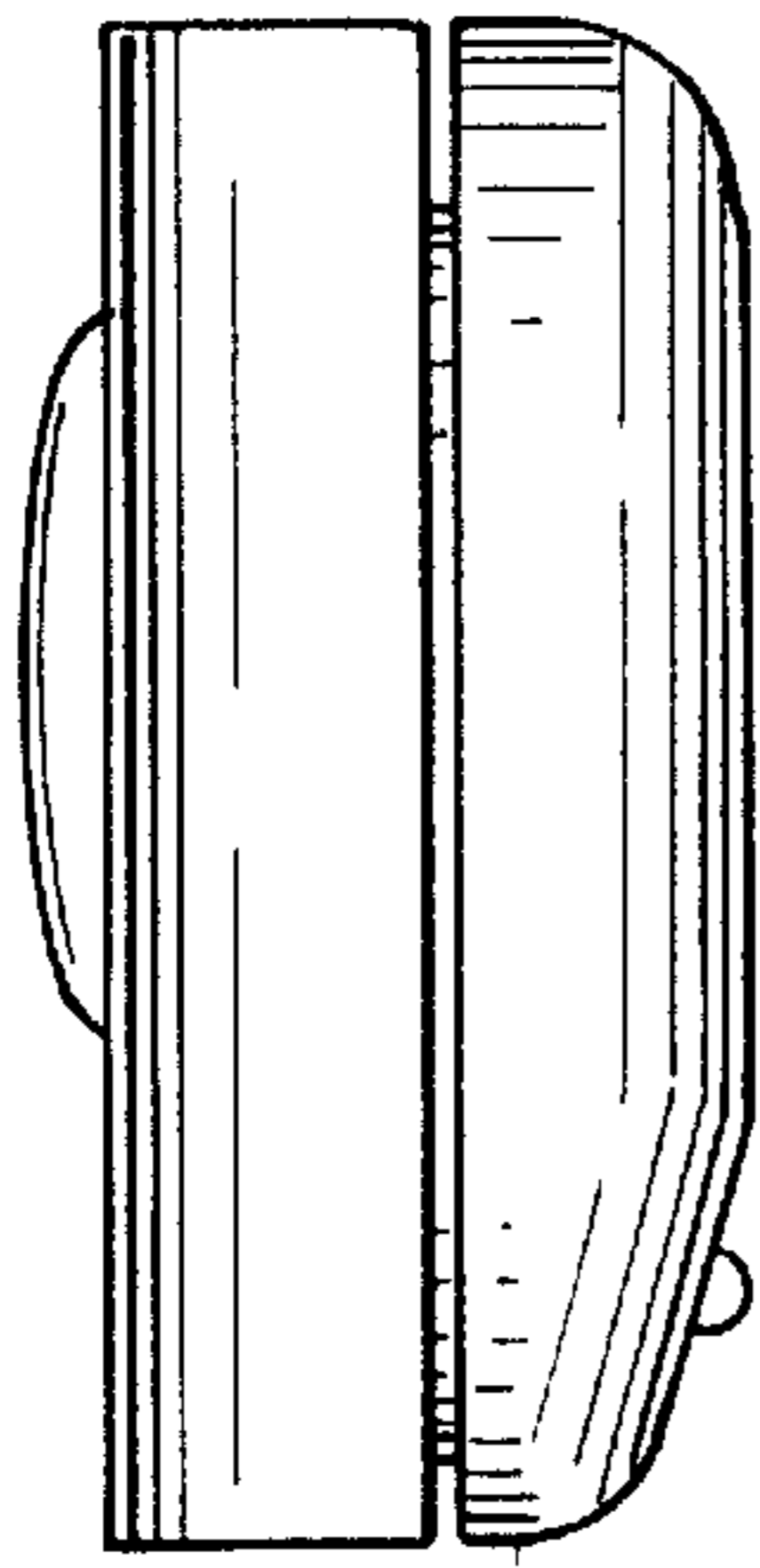


FIG. 1

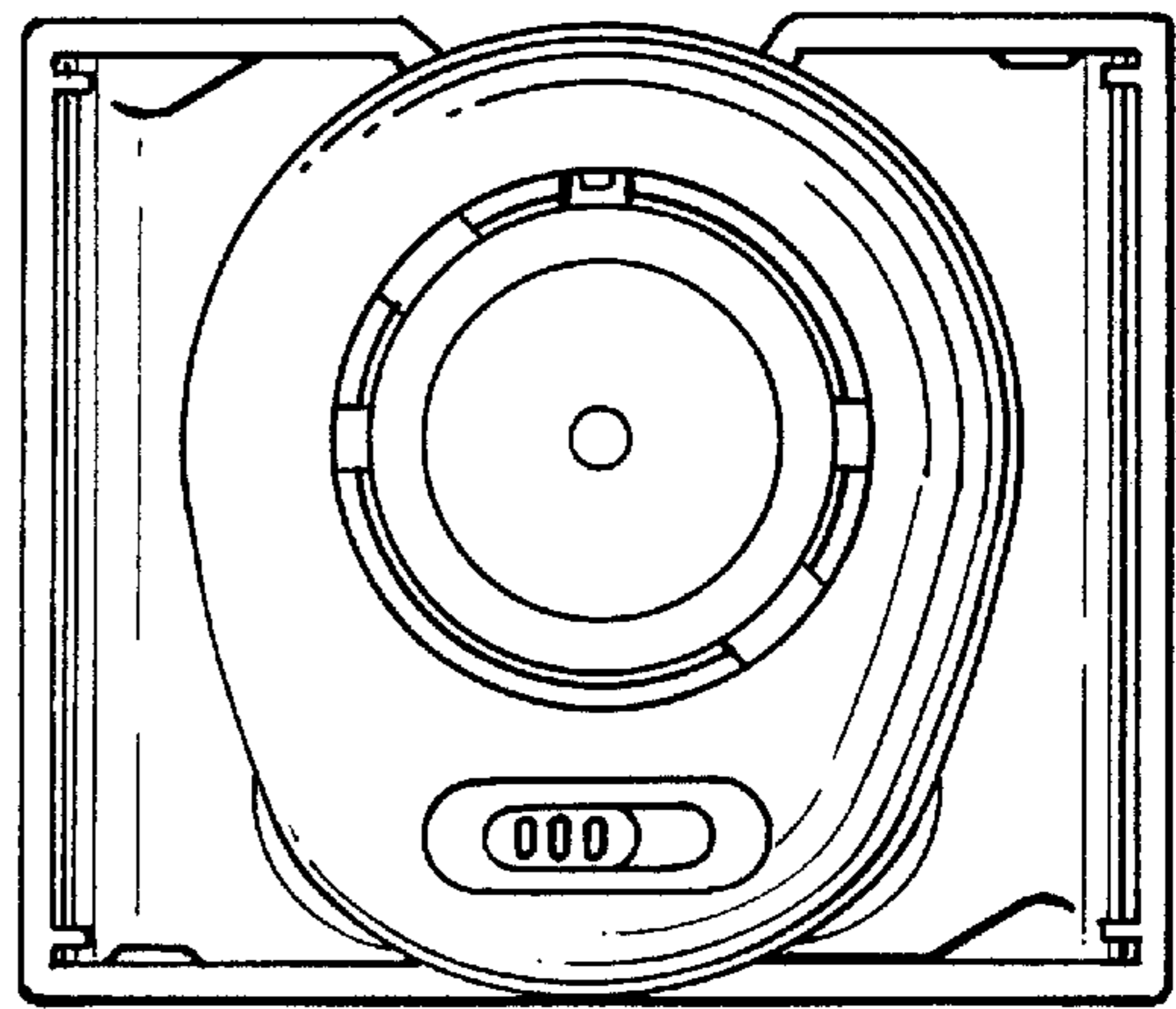


FIG. 3

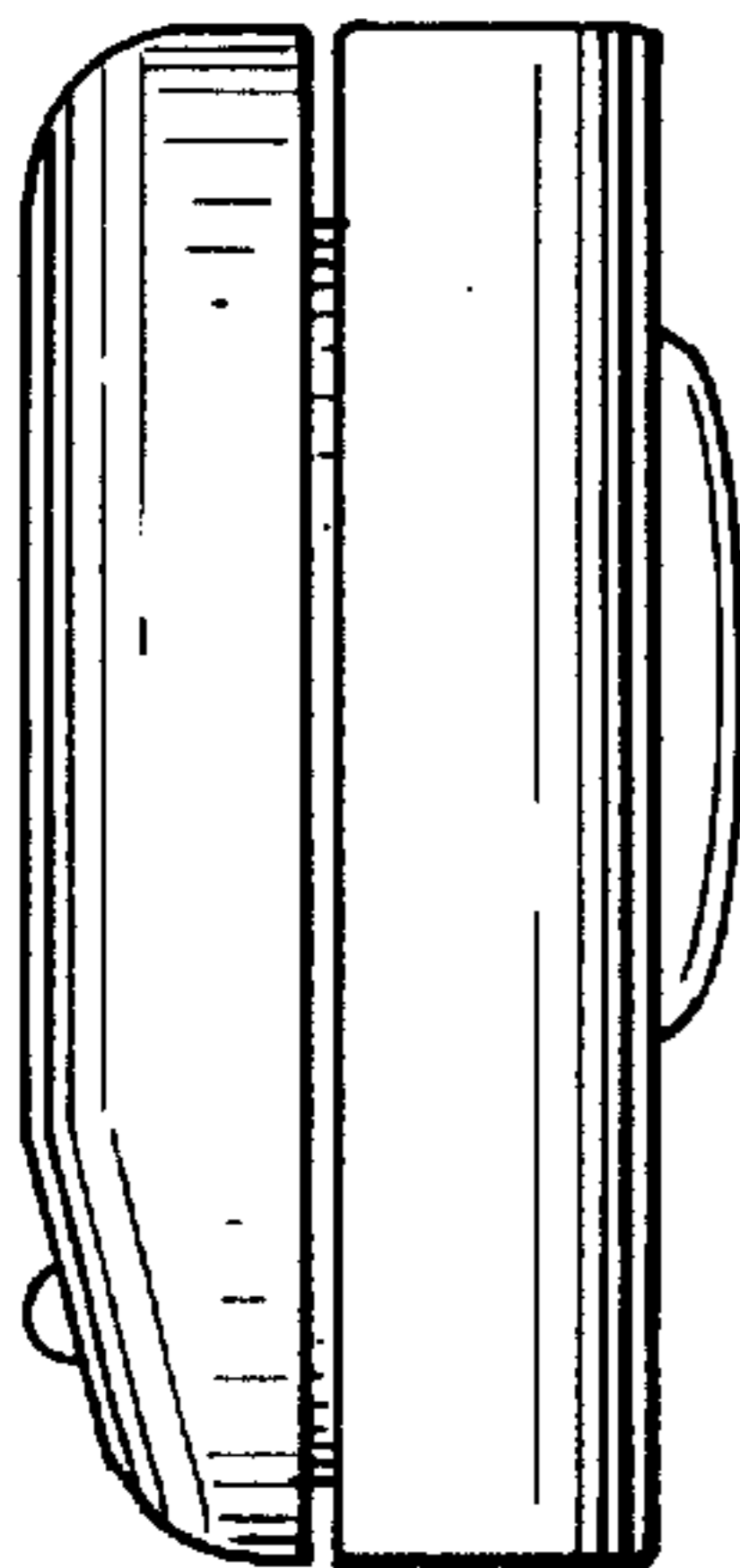


FIG. 4

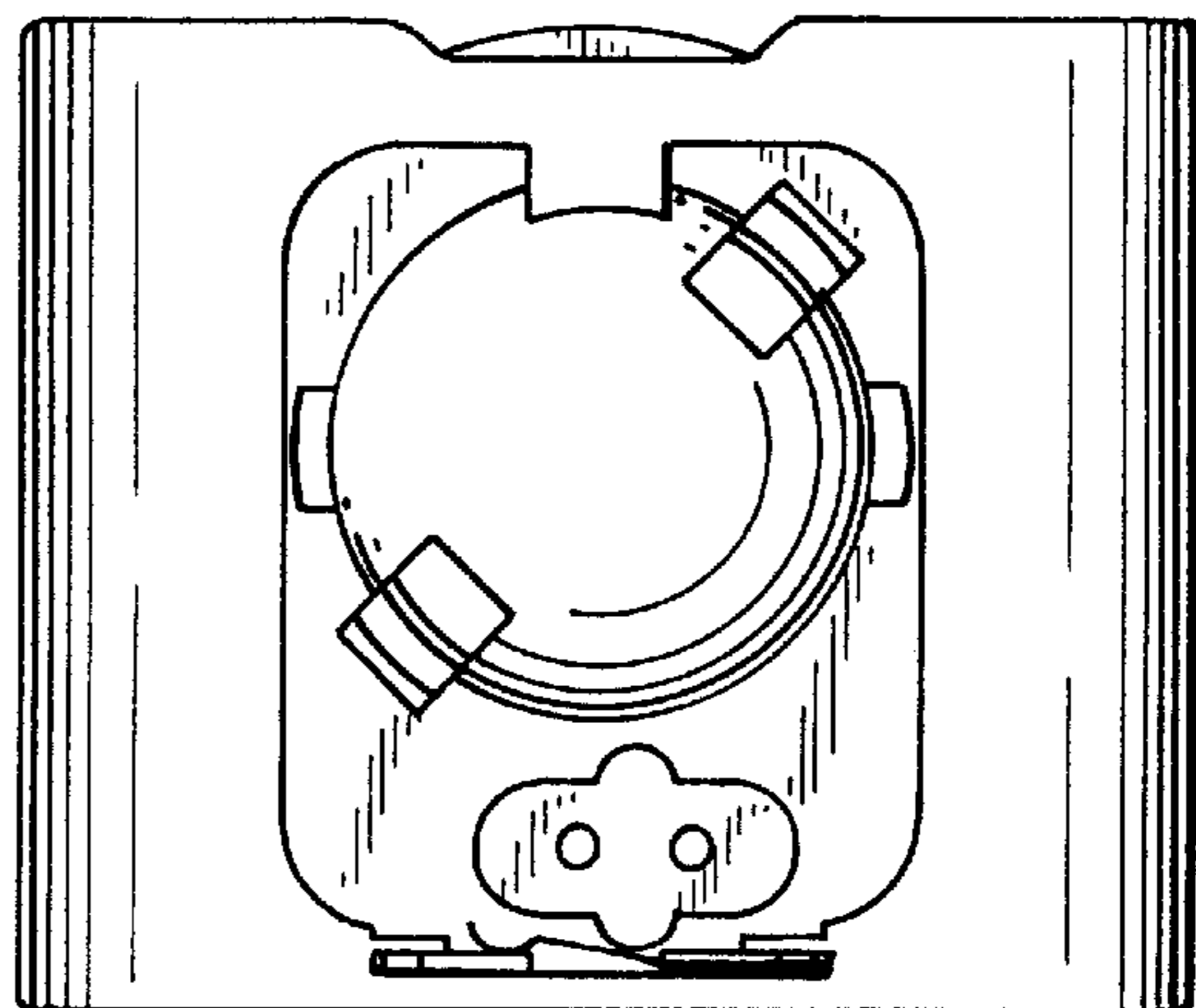


FIG. 5

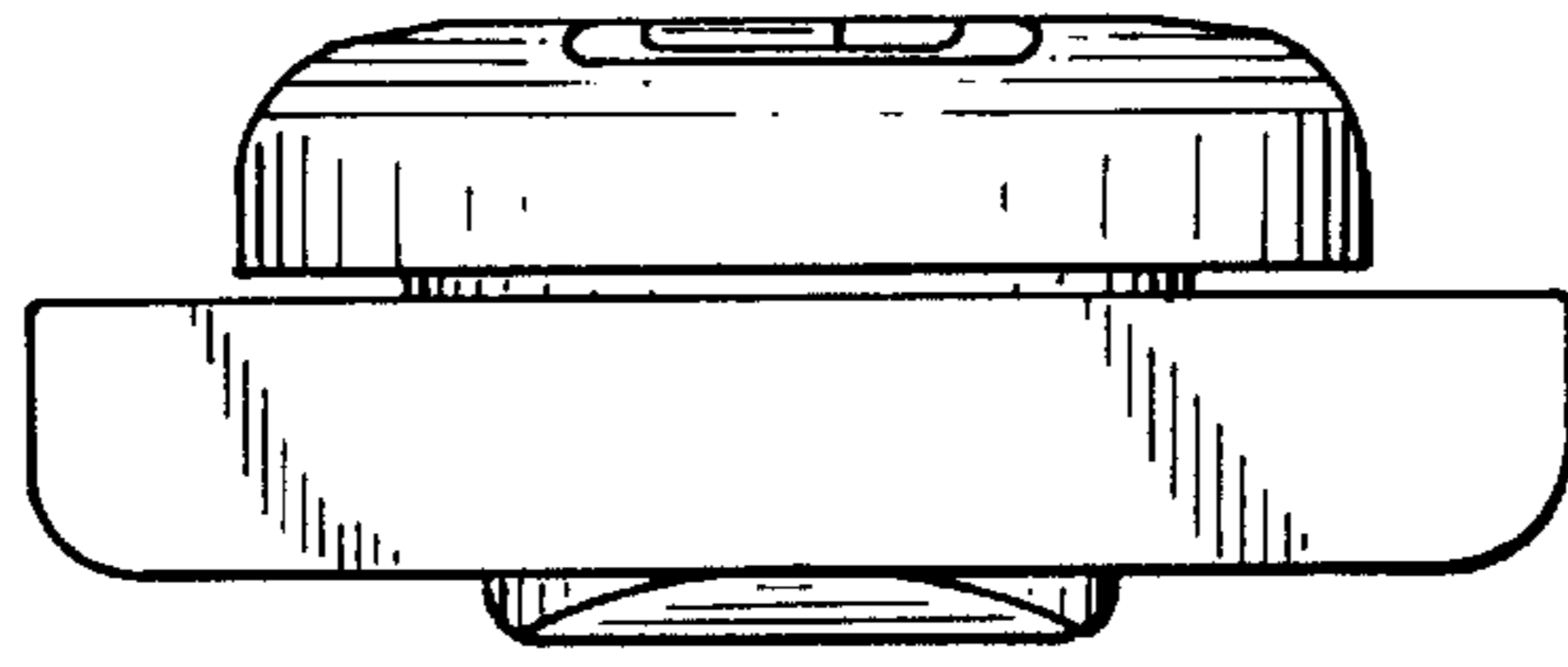


FIG. 6

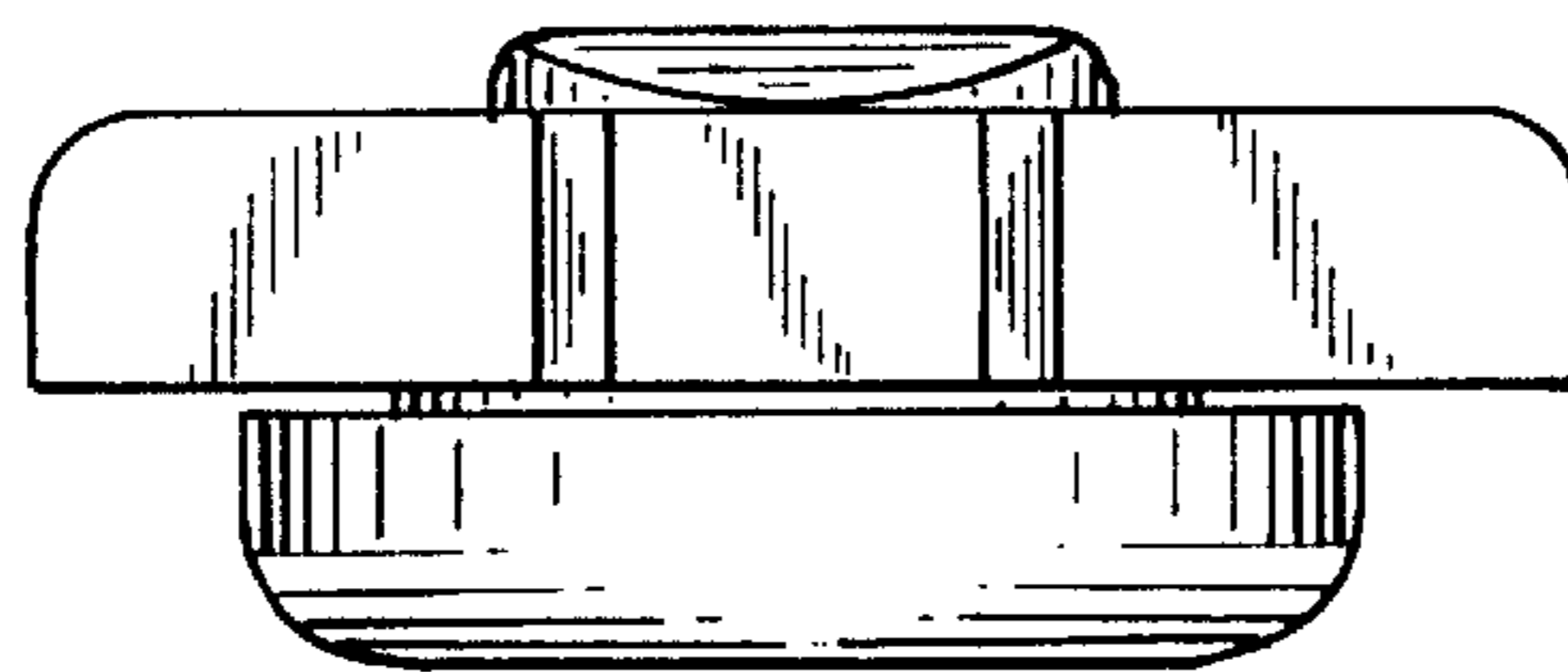


FIG. 7

