



US00D445929S

(12) **United States Design Patent**
Shing

(10) **Patent No.:** **US D445,929 S**

(45) **Date of Patent:** **** Jul. 31, 2001**

(54) **HEADLIGHT**

(75) Inventor: **Shiu Shing**, Kowloon (HK)

(73) Assignee: **Favour Light Enterprises, Ltd.**,
Kowloon (HK)

(**) Term: **14 Years**

(21) Appl. No.: **29/132,298**

(22) Filed: **Nov. 7, 2000**

(51) **LOC (7) Cl.** **26-02**

(52) **U.S. Cl.** **D26/39**

(58) **Field of Search** D26/28-36; 362/80,
362/81, 82, 83, 326, 329-340, 418, 419

(56) **References Cited**

U.S. PATENT DOCUMENTS

D. 354,823	*	1/1995	Tsai	D26/28
D. 415,297	*	10/1999	Chung	D26/28
D. 434,865	*	12/2000	Hussaini et al.	D26/28
D. 436,192	*	1/2001	Hussaini et al.	D26/28

* cited by examiner

Primary Examiner—Marcus A. Jackson

(74) *Attorney, Agent, or Firm*—Larson & Taylor, PLC

(57) **CLAIM**

The ornamental design of a headlight, as shown and described.

DESCRIPTION

FIG. 1 is front view of a headlight according to the present invention.

FIG. 2 is a top view of the headlight depicted in FIG. 1.

FIG. 3 is a right side view of the headlight depicted in FIG. 1.

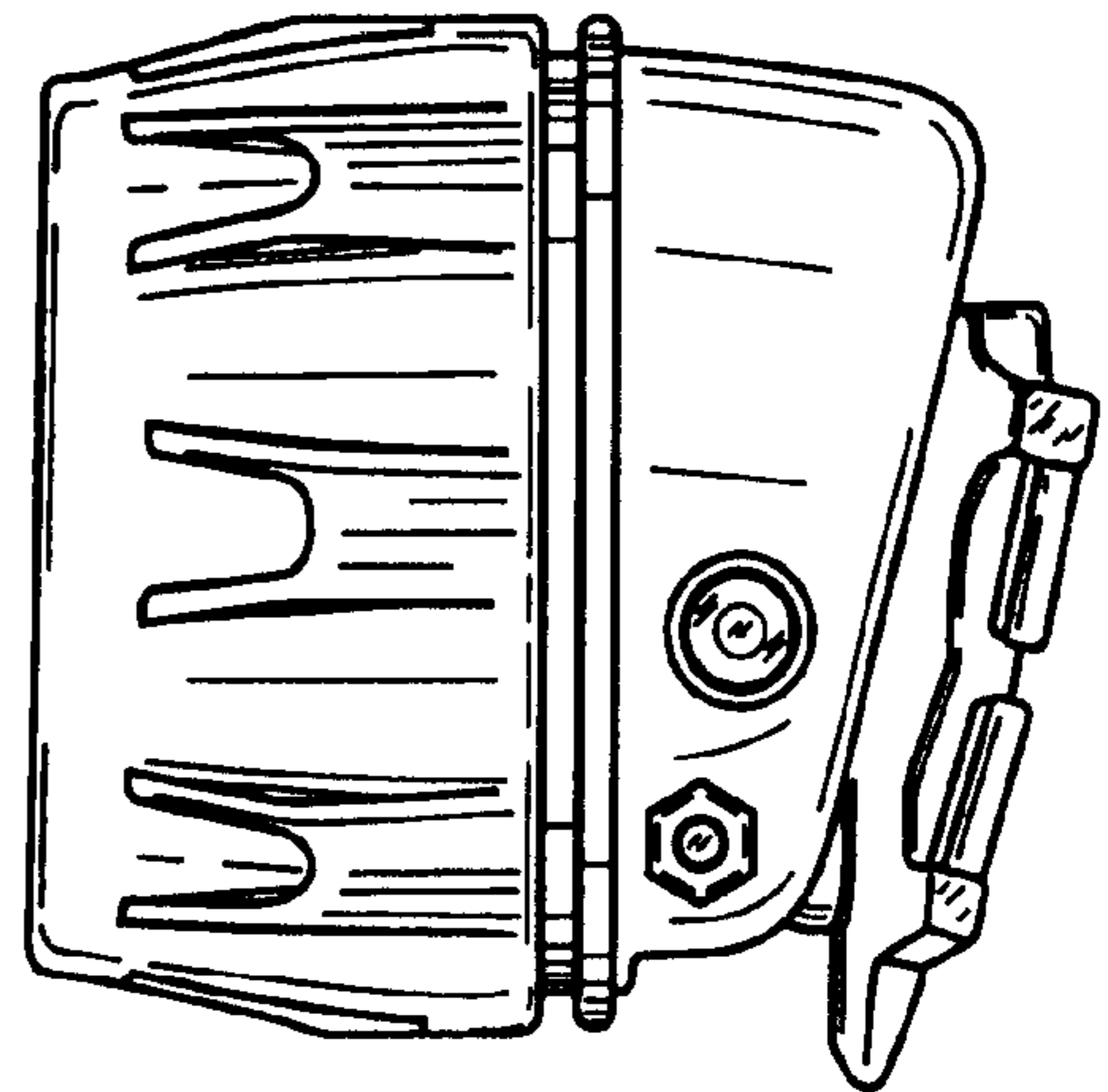
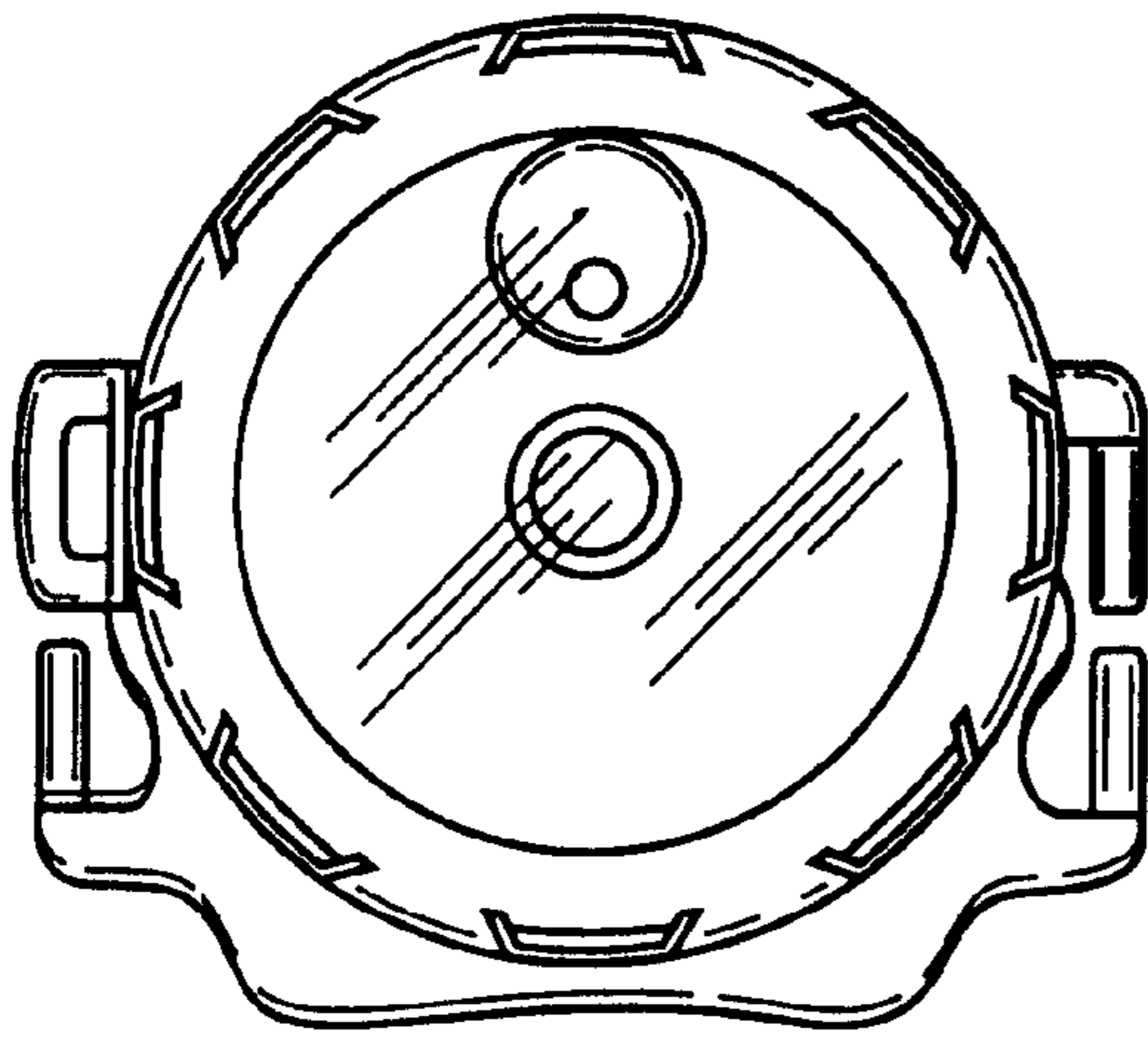
FIG. 4 is a left side view of the headlight depicted in FIG. 1.

FIG. 5 is a bottom view of the headlight depicted in FIG. 1.

FIG. 6 is rear view of the headlight depicted in FIG. 1; and,

FIG. 7 is a right side view of the headlight depicted in FIG. 1, with the broken line headband and power line elements being shown for illustrative purposes only and forming no part of the claimed design.

1 Claim, 2 Drawing Sheets



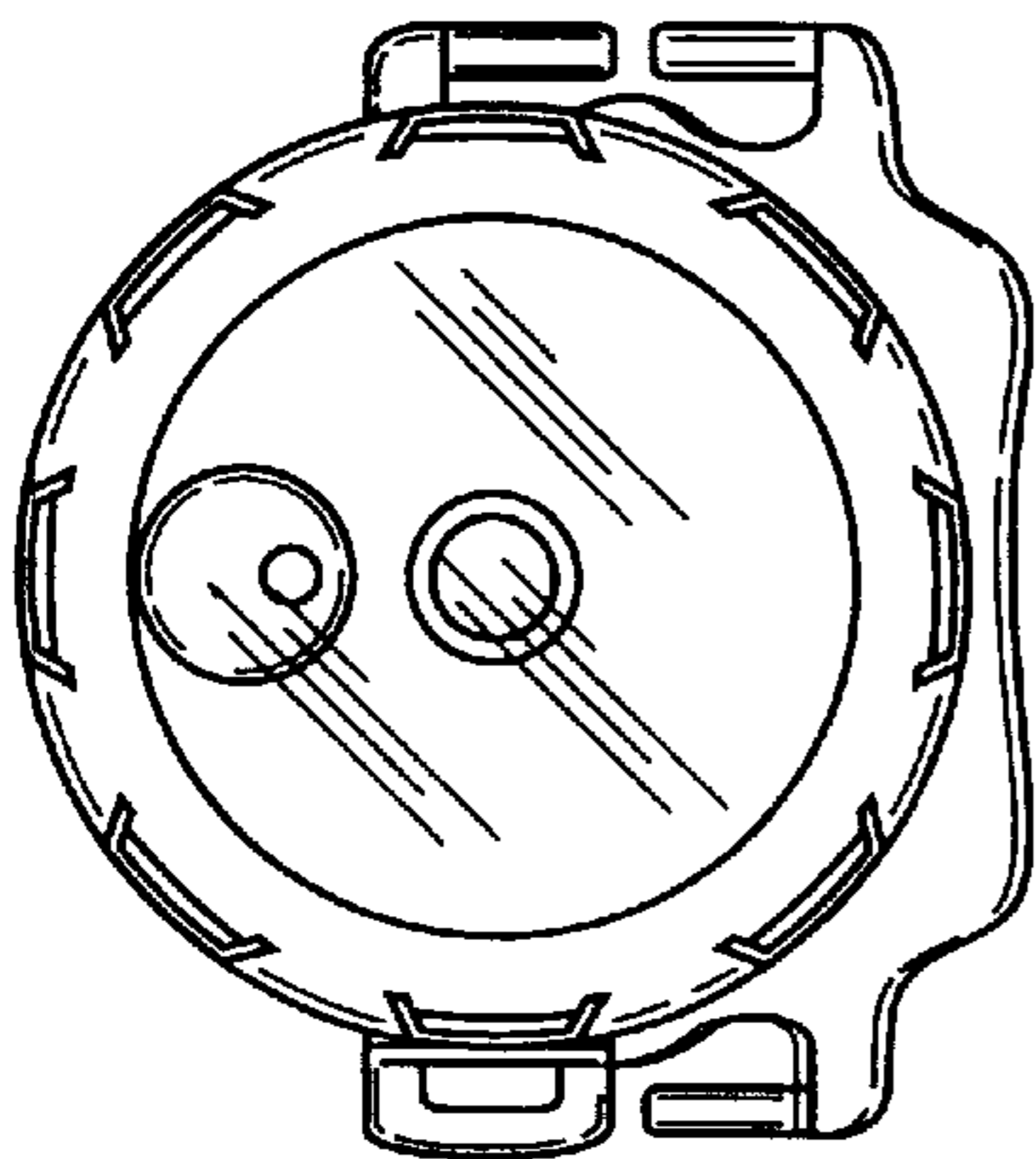


FIG. 1

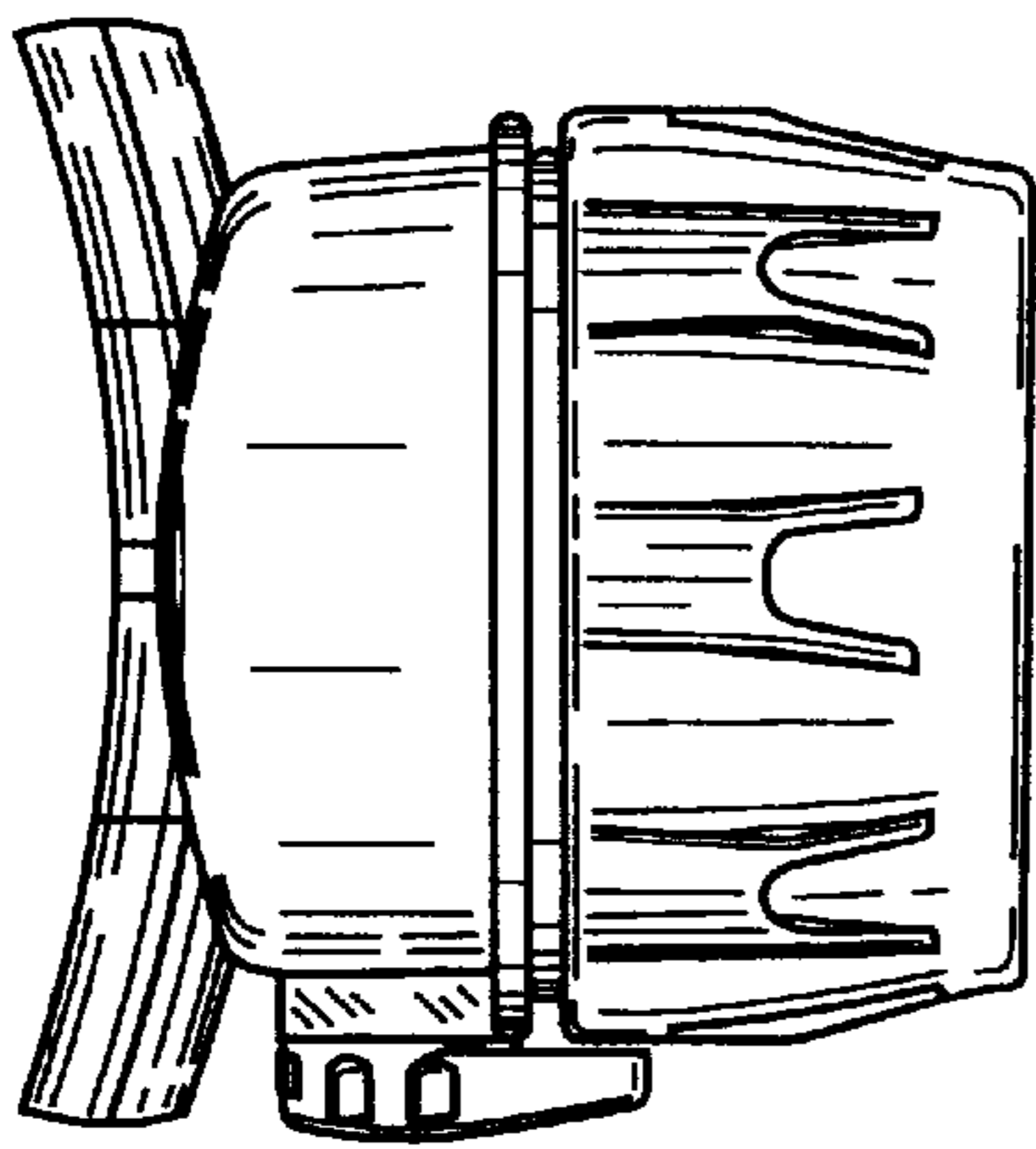


FIG. 2

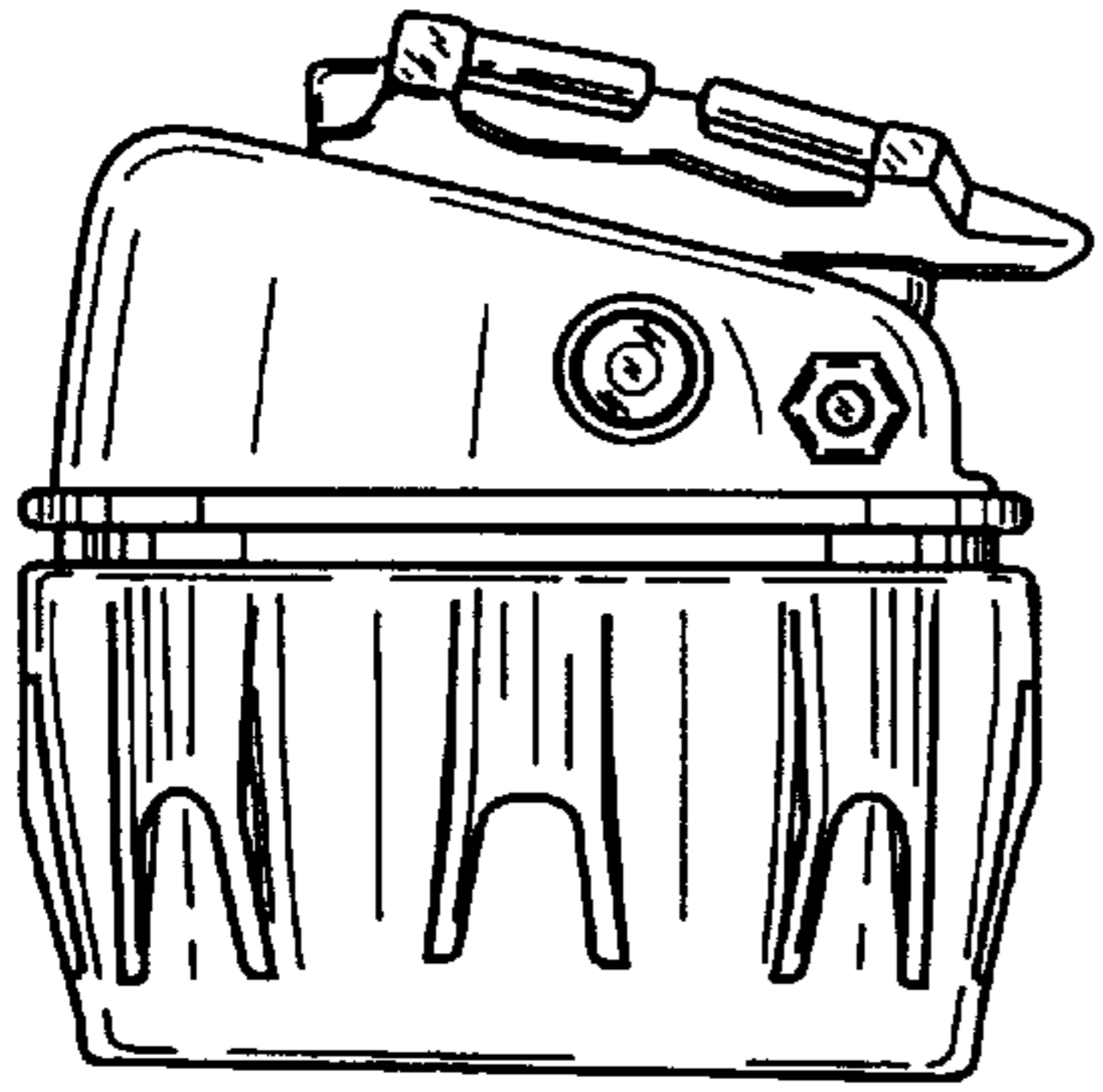


FIG. 3

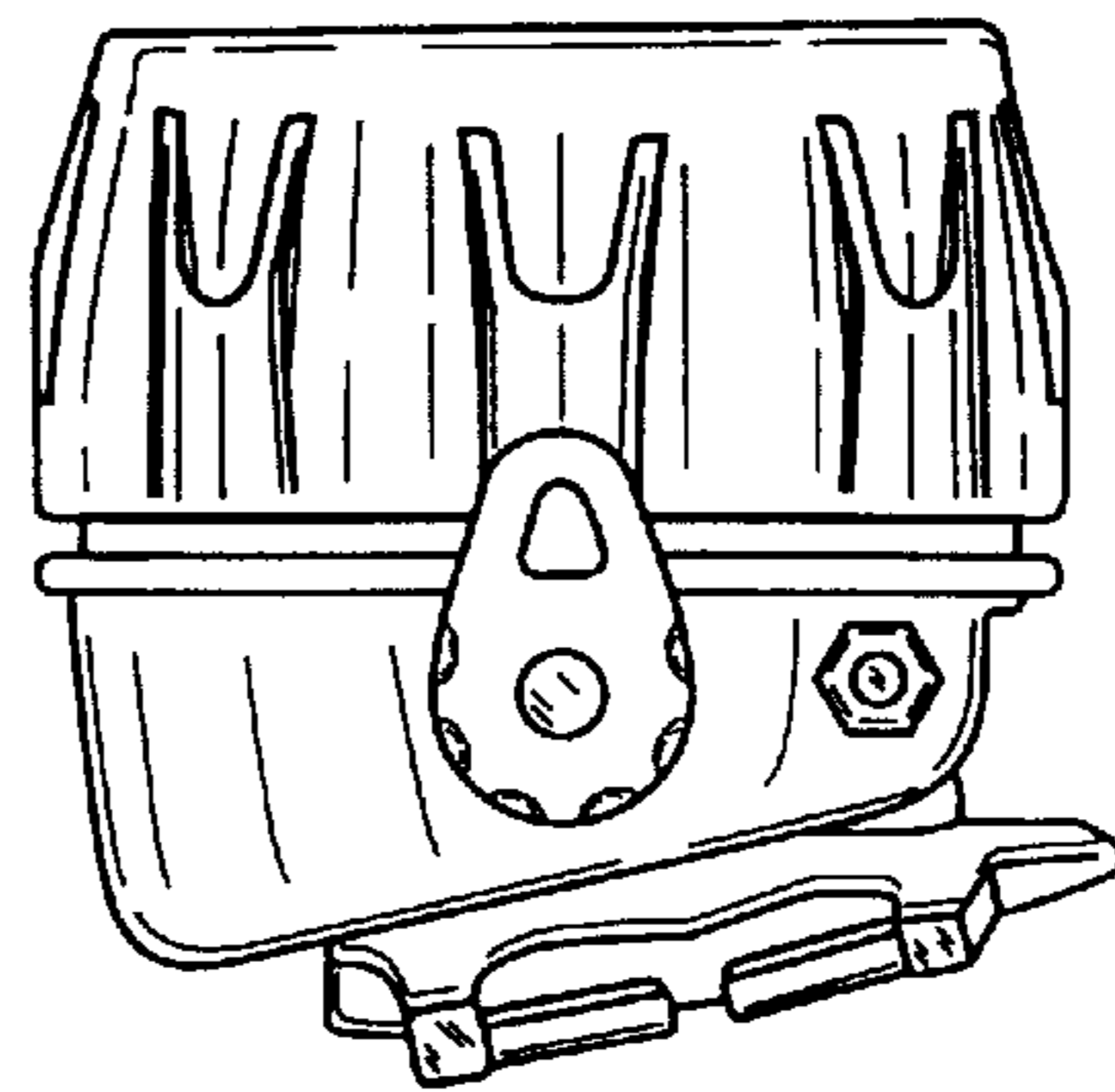


FIG. 4

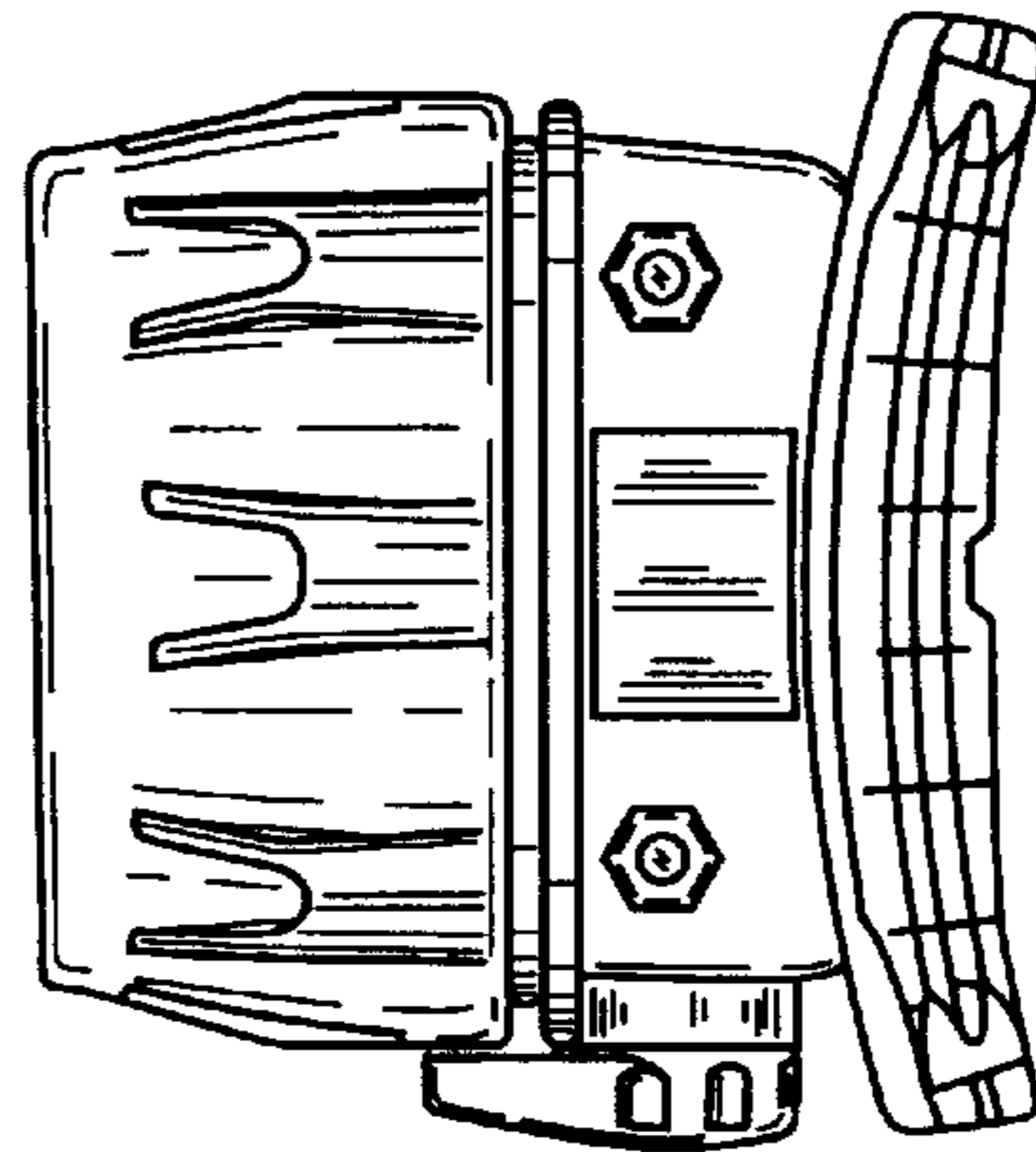


FIG. 5

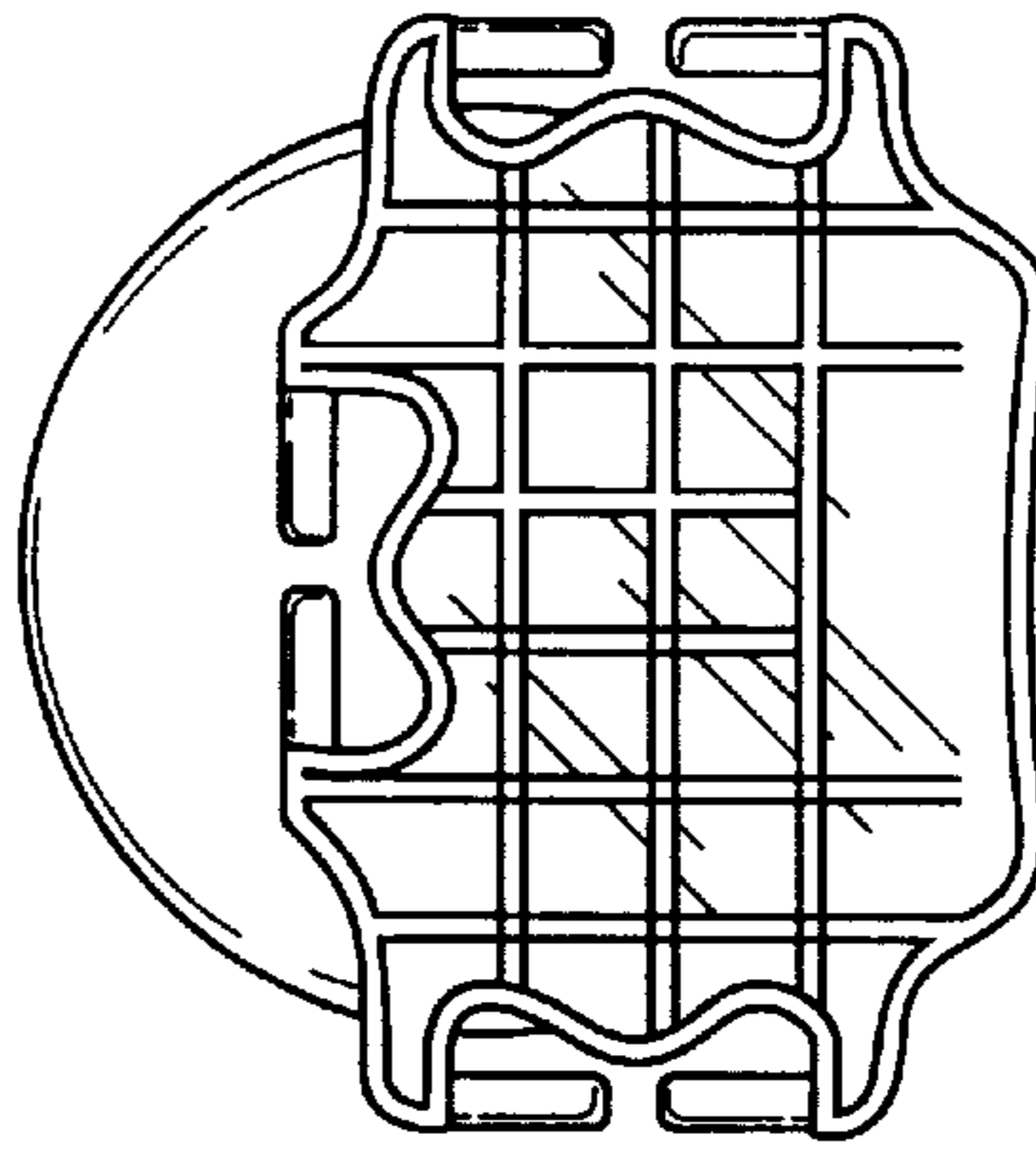


FIG. 6

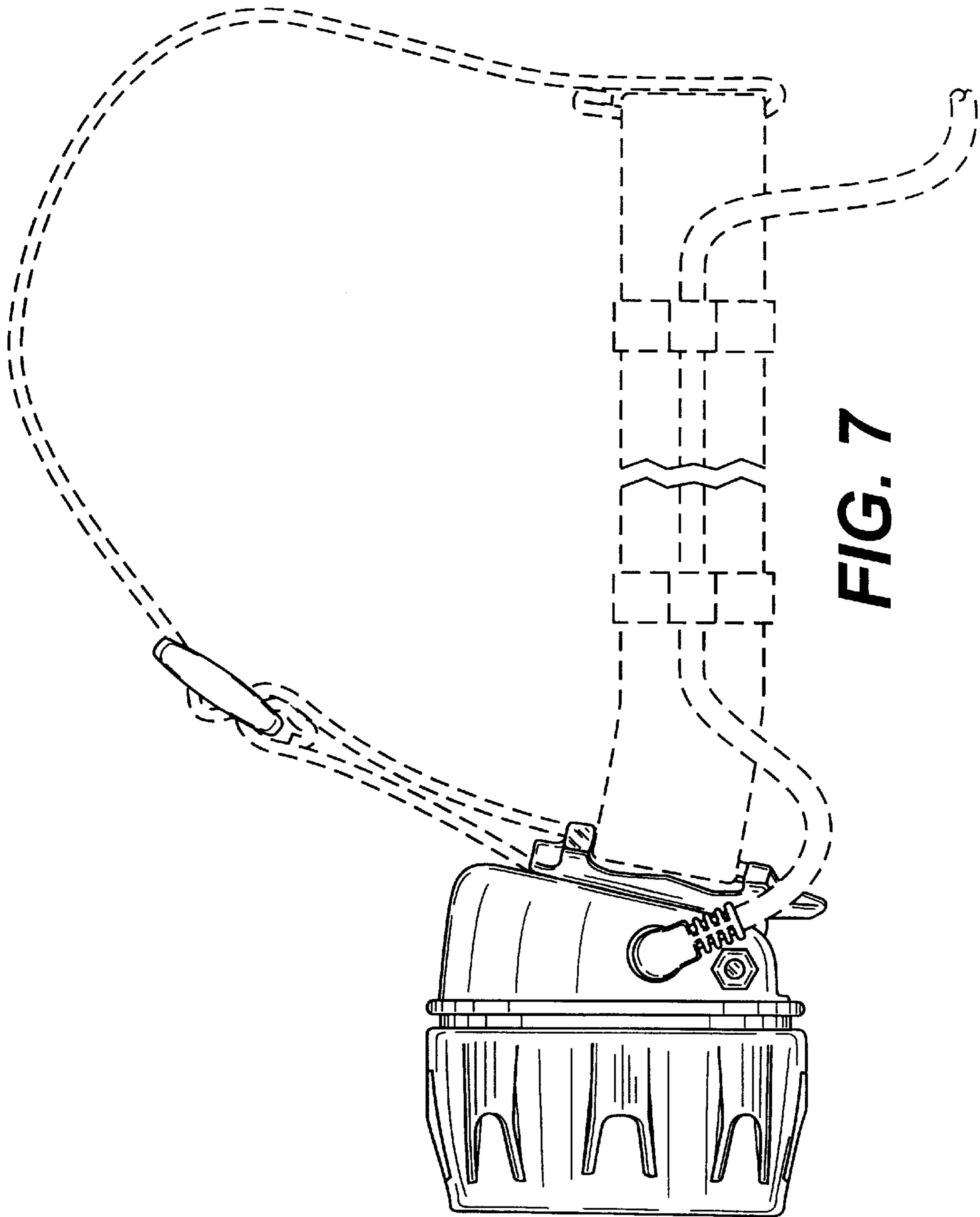


FIG. 7