



US00D445924S

(12) **United States Design Patent**
Oh

(10) **Patent No.:** **US D445,924 S**

(45) **Date of Patent:** **** Jul. 31, 2001**

(54) **SIDE-MOUNTED DIRECTION INDICATOR FOR AUTOMOBILE**

D. 385,370 * 10/1997 Moore D26/28
D. 385,982 * 11/1997 Moore D26/28
D. 390,981 * 2/1998 Kaczorowski et al. D26/28

(75) Inventor: **Young Sub Oh**, Ulsan (KR)

* cited by examiner

(73) Assignees: **Hyundai Motor Company; Hyunday Mobis**, Seoul (KR)

Primary Examiner—Marcus A. Jackson

(74) *Attorney, Agent, or Firm*—McGuire Woods, LLP

(**) Term: **14 Years**

(57) **CLAIM**

(21) Appl. No.: **29/132,516**

I claim the ornamental design for side-mounted direction indicator for automobile, as shown and described.

(22) Filed: **Nov. 13, 2000**

DESCRIPTION

(30) **Foreign Application Priority Data**

May 19, 2000 (KR) 00-12994

(51) **LOC (7) Cl.** **10-05**

(52) **U.S. Cl.** **D26/28**

(58) **Field of Search** D26/28-36; 362/61, 362/74, 80, 80.1, 83, 83.2, 147, 362, 432

FIG. 1 is a front perspective view of the direction indicator; FIG. 2 is a front elevation view of the direction indicator; FIG. 3 is a back elevation view of the direction indicator; FIG. 4 is a left side plan view of the direction indicator; FIG. 5 is a right side plan view of the direction indicator; and, FIG. 6 is a top plan view of the direction indicator, and the bottom view of the direction indicator is the identical mirror image.

(56) **References Cited**

U.S. PATENT DOCUMENTS

D. 334,073 * 3/1993 Wishoff D26/28

1 Claim, 3 Drawing Sheets

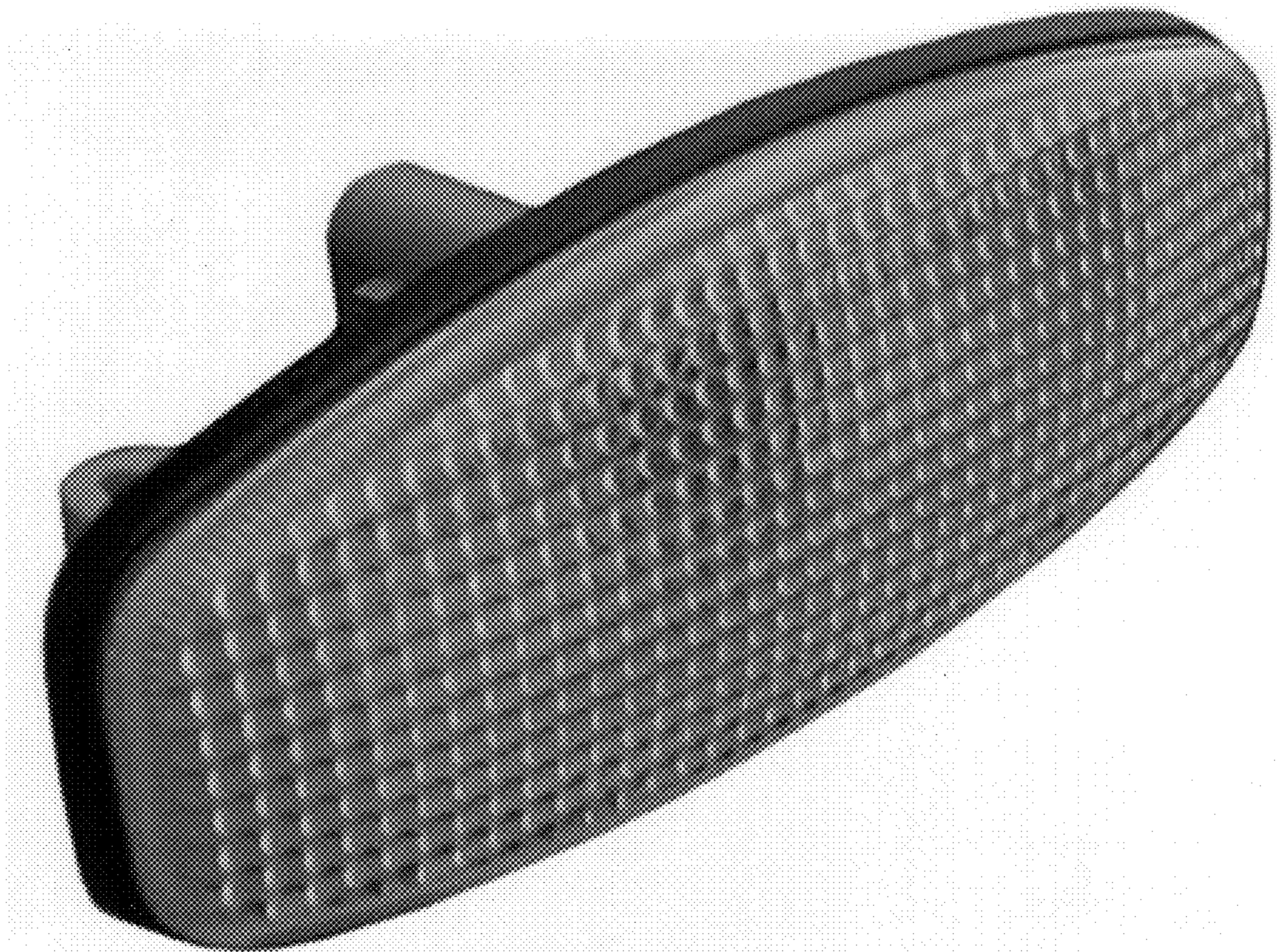




FIG. 1

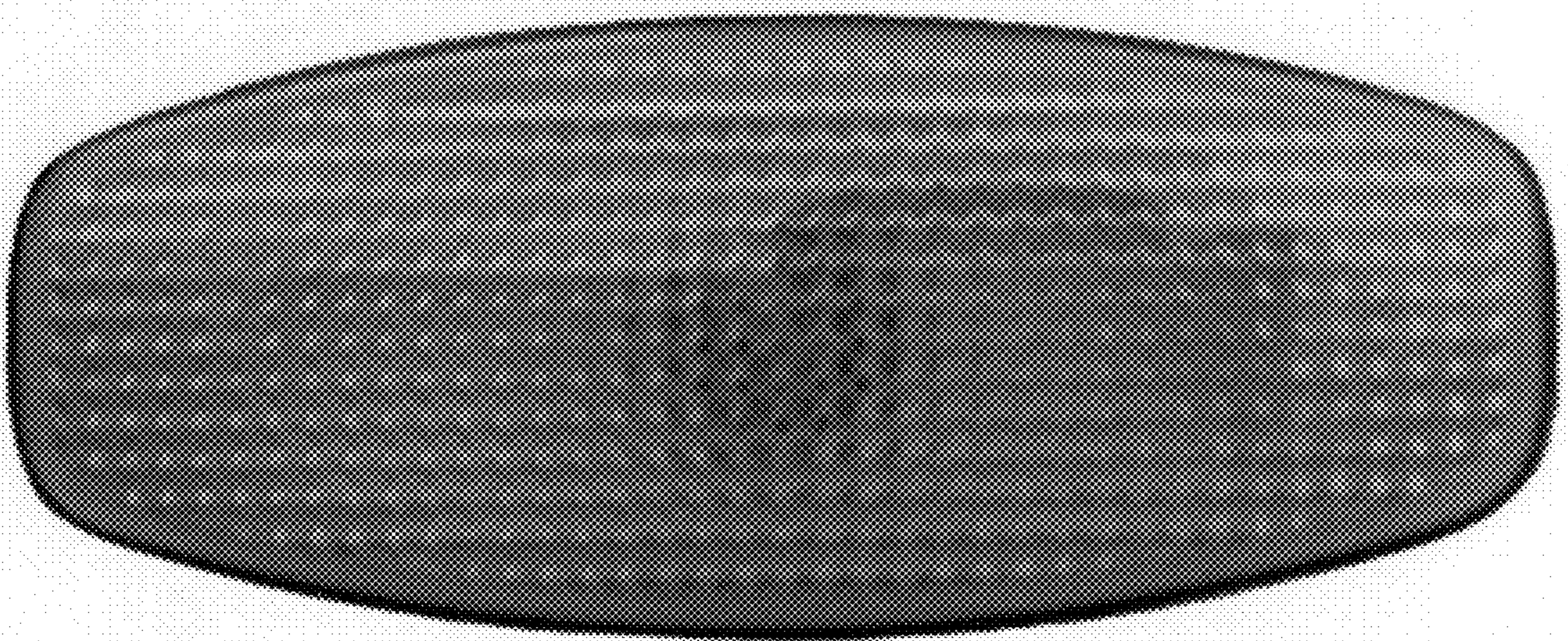


FIG. 2

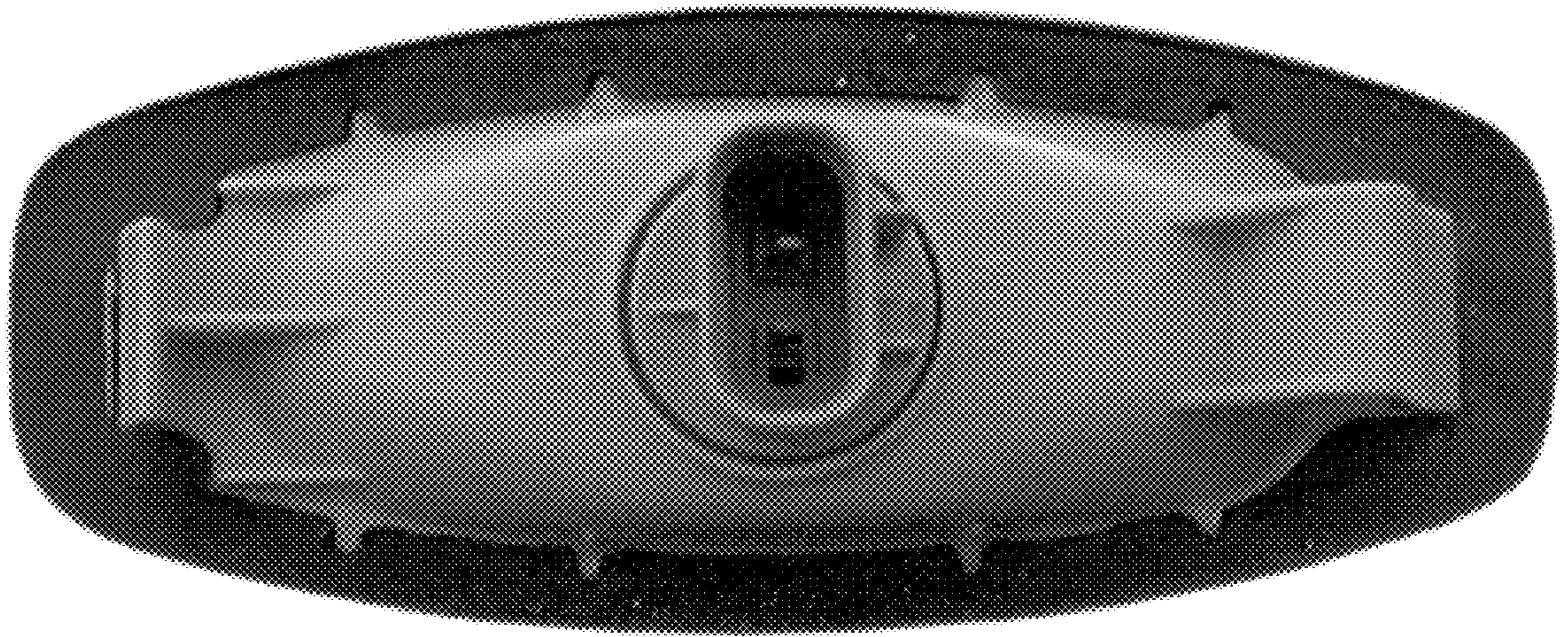


FIG. 3

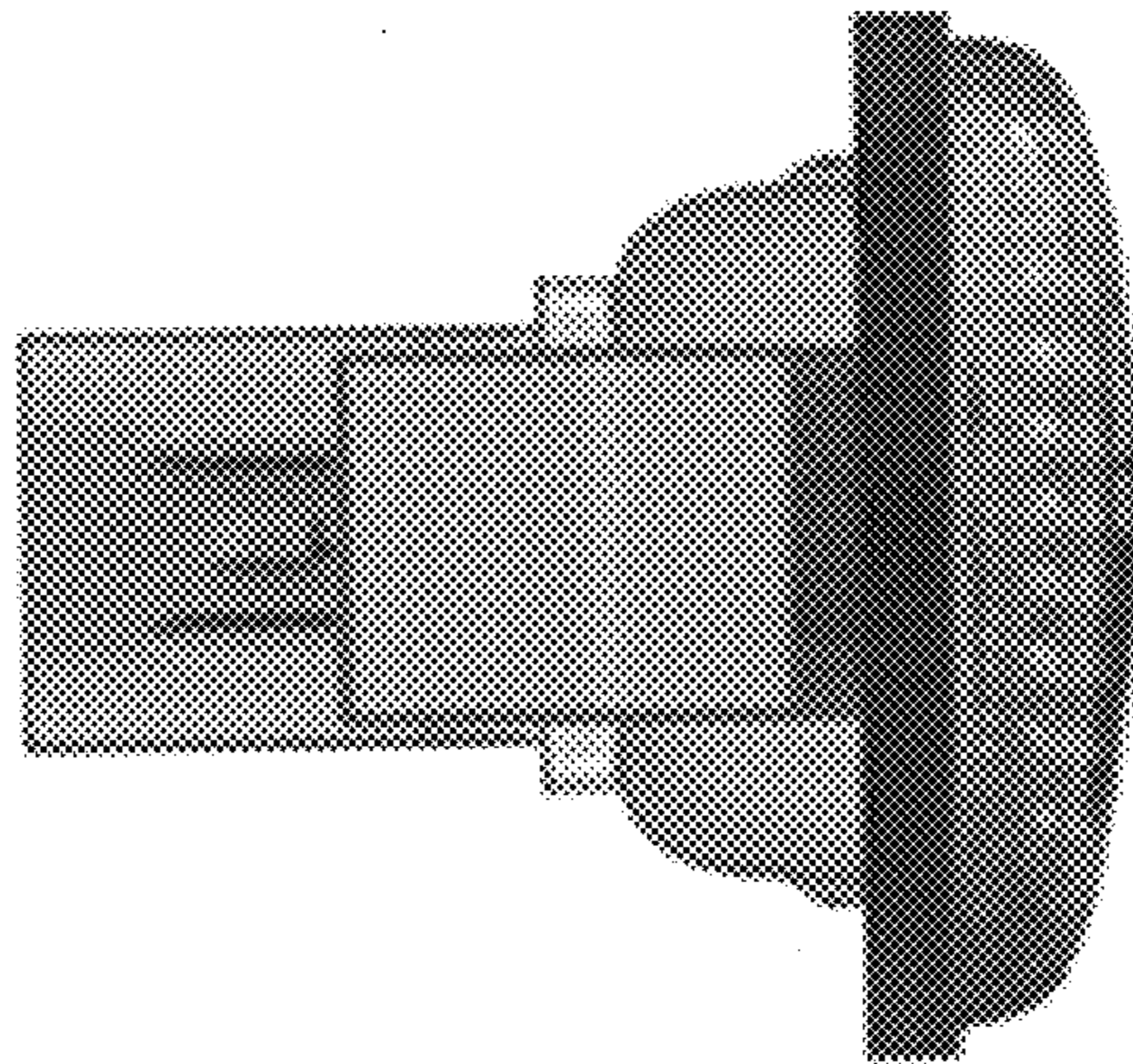


FIG. 4

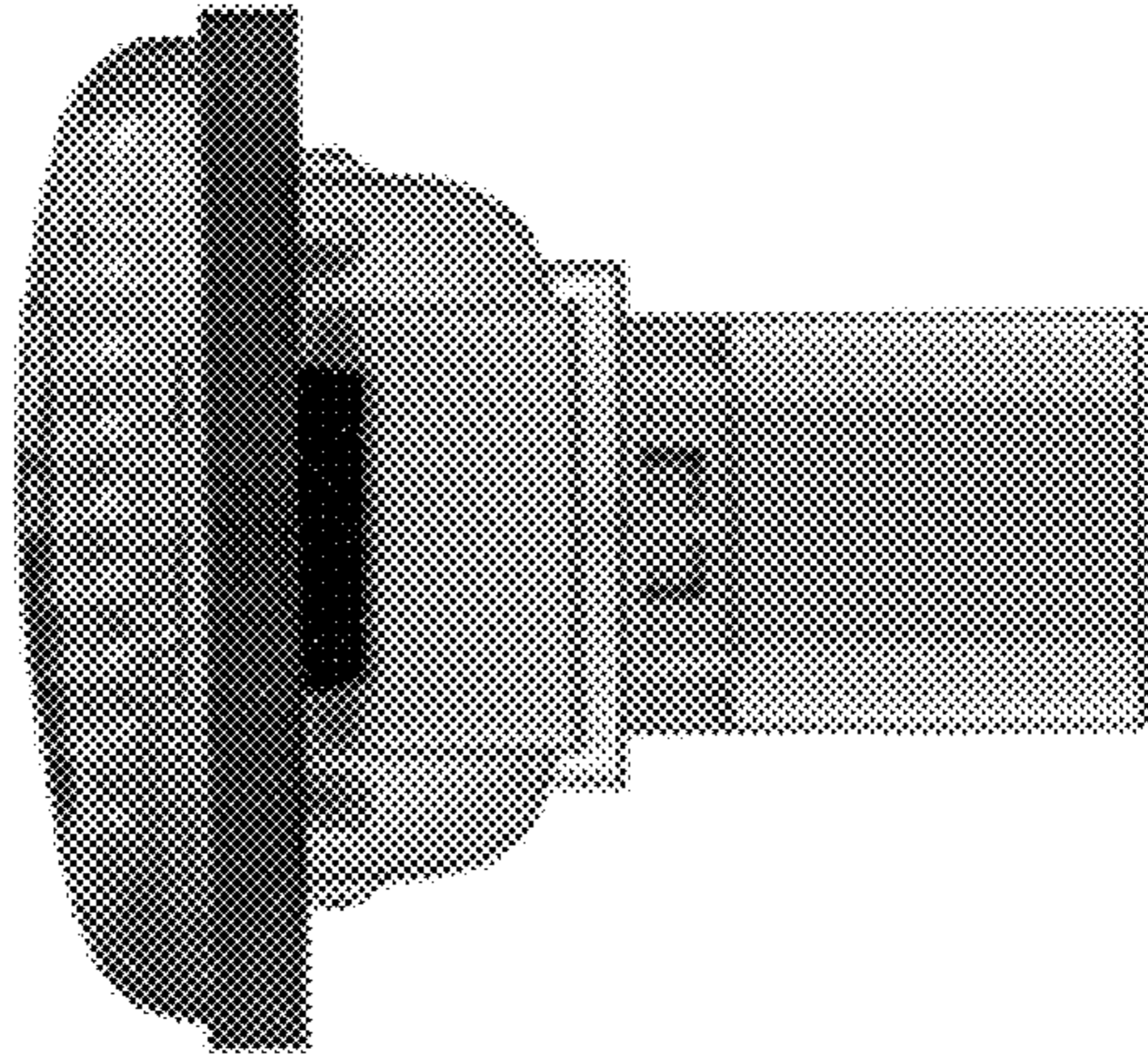


FIG. 5

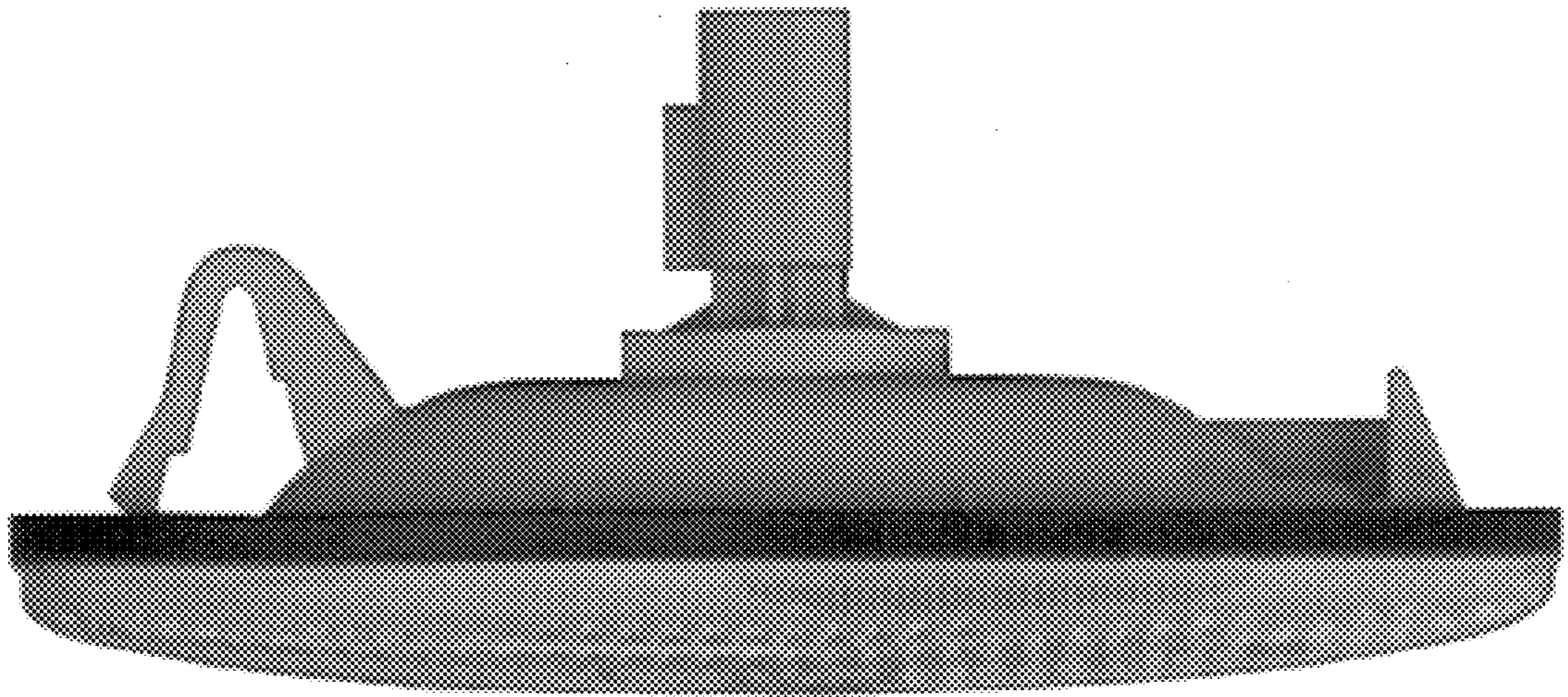


FIG. 6