



US00D445922S

(12) **United States Design Patent**
Yasuoka

(10) **Patent No.:** **US D445,922 S**

(45) **Date of Patent:** **** Jul. 31, 2001**

(54) **LIGHT EMITTING DIODE DOT MATRIX UNIT**

(75) **Inventor:** **Tuyoshi Yasuoka, Tokushima (JP)**

(73) **Assignee:** **Nichia Corporation, Anan (JP)**

(**) **Term:** **14 Years**

(21) **Appl. No.:** **29/128,790**

(22) **Filed:** **Aug. 31, 2000**

(30) **Foreign Application Priority Data**

Mar. 3, 2000 (JP) 12-004535

(51) **LOC (7) Cl.** **26-04**

(52) **U.S. Cl.** **D26/1; D20/12; D26/37**

(58) **Field of Search** **D26/37-50; 362/157, 362/158, 183-208**

(56) **References Cited**

U.S. PATENT DOCUMENTS

D. 439,351 * 3/2001 Kiba et al. D26/37

OTHER PUBLICATIONS

LED Dot Matrix Unit and LED Cluster Lamp Product Guide NLU and NLK series, Nichia Chemical Industries, Ltd., Nichia Chemical Industried Press; Sep. 1996.

* cited by examiner

Primary Examiner—Marcus A. Jackson

(74) *Attorney, Agent, or Firm*—Burns, Doane, Swecker & Mathis, LLP

(57) **CLAIM**

The ornamental design for a light emitting diode dot matrix unit, as shown and described.

DESCRIPTION

FIG. 1 is a front elevational view of a light emitting diode dot matrix unit showing my new design; FIG. 2 is a rear elevational view thereof; FIG. 3 is a top plan view thereof; FIG. 4 is a bottom plan view thereof; FIG. 5 is a left side elevational view thereof; FIG. 6 is a right side elevational view thereof; FIG. 7 is an enlarged front elevational view taken along a line 7—7 in FIG. 1; FIG. 8 is an enlarged front perspective view of the portion of the light emitting diode dot matrix unit shown in FIG. 7; FIG. 9 is a sectional view taken along a line 9—9 in FIG. 7; FIG. 10 is a front elevational view of a second embodiment of a light emitting diode dot matrix unit showing my new design; FIG. 11 is a rear elevational view thereof; FIG. 12 is a top plan view thereof; FIG. 13 is a bottom plan view thereof; FIG. 14 is a left side elevational view thereof; FIG. 15 is a right side elevational view thereof; FIG. 16 is an enlarged front elevational view taken along a line 16—16 in FIG. 10; FIG. 17 is an enlarged front perspective view of the portion of the light emitting diode dot matrix unit shown in FIG. 16; and, FIG. 18 is a sectional view taken along a line 18—18 in FIG. 16.

1 Claim, 10 Drawing Sheets

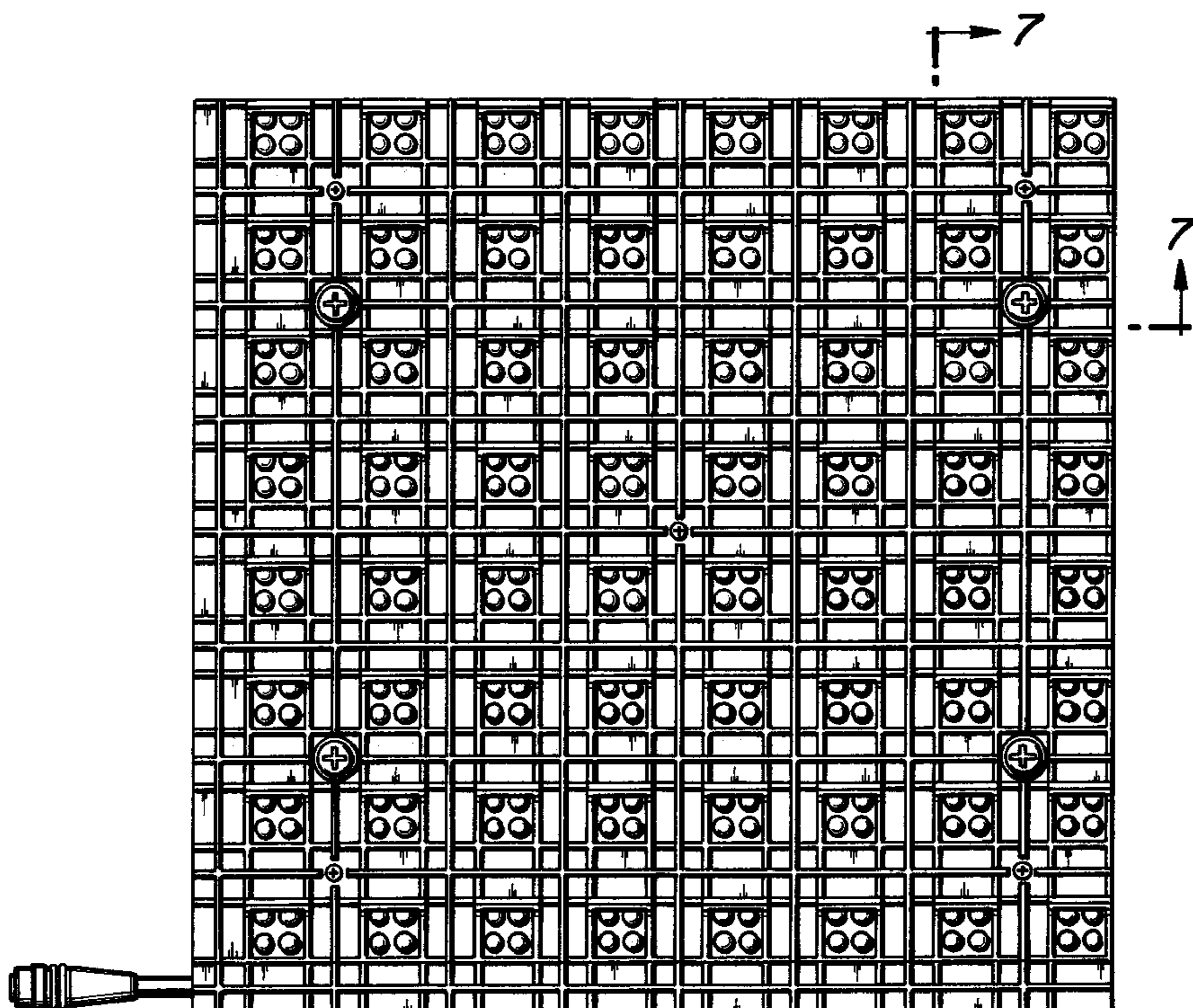


Fig. 1

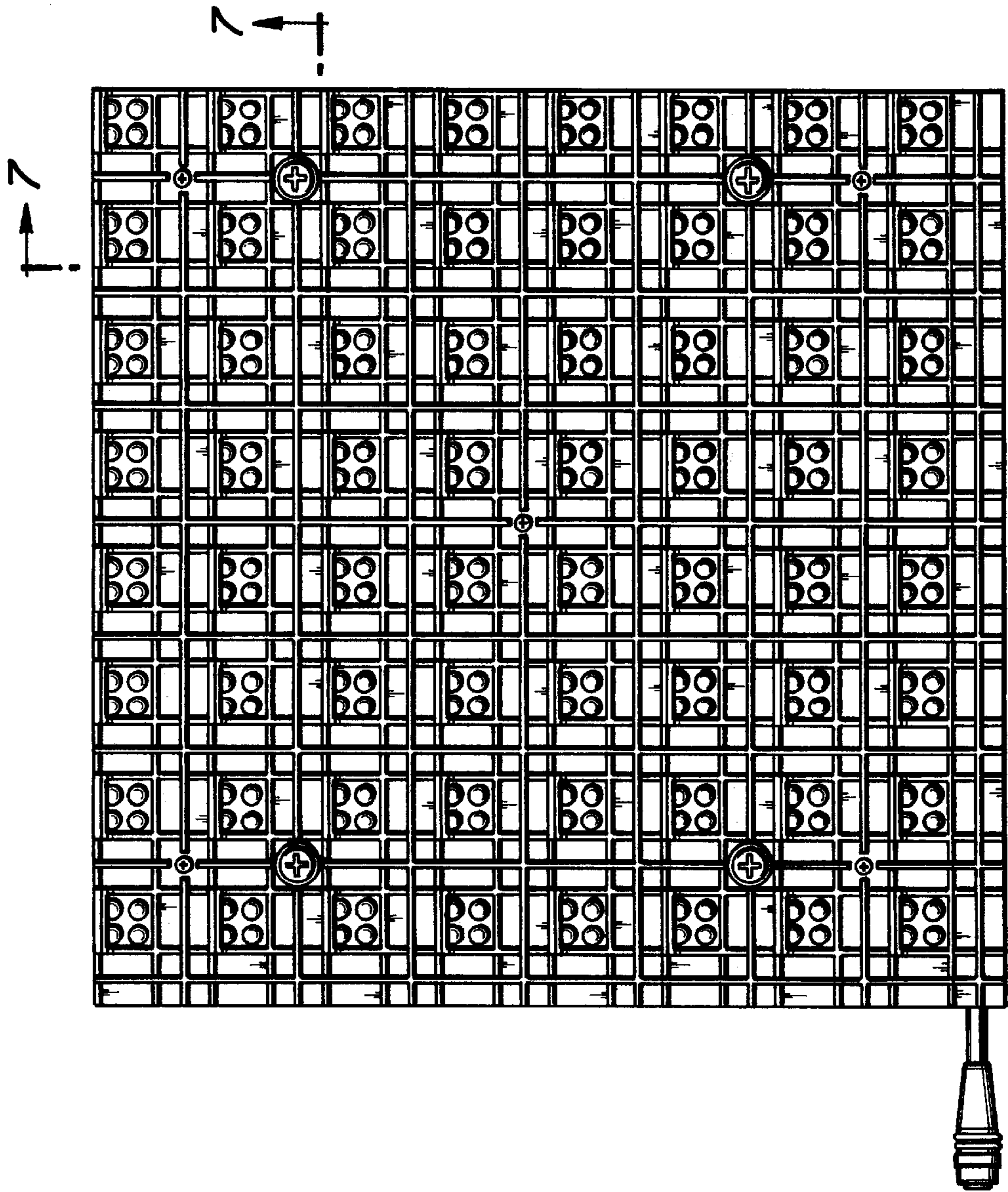


Fig. 2

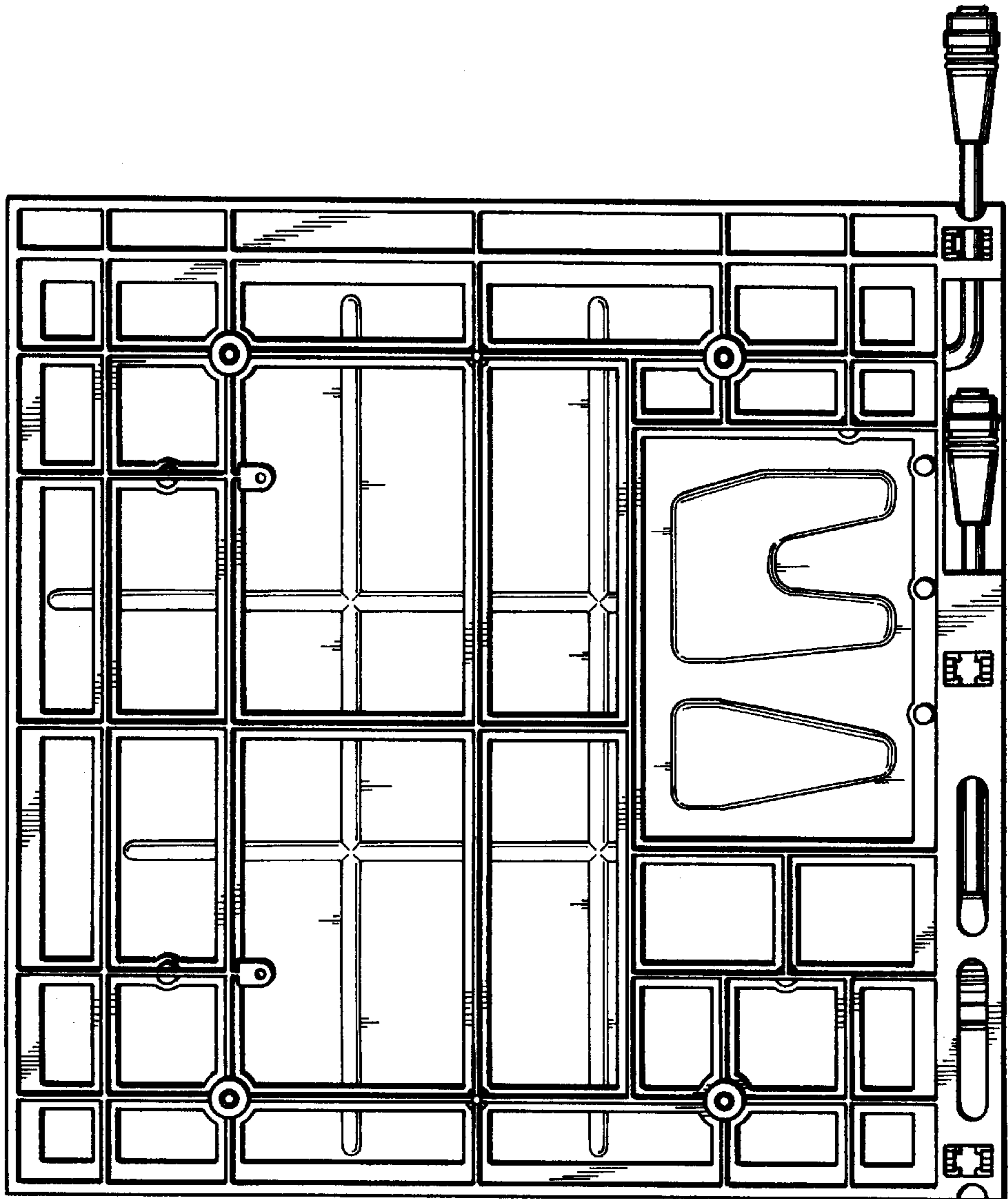


Fig. 3

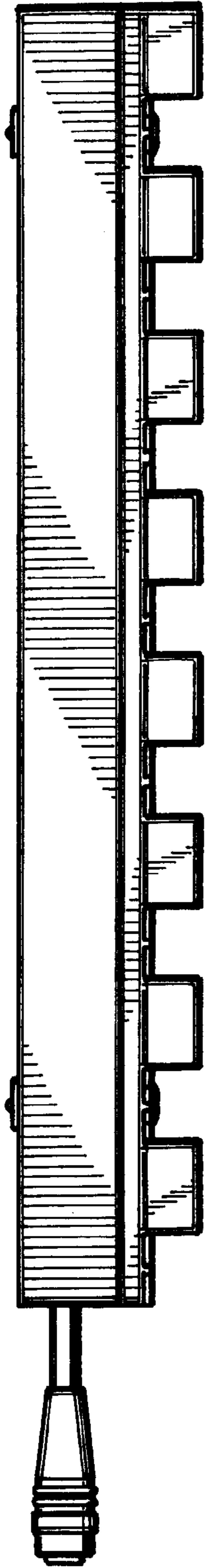


Fig. 4

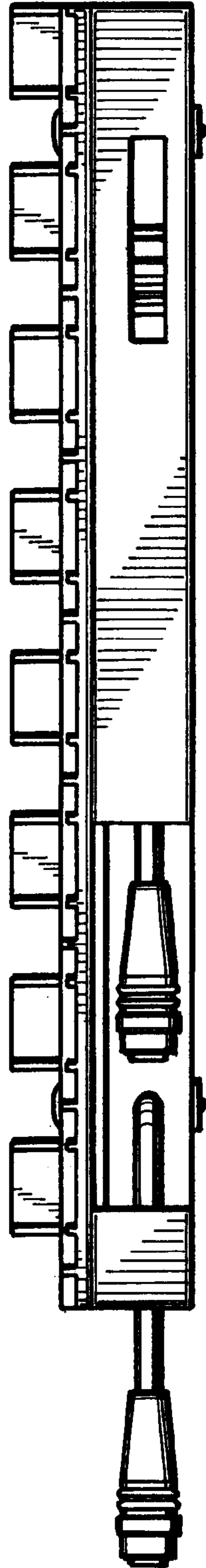


Fig. 6

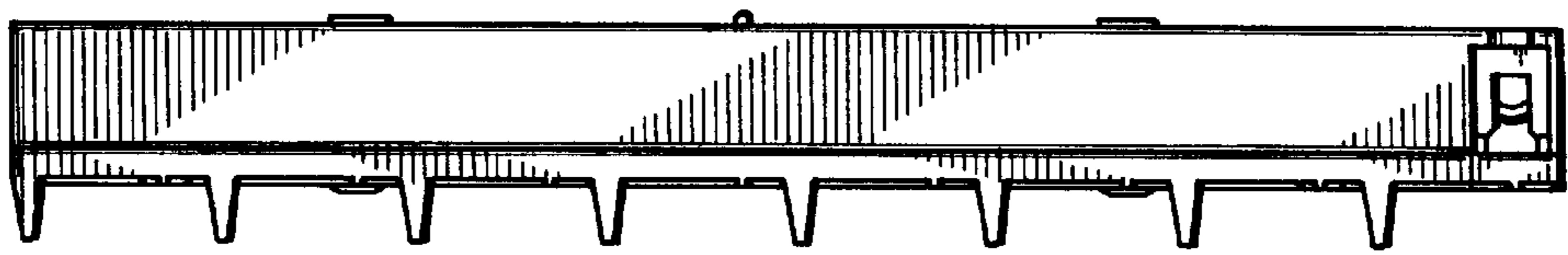


Fig. 5

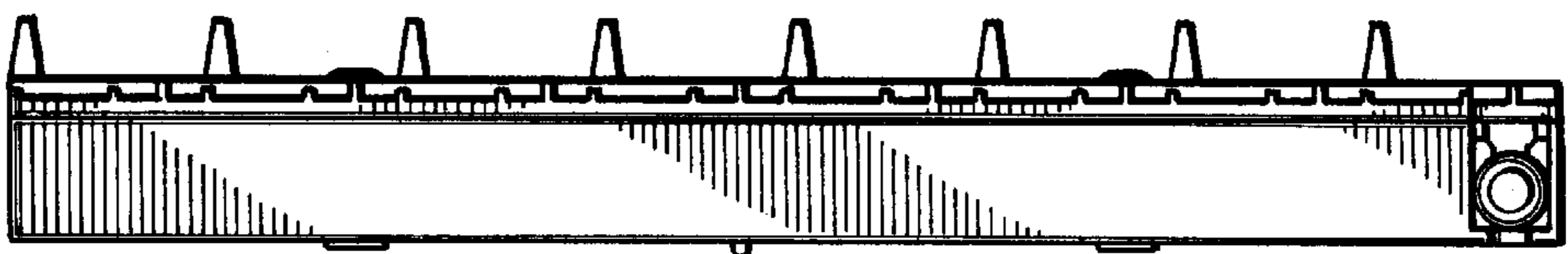


Fig. 9

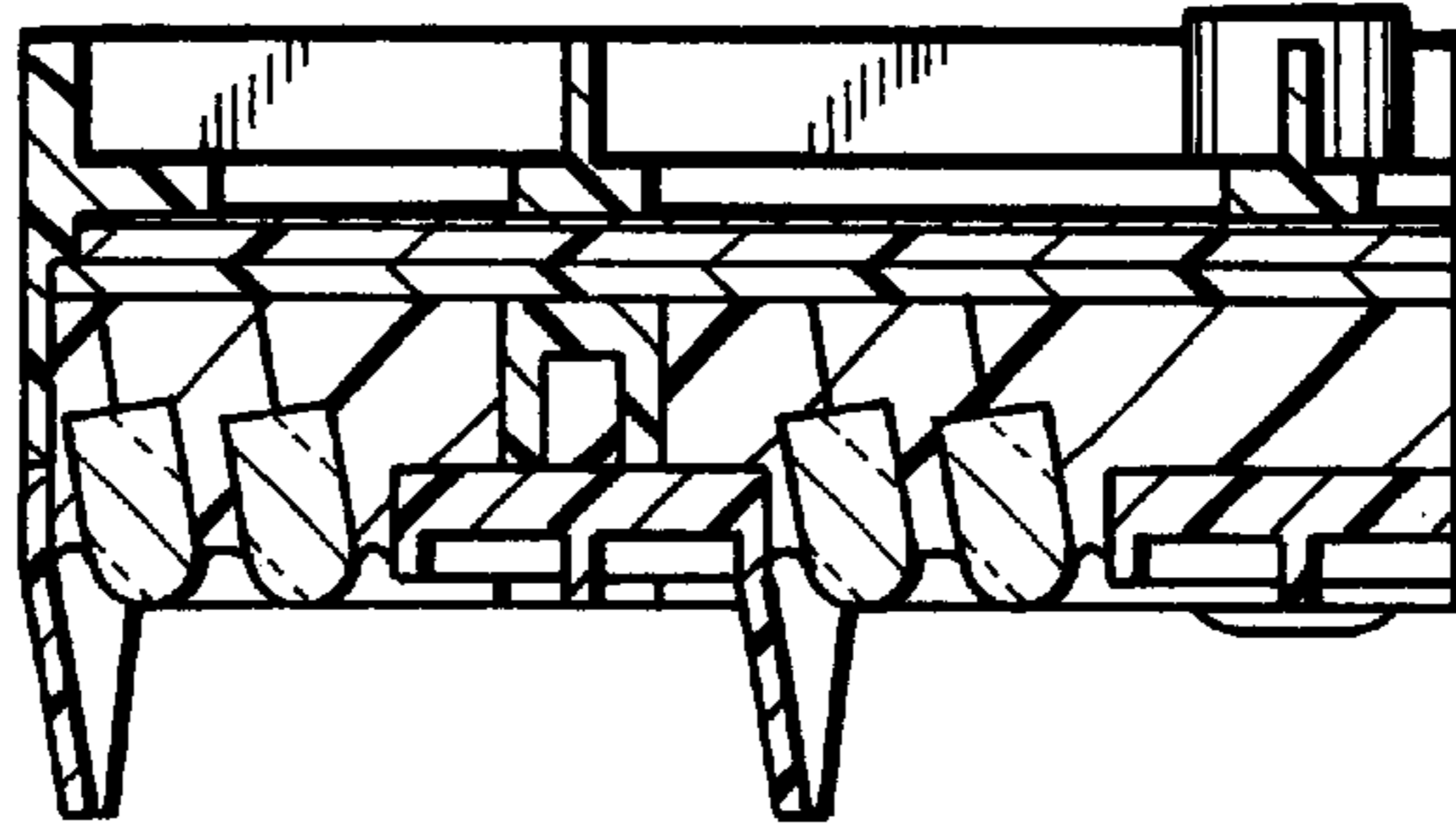


Fig. 8

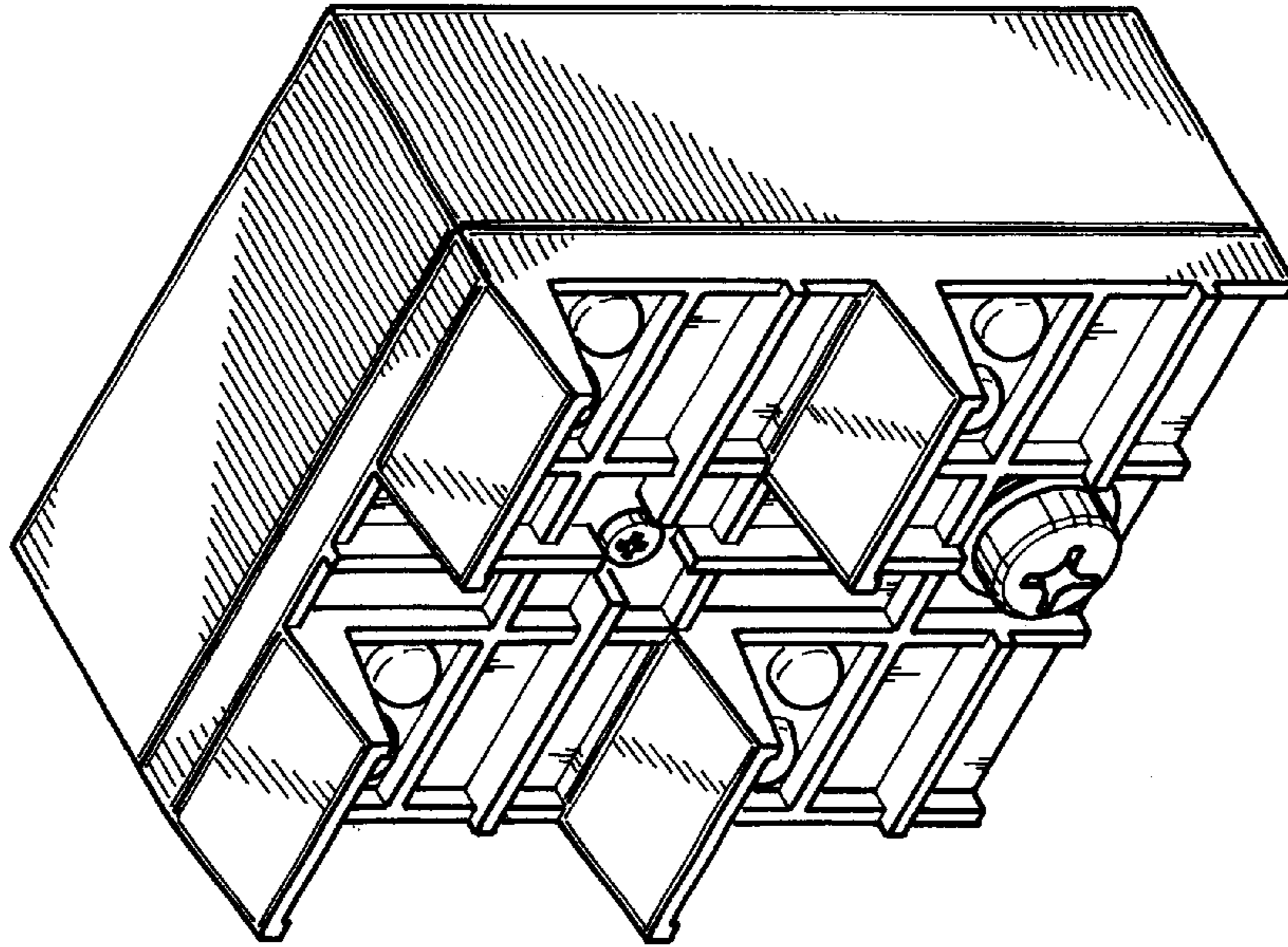


Fig. 7

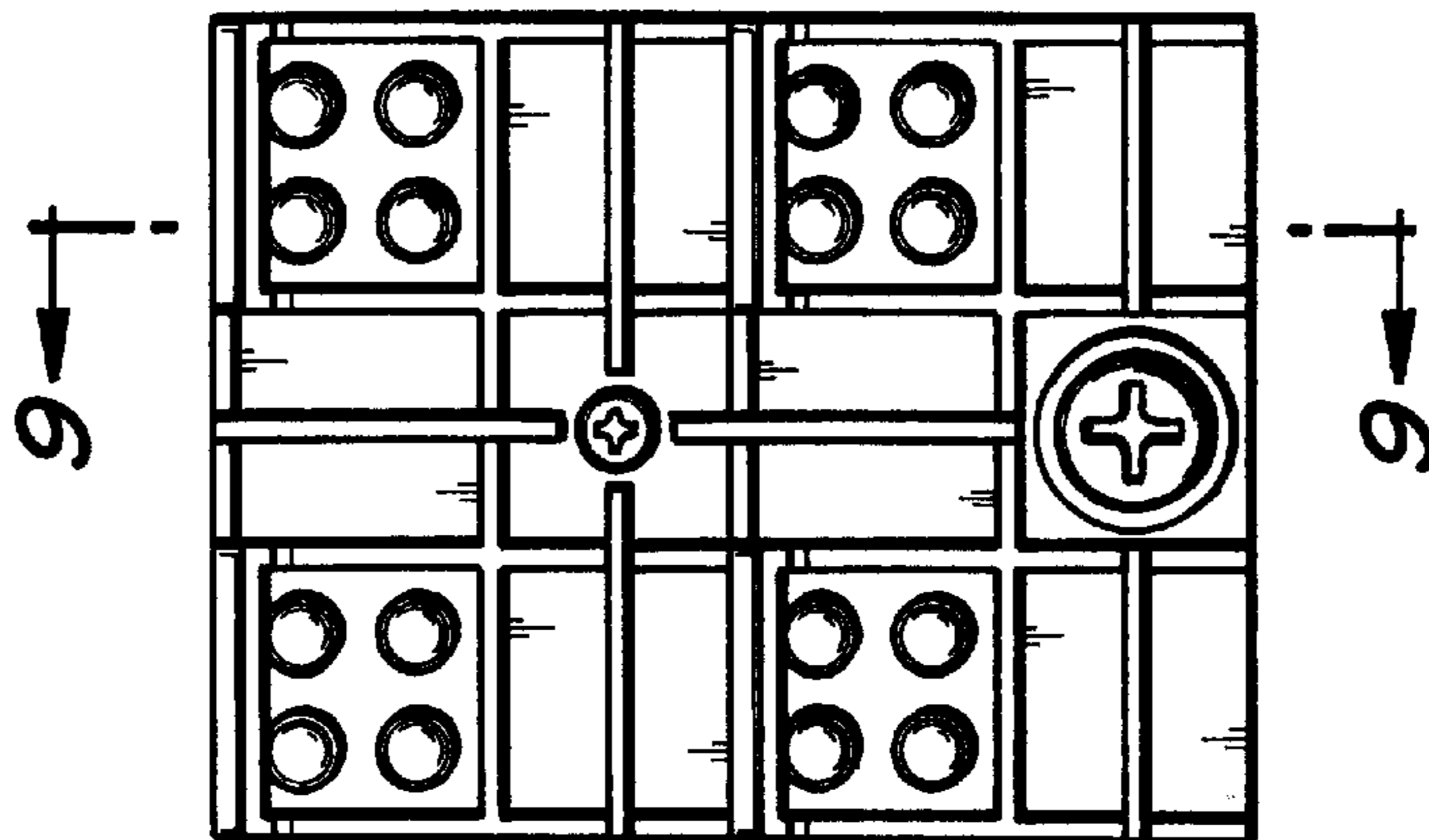


Fig. 10

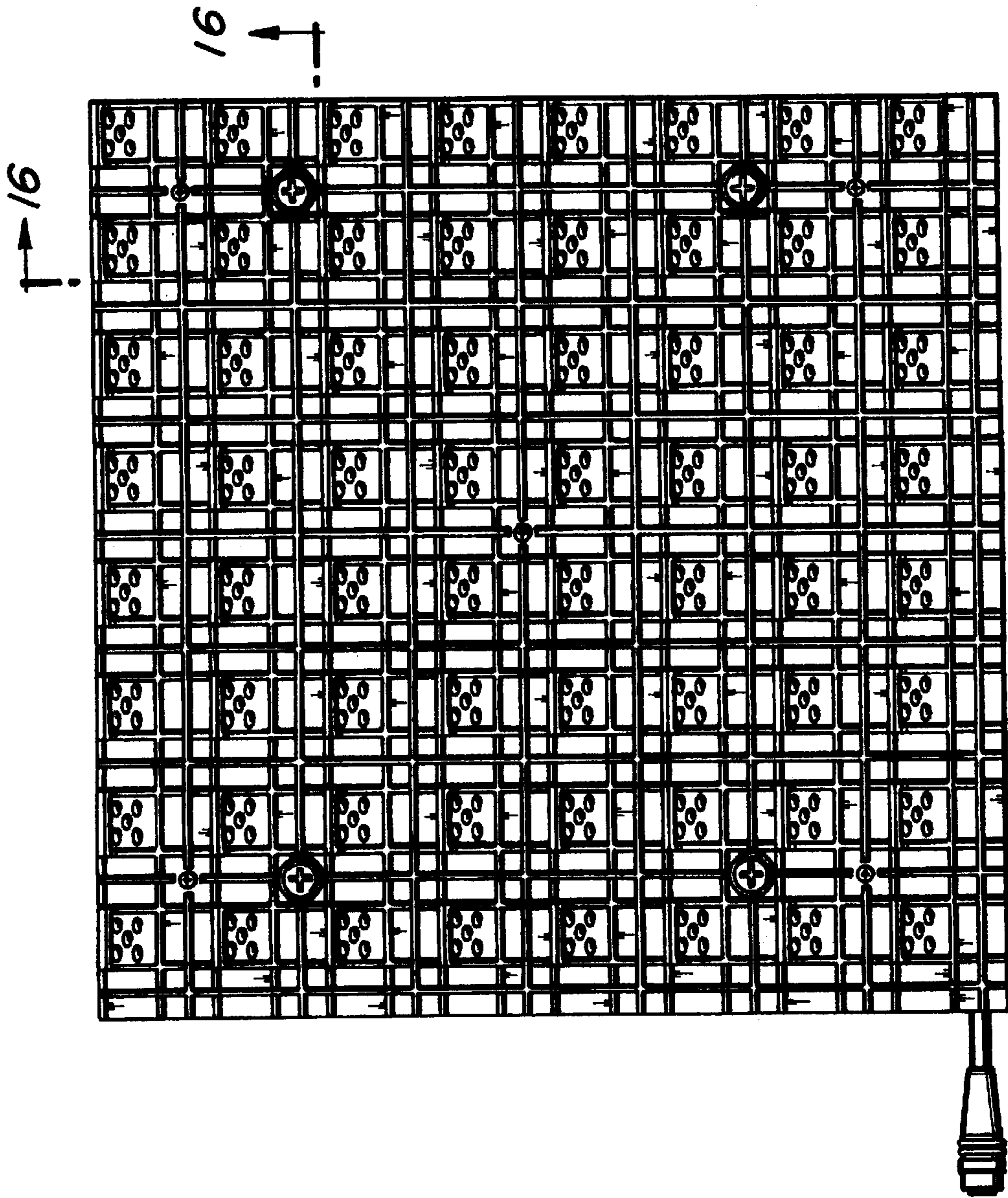


Fig. 11

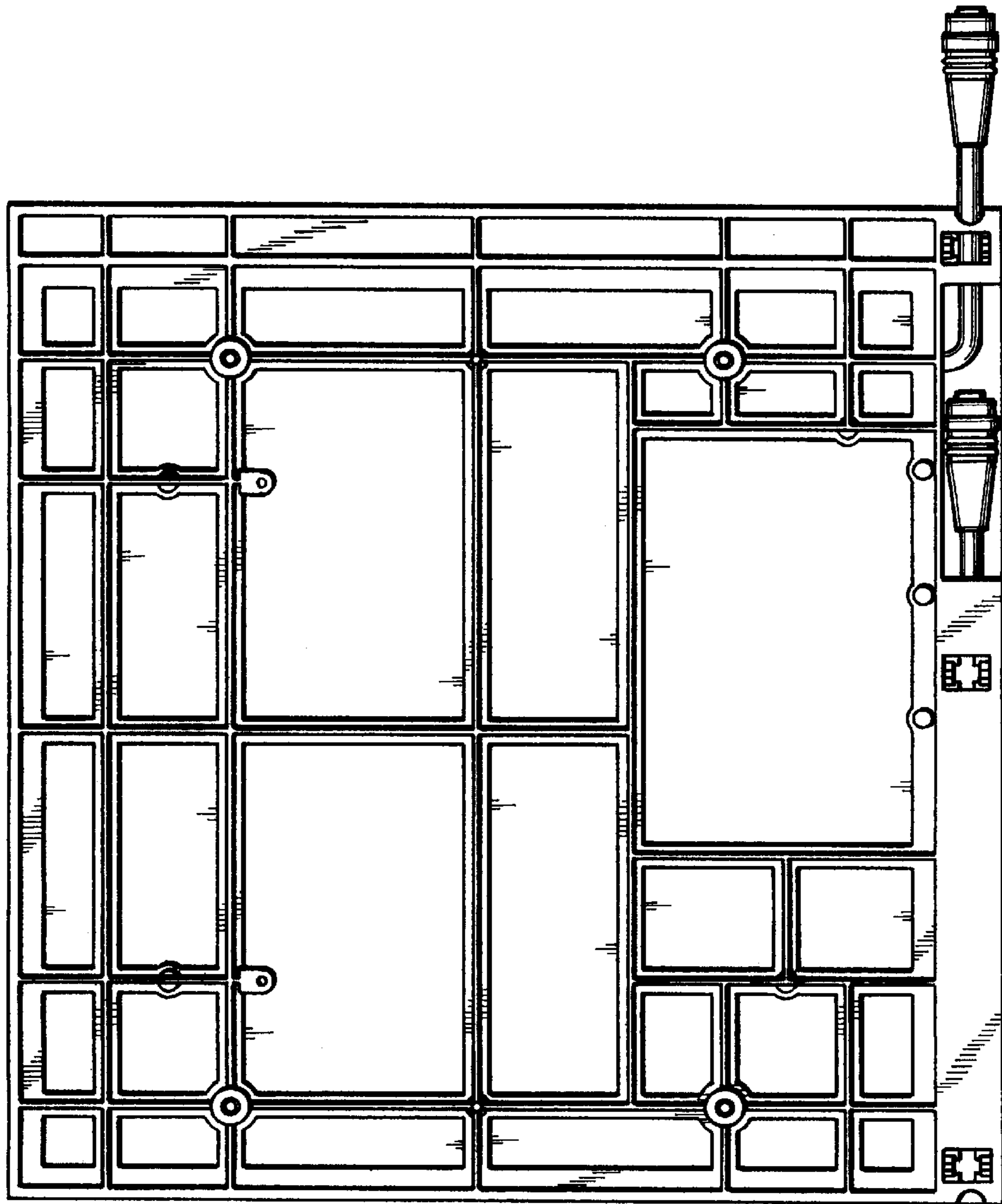


Fig. 12

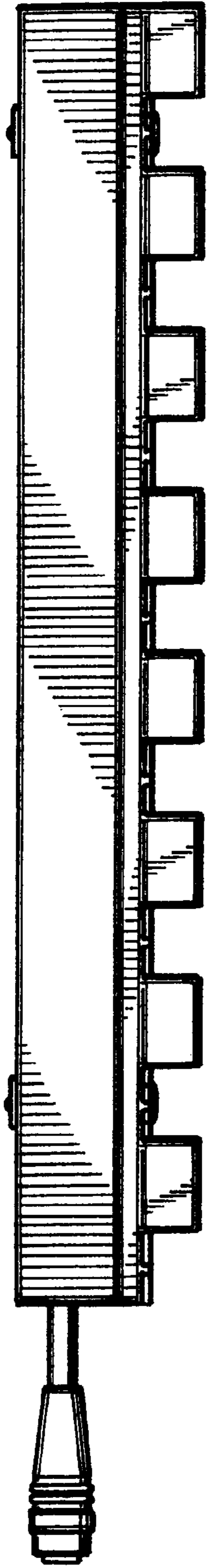


Fig. 13

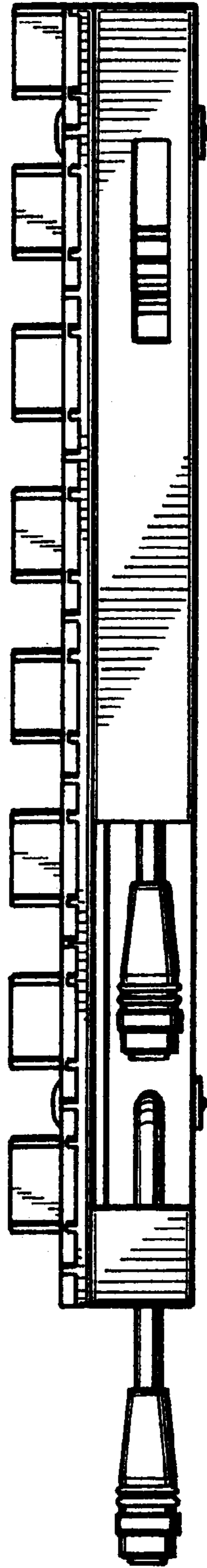


Fig. 15

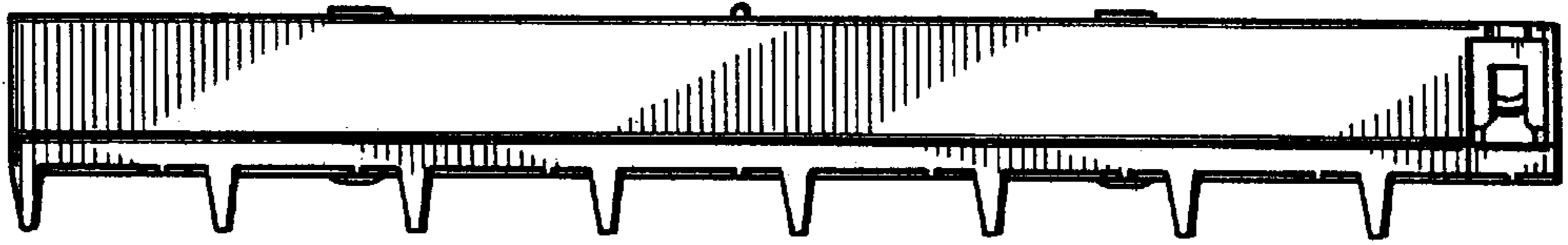


Fig. 14

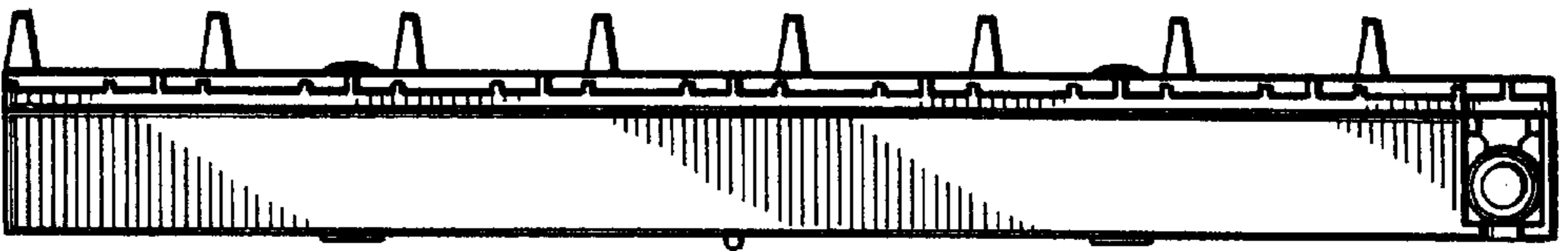


Fig. 18

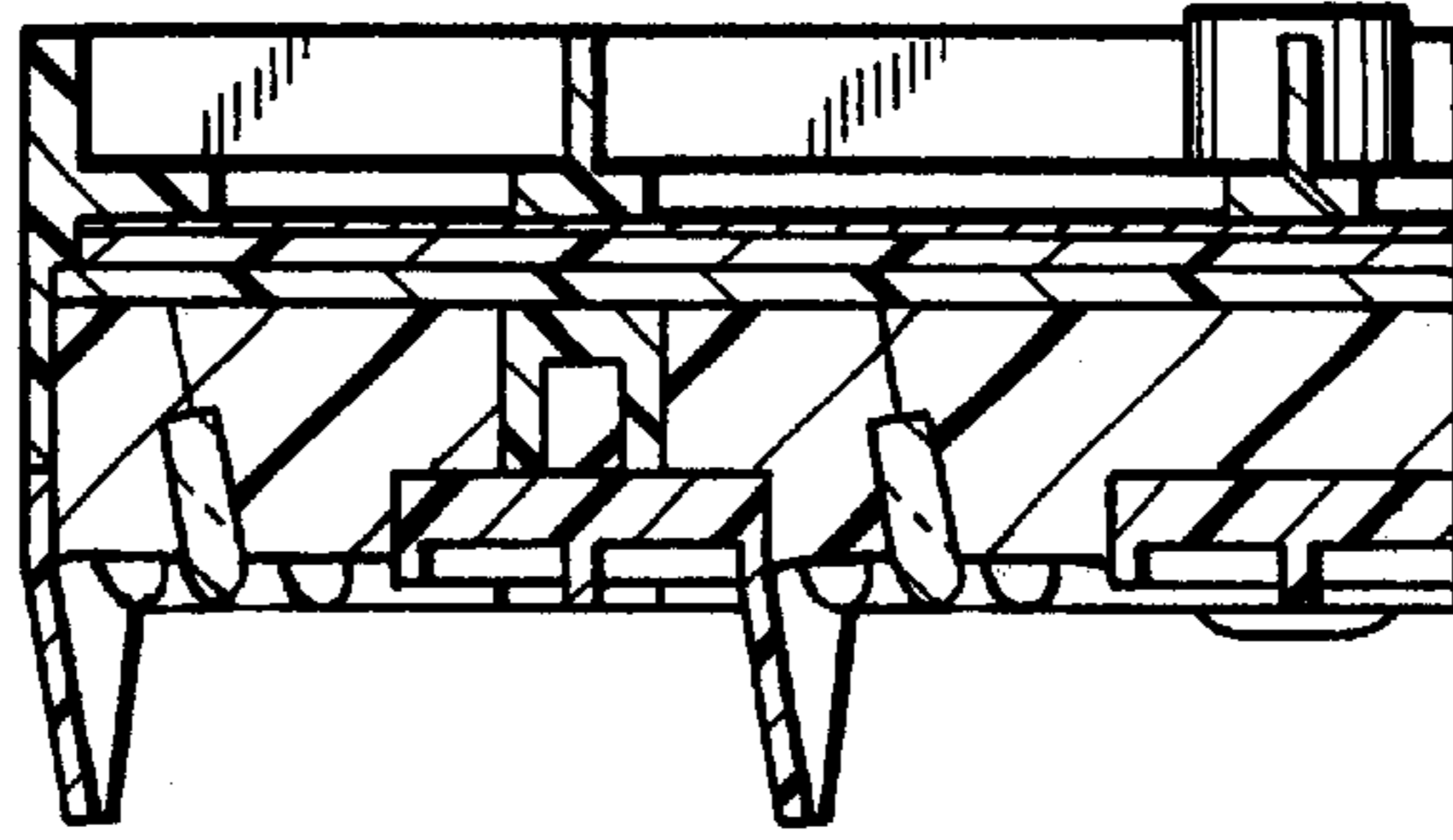


Fig. 17

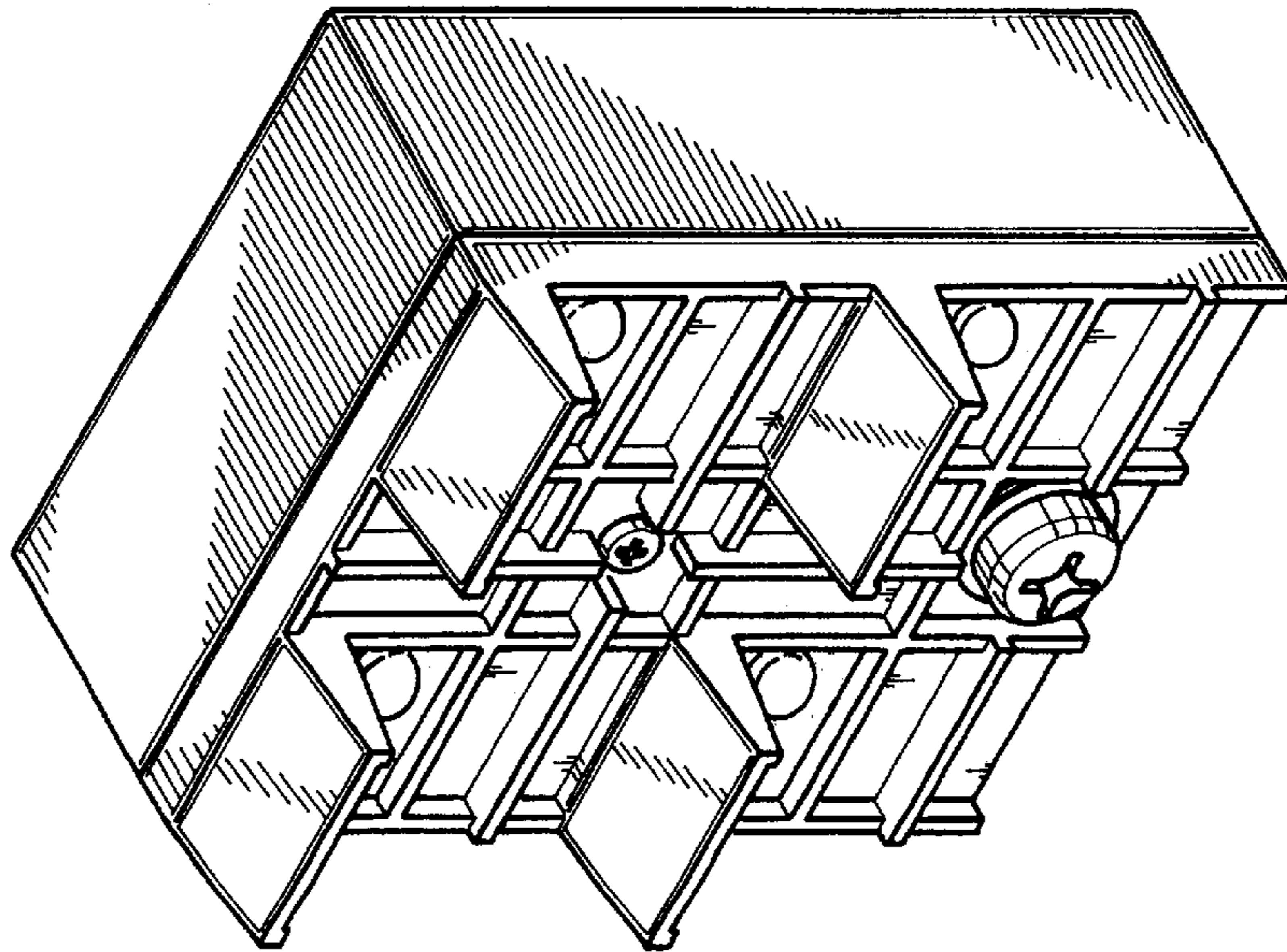


Fig. 16

