



US00D445921S

(12) **United States Design Patent**
Eyring

(10) **Patent No.:** **US D445,921 S**

(45) **Date of Patent:** **** Jul. 31, 2001**

(54) **JOINT COVER AND SEALING DEVICE FOR CONCRETE PANELS**

(75) Inventor: **Kurt S. Eyring**, Centerville, OH (US)

(73) Assignee: **Miller-Valentine Construction Inc.**, Dayton, OH (US)

(**) Term: **14 Years**

(21) Appl. No.: **29/124,378**

(22) Filed: **Jun. 5, 2000**

(51) **LOC (7) Cl.** **25-01**

(52) **U.S. Cl.** **D25/121**

(58) **Field of Search** 52/469, 459, 461, 52/471, 464, 465, 468, 470, 520, 546, 396.04, 396.05, 396.02, 396.08, 392, 393, 394, 802.1, 716.02, 716.6, 716.7, 717.03, 717.05, 718.06, 718.83; D25/164, 199, 121; D8/354; 403/185, 169, 217

(56) **References Cited**

U.S. PATENT DOCUMENTS

D. 388,182 * 12/1997 Payton et al. D25/121

* cited by examiner

Primary Examiner—Doris Clark

(74) *Attorney, Agent, or Firm*—Jacox, Meckstroth & Jenkins

(57) **CLAIM**

The ornamental design of a joint cover and sealing device for concrete panels, as shown and described.

DESCRIPTION

This application claims the benefit of application Ser. No. 09/502,253, filed Feb. 17, 2000, which is a continuation of application Ser. No. 09/059,518, filed Apr. 13, 1998.

FIG. 1 is a perspective view of a joint cover and sealing device for concrete panels showing my new design, with a portion broken away in the center to disclose indefinite length; and,

FIG. 2 is an end view thereof, the opposite end view being the same.

1 Claim, 1 Drawing Sheet

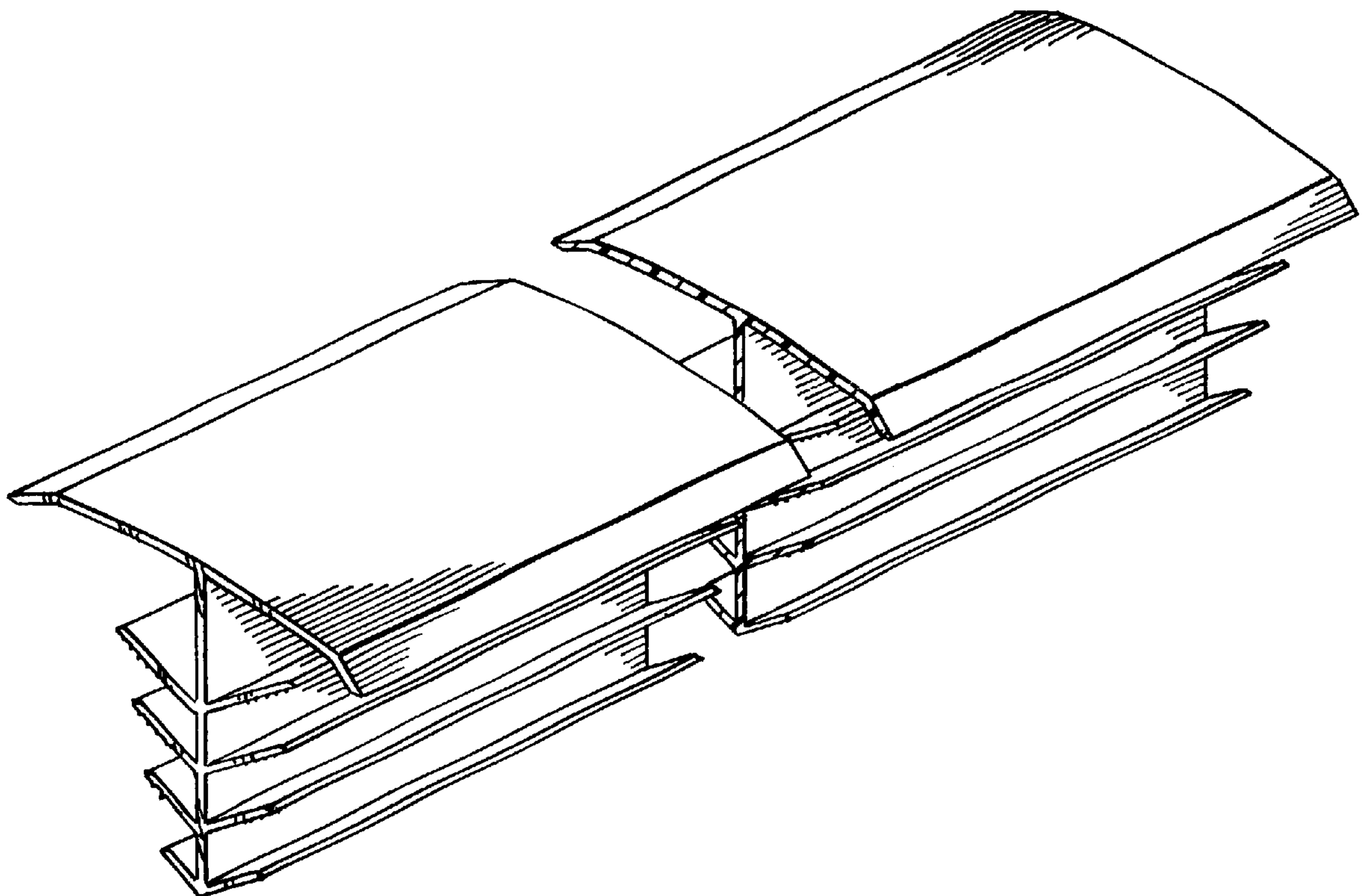


FIG-1

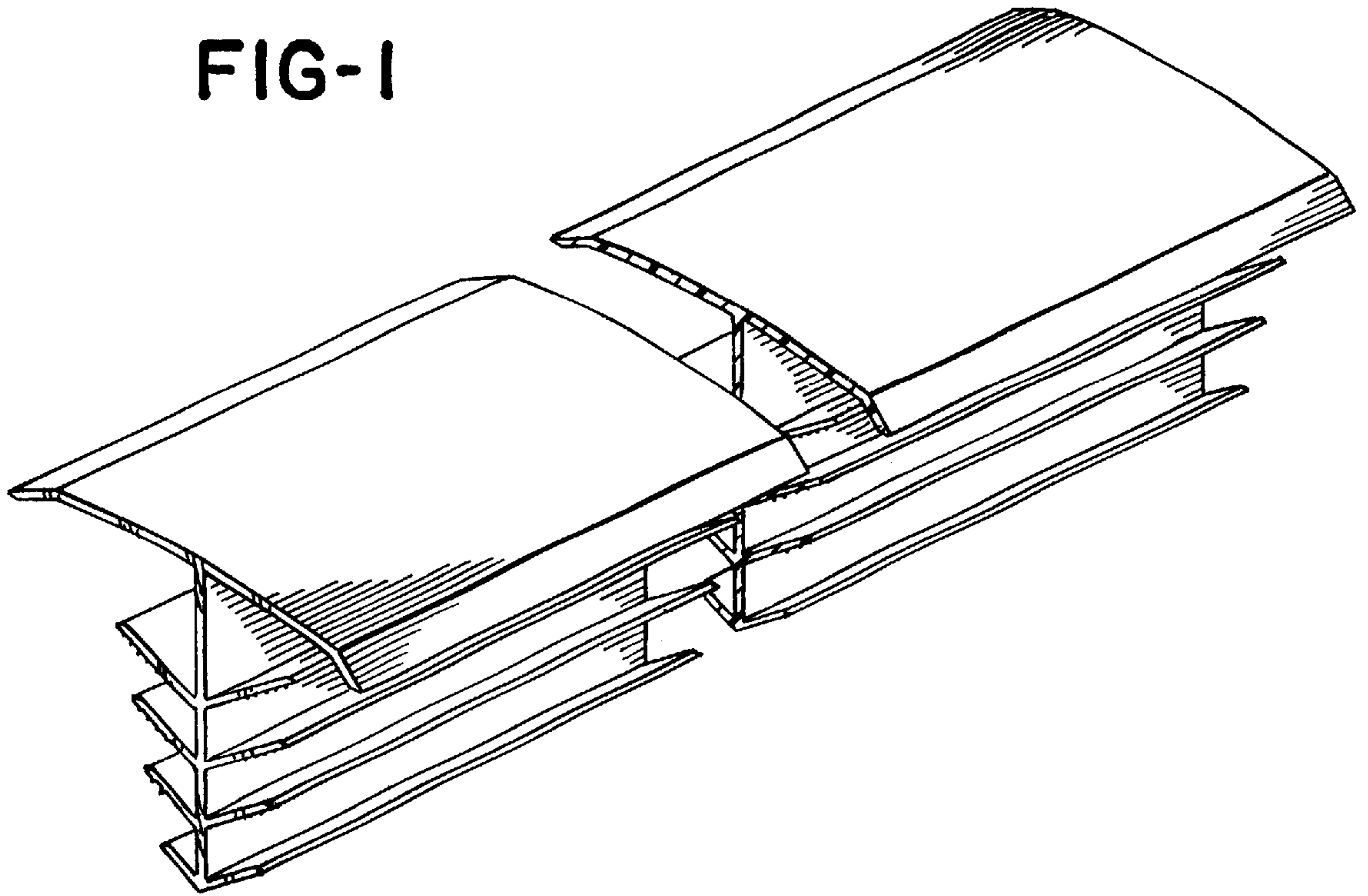


FIG-2

