



US00D445920S

(12) **United States Design Patent**
Payne

(10) **Patent No.:** **US D445,920 S**

(45) **Date of Patent:** **** Jul. 31, 2001**

(54) **PORTABLE SIDEWALK**

5,527,128 6/1996 Rope et al. .
5,833,386 11/1998 Rosan et al. .

(75) Inventor: **Kenneth A. Payne**, P.O. Box 504,
Planterville, MS (US) 38862

* cited by examiner

(73) Assignee: **Kenneth A. Payne**, Planterville, MS
(US)

Primary Examiner—Louis S. Zarfaz
Assistant Examiner—Robert A. Delehanty
(74) *Attorney, Agent, or Firm*—Lanier Ford Shaver &
Payne; Gerald M. Walsh; Frank M. Caprio

(**) Term: **14 Years**

(21) Appl. No.: **29/129,727**

(57) **CLAIM**

(22) Filed: **Sep. 20, 2000**

I claim the ornamental design for a portable sidewalk, as shown and described.

(51) **LOC (7) Cl.** **25-01**

(52) **U.S. Cl.** **D25/113**

(58) **Field of Search** D25/102, 112–118,
D25/164; D21/484–486, 489–491, 500–505;
404/17–21, 32–42; 52/574–579, 596–604,
612

DESCRIPTION

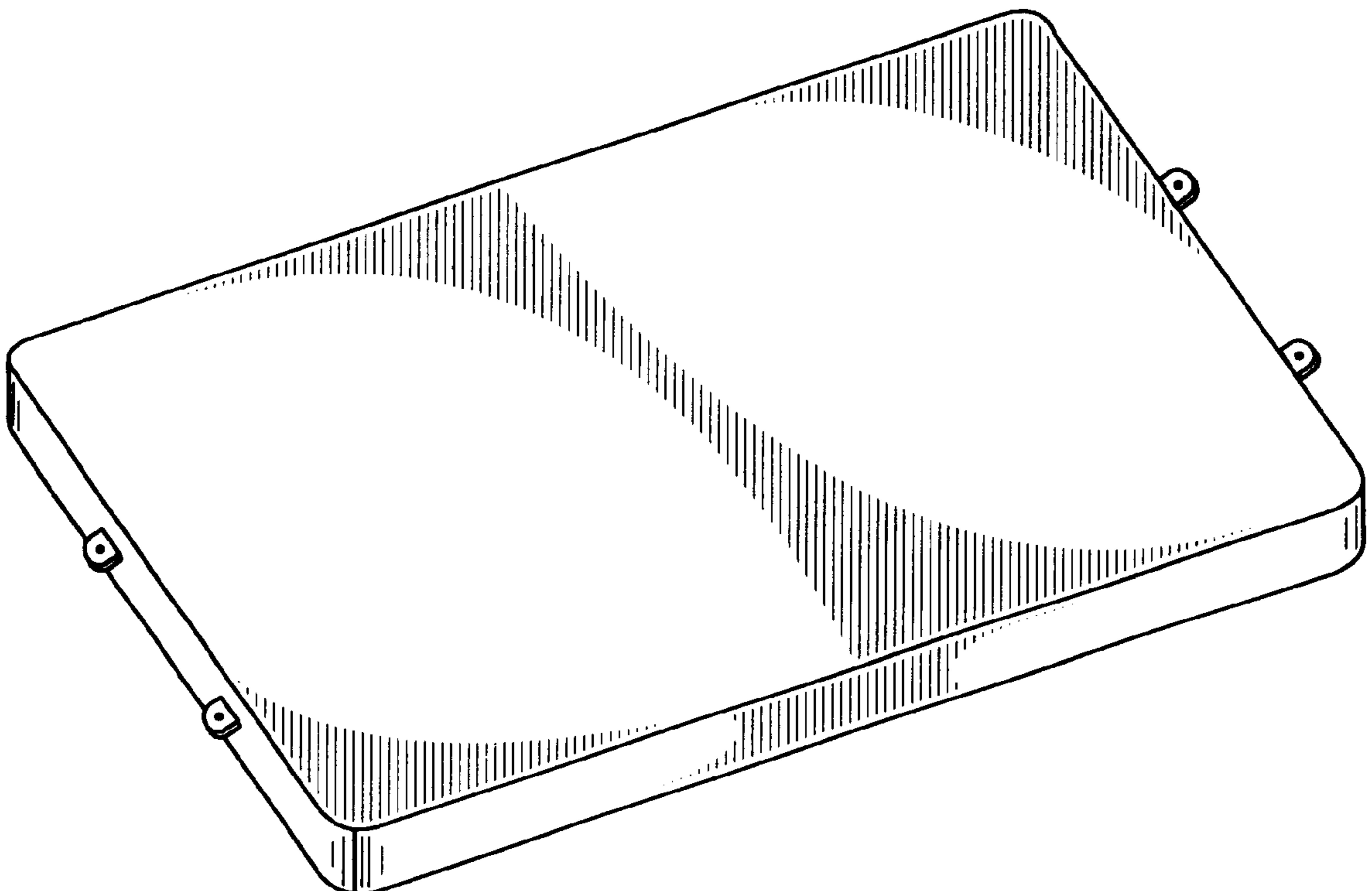
FIG. 1 is a top, front, and left side perspective view of the portable sidewalk of the present invention.
FIG. 2 is a bottom, rear, and left side perspective view of the portable sidewalk of FIG. 1.
FIG. 3 is a front elevation view of the portable sidewalk of FIG. 1.
FIG. 4 is a rear elevation view of the portable sidewalk of FIG. 1.
FIG. 5 is a left side elevation view of the portable sidewalk of FIG. 1.
FIG. 6 is a right side elevation view of the portable sidewalk of FIG. 1.
FIG. 7 is a top plan view of the portable sidewalk of FIG. 1; and,
FIG. 8 is a bottom plan view of the portable sidewalk of FIG. 1.

(56) **References Cited**

U.S. PATENT DOCUMENTS

D. 388,647	1/1998	Odell .	
3,802,144	4/1974	Spica .	
4,376,596	* 3/1983	Green	404/35
4,509,930	* 4/1985	Schweigert et al.	404/40 X
4,596,731	6/1986	Cudmore et al. .	
4,681,482	7/1987	Arciszewski et al. .	
4,826,351	5/1989	Haberhauer et al. .	
4,917,532	4/1990	Haberhauer et al. .	
5,190,799	3/1993	Ellingson .	
5,288,165	2/1994	Dekker .	

1 Claim, 2 Drawing Sheets



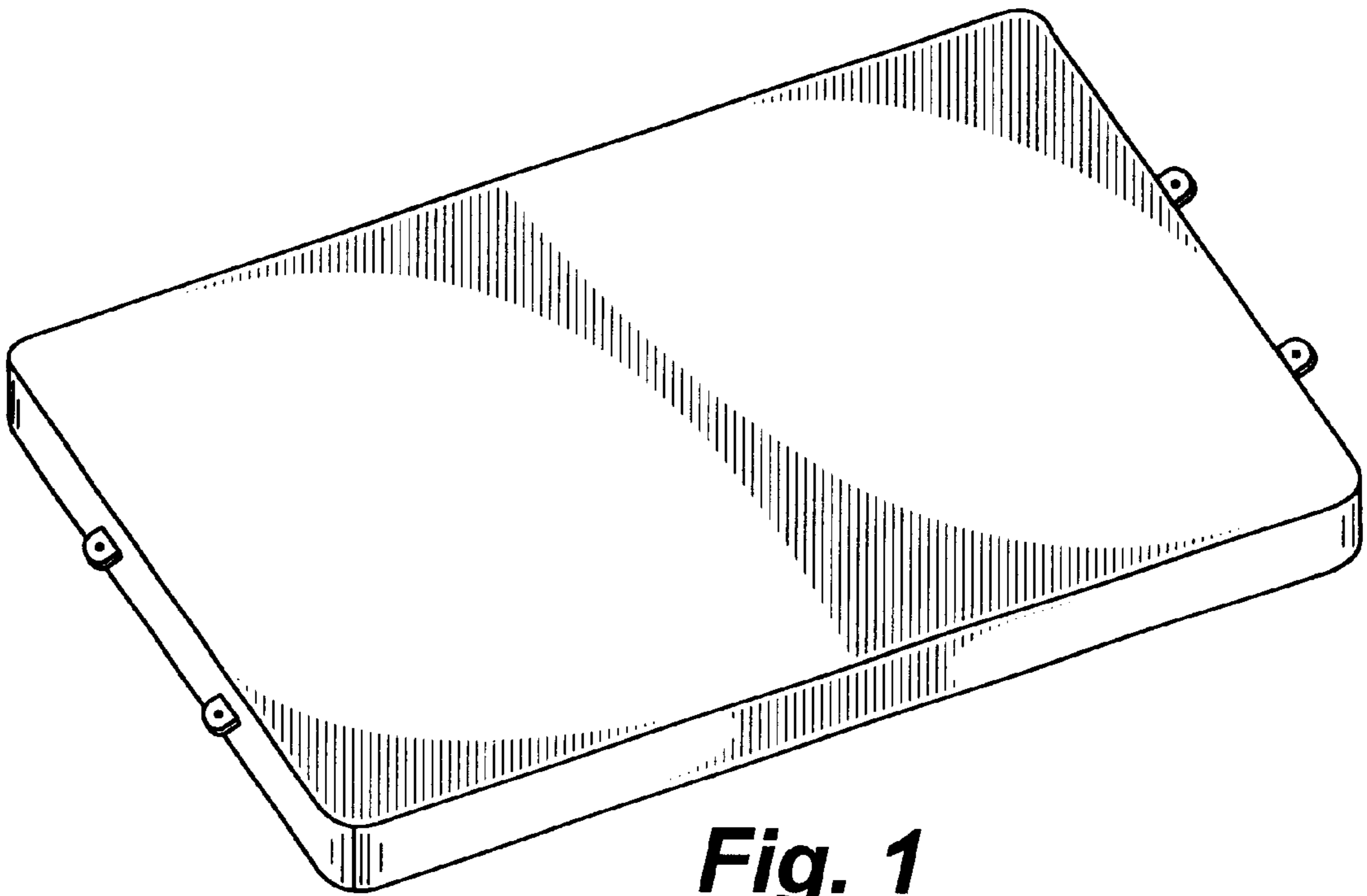


Fig. 1

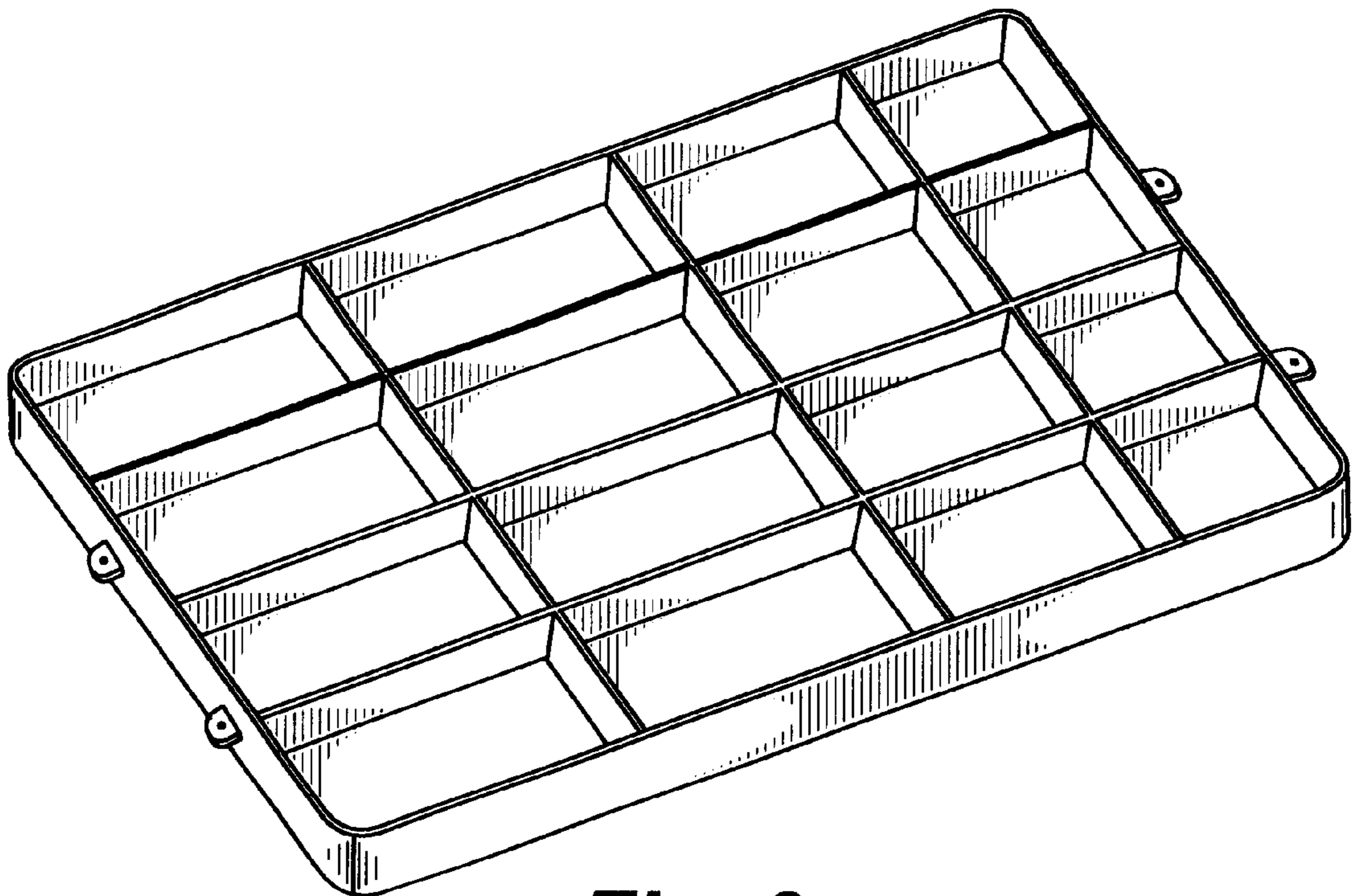


Fig. 2



Fig. 3



Fig. 4



Fig. 5



Fig. 6

Fig. 7

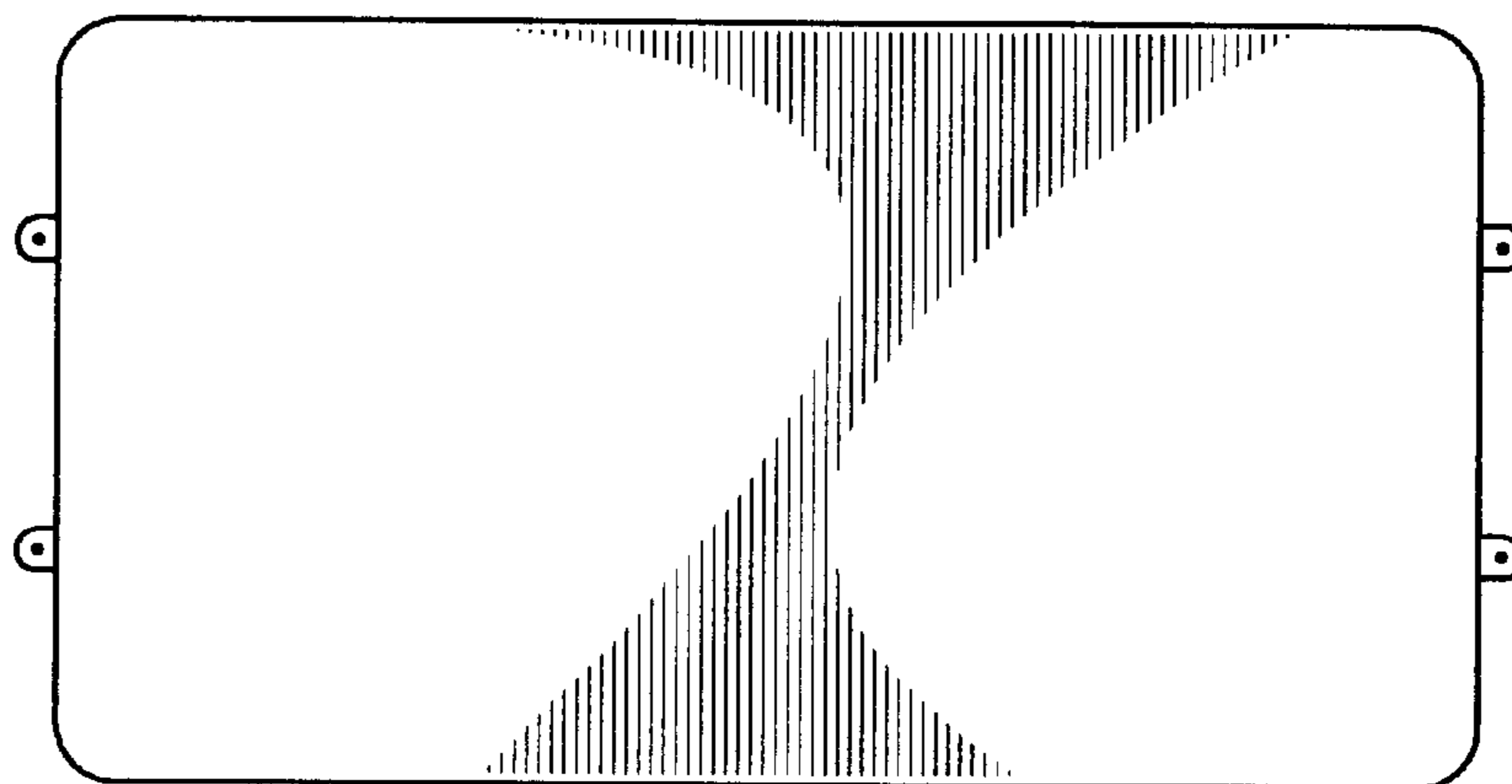


Fig. 8

