



US00D445919S

(12) **United States Design Patent**
Heavner

(10) **Patent No.:** **US D445,919 S**

(45) **Date of Patent:** **** Jul. 31, 2001**

(54) **MASONRY LINE BLOCK**

3,557,505 * 1/1971 Kaul 52/275
4,016,692 * 4/1977 Jordan et al. 52/314

(76) **Inventor:** **Charles Eddie Heavner**, P.O. Box 362,
Cherryville, NC (US) 28021

* cited by examiner

(**) **Term:** **14 Years**

Primary Examiner—Louis S. Zarfes

Assistant Examiner—Robert A. Delehanty

(21) **Appl. No.:** **29/124,096**

(74) *Attorney, Agent, or Firm*—Adams, Schwartz & Evans,
P.A.

(22) **Filed:** **May 31, 2000**

(57) **CLAIM**

(51) **LOC (7) Cl.** **25-01**

I claim the ornamental design for a masonry line block, as shown.

(52) **U.S. Cl.** **D25/113**

(58) **Field of Search** D25/112–118,
D25/199; D21/484–485, 490, 491, 493,
499–500; 52/574, 575, 596–612; 404/34,
37–39, 40–42, 50; 405/284–286

DESCRIPTION

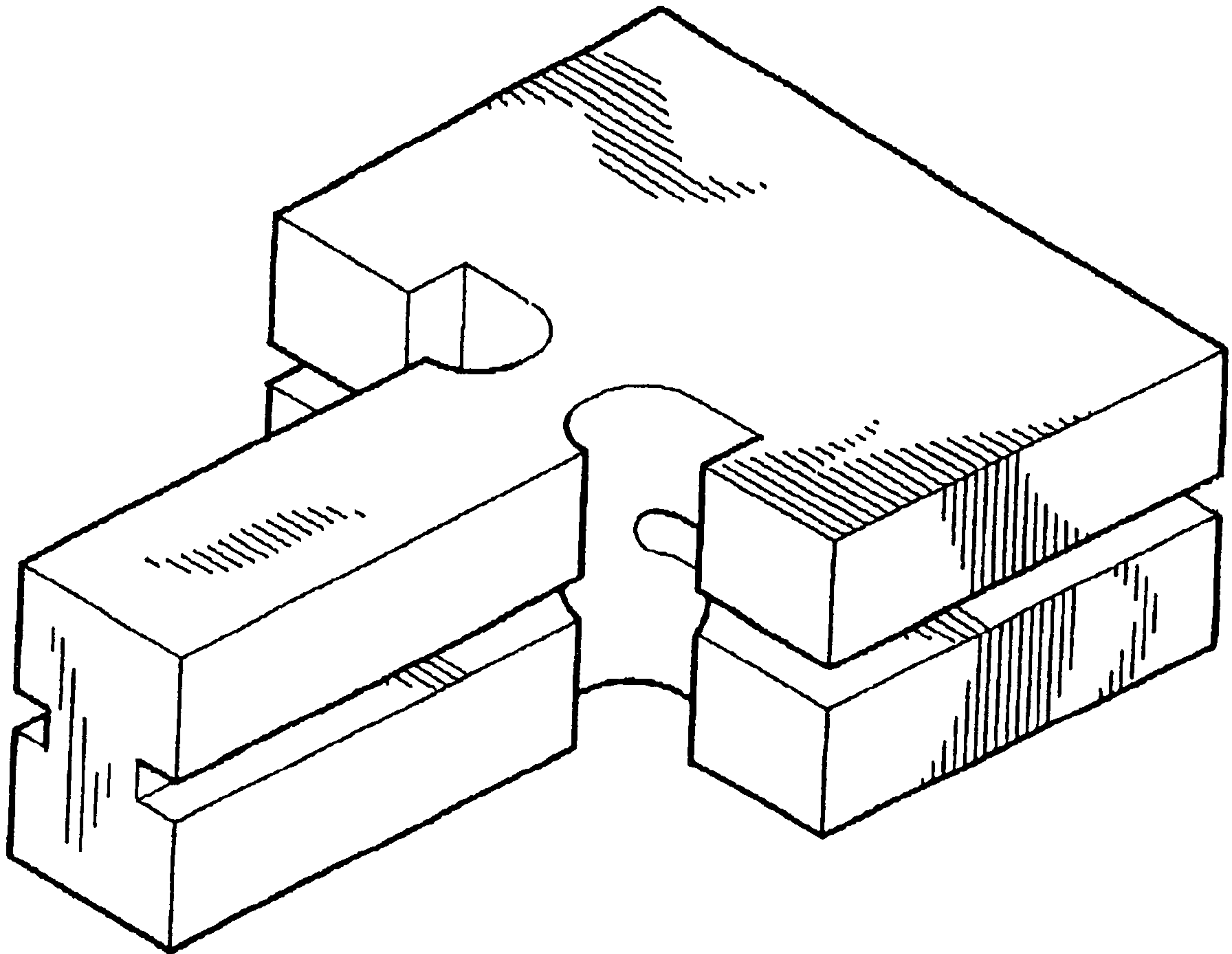
(56) **References Cited**

U.S. PATENT DOCUMENTS

D. 74,198 * 1/1928 Solon D25/113
1,356,590 * 10/1920 Baumann 52/574
1,794,572 * 3/1931 Wyatt 52/596
2,185,497 * 1/1940 Cilento et al. D25/117 X

FIG. 1 is a perspective view of the masonry line block;
FIG. 2 is a top plan view, the bottom plan view being a mirror image thereof;
FIG. 3 is a right side view, the left side view being a mirror image thereof;
FIG. 4 is a front end view thereof; and,
FIG. 5 is a back end view thereof.

1 Claim, 3 Drawing Sheets



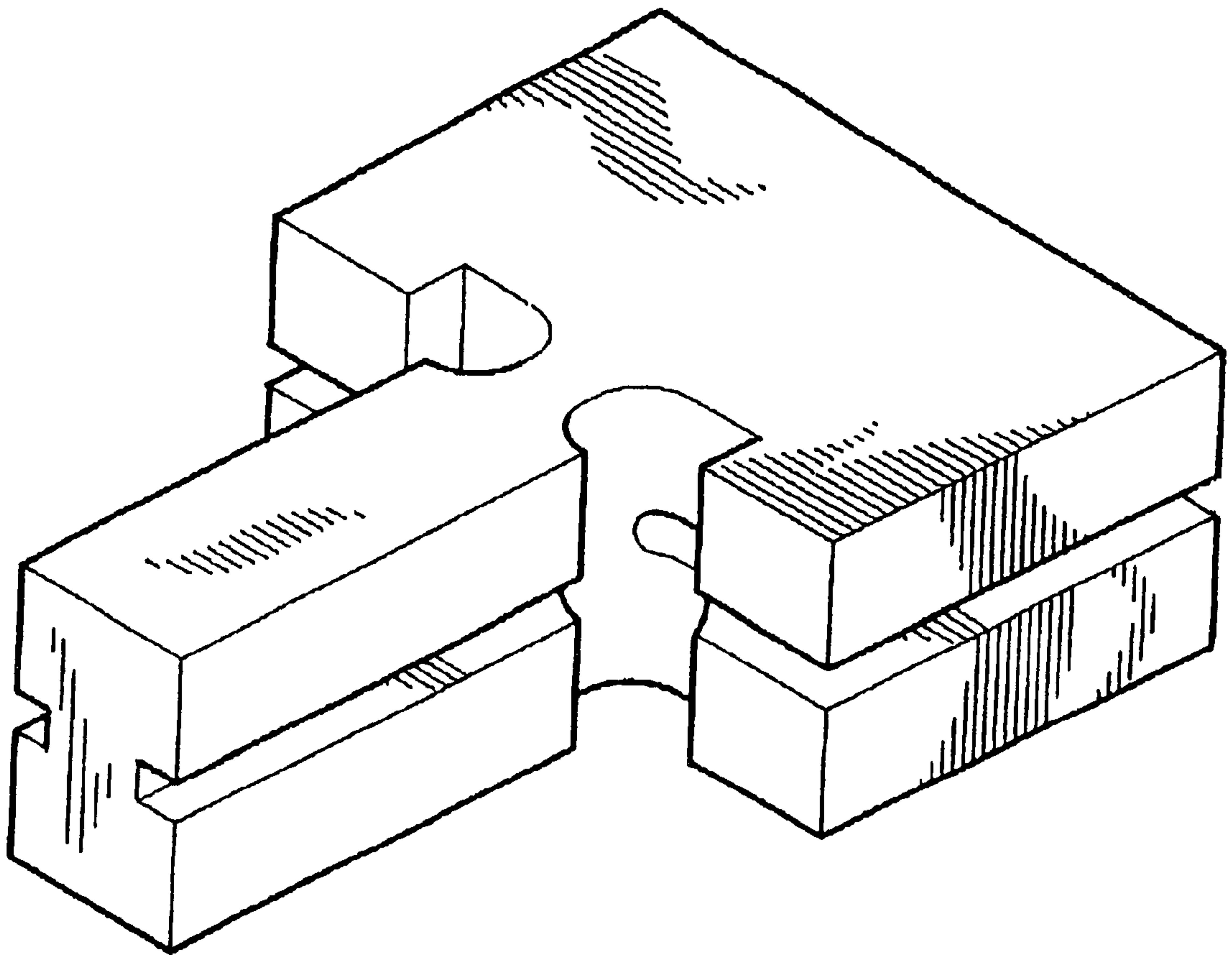


Fig. 1

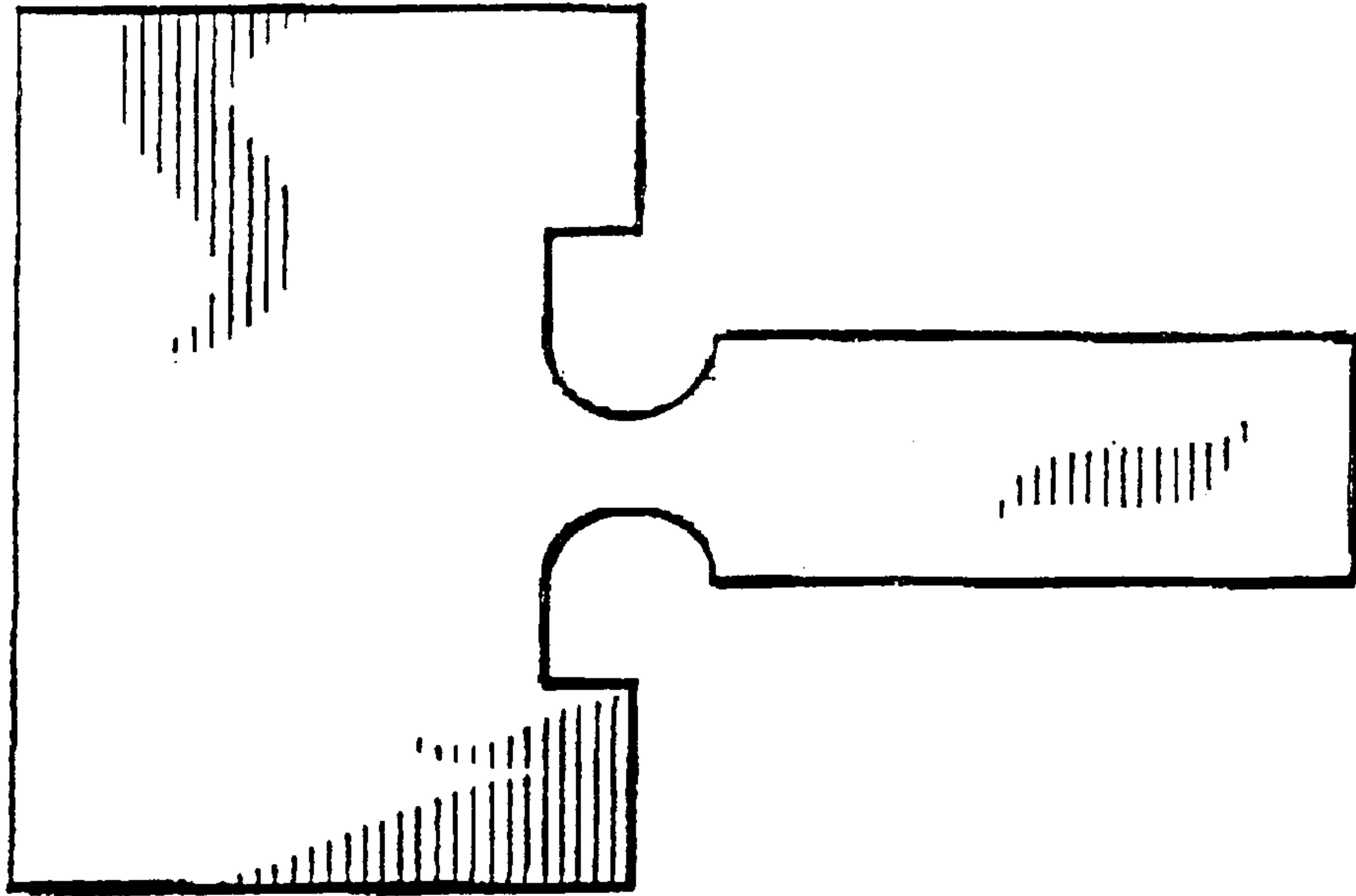


Fig. 2

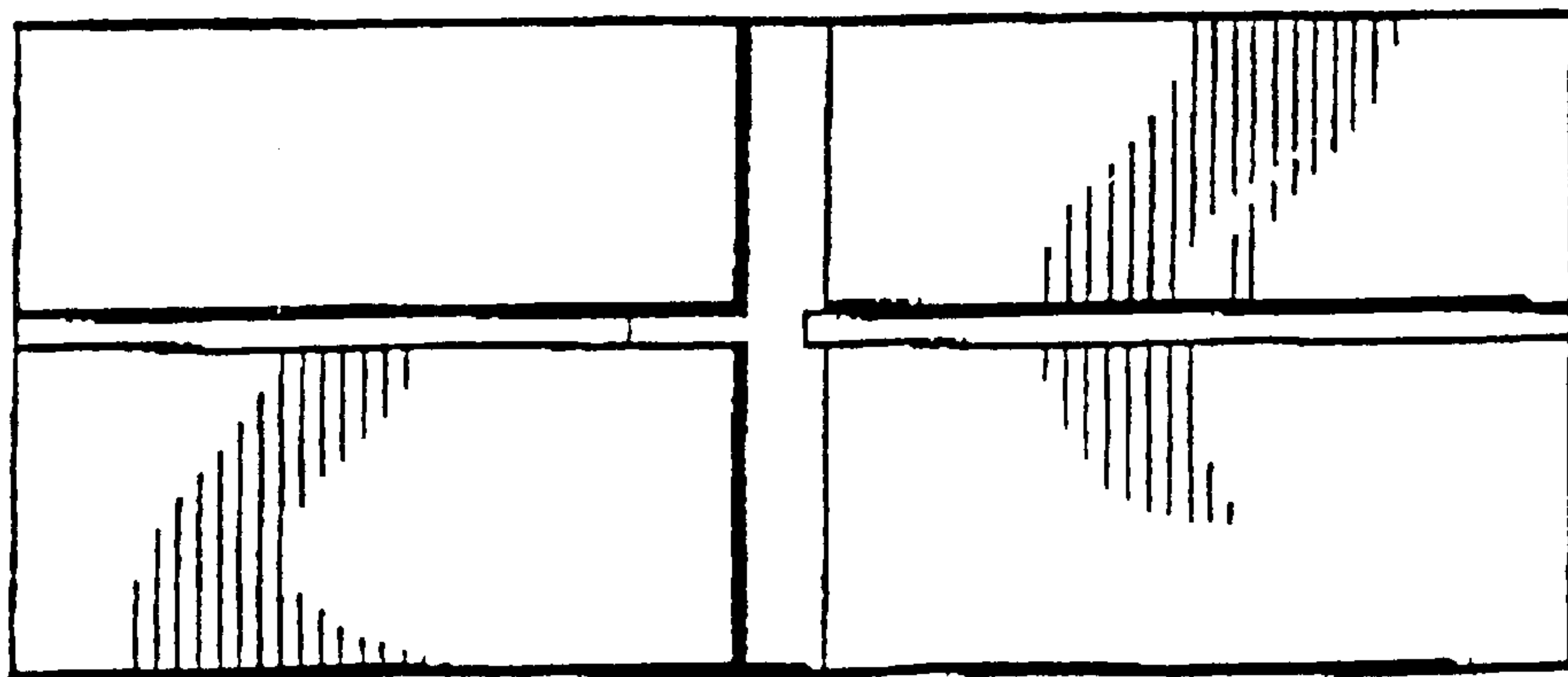


Fig. 3

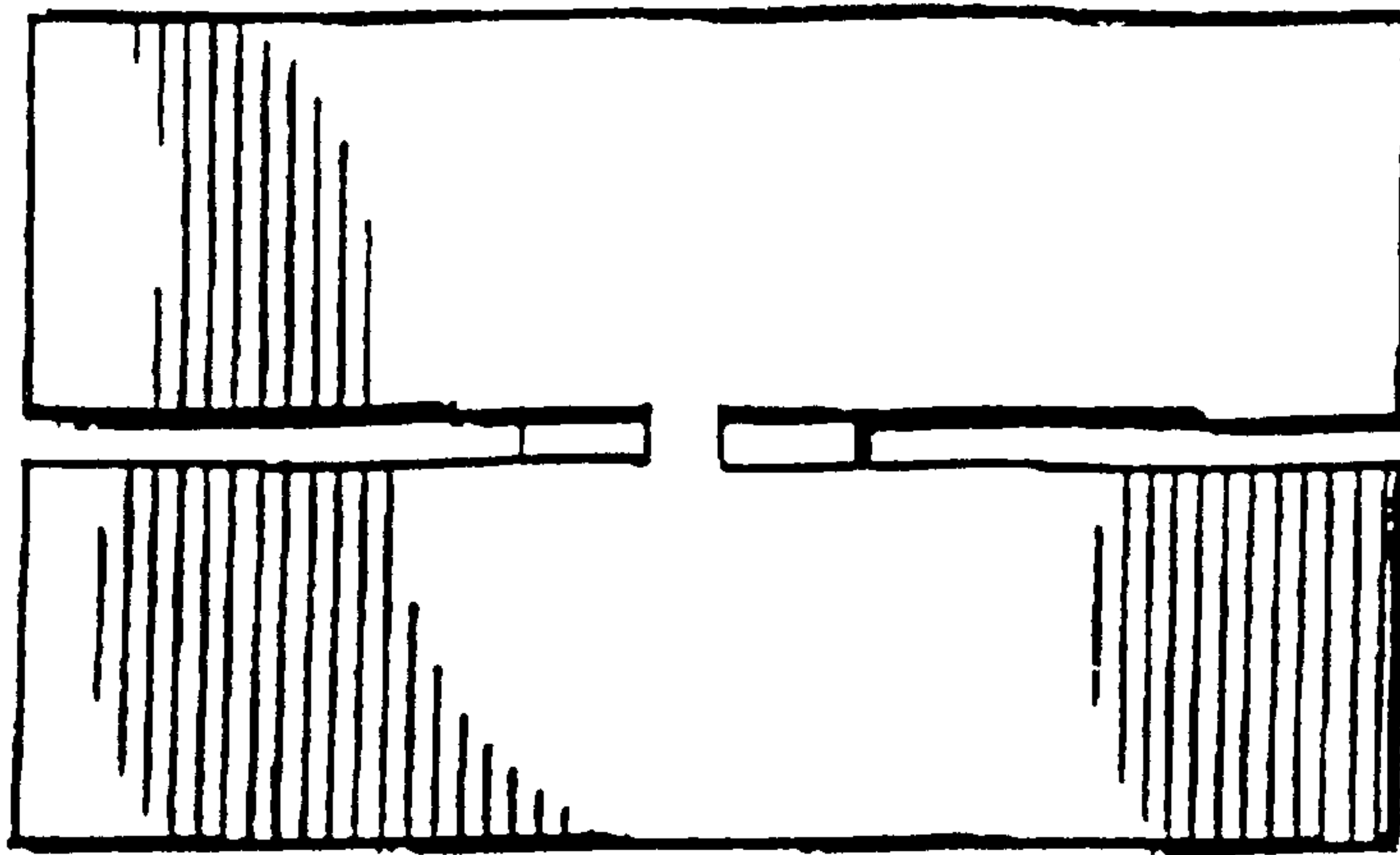


Fig. 4

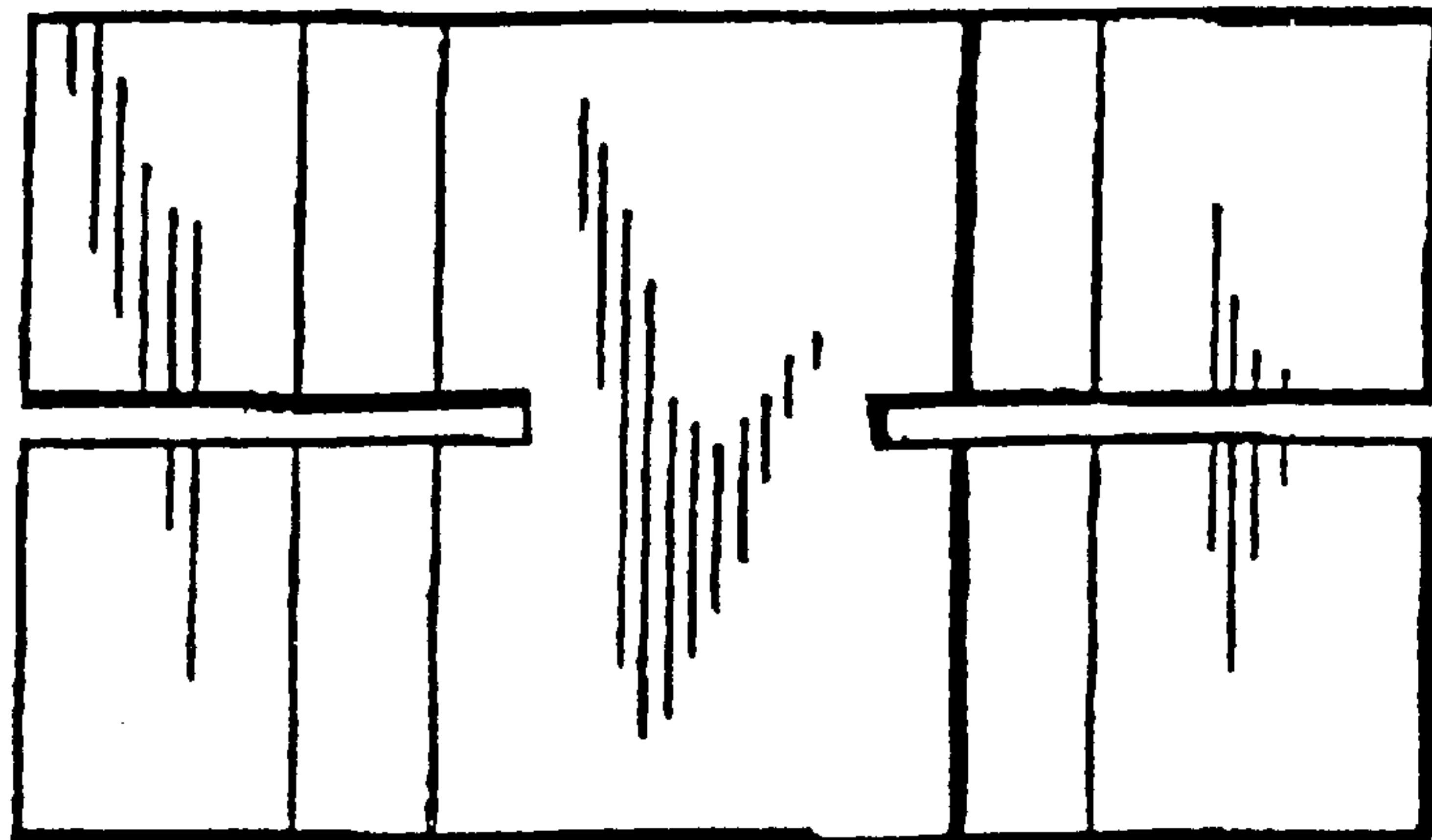


Fig. 5