



US00D445915S

(12) **United States Design Patent**  
**Kirk**

(10) **Patent No.:** **US D445,915 S**

(45) **Date of Patent:** **\*\* Jul. 31, 2001**

(54) **CAT FLAP**

D. 400,265 \* 10/1998 Davlantes ..... D25/48  
5,701,702 \* 12/1997 Reid et al. .... 49/169

(75) Inventor: **Christopher Peter Kirk**, Surrey (GB)

\* cited by examiner

(73) Assignee: **Pet Mate Limited**, Surrey (GB)

*Primary Examiner*—Doris Clark

(\*\*) Term: **14 Years**

(74) *Attorney, Agent, or Firm*—McDermott, Will & Emery

(21) Appl. No.: **29/129,336**

(57) **CLAIM**

(22) Filed: **Sep. 14, 2000**

The ornamental design for a cat flap, as shown and described.

(30) **Foreign Application Priority Data**

**DESCRIPTION**

Apr. 6, 2000 (GB) ..... 2091995

(51) **LOC (7) Cl.** ..... **25-02**

(52) **U.S. Cl.** ..... **D25/48**

(58) **Field of Search** ..... D25/48; 49/169,  
49/168, 173; 119/19, 16, 17, 18; 160/180;  
D30/119, 199

FIG. 1 is a front view of the cat flap according to the present invention;

FIG. 2 is a rear view of the present invention;

FIG. 3 is a front perspective view of the present invention;

FIG. 4 is a rear perspective view of the present invention;

FIG. 5 is an end view of the present invention; and,

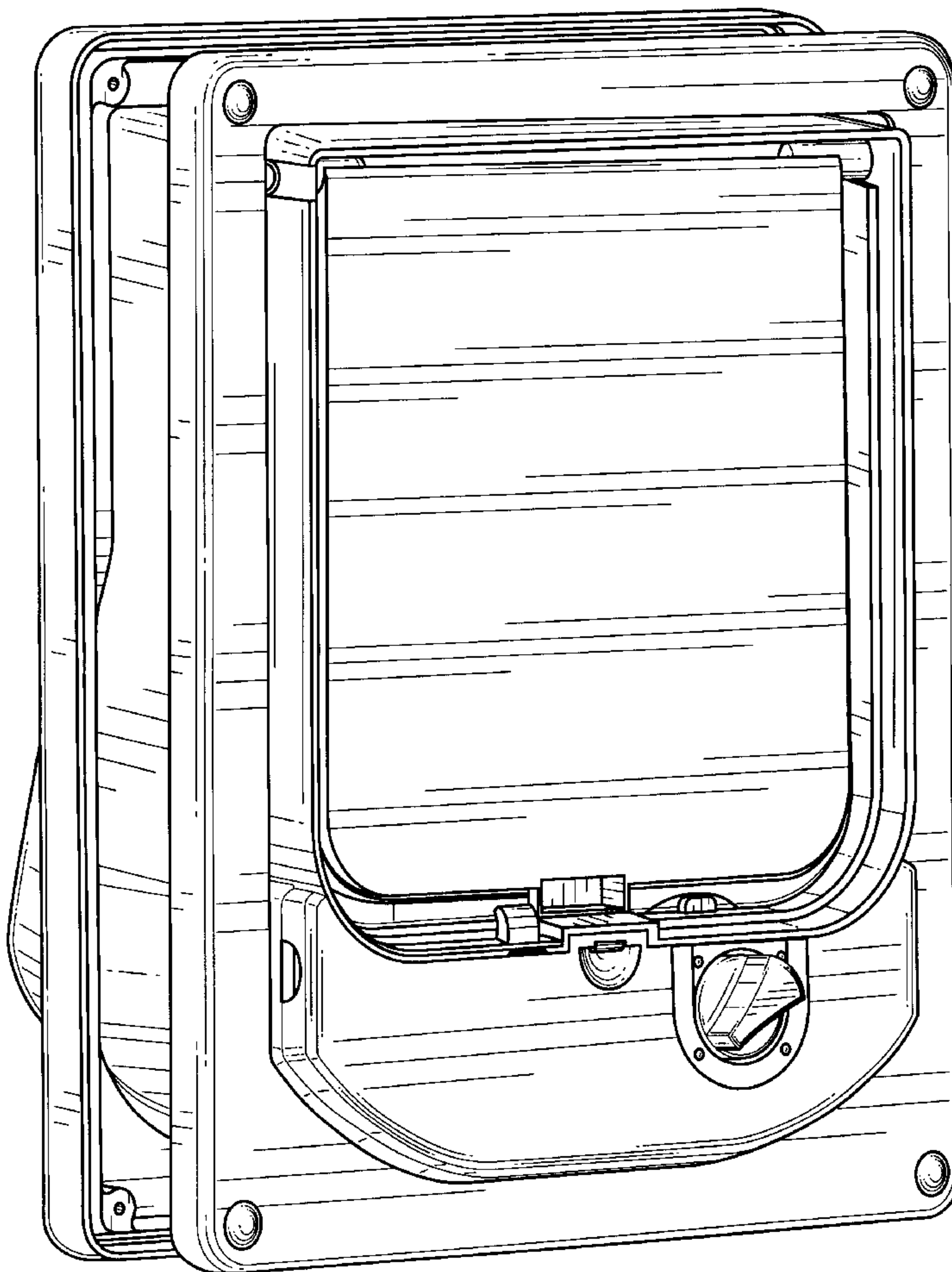
FIG. 6 is a top plan view of the present invention.

(56) **References Cited**

**U.S. PATENT DOCUMENTS**

D. 326,914 \* 6/1992 Kirk ..... D25/48

**1 Claim, 6 Drawing Sheets**



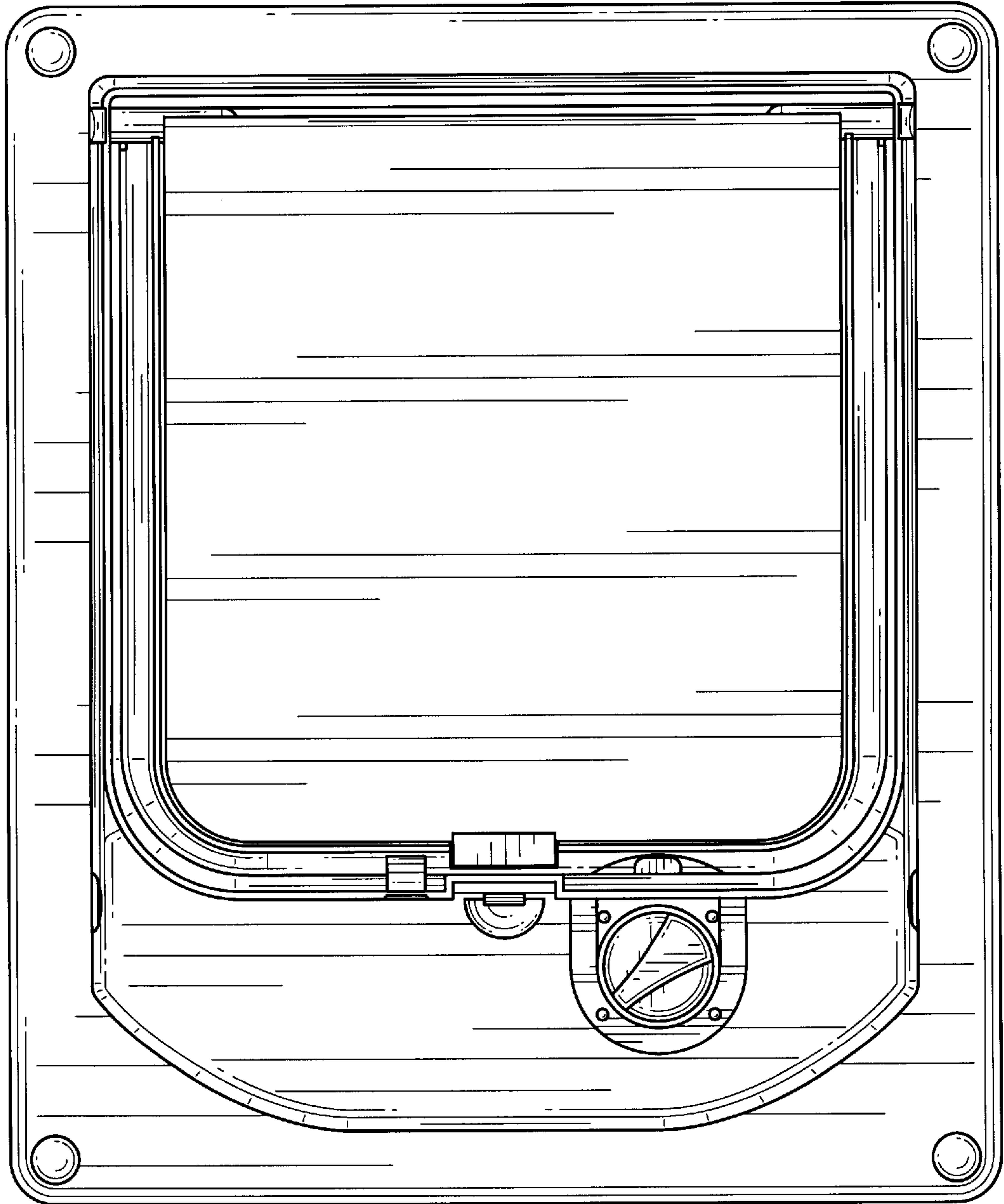


FIG. 1

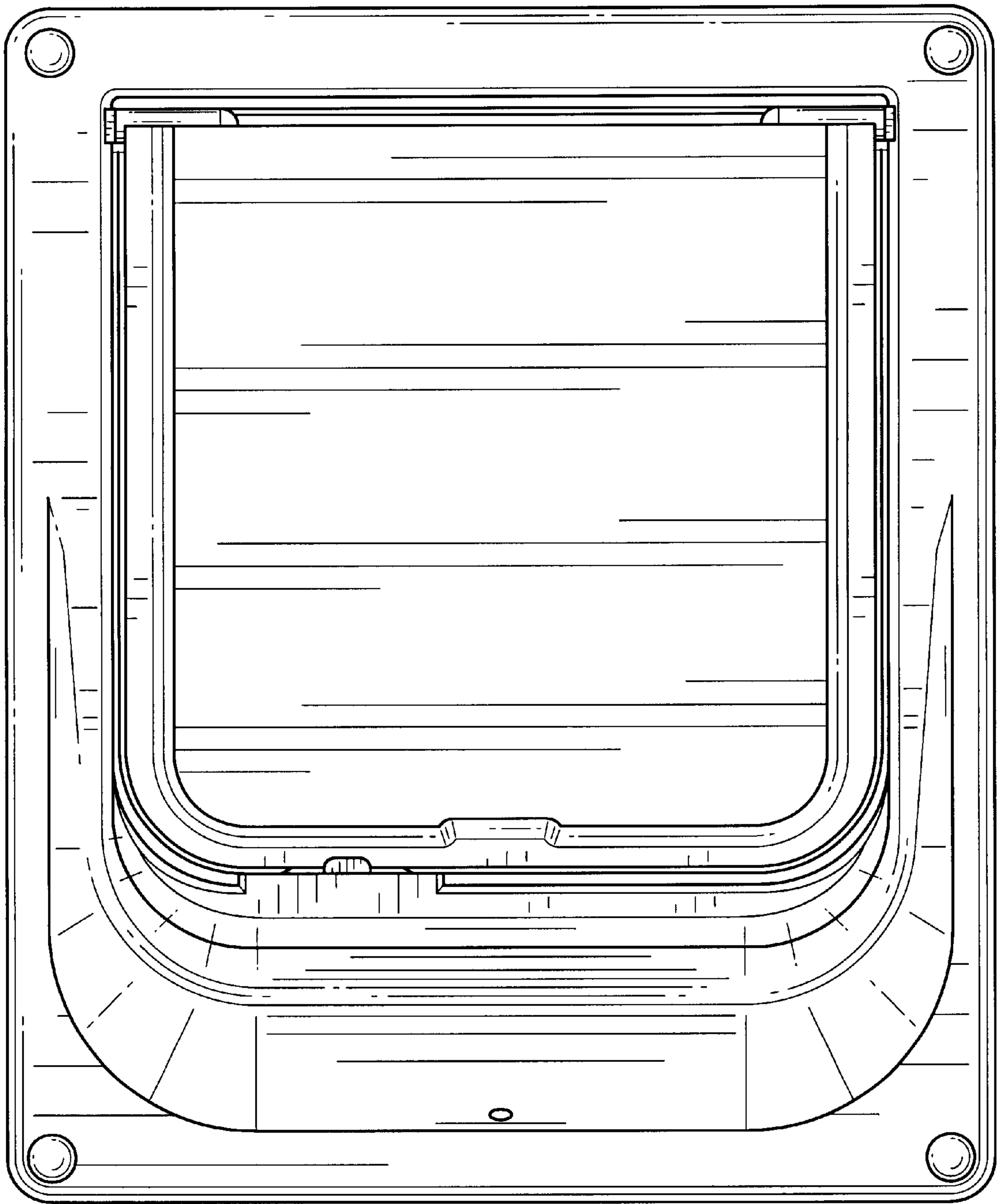


FIG. 2

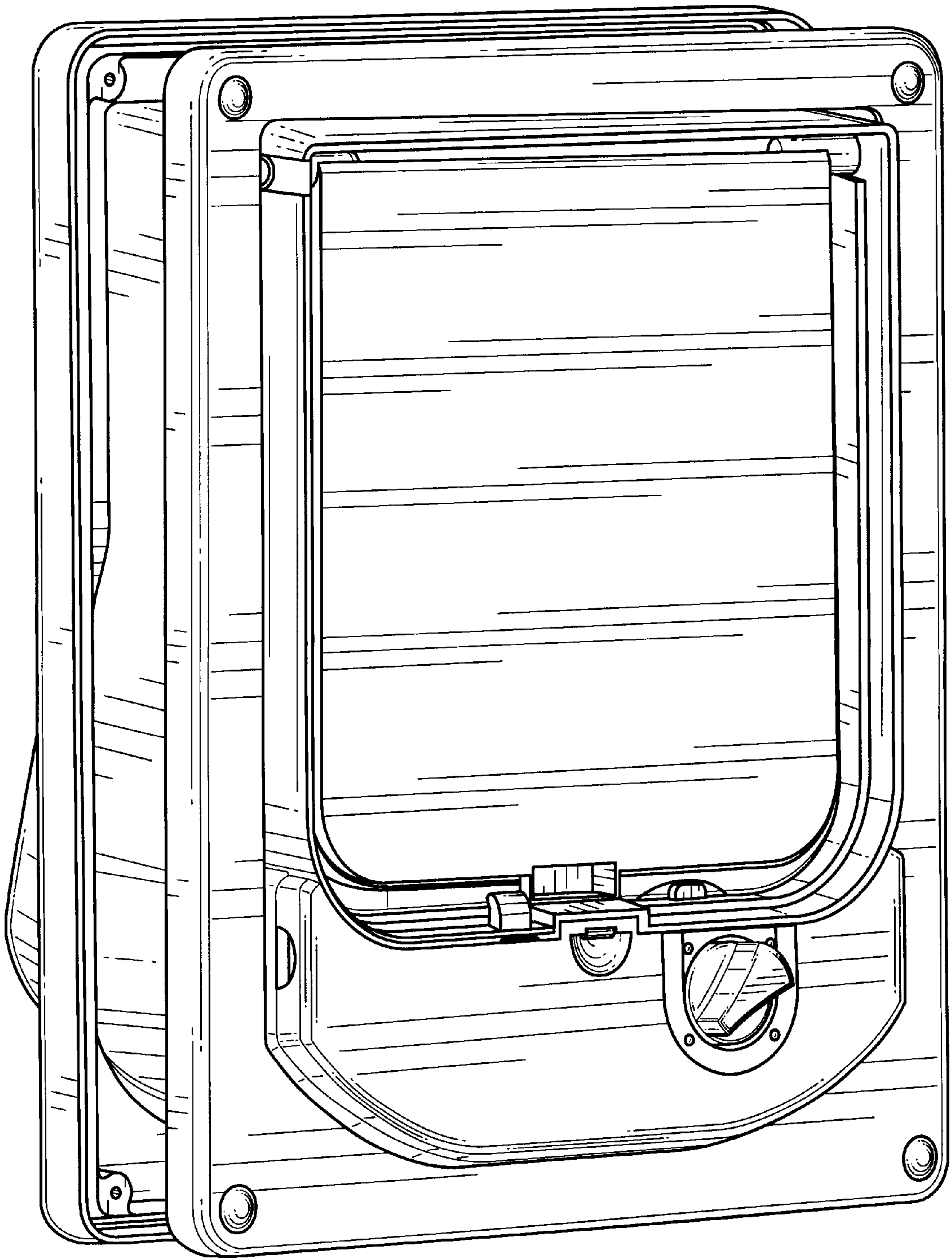


FIG. 3

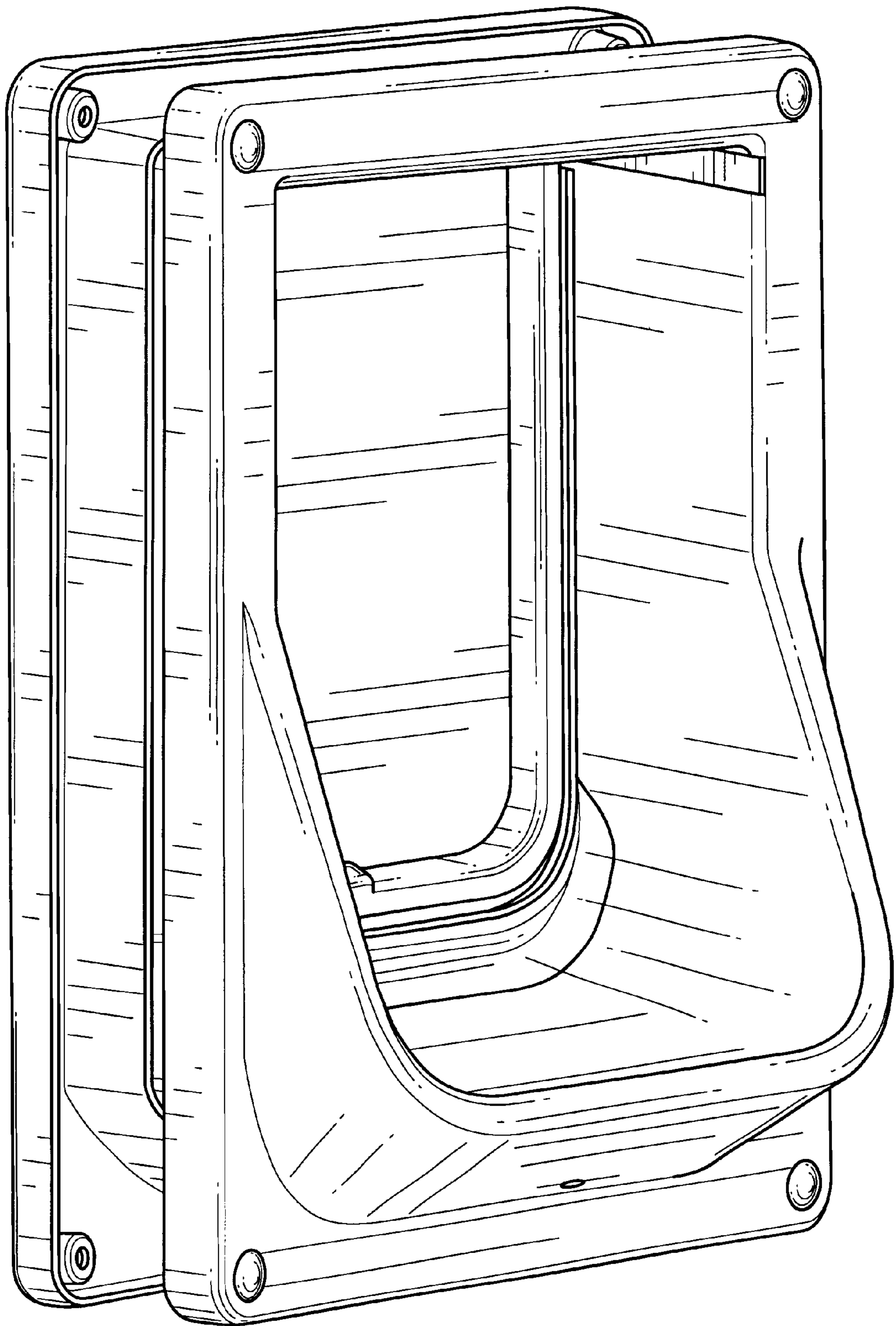


FIG. 4

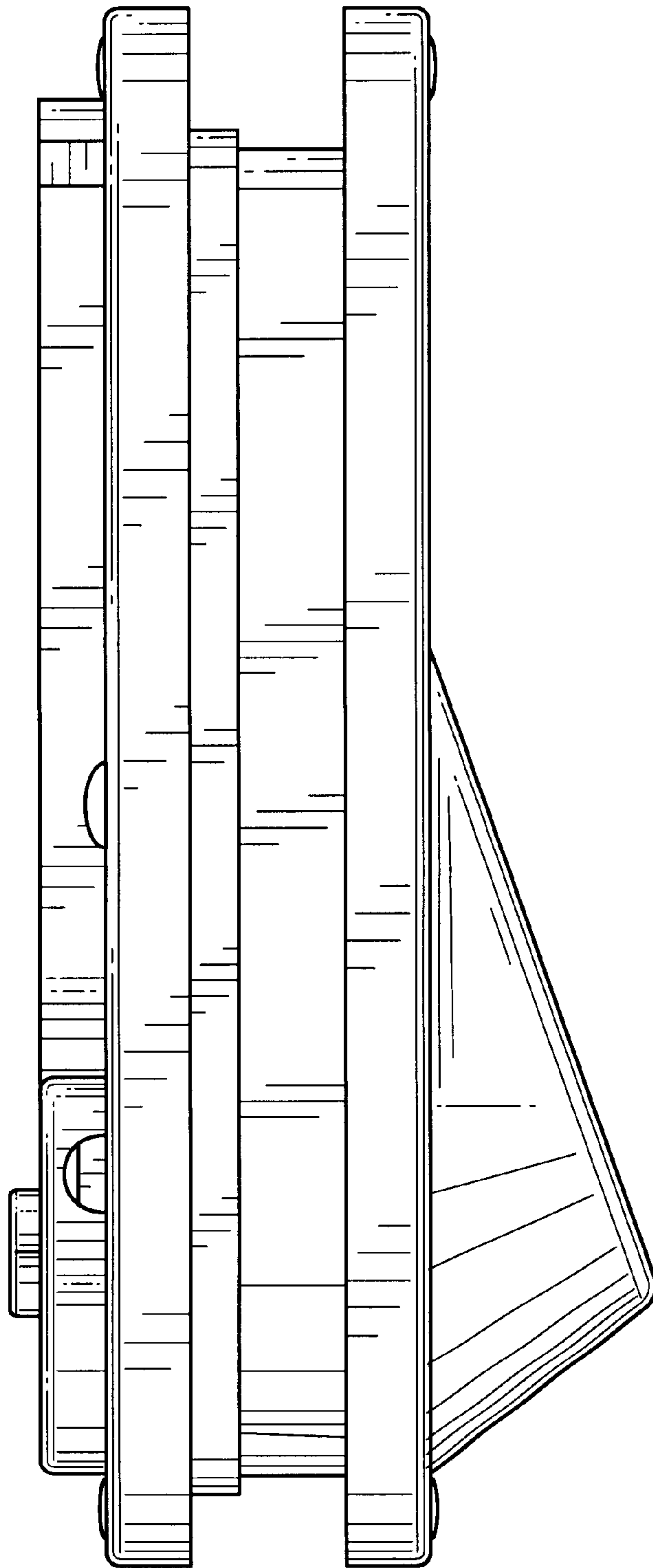


FIG. 5



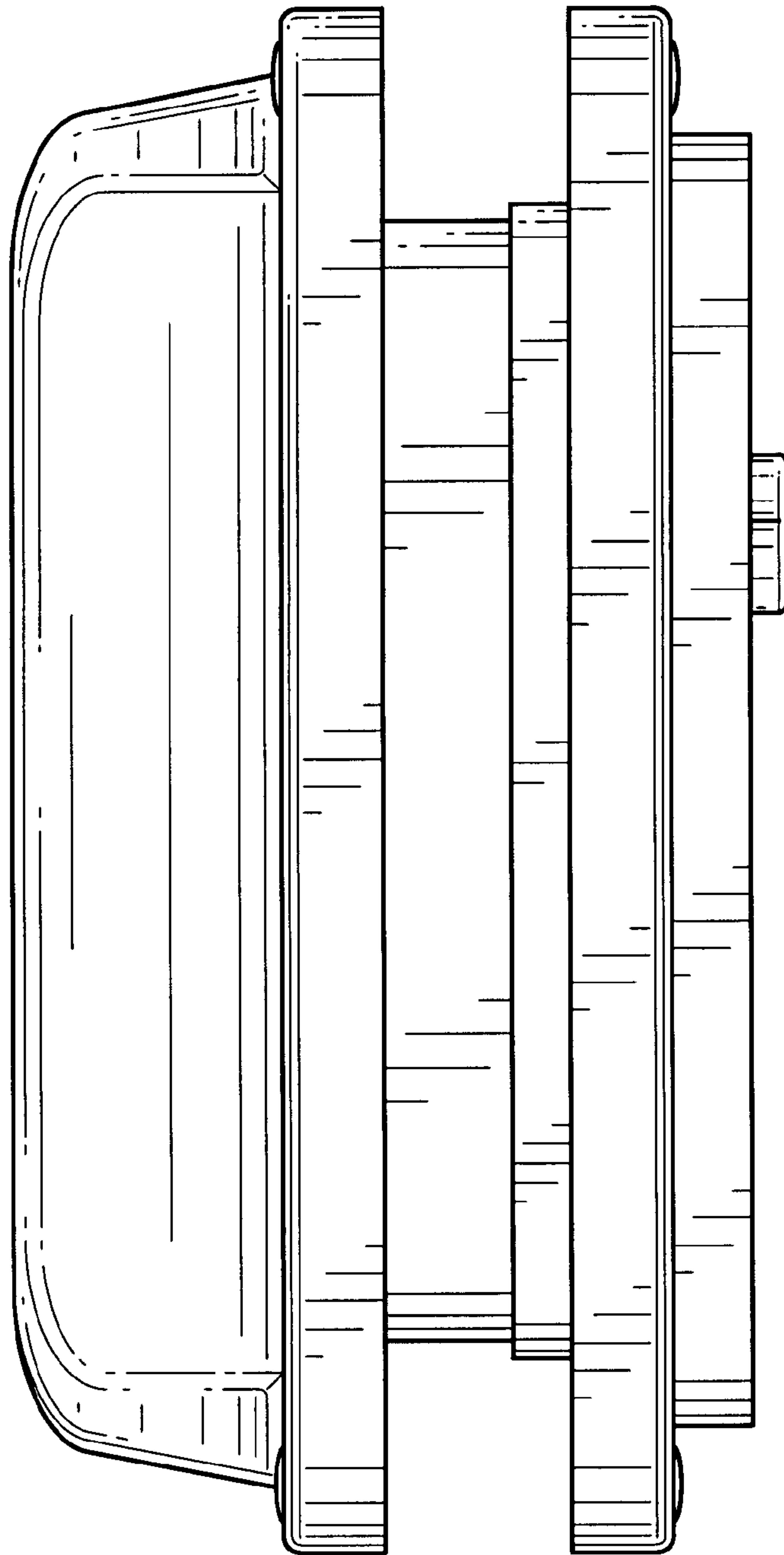


FIG. 6