



US00D445910S

(12) **United States Design Patent**  
**Cohn**

(10) **Patent No.:** **US D445,910 S**

(45) **Date of Patent:** **\*\* Jul. 31, 2001**

(54) **KIOSK**

(75) **Inventor:** **Garry Cohn, Dallas, TX (US)**

(73) **Assignee:** **Viad Corp., Grapevine, TX (US)**

(\*\*) **Term:** **14 Years**

(21) **Appl. No.:** **29/136,605**

(22) **Filed:** **Feb. 2, 2001**

(51) **LOC (7) Cl.** ..... **25-03**

(52) **U.S. Cl.** ..... **D25/16**

(58) **Field of Search** ..... D25/1, 22, 23-26,  
D25/16; D6/432-448, 396-397, 474, 481,  
472, 473, 475-479; D34/19-21; 52/34,  
36.1, 79.1, 74, 79.5; 312/194-196; 108/92-96

(56) **References Cited**

**U.S. PATENT DOCUMENTS**

D. 54,883	4/1920	Willett .	
D. 85,555	11/1931	Stebbins .	
D. 148,842	3/1948	Cushman	D30/11
D. 149,381	4/1948	Schick	D80/9
D. 152,219	12/1948	Schick	D80/9
D. 152,371	1/1949	Schick	D80/11
D. 200,225	2/1965	Benjamin	D80/11
D. 219,579	12/1970	Wormser	D25/4
D. 254,327	2/1980	Tasse	D25/26
D. 256,530	8/1980	Johnson	D6/144
D. 260,708	9/1981	Schindler	D6/144
D. 265,617	8/1982	Sauroge, III et al.	D6/144
D. 279,408	6/1985	Davenport	D25/25
D. 288,040	2/1987	LeBlanc	D6/473
D. 288,609	3/1987	Watkins	D25/11
D. 302,221	7/1989	Suttles et al.	D6/481
D. 313,077	12/1990	Minarro	D25/16
D. 326,024	5/1992	Boyd et al.	D6/480
D. 341,458	11/1993	Carroll	D34/20
D. 346,867	5/1994	Montilla	D25/16
D. 348,367	7/1994	Geisen et al.	D6/481
D. 350,829	9/1994	Horton	D25/16
D. 354,816	1/1995	Horton	D25/16
D. 367,777	3/1996	Arnone	D6/436

D. 368,606	4/1996	Sargent, III	D6/481
D. 379,664	6/1997	Horton	D25/16
D. 379,665	6/1997	Horton	D25/16
D. 379,666	6/1997	Horton	D25/16
D. 379,667	6/1997	Horton	D25/16
D. 383,854	9/1997	Ruscitto	D25/16
D. 396,113	7/1998	Horton	D25/16
D. 396,114	7/1998	Horton	D25/16
D. 403,179	12/1998	Horton	D6/474
D. 405,629	2/1999	Horton	D6/474
D. 406,354	3/1999	Horton	D25/16
D. 406,903	3/1999	Horton	D25/16
D. 407,921	4/1999	Horton	D6/474
D. 413,392	8/1999	Horton	D25/16
D. 423,113	4/2000	Horton	D25/16
D. 423,682	4/2000	Horton	D25/31
D. 424,700	5/2000	Horton	D25/18
D. 424,701	5/2000	Horton	D25/18
D. 435,113	12/2000	Horton	D25/16
589,971	9/1897	Kephart .	
2,836,860	6/1958	Staropoli	20/1.6
3,715,815	2/1973	Lewis	35/60
4,572,598	2/1986	Moore	312/284
5,048,857	9/1991	Stevens	280/651
5,375,899	12/1994	Wright	296/21
5,551,774	9/1996	Campbell et al.	312/284

*Primary Examiner*—Doris Clark

(74) *Attorney, Agent, or Firm*—Locke Liddell & Sapp LLP

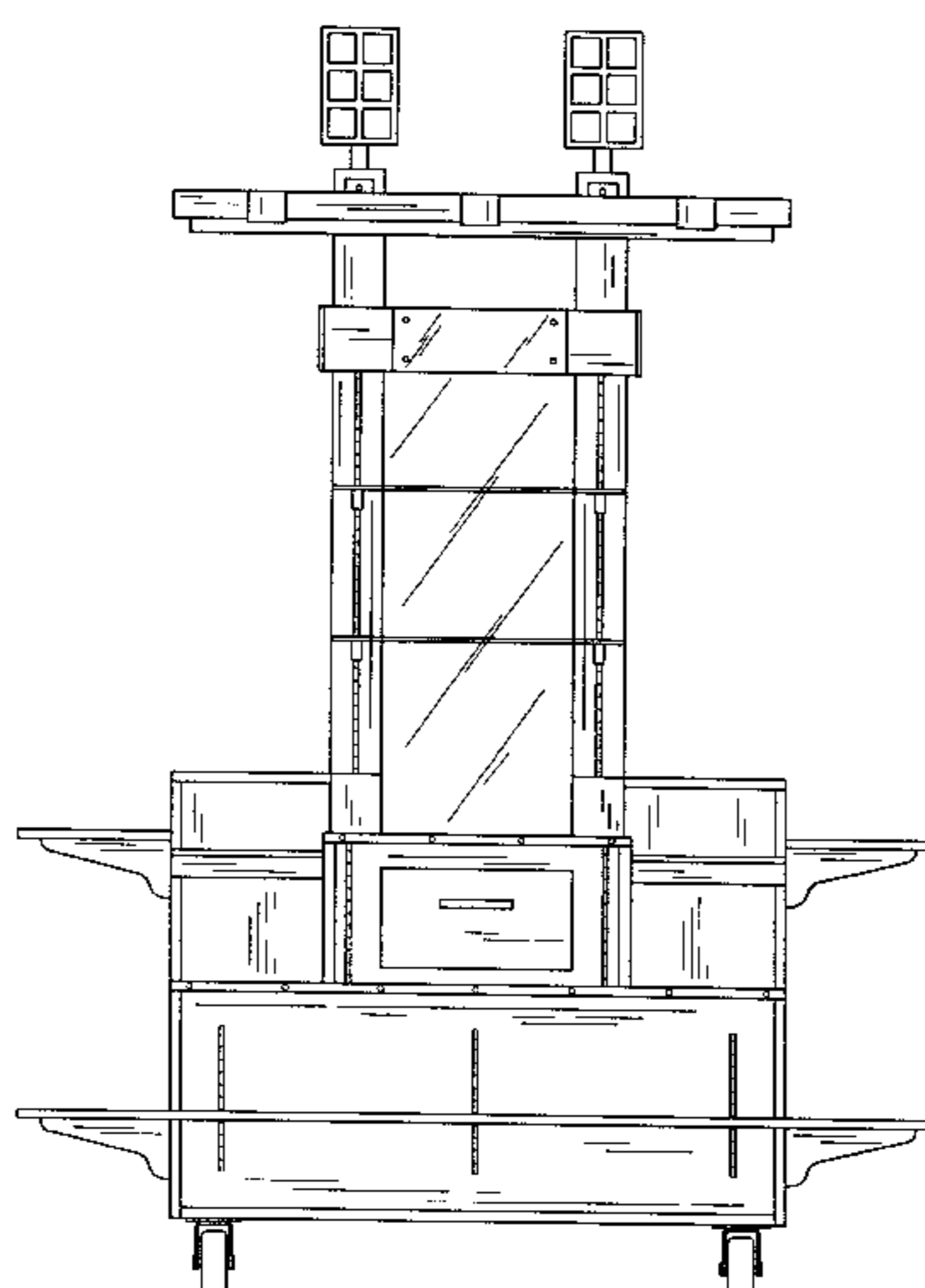
(57) **CLAIM**

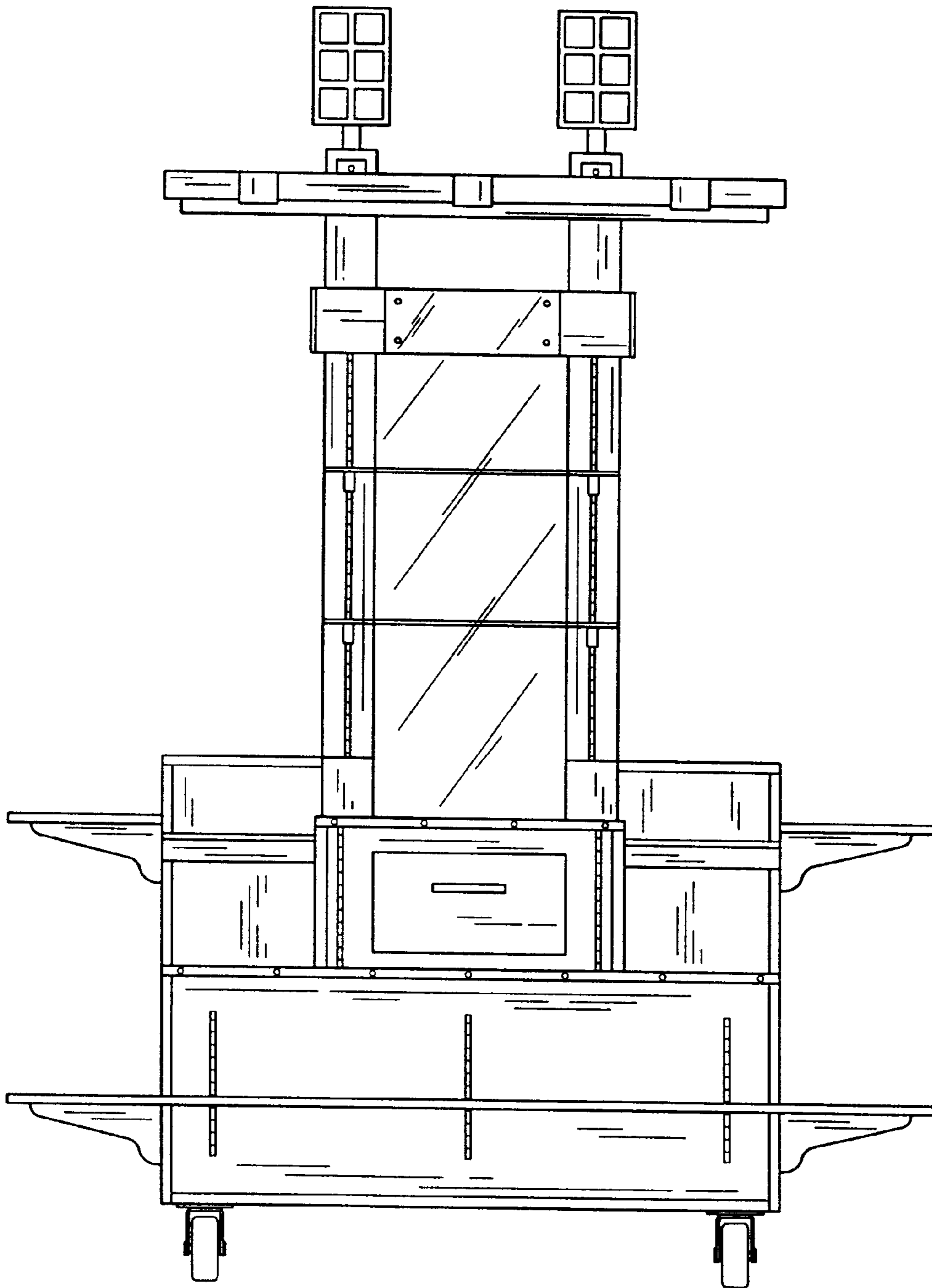
The ornamental design for “kiosk”, as shown and described.

**DESCRIPTION**

FIG. 1 is a left side elevational view of a kiosk showing my new design;  
FIG. 2 is a front elevational view thereof, the rear elevational view being identical thereto;  
FIG. 3 is a right side elevational view thereof;  
FIG. 4 is a top plan view thereof;  
FIG. 5 is a bottom plan view thereof; and,  
FIG. 6 is a sectional view thereof taken generally along sectional lines 6—6 of FIG. 2.

**1 Claim, 6 Drawing Sheets**





*FIG. 1*

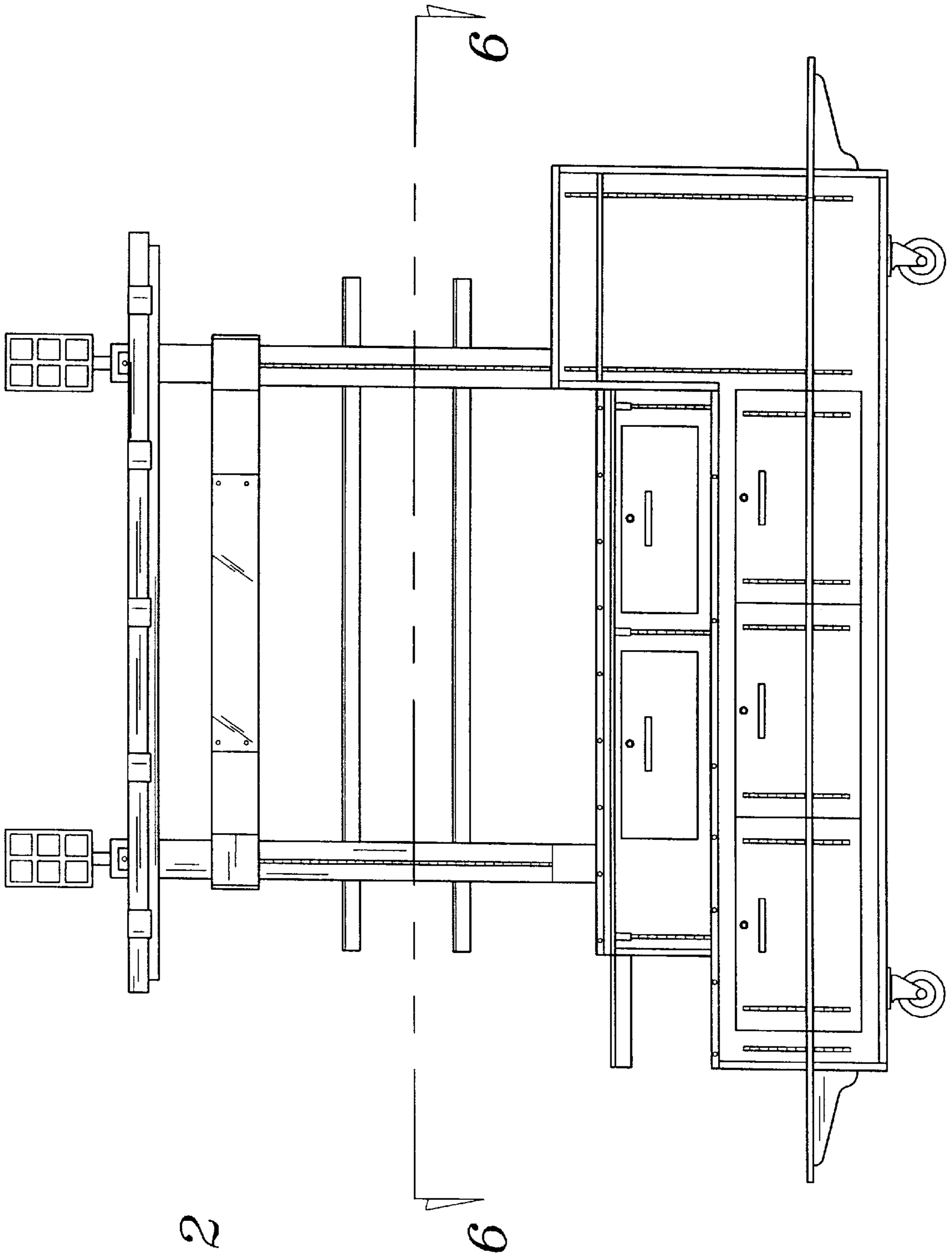


FIG. 2

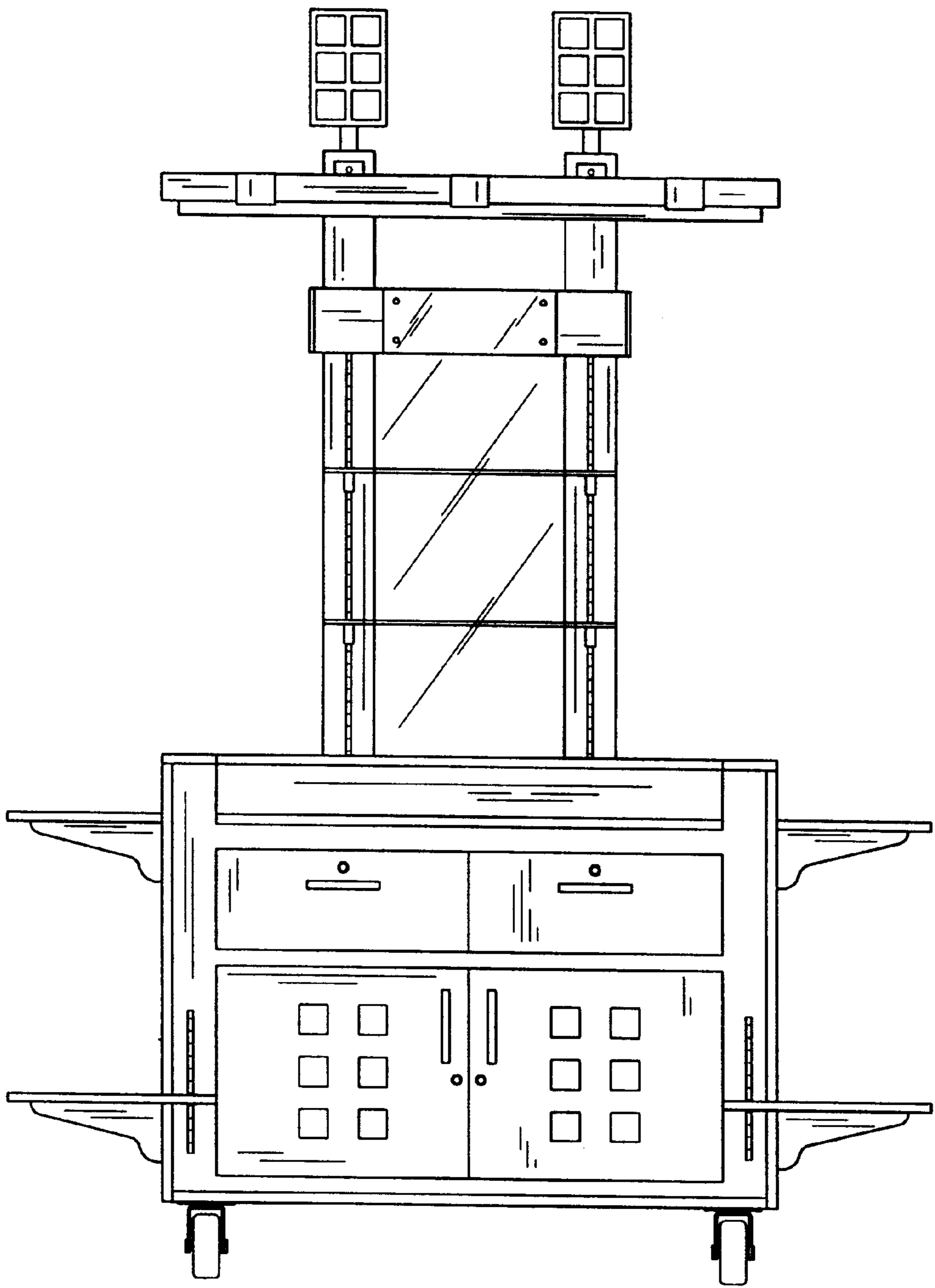
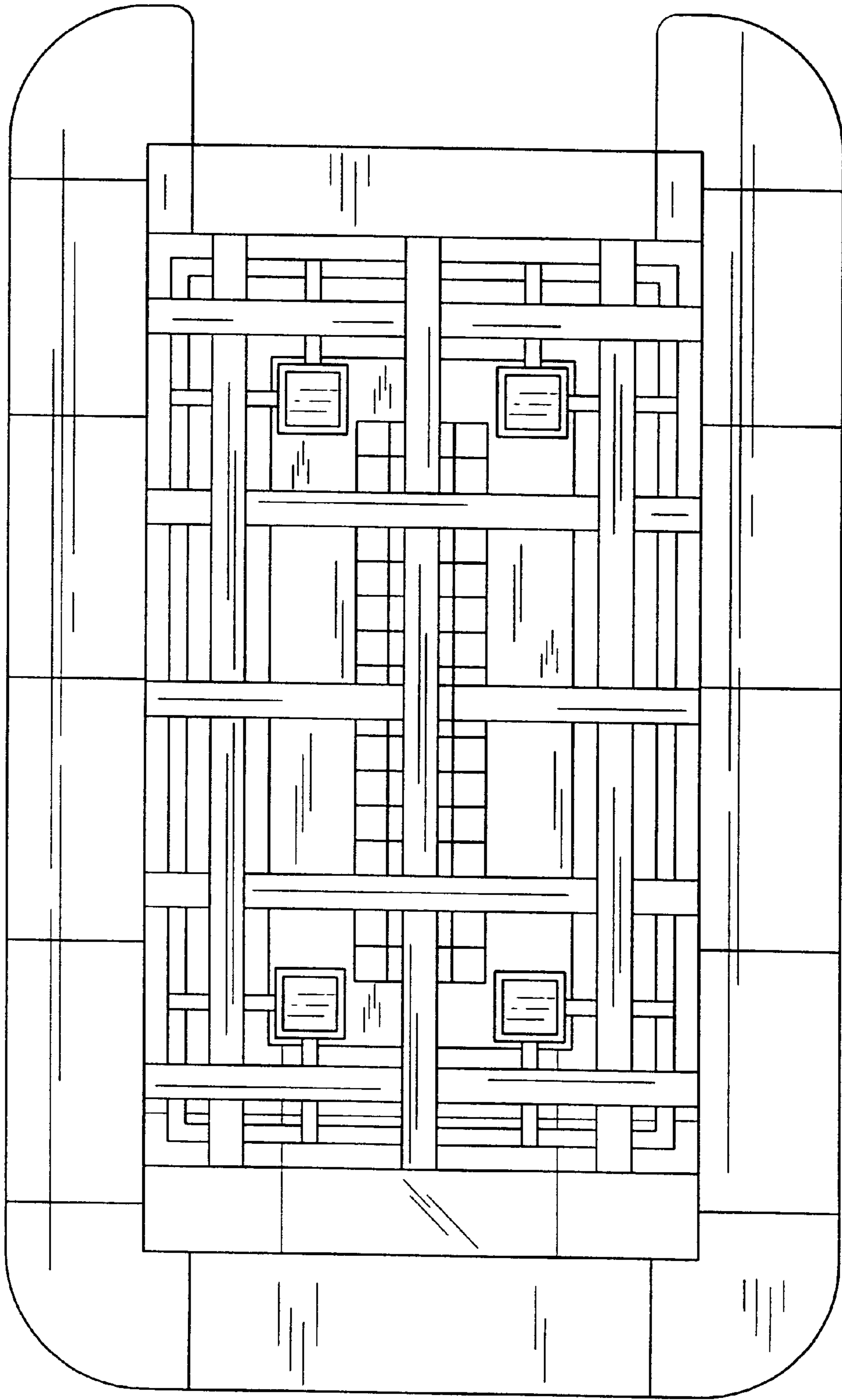


FIG. 3



*FIG. 4*

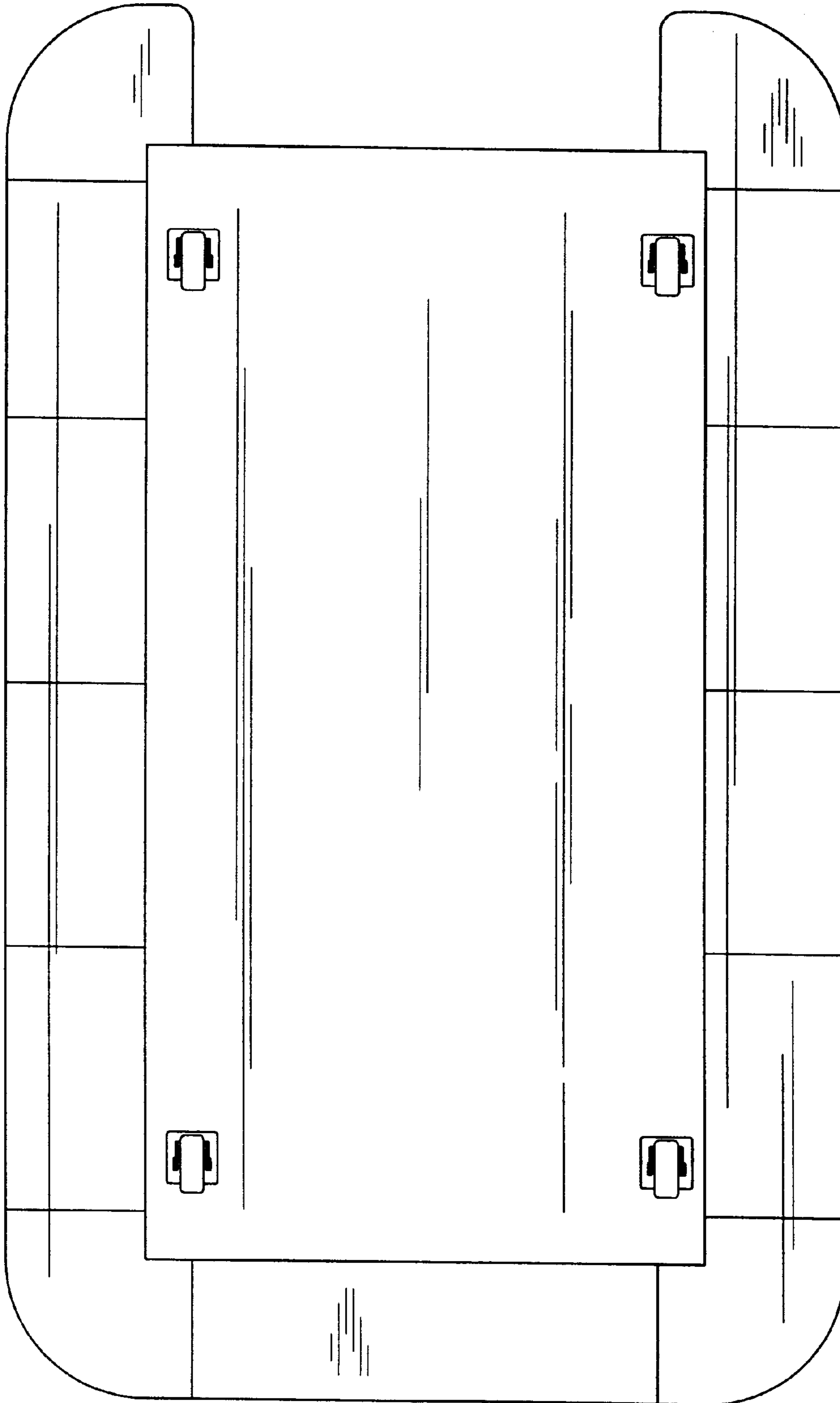


FIG. 5

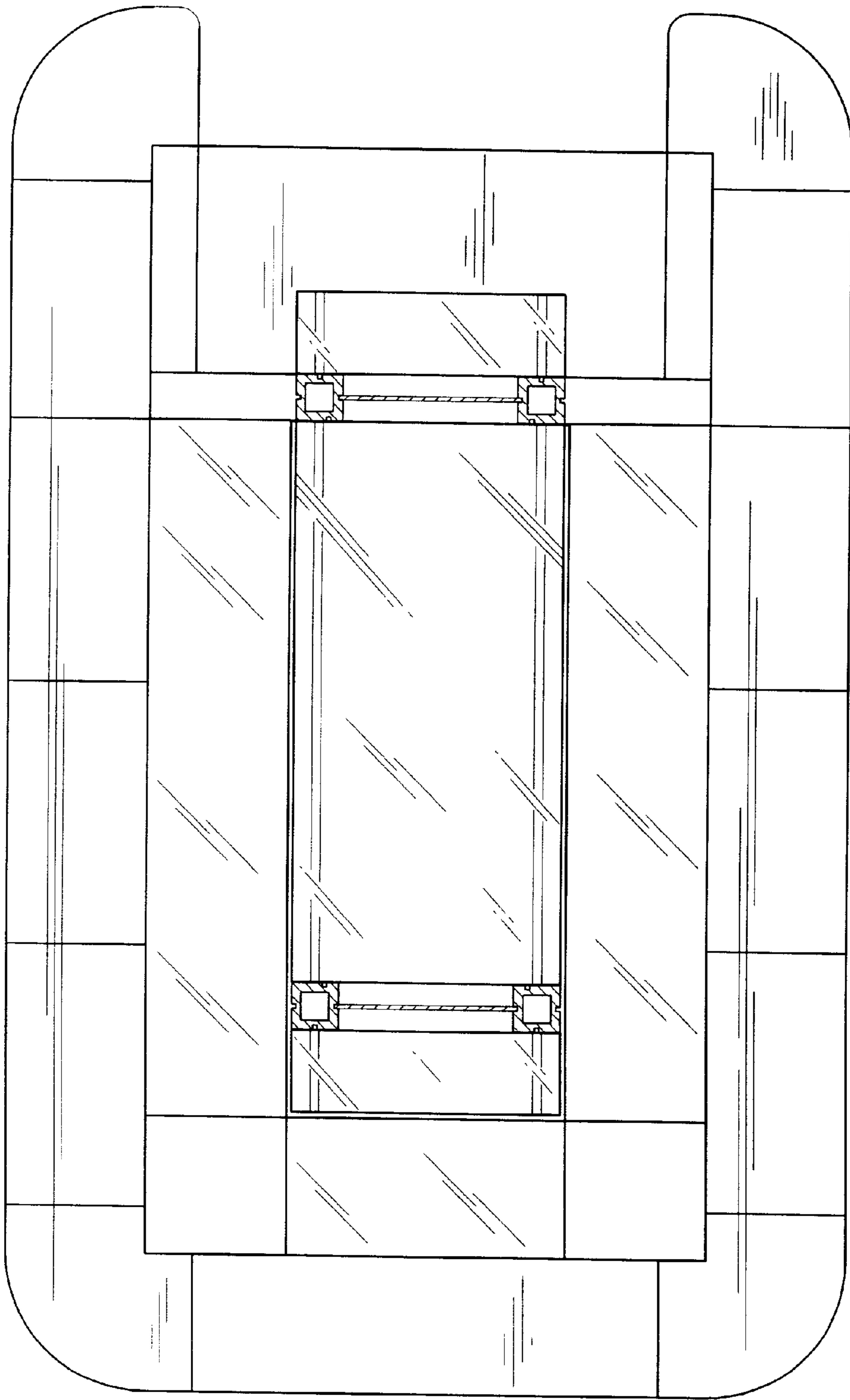


FIG. 6