



US00D445906S

(12) **United States Design Patent**
Clawson

(10) **Patent No.:** **US D445,906 S**

(45) **Date of Patent:** **** Jul. 31, 2001**

(54) **TEST KIT HOUSING**

(75) **Inventor:** **Burrell E. Clawson**, Newport Beach, CA (US)

(73) **Assignee:** **Diagnostica, Inc.**, Las Vegas, NV (US)

(**) **Term:** **14 Years**

(21) **Appl. No.:** **29/091,991**

(22) **Filed:** **Aug. 11, 1998**

(51) **LOC (7) Cl.** **24-01**

(52) **U.S. Cl.** **D24/216; D24/224; D24/225**

(58) **Field of Search** **D24/216, 224, D24/225; 422/56, 68, 58, 102, 101, 61; 435/810, 970, 288.3**

5,182,191	1/1993	Fan et al. .	
5,196,167	3/1993	Guadagno et al. .	
5,198,365	3/1993	Grow et al. .	
5,217,874	6/1993	Guadagno et al. .	
5,260,221 *	11/1993	Ramel et al.	436/169
5,264,181	11/1993	Schreiber .	
5,310,680	5/1994	Baker et al. .	
5,344,762	9/1994	Karapetian .	
5,391,498	2/1995	Baker et al. .	

* cited by examiner

Primary Examiner—Ian Simmons

(74) *Attorney, Agent, or Firm*—Stout, Uxa, Buyan & Mullins; Frank J. Uxa

(57) **CLAIM**

The ornamental design for test kit housing, as shown and described.

(56) **References Cited**

U.S. PATENT DOCUMENTS

D. 281,903	12/1985	Duffy .	
D. 342,575 *	12/1993	Ashihara et al.	D24/224
3,968,010 *	7/1976	Young	435/288.3
4,071,317	1/1978	Lam .	
4,333,734	6/1982	Fleisher .	
4,365,970	12/1982	Lawrence et al. .	
4,382,064	5/1983	Detweiler et al. .	
4,615,982	10/1986	Lawrence .	
4,645,743	2/1987	Baker et al. .	
4,789,629	12/1988	Baker et al. .	
4,818,702	4/1989	Lawrence .	
4,937,197	6/1990	Lawrence .	
4,939,097	7/1990	Lawrence .	
4,983,416	1/1991	Hunsinger et al. .	
5,100,619	3/1992	Baker et al. .	
5,106,582	4/1992	Baker et al. .	
5,171,529	12/1992	Schreiber .	

DESCRIPTION

FIG. 1 is a perspective view showing the top, front and right side of the test kit housing.

FIG. 2 is an elevation view showing the front of the test kit housing of the present invention.

FIG. 3 is a plan view showing the top of the test kit housing of the present invention.

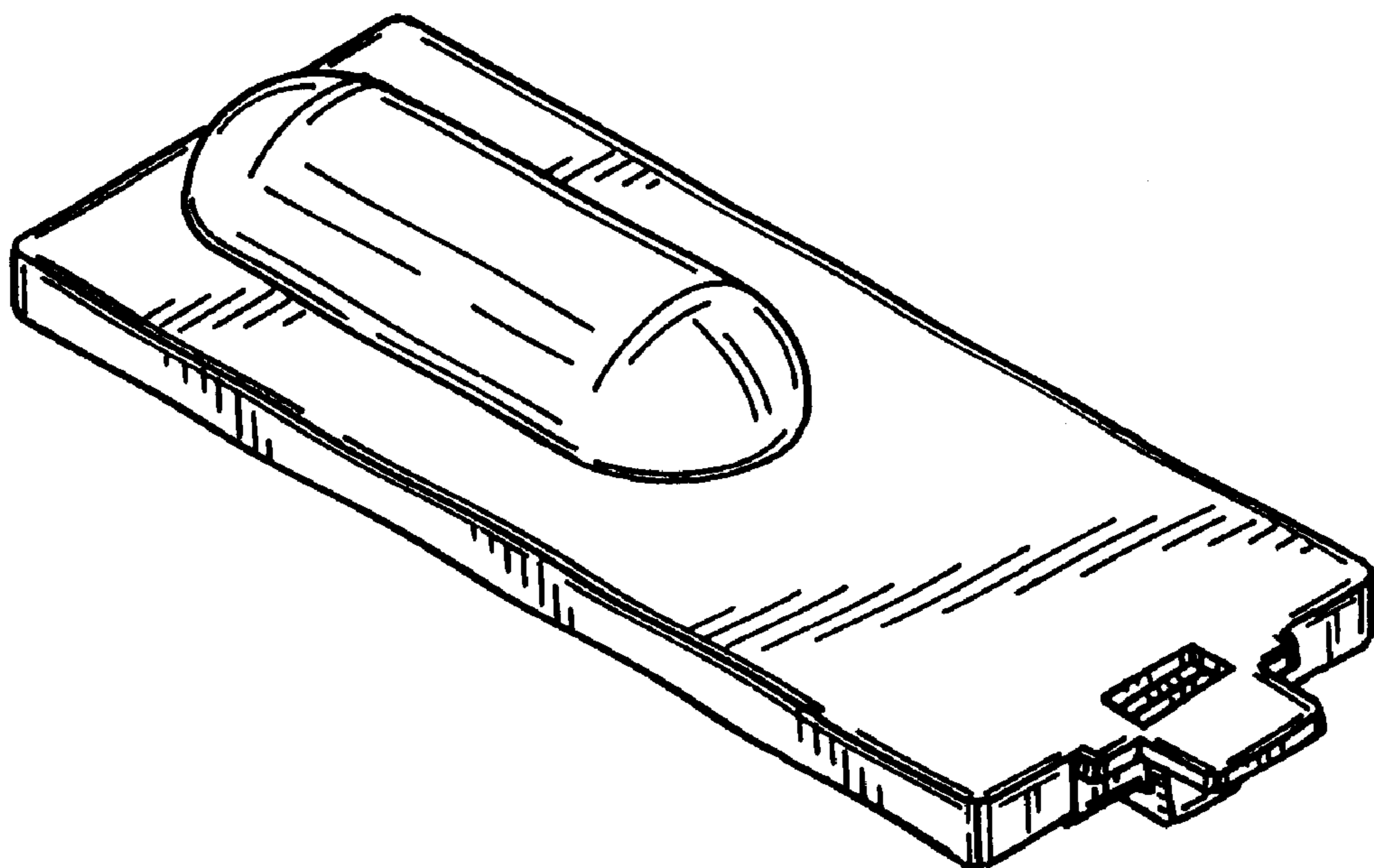
FIG. 4 is an elevation view showing the left side of the test kit housing of the present invention.

FIG. 5 is an elevation view showing the right side of the test kit housing of the present invention.

FIG. 6 is an elevation view showing the back of the test kit housing of the present invention; and,

FIG. 7 is a plan view showing the bottom of the test kit housing of the present invention.

1 Claim, 1 Drawing Sheet



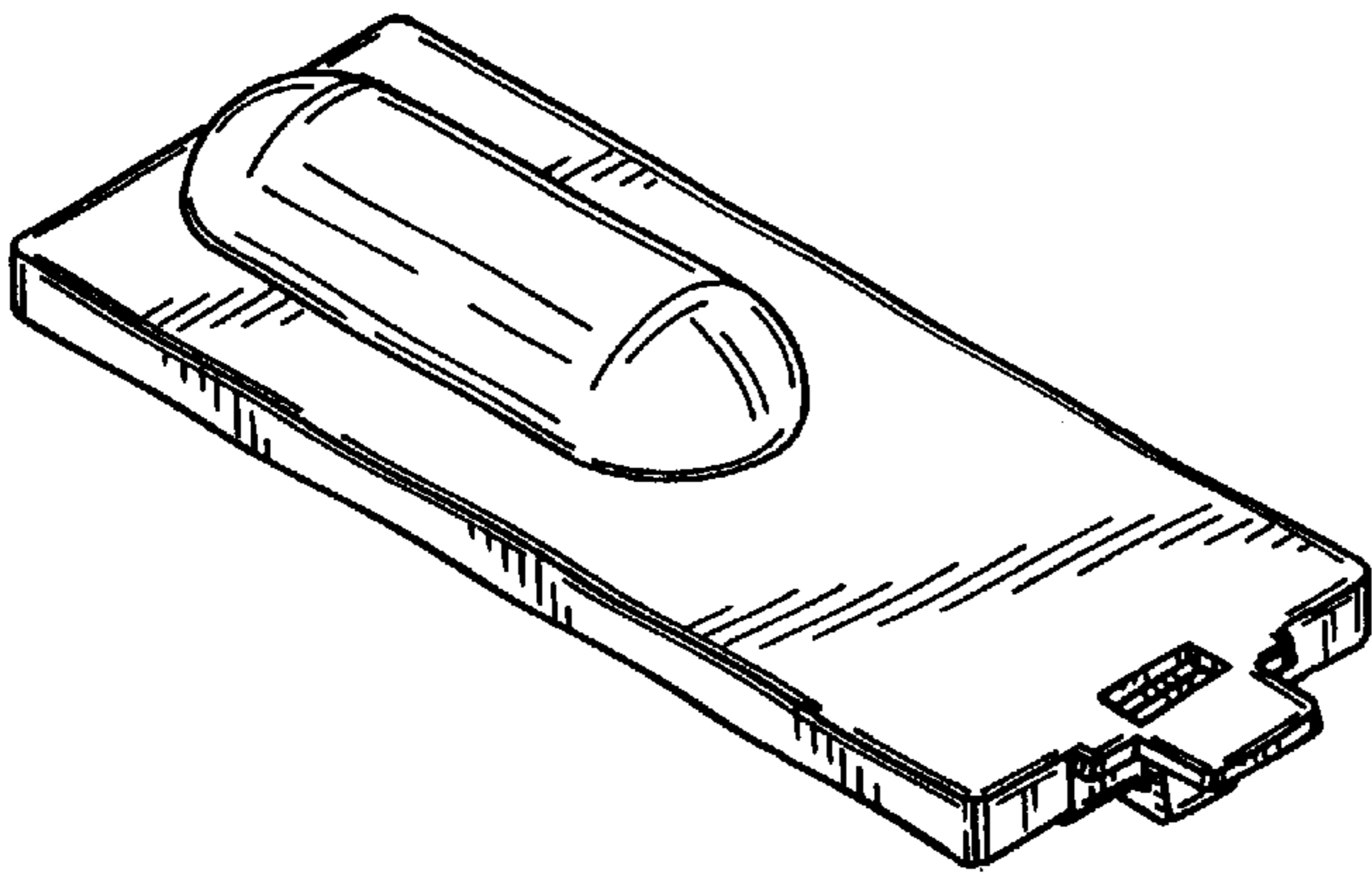


FIG. 1

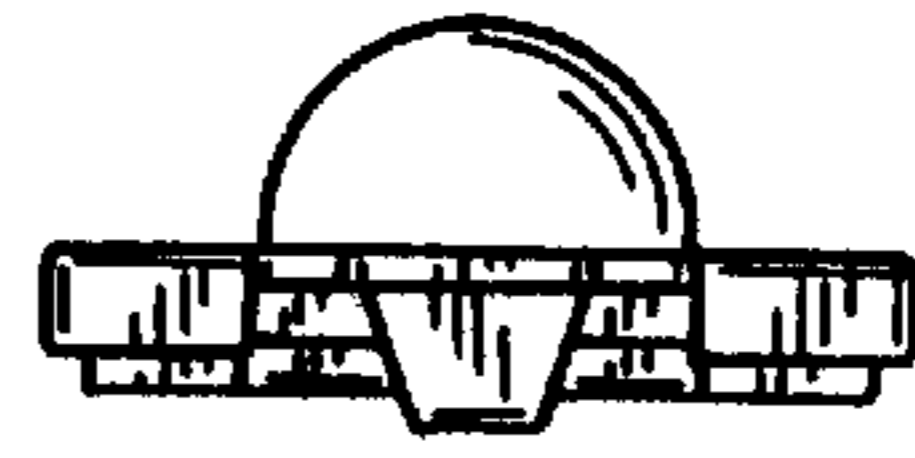


FIG. 2

FIG. 6

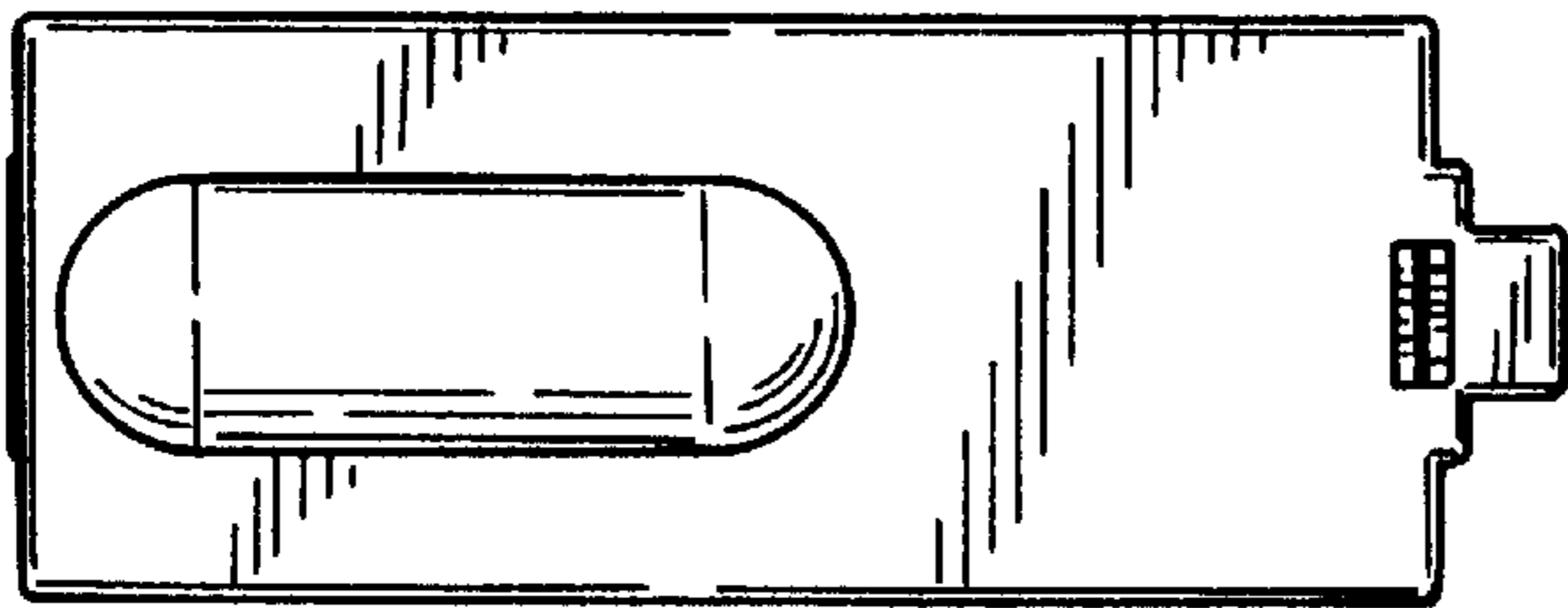
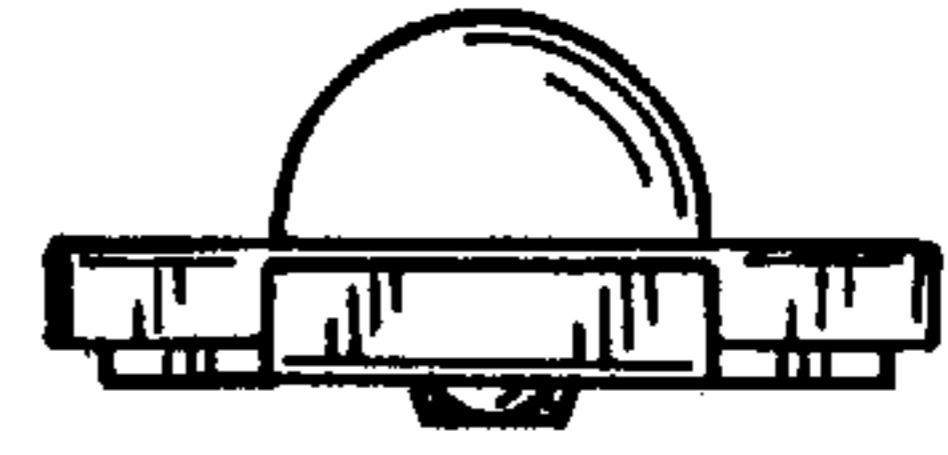


FIG. 3

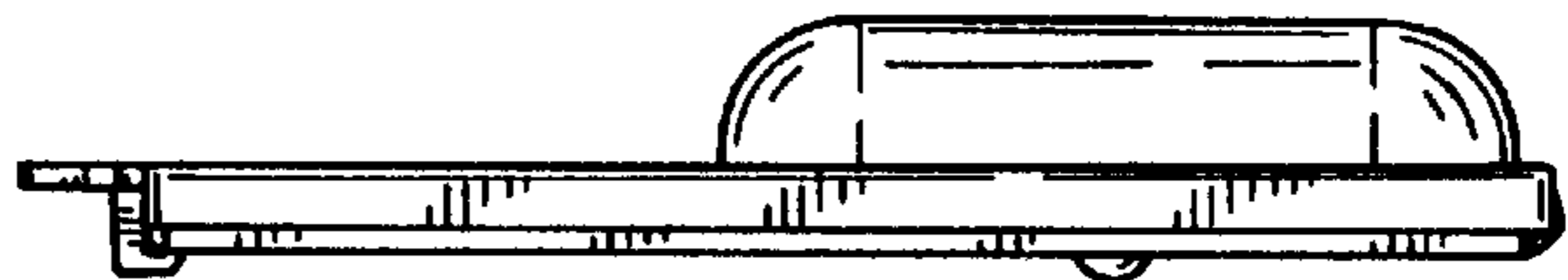


FIG. 4

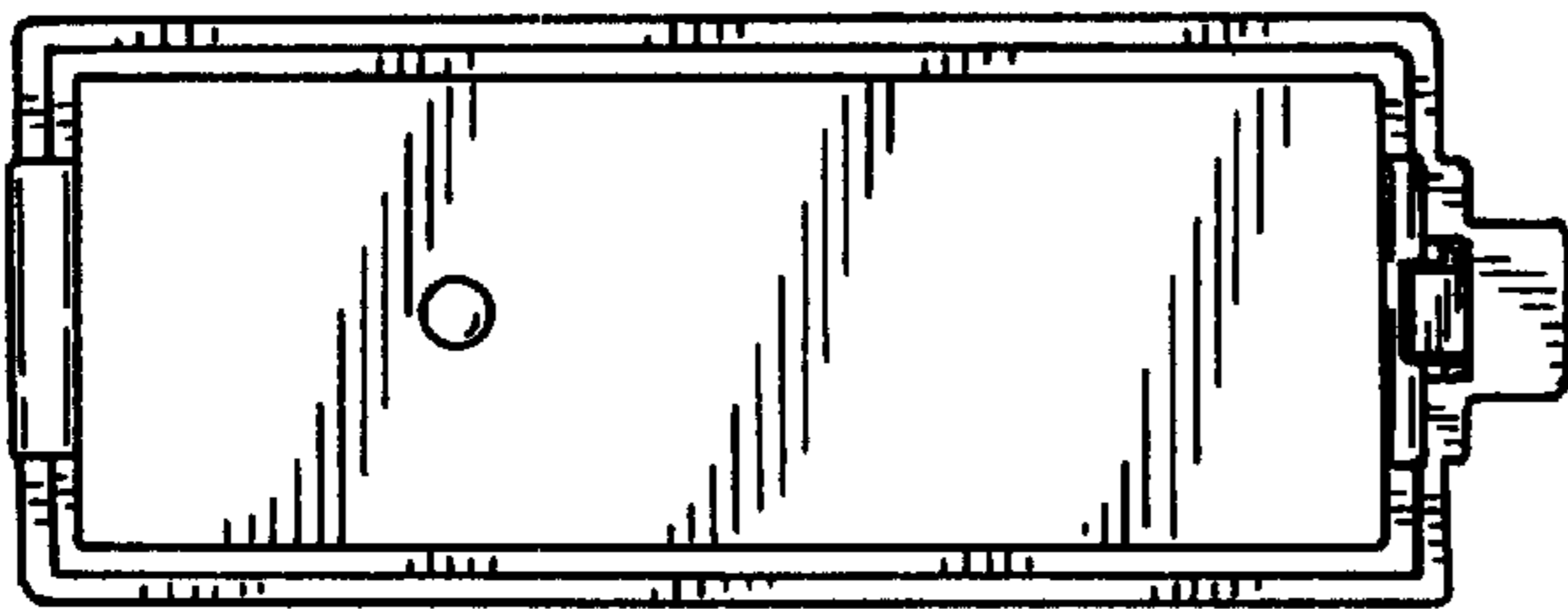


FIG. 7

FIG. 5

