



US00D445890S

(12) **United States Design Patent**  
**Peterson et al.**

(10) **Patent No.:** **US D445,890 S**

(45) **Date of Patent:** **\*\* Jul. 31, 2001**

(54) **DUCT ASSEMBLY WITH CONNECTING STATIONS**

(75) Inventors: **Michael J. Peterson; H. Earl Ginn,**  
both of Nashville, TN (US)

(73) Assignee: **Dialysis Systems, Inc.,** Nashville, TN (US)

(\*\*) Term: **14 Years**

(21) Appl. No.: **29/125,307**

(22) Filed: **Jun. 21, 2000**

**Related U.S. Application Data**

(63) Continuation-in-part of application No. 29/106,965, filed on Jun. 24, 1999, now Pat. No. Des. 443,925, and application No. 29/106,991, filed on Jun. 24, 1999, now Pat. No. Des. 436,163.

(51) **LOC (7) Cl.** ..... **23-99**

(52) **U.S. Cl.** ..... **D23/395**

(58) **Field of Search** ..... D23/351, 395;  
174/48; 52/288.1, 220.5, 220.7

(56) **References Cited**

**U.S. PATENT DOCUMENTS**

D. 262,398	12/1981	Syme	.....	D23/127
D. 281,620	12/1985	Gustavsson et al.	.....	D23/163
D. 368,307	3/1996	Miller	.....	D23/354
2,355,629	* 8/1944	Carrier	.....	D23/351 X
3,461,220	* 8/1969	Hukin	.....	174/48
3,473,278	* 10/1969	Gossen	.....	52/288.1

3,721,762	*	3/1973	Gooding	.....	174/48
5,274,972	*	1/1994	Hansen	.....	52/220.5
5,704,175	*	1/1998	Lewis	.....	52/288.1
5,732,747	*	3/1998	Holliday	.....	52/220.5
5,901,512	*	5/1999	Bullwinkle	.....	52/220.7

\* cited by examiner

*Primary Examiner*—Mitchell Siegel

(74) *Attorney, Agent, or Firm*—Waddey & Patterson;  
Lucian Wayne Beavers

(57) **CLAIM**

What is claimed is the ornamental design for a duct assembly with connecting stations, as shown and described.

**DESCRIPTION**

FIG. 1 is a front elevation of the duct assembly with connecting stations of Applicants' invention.

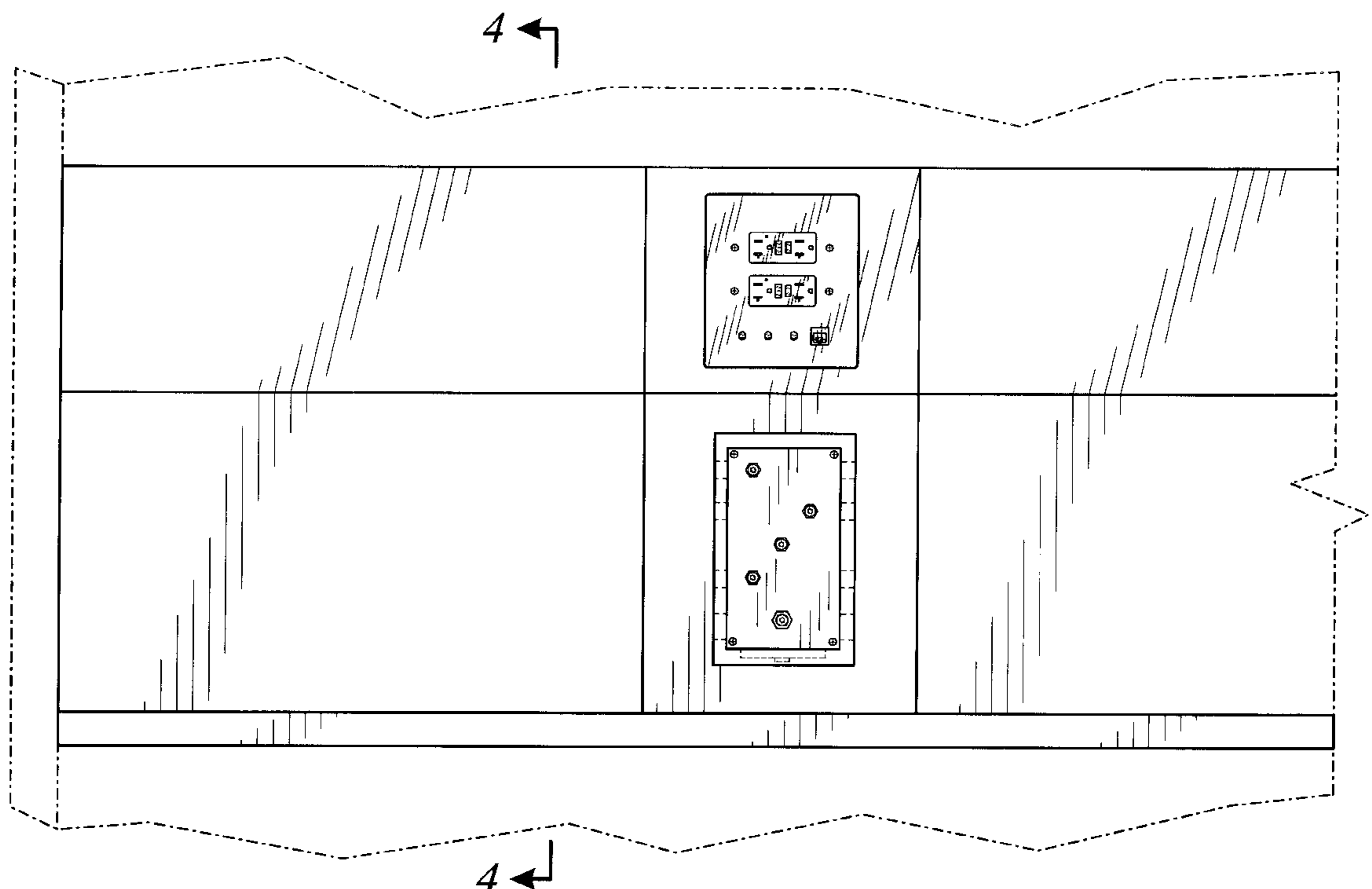
FIG. 2 is a top view of the duct assembly with connecting stations of Applicants' invention.

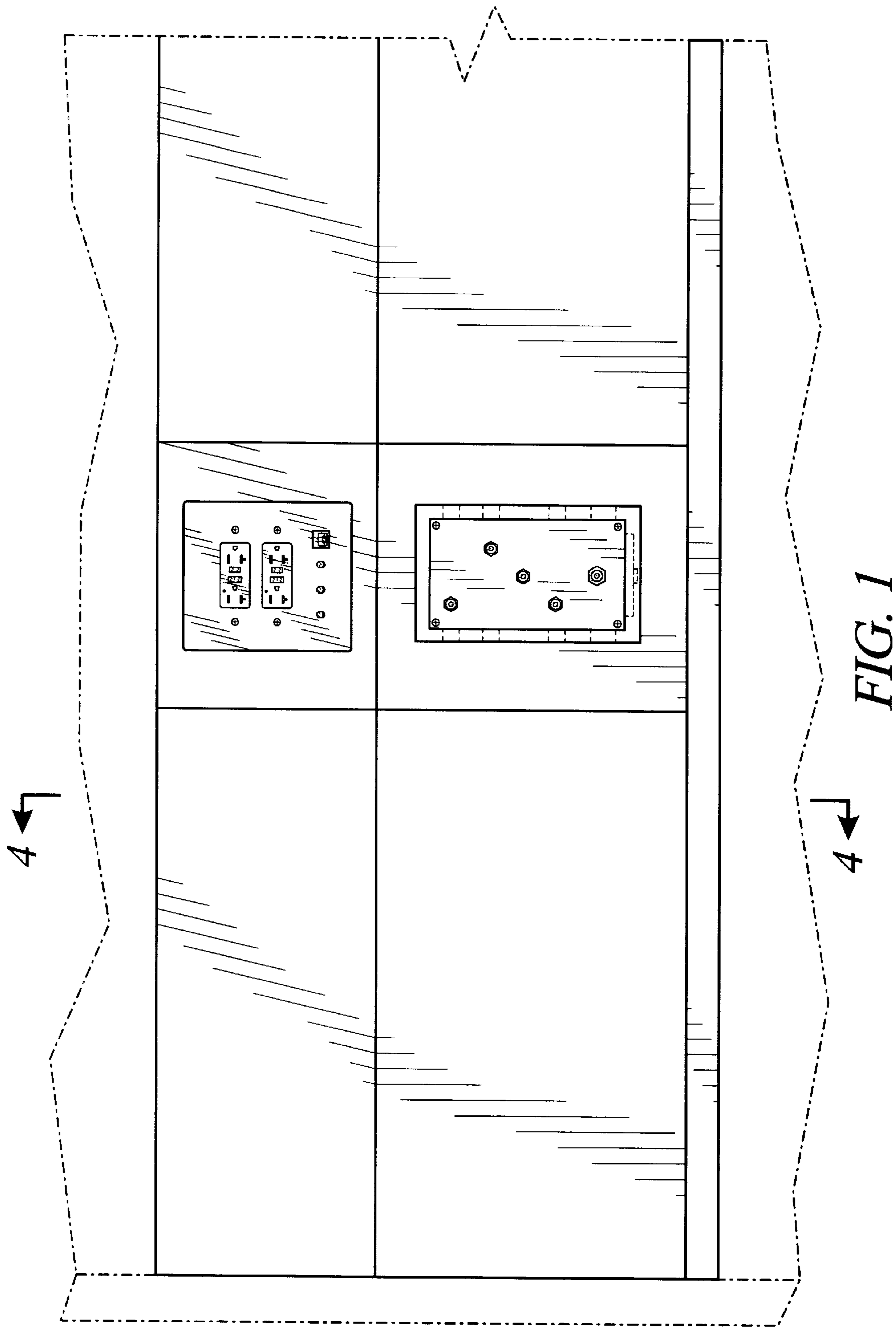
FIG. 3 is a bottom view of the duct assembly with connecting stations of Applicants' invention; and,

FIG. 4 is a sectioned elevation view, taken along line 4—4 of FIG. 1, of the duct assembly with connecting stations of Applicants' invention. FIG. 4 is provided merely to better show the outer profile of the invention, the interior plumbing not being part of the invention.

There is no rear view or end view shown, the same being unornamented and not visible in normal use of the invention. The dashed lines are provided to show surrounding background and are not a part of the design.

**1 Claim, 3 Drawing Sheets**





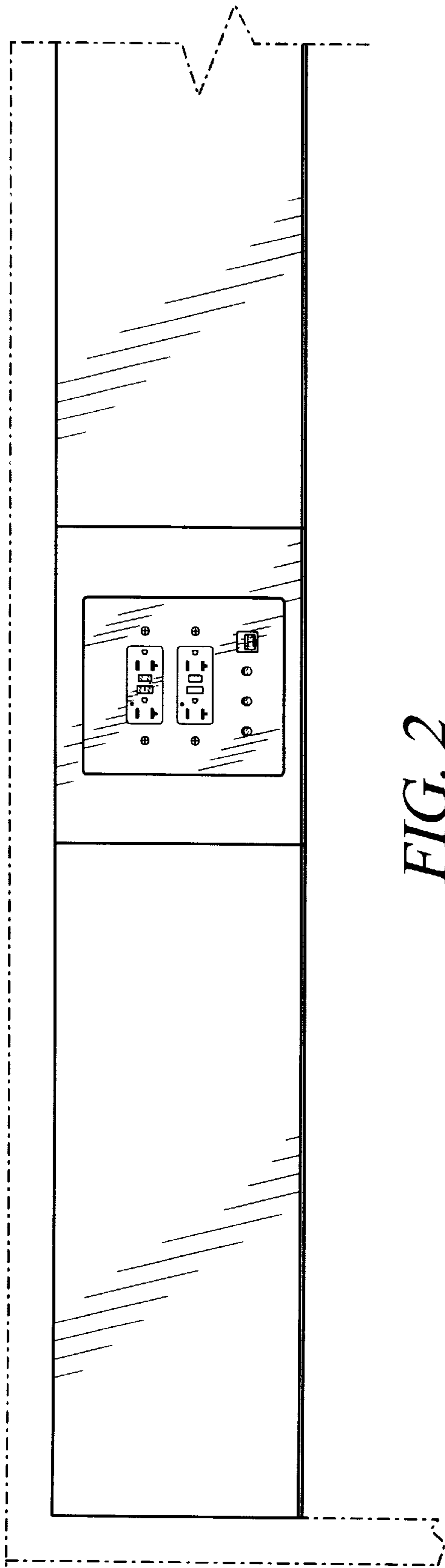


FIG. 2

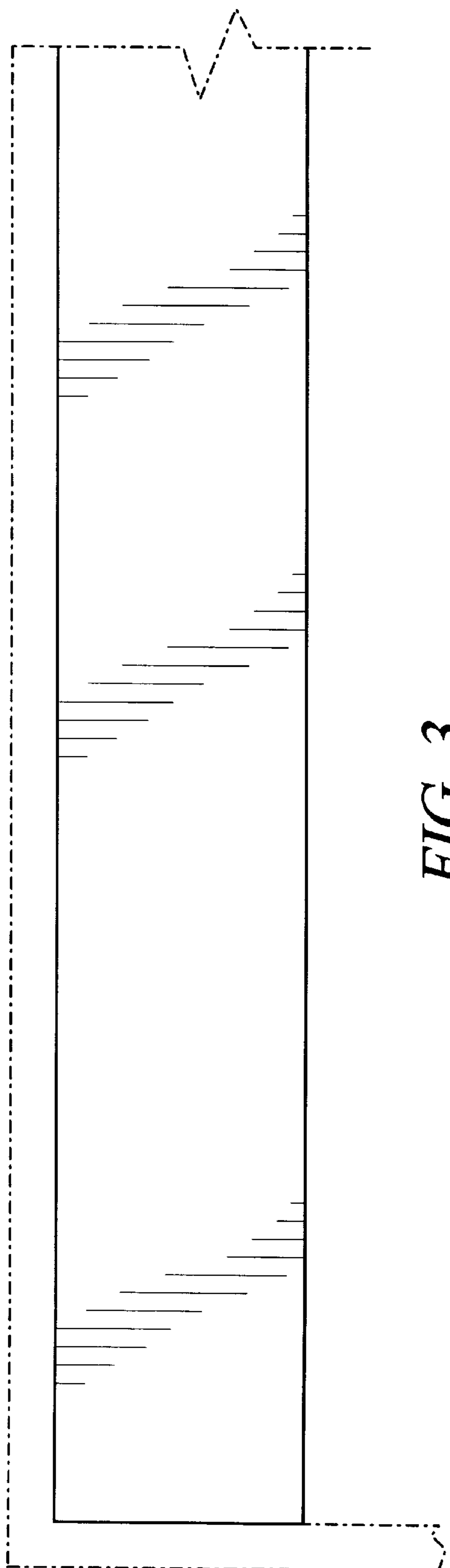
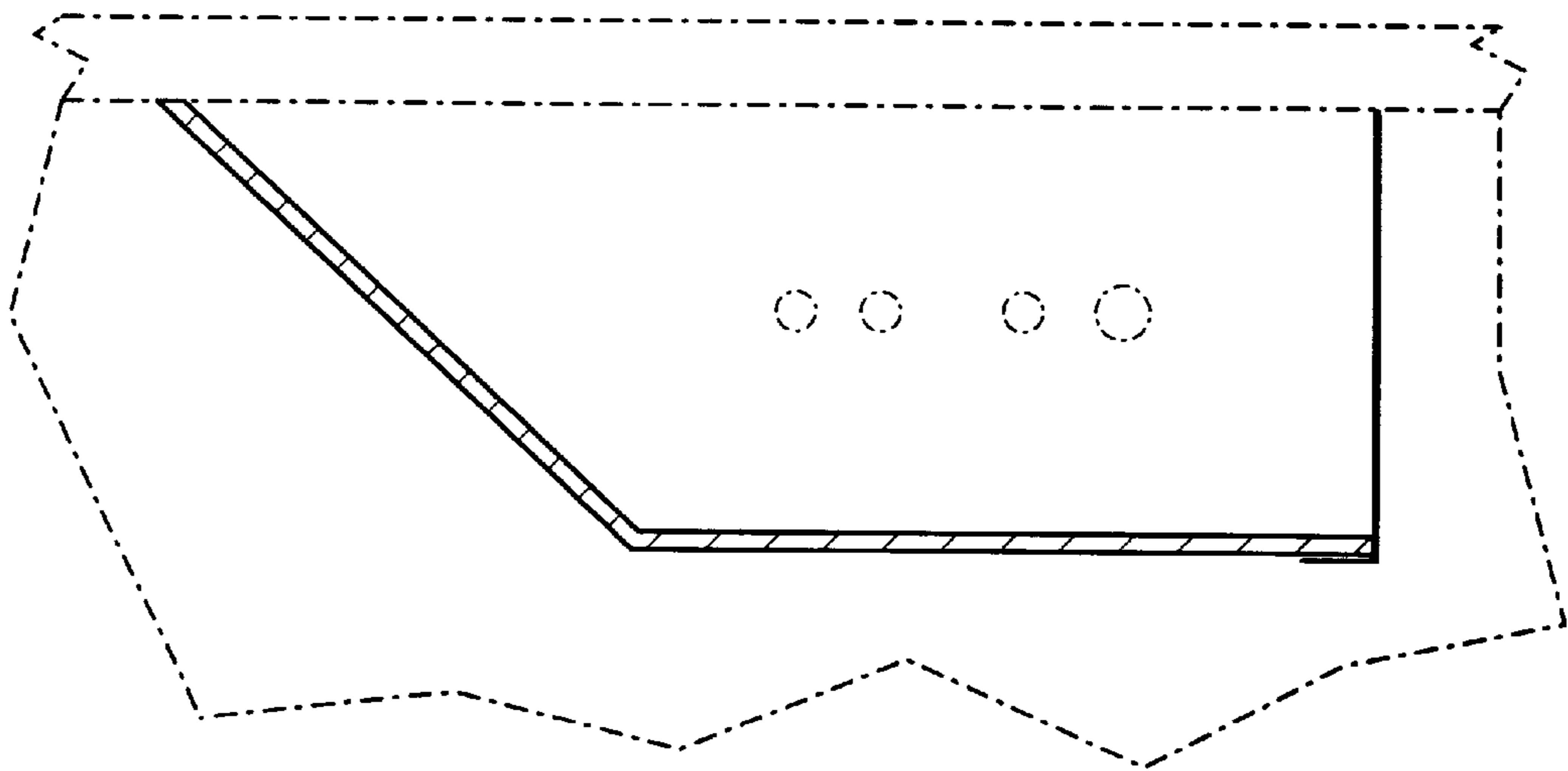


FIG. 3



*FIG. 4*