



US00D445889S

(12) **United States Design Patent** (10) **Patent No.:** **US D445,889 S**
Resmo et al. (45) **Date of Patent:** **** Jul. 31, 2001**

(54) **MINIATURE PATIO HEATER SHROUD**

(75) Inventors: **Michael Resmo**, Castle Rock, CO (US); **S. B. Yoon**, Bu San (KR)

(73) Assignee: **CFM-RMC International, Inc.**, Huntingdon, IN (US)

(**) Term: **14 Years**

(21) Appl. No.: **29/129,528**

(22) Filed: **Sep. 15, 2000**

(51) **LOC (7) Cl.** **23-02**

(52) **U.S. Cl.** **D23/386; D23/342**

(58) **Field of Search** D23/342, 386, D23/337, 341; 135/16; 392/435, 422, 423, 440; 362/431

(56) **References Cited**

U.S. PATENT DOCUMENTS

D. 325,963	5/1992	Anderson	D23/342
D. 429,324 *	8/2000	Olson et al.	D23/342
5,964,233	10/1999	Clark et al.	135/16

FOREIGN PATENT DOCUMENTS

0 976 679 A1	2/2000	(EP) .
2764677	12/1998	(FR) .

OTHER PUBLICATIONS

Solutions Brochure, "Outdoor Heater", Mar. 1999, p. 55. (2 pp.).
<http://raytech.simplenet.com/heaters/heaterssunglo.htm>,
 "SUNGLO style heater", Dec. 20, 1999, *Raytech*, 3 pp.

<http://www.easyradiantworks.com/sub/patio.eht>, "Patio Plus Outdoor Heater", *Easy Radiant Works*, Dec. 20, 1999, 2 pp.

Improvements Catalog, "Firepole Space Heater", Mar. 3, 2000, 1 pg.

* cited by examiner

Primary Examiner—Mitchell Siegel

(74) *Attorney, Agent, or Firm*—Sheridan Ross P.C.

(57) **CLAIM**

The ornamental design of an miniature patio heater shroud, as shown and described.

DESCRIPTION

FIG. 1 is a top perspective view of an miniature patio heater shroud showing our new design;

FIG. 2 is a bottom plan view of FIG. 1;

FIG. 3 is a top plan view of FIG. 1;

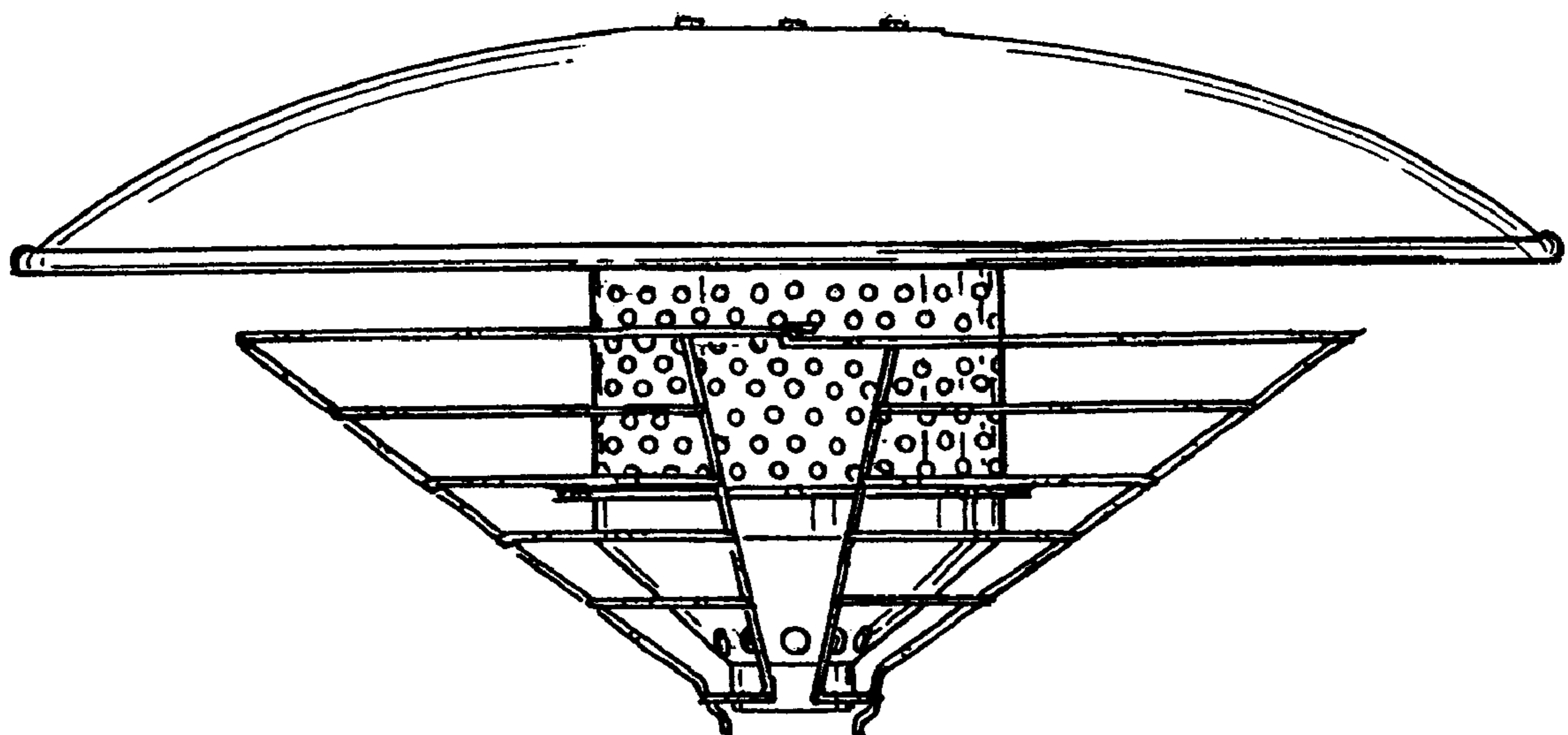
FIG. 4 is a front elevation of FIG. 1; and,

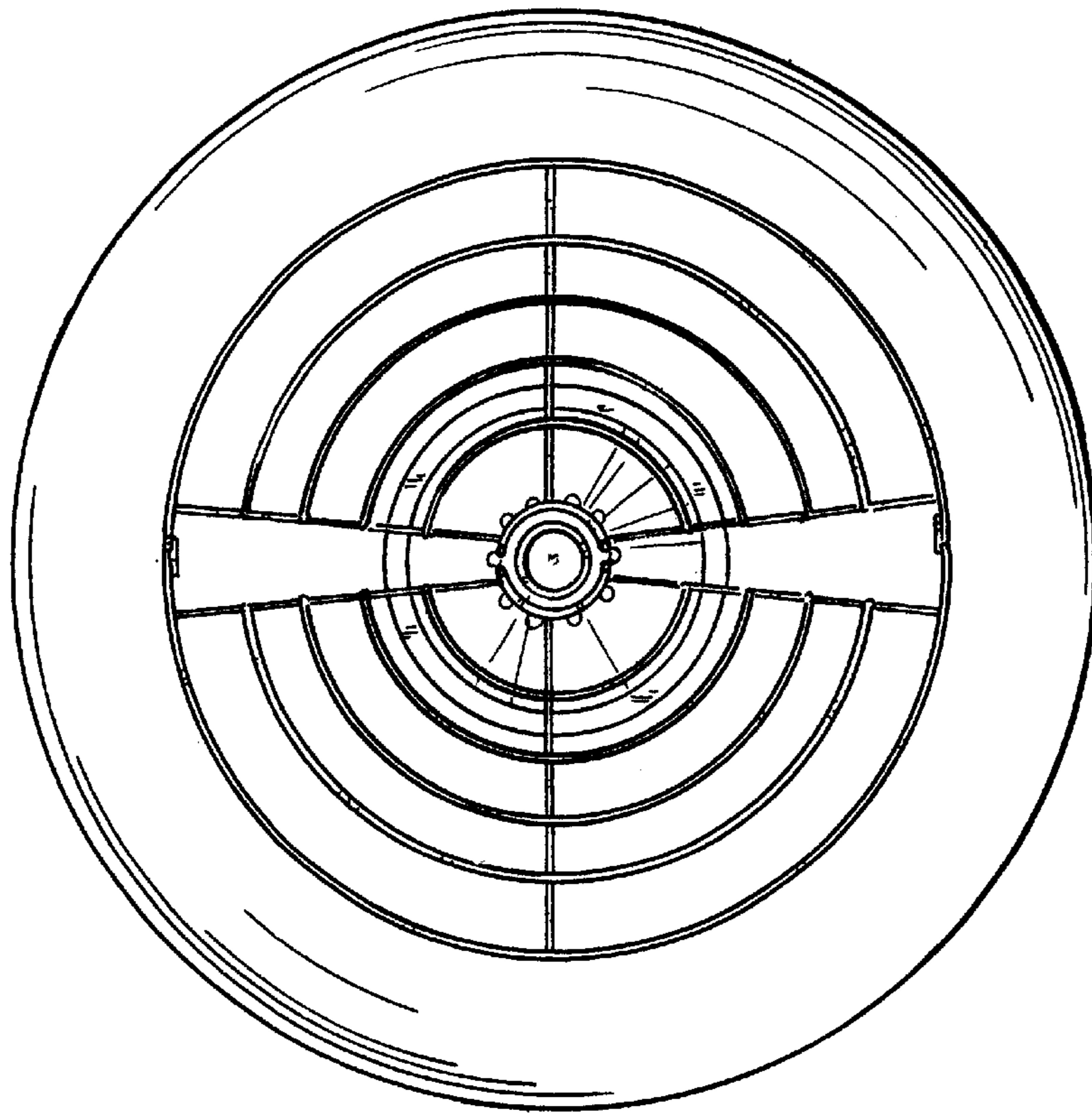
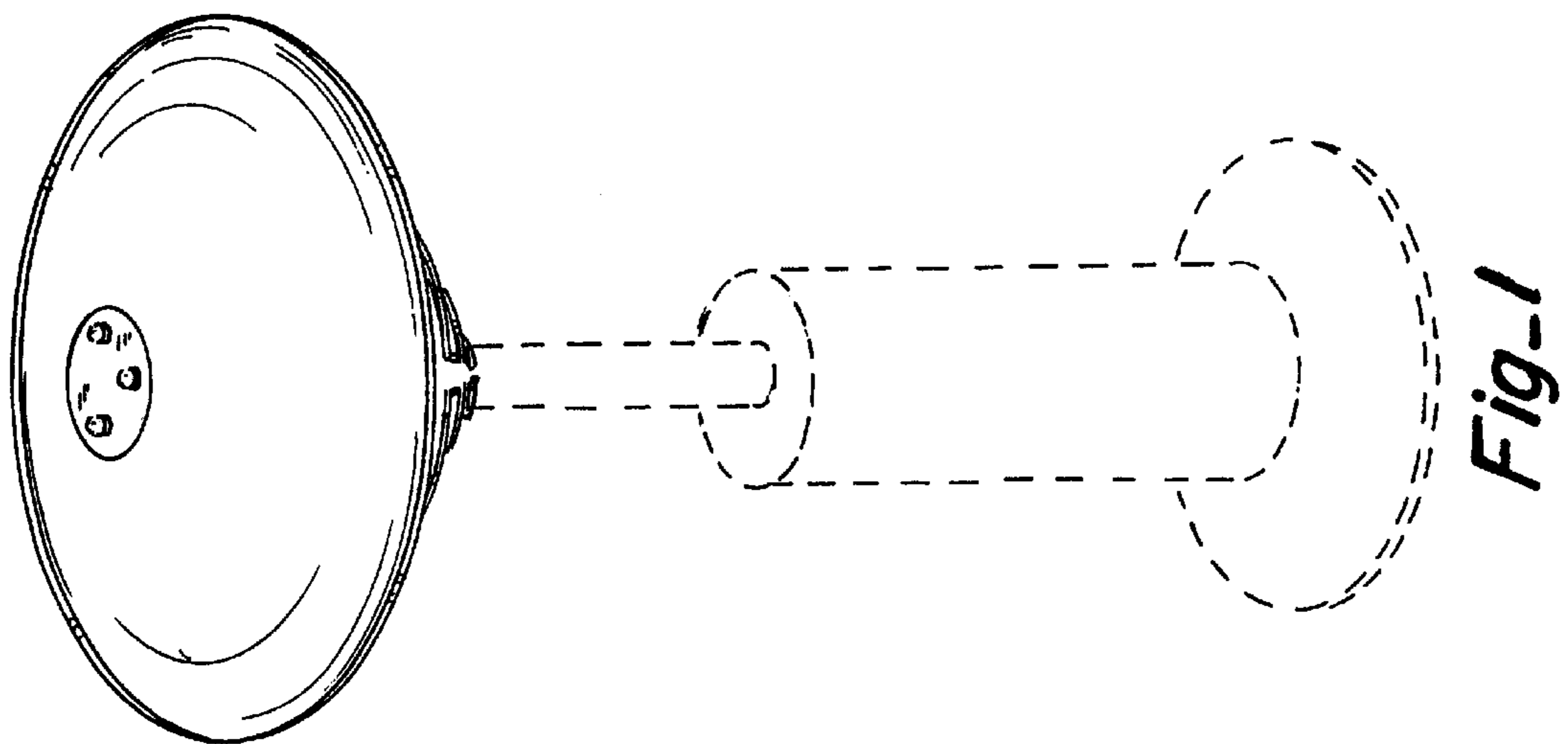
FIG. 5 is a rear elevation of FIG. 1.

The supporting post and base shown in dotted lines in FIG. 1 form no part of the claimed invention but merely illustrate the environment in which the invention is used.

The broken line showing is for illustrative purposes only and forms no part of the claimed design.

1 Claim, 2 Drawing Sheets





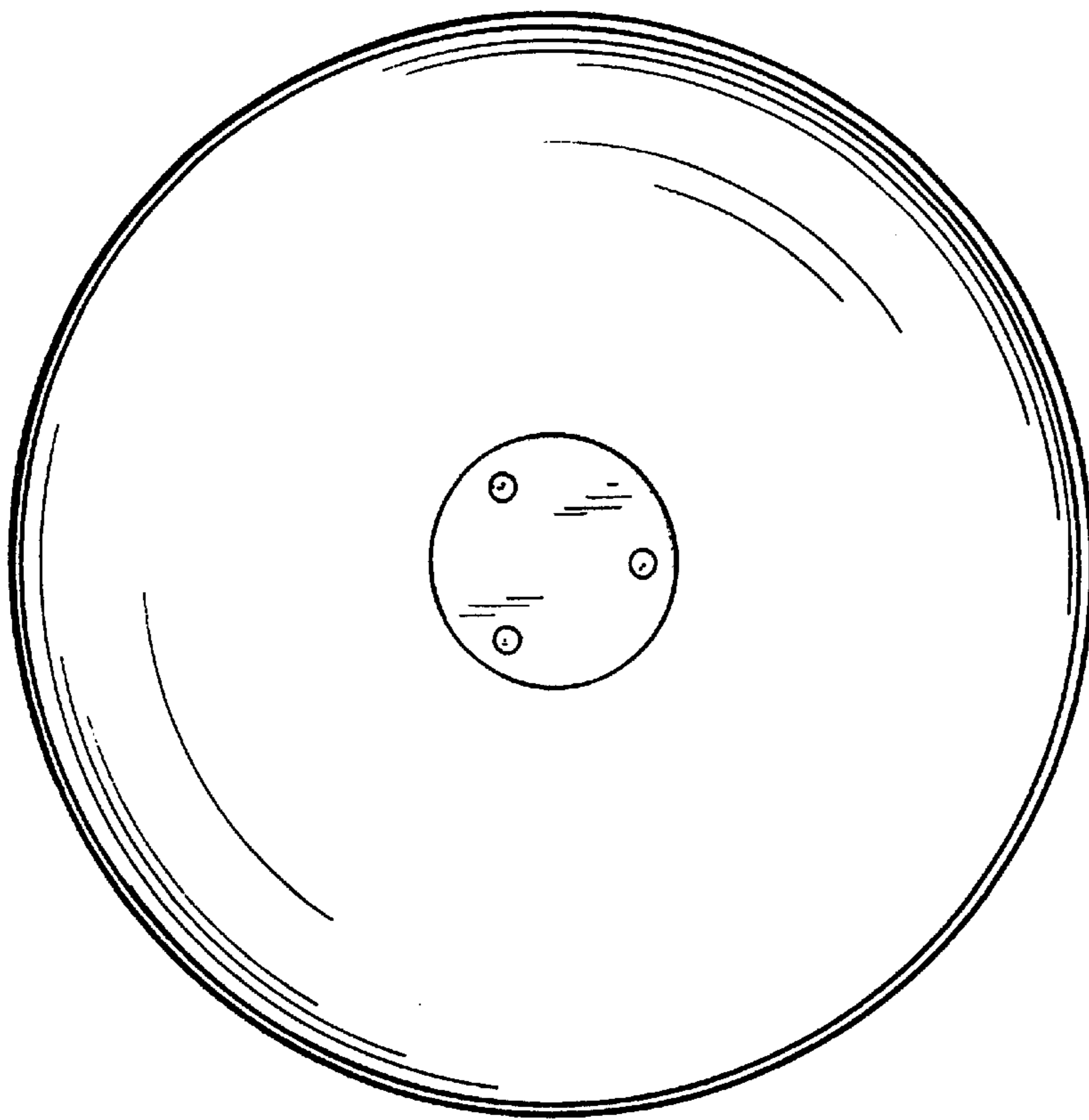


Fig-3

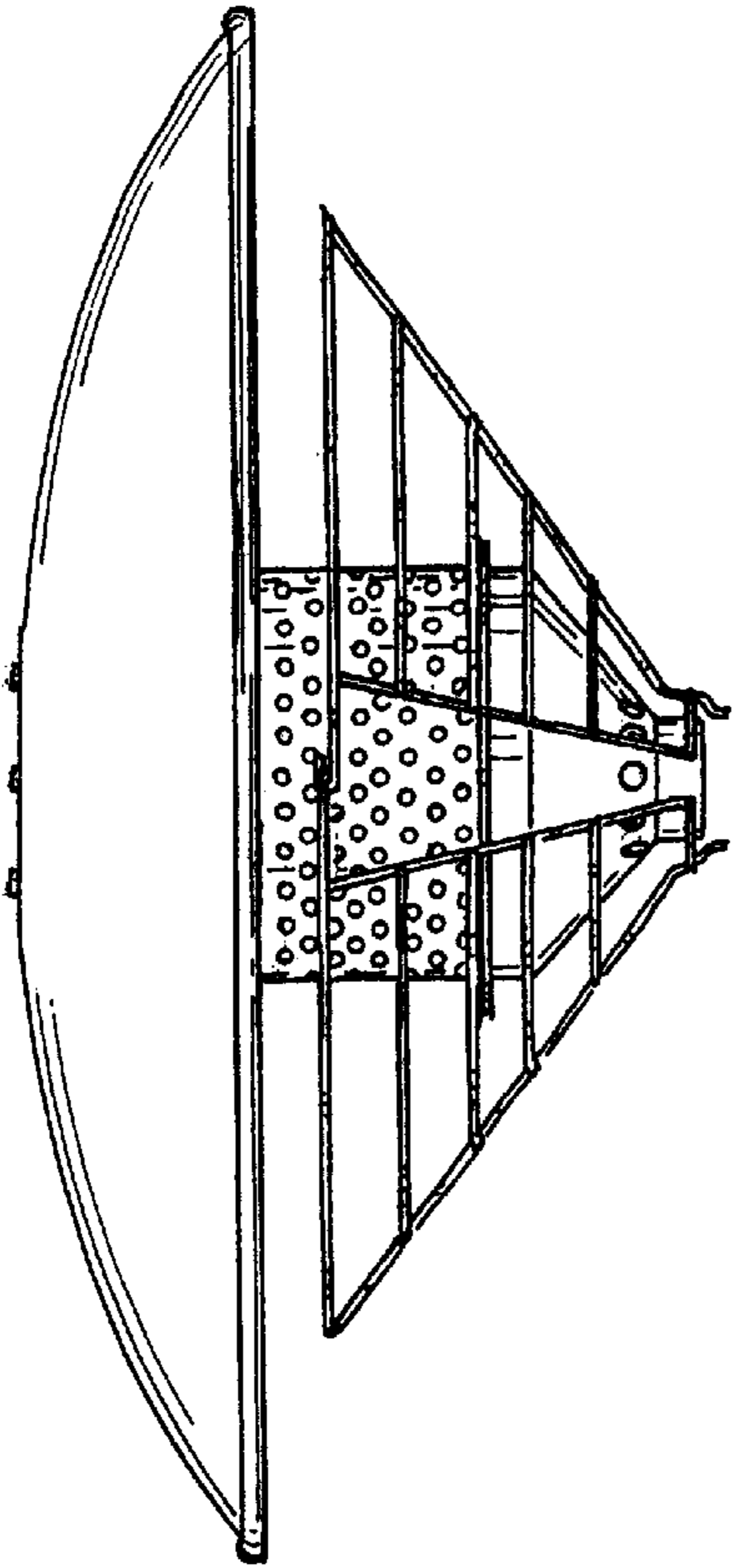


Fig-4

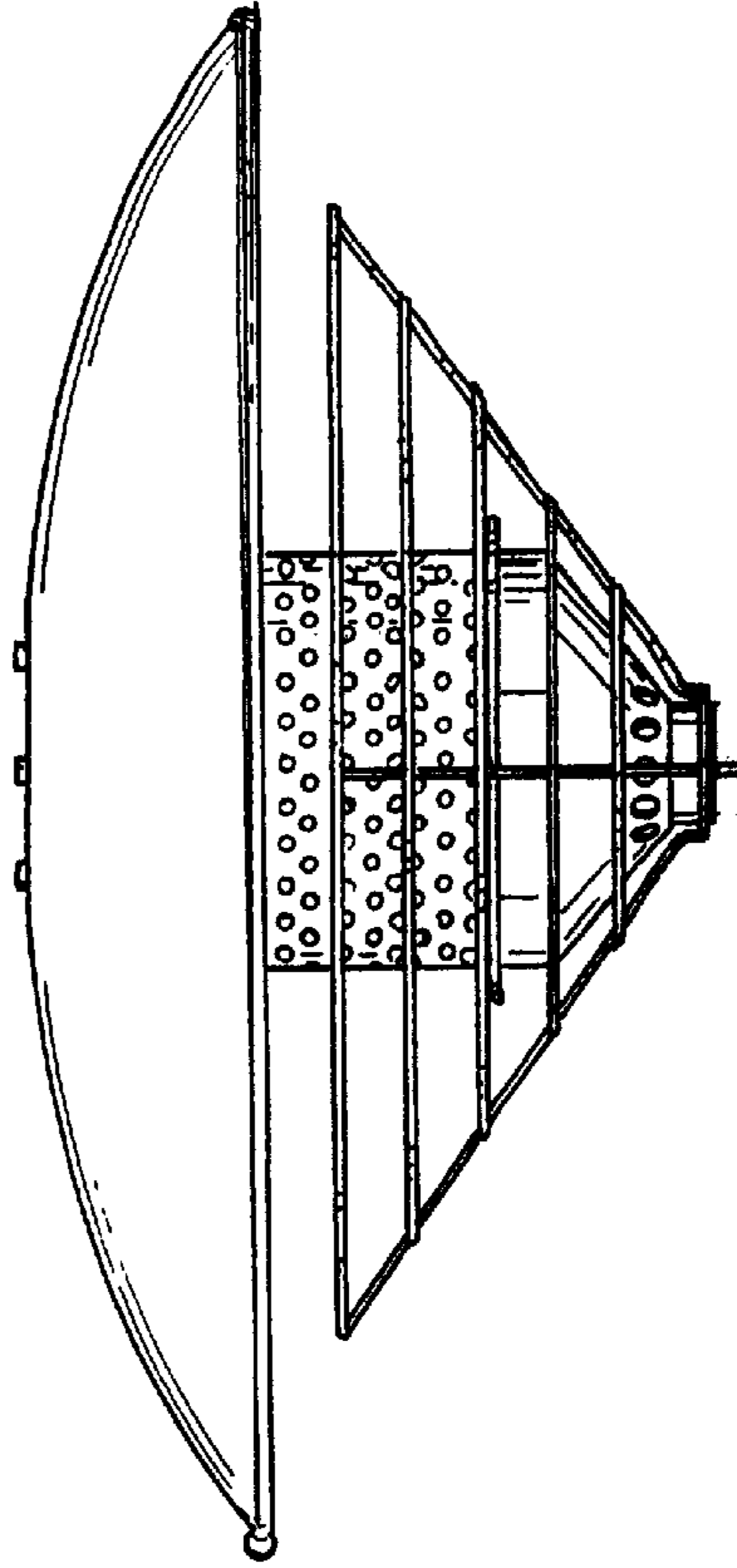


Fig-5