



US00D445888S

(12) **United States Design Patent**
Lee

(10) **Patent No.:** **US D445,888 S**

(45) **Date of Patent:** **** Jul. 31, 2001**

(54) **CEILING FAN**

(75) Inventor: **Ching-Jung Lee**, Taipei (TW)

(73) Assignee: **P.T. Alaskair Maspion (ID)**

(**) Term: **14 Years**

(21) Appl. No.: **29/133,703**

(22) Filed: **Dec. 4, 2000**

(30) **Foreign Application Priority Data**

Aug. 11, 2000 (TW) 089305445

(51) **LOC (7) Cl.** **23-04**

(52) **U.S. Cl.** **D23/377**

(58) **Field of Search** D23/377, 379,
D23/411, 413, 385; 416/5

(56) **References Cited**

U.S. PATENT DOCUMENTS

D. 339,191 * 9/1993 Vieyra D23/377

D. 382,955 * 8/1997 Liu D23/411

D. 383,528 * 9/1997 Collmar D23/377

* cited by examiner

Primary Examiner—Lisa Lichtenstein

(74) *Attorney, Agent, or Firm*—Alan D. Kamrath; Rider, Bennett, Egan & Arundel, LLP

(57) **CLAIM**

The ornamental design for a ceiling fan, as shown.

DESCRIPTION

FIG. 1 is a perspective view of a ceiling fan, showing my new design;

FIG. 2 is a front elevational view thereof;

FIG. 3 is a rear elevational view thereof;

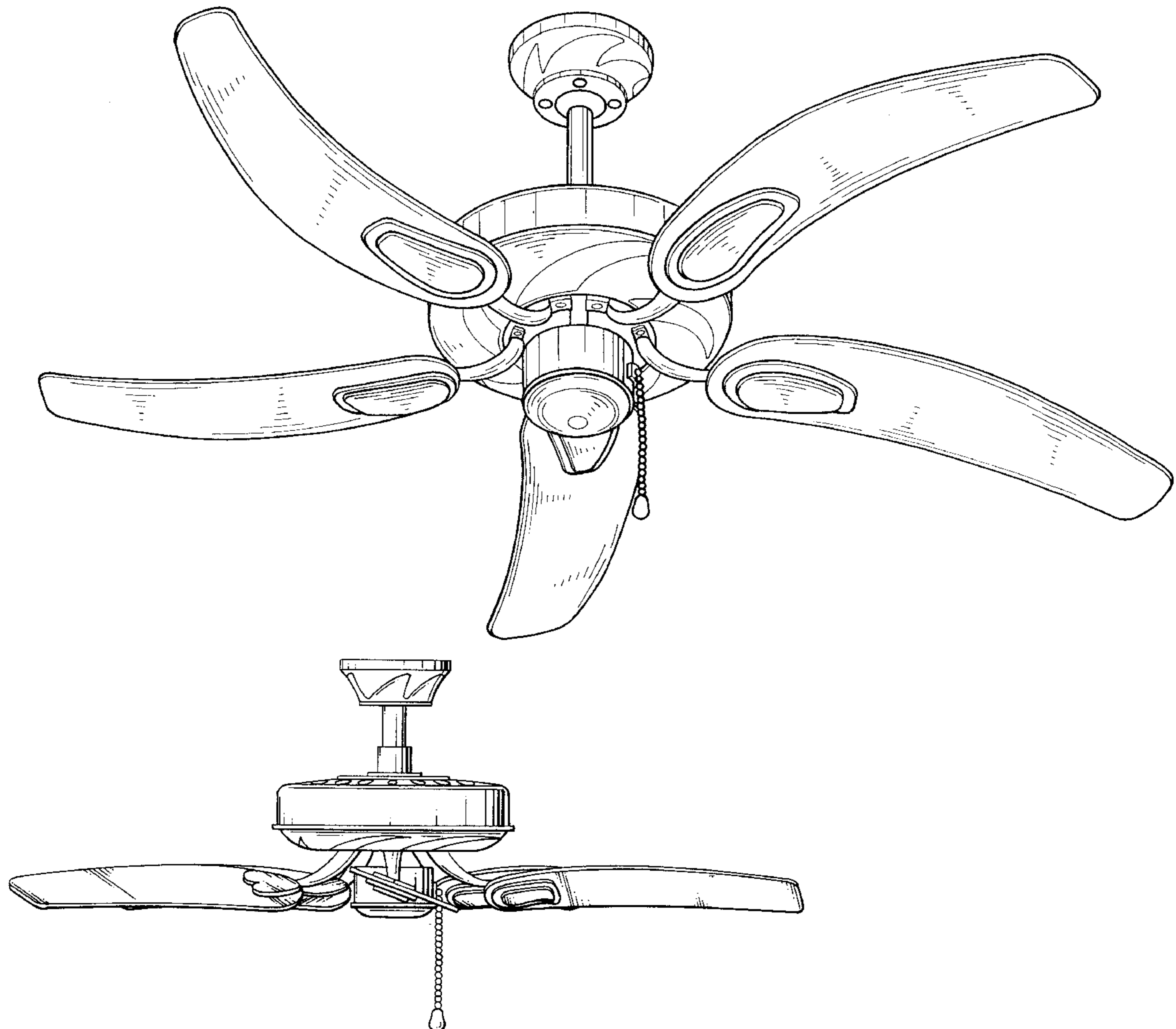
FIG. 4 is a left elevational view thereof;

FIG. 5 is a right elevational view thereof;

FIG. 6 is top plan view thereof; and,

FIG. 7 is a bottom plan view thereof.

1 Claim, 7 Drawing Sheets



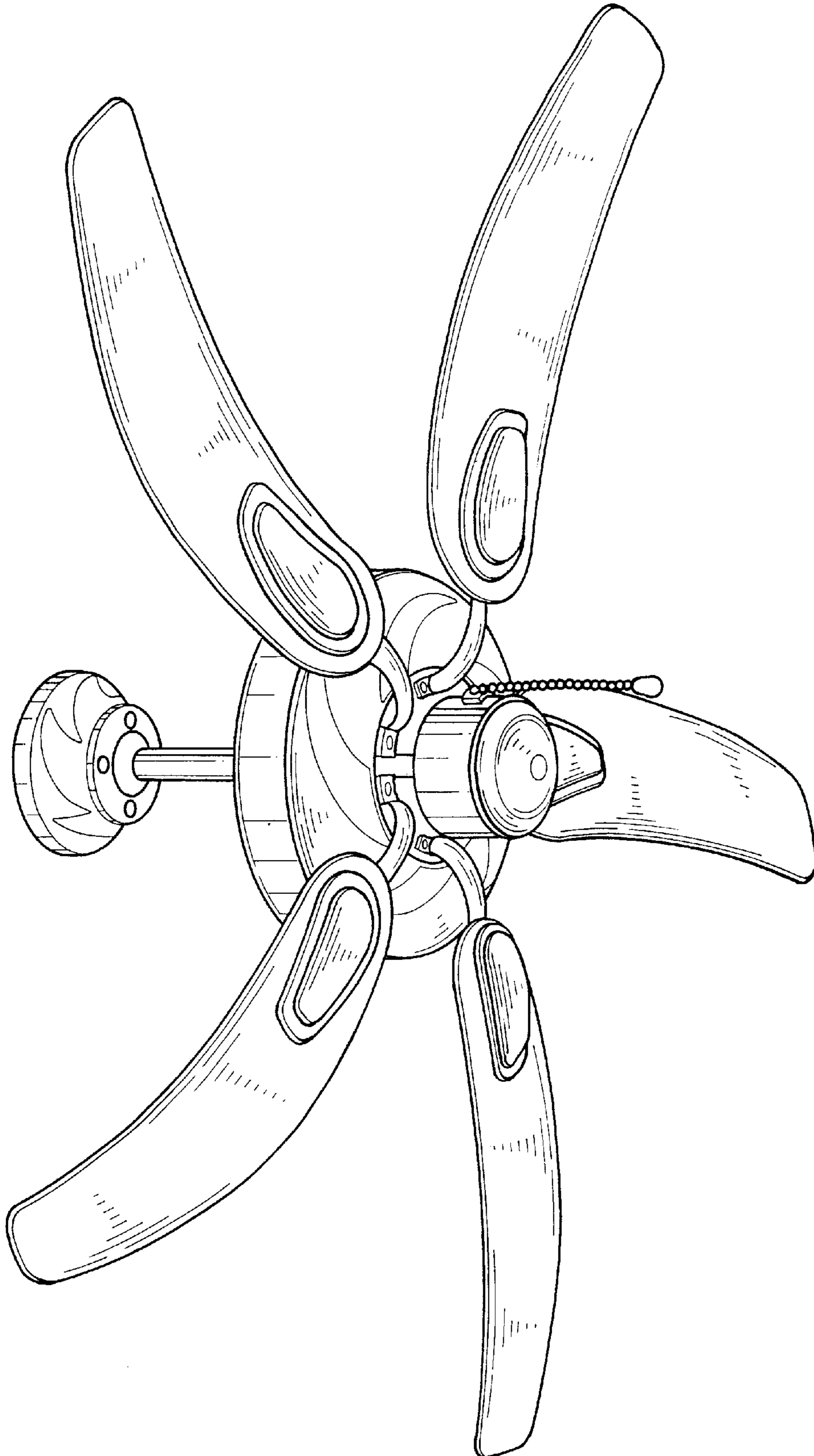


FIG. 1

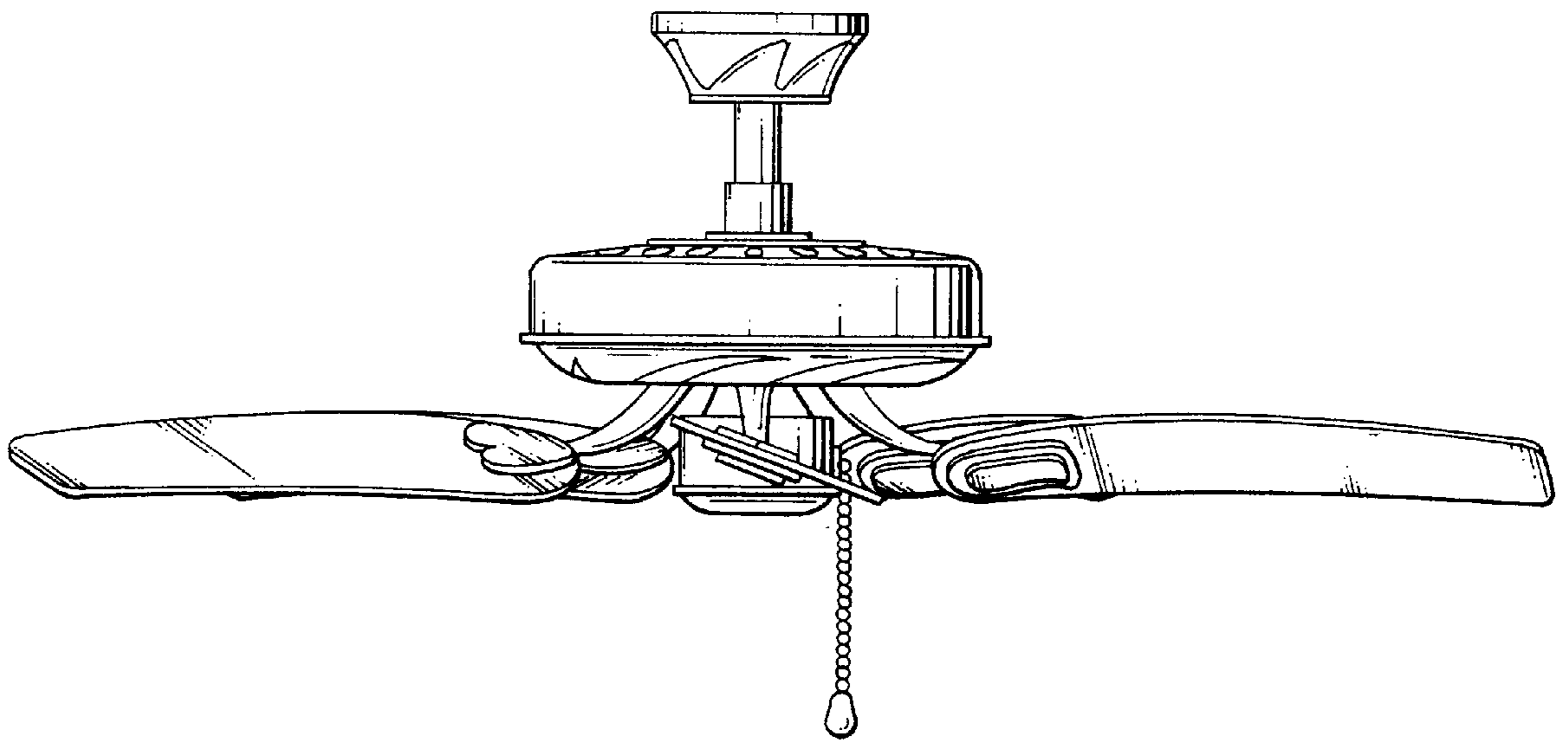


FIG. 2

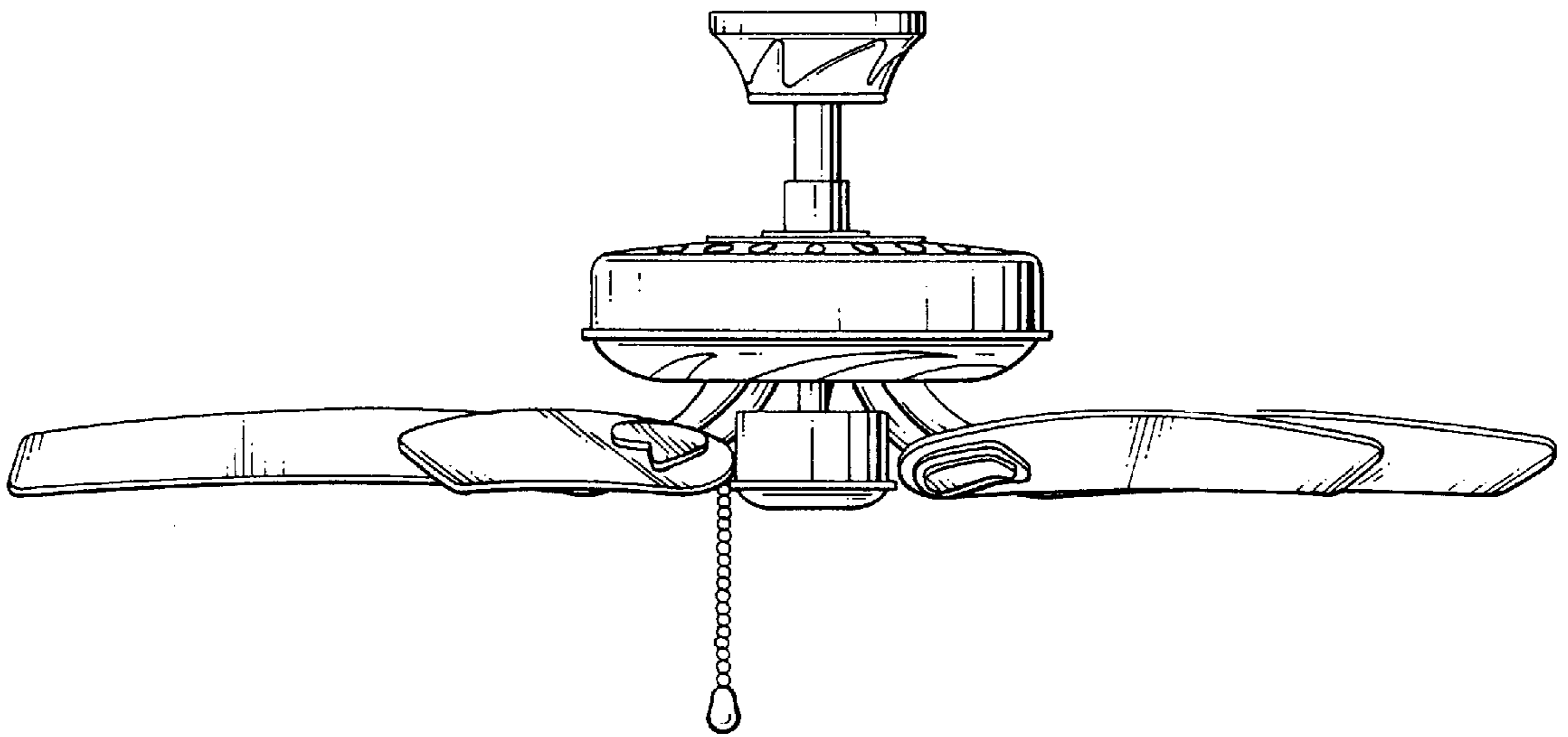


FIG. 3

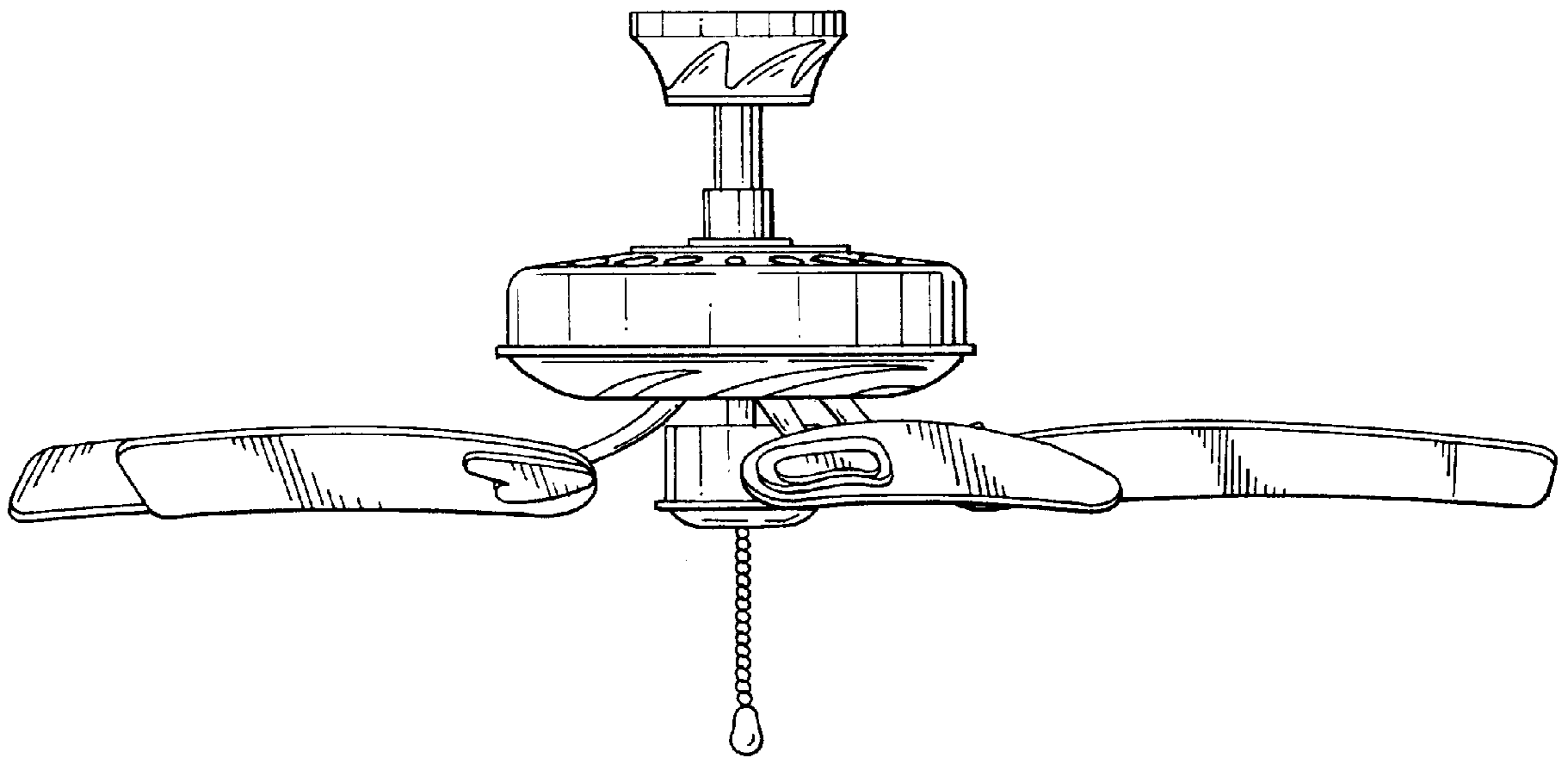


FIG. 4

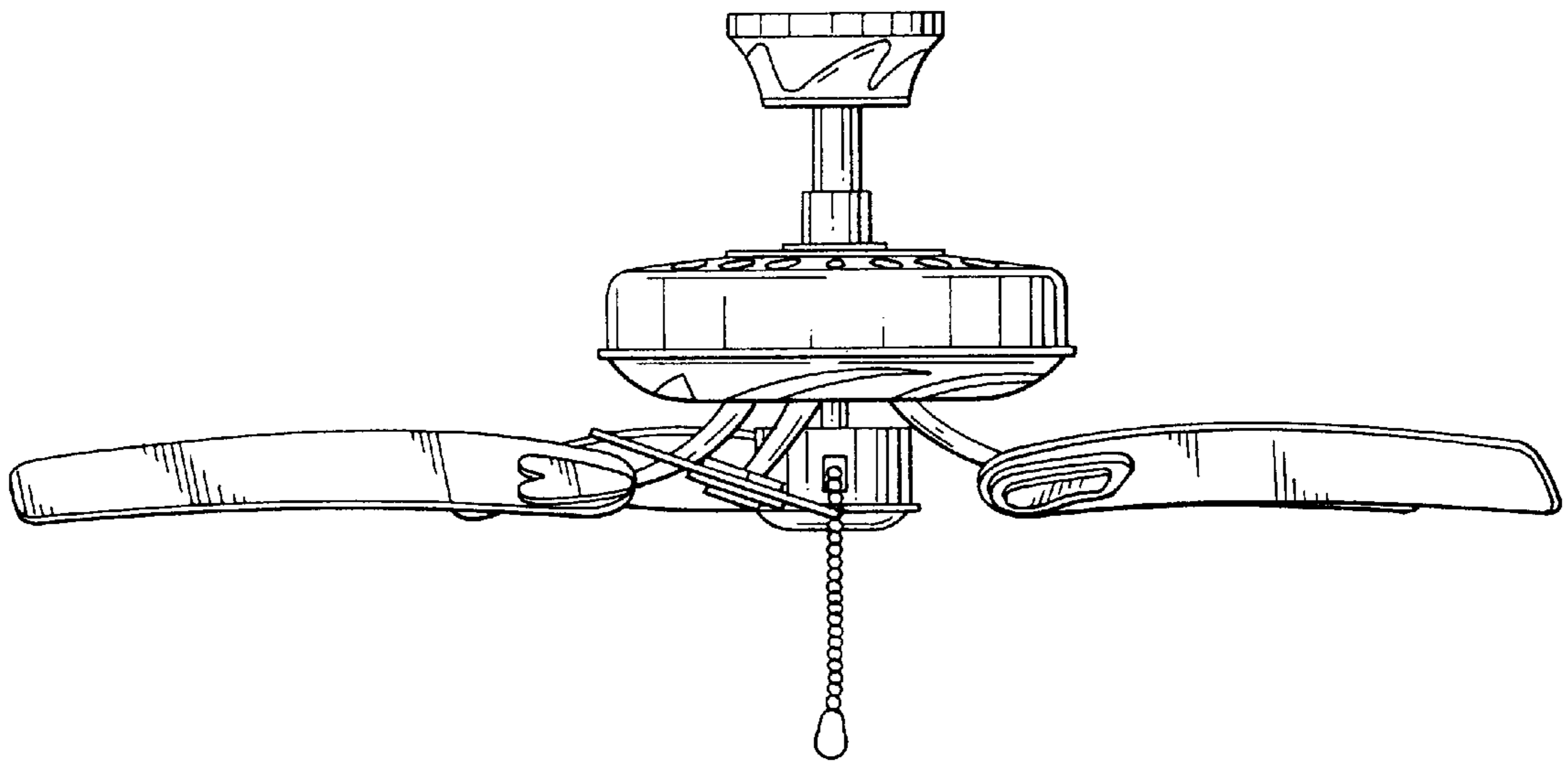


FIG. 5

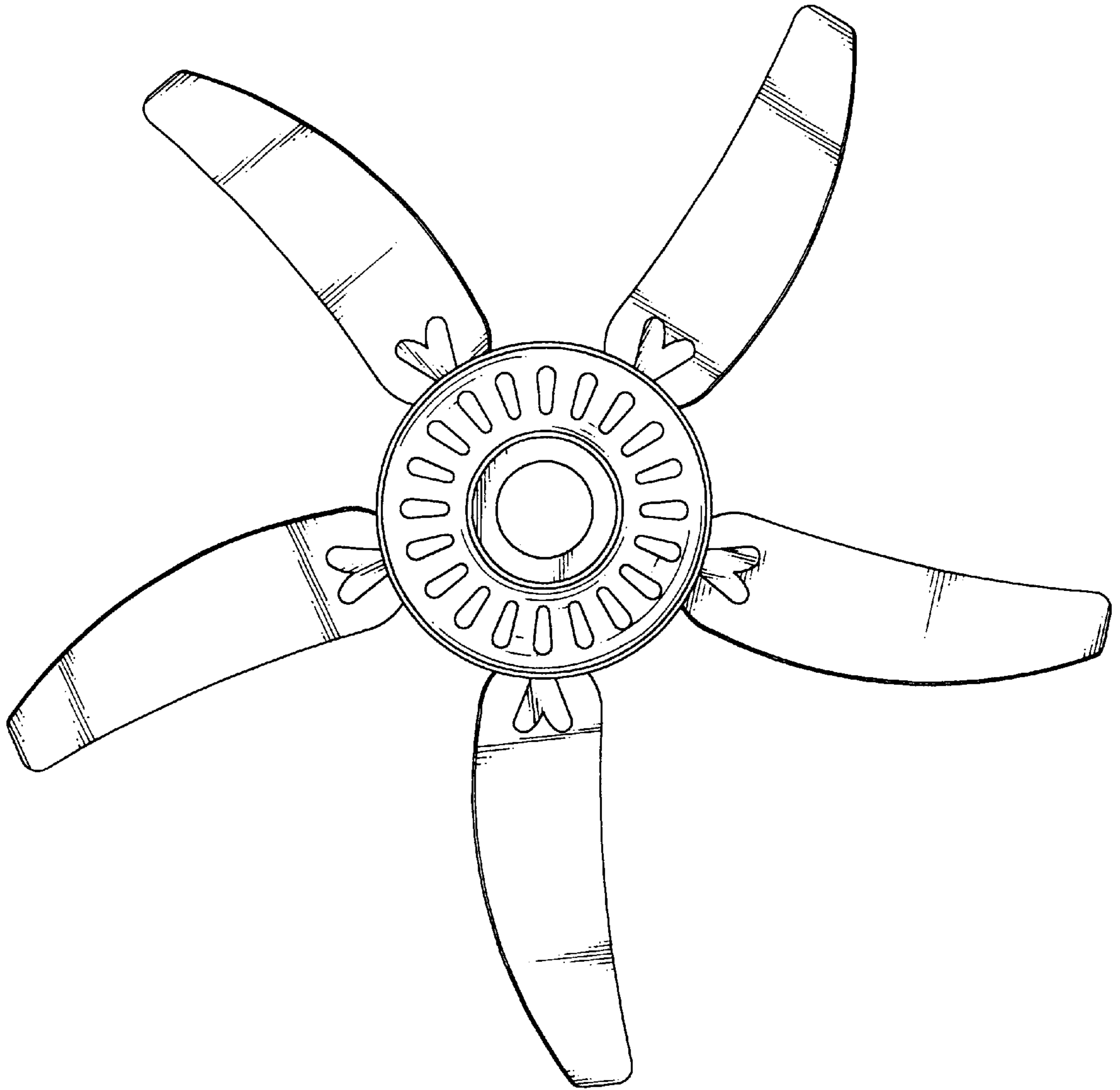


FIG. 6

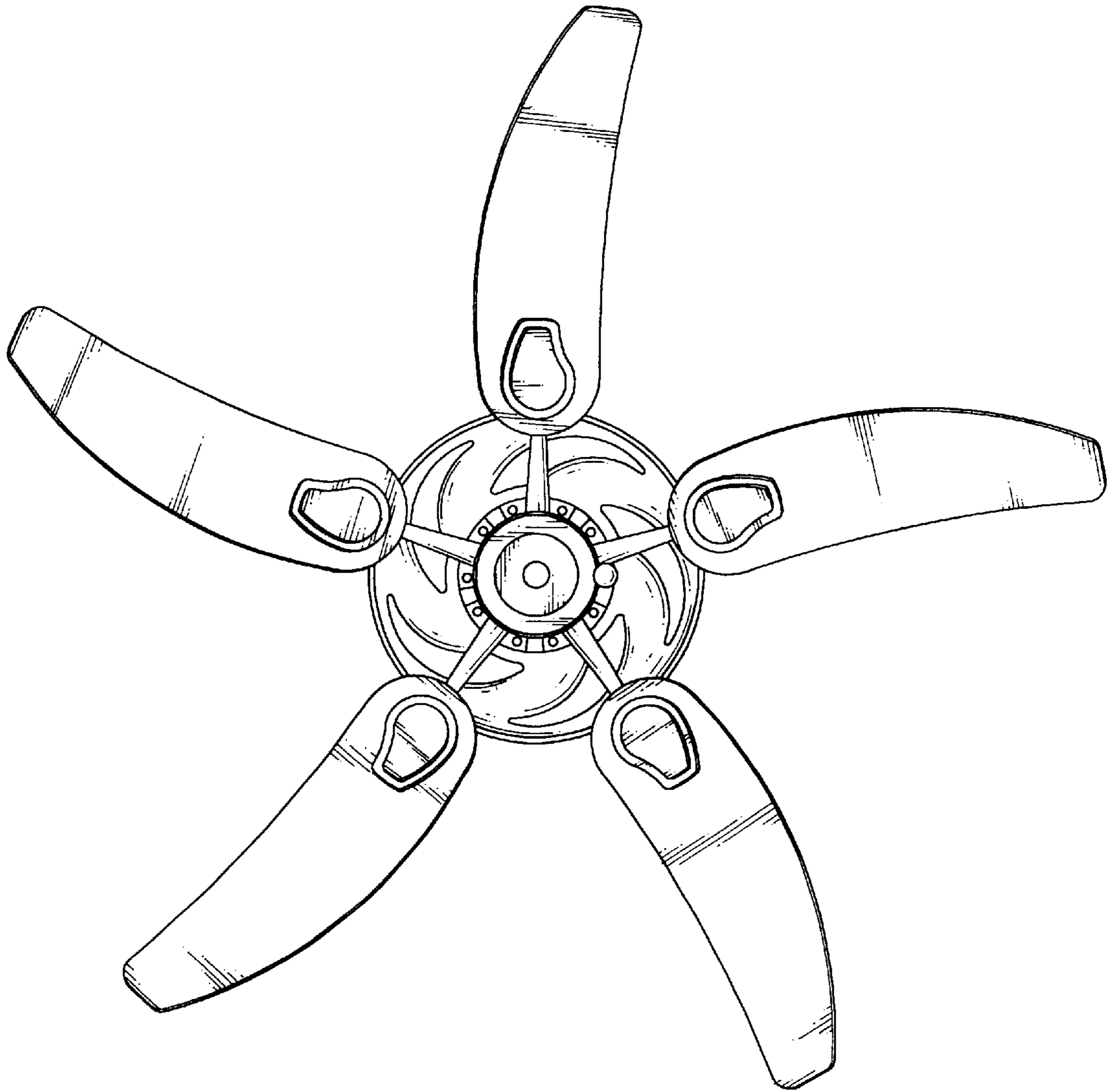


FIG. 7