



US00D445887S

(12) **United States Design Patent**
Campbell

(10) **Patent No.:** **US D445,887 S**

(45) **Date of Patent:** **** Jul. 31, 2001**

(54) **COMBINED CEILING FAN AND LIGHT
FIXTURE**

(74) *Attorney, Agent, or Firm*—Garrison, Morris, Haight & Morrow, PLLC

(75) **Inventor:** **Glennbruce S. Campbell**, Memphis, TN (US)

(57) **CLAIM**

The ornamental design of a combined ceiling fan and light fixture, as shown and described.

(73) **Assignee:** **Hunter Fan Company**, Memphis, TN (US)

DESCRIPTION

(**) **Term:** **14 Years**

FIG. 1 is a perspective view of a ceiling fan and light fixture showing my new design;

(21) **Appl. No.:** **29/123,683**

FIG. 2 is a perspective view of the design shown in FIG. 1 with the environmental structure removed therefrom;

(22) **Filed:** **May 23, 2000**

FIG. 3 is a front view of FIG. 2;

(51) **LOC (7) Cl.** **23-04**

FIG. 4 is a right-side view of FIG. 2;

(52) **U.S. Cl.** **D23/377**

FIG. 5 is a rear view of FIG. 2;

(58) **Field of Search** D23/377, 379,
D23/385, 411, 413; 416/5

FIG. 6 is a left-side view of FIG. 2;

FIG. 7 is a top view of FIG. 2;

FIG. 8 is a bottom view of FIG. 2; and,

(56) **References Cited**

FIG. 9 is an enlarged perspective view of the design shown in FIG. 2 with the included fan blades shown in fragmentary view.

U.S. PATENT DOCUMENTS

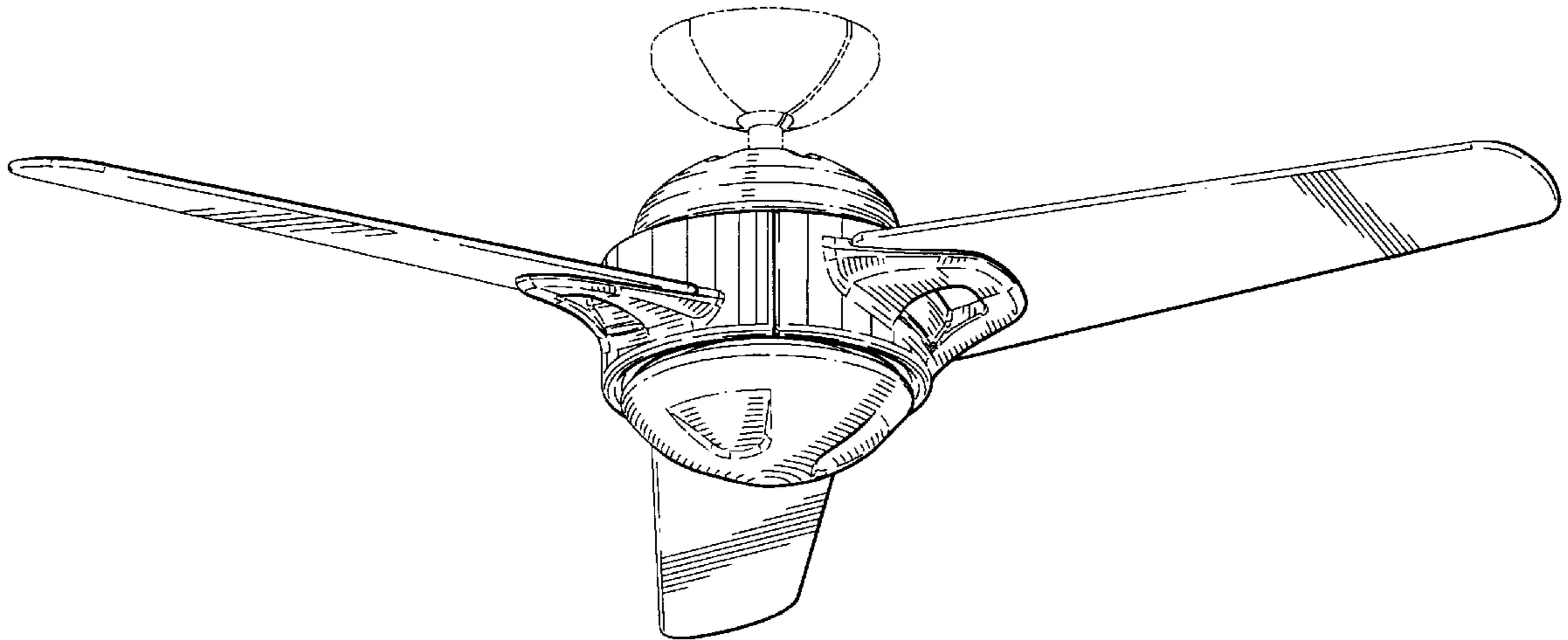
The broken line showing of environmental structure shown in FIG. 1 is for illustrative purposes only and forms no part of the claimed design.

D. 428,984 * 8/2000 Lee D23/377

* cited by examiner

Primary Examiner—Lisa Lichtenstein

1 Claim, 9 Drawing Sheets



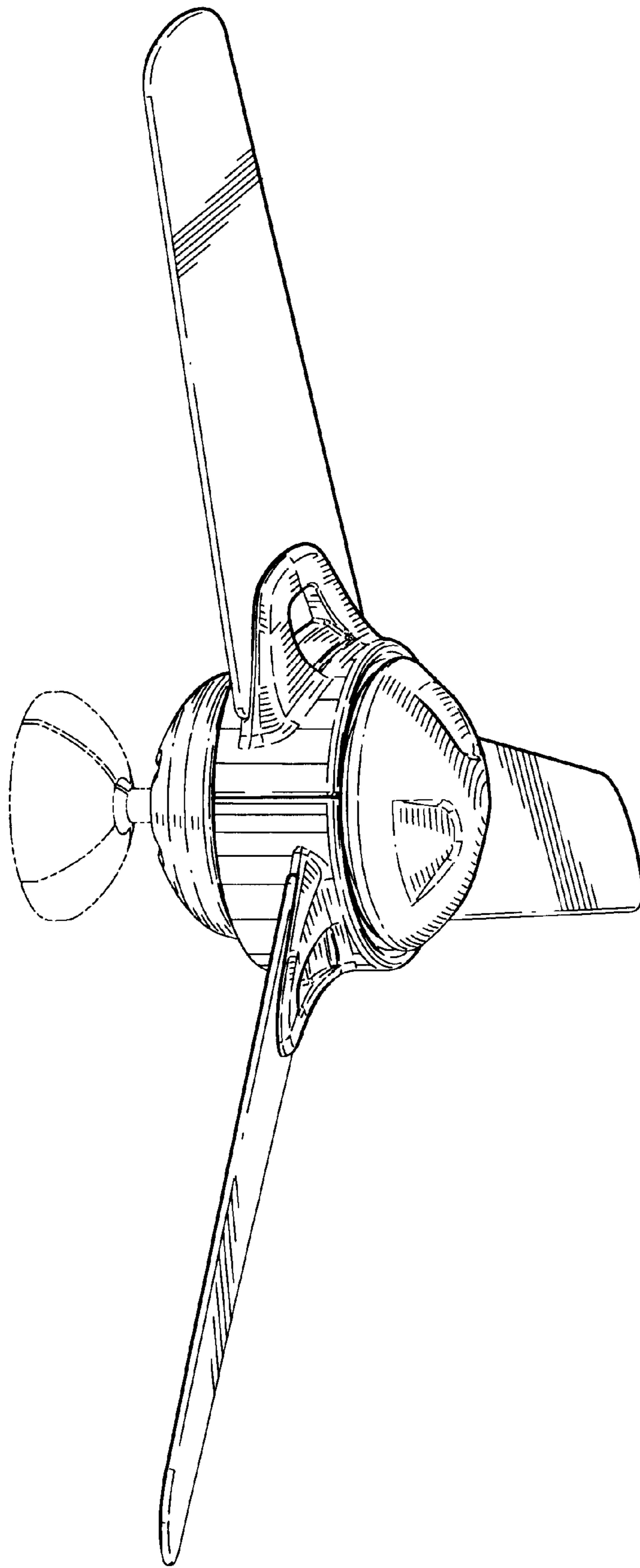


FIG 1

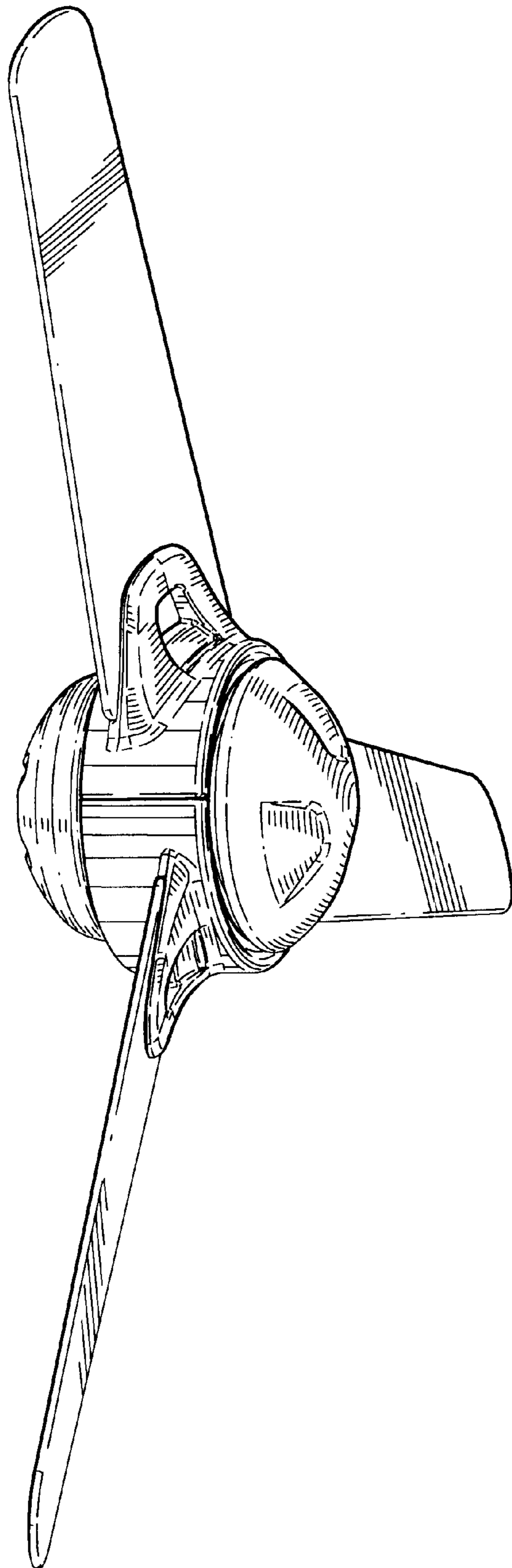


FIG 2

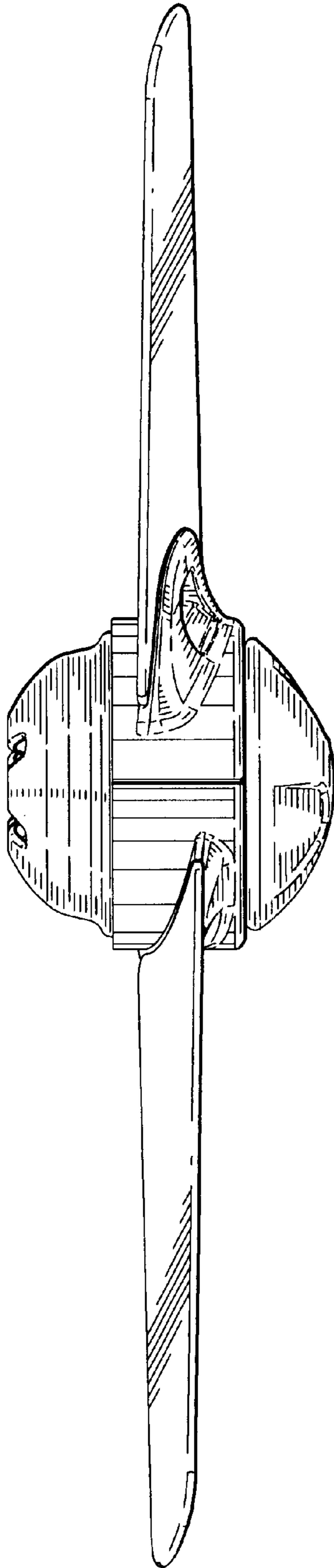


FIG 3

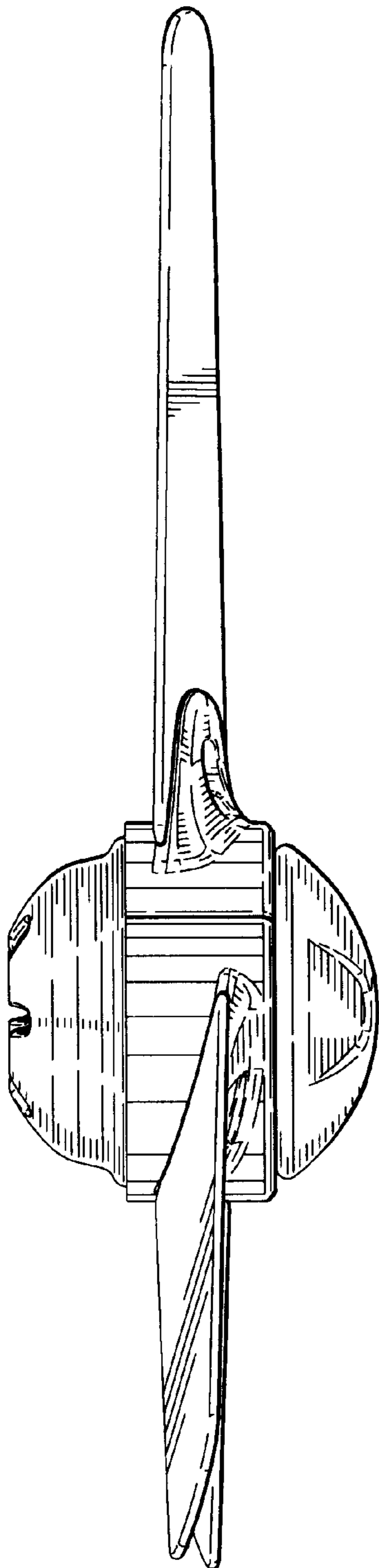


FIG 4

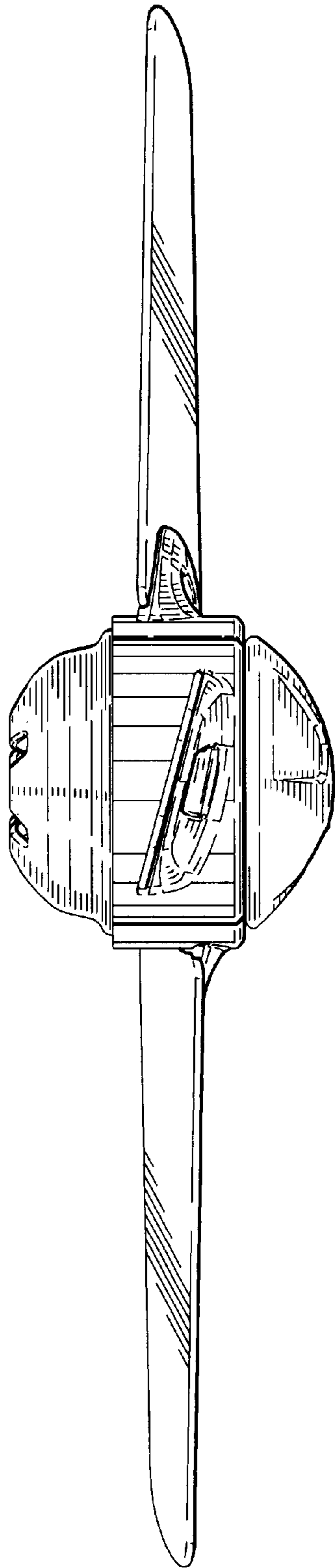


FIG 5

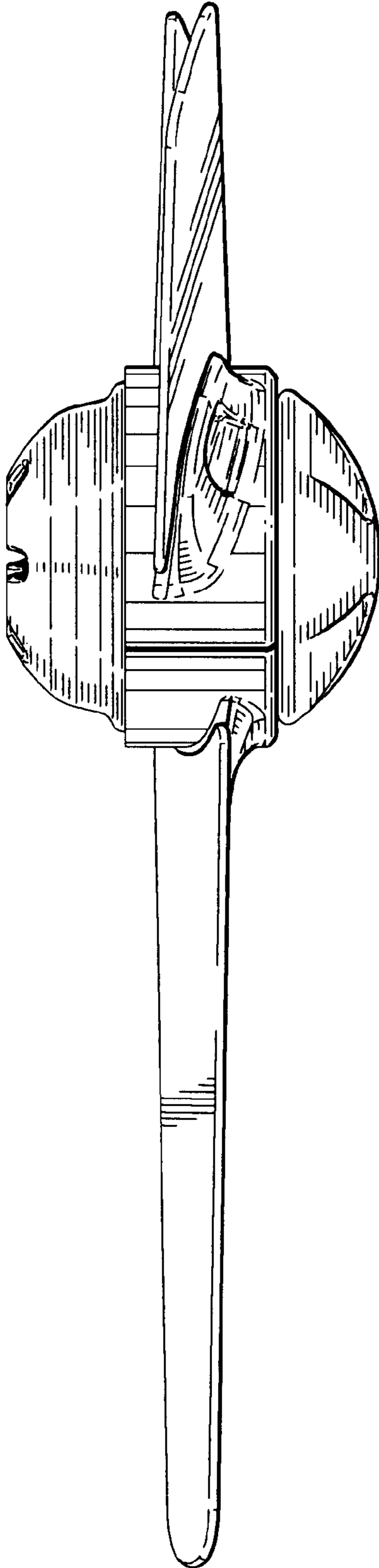


FIG 6

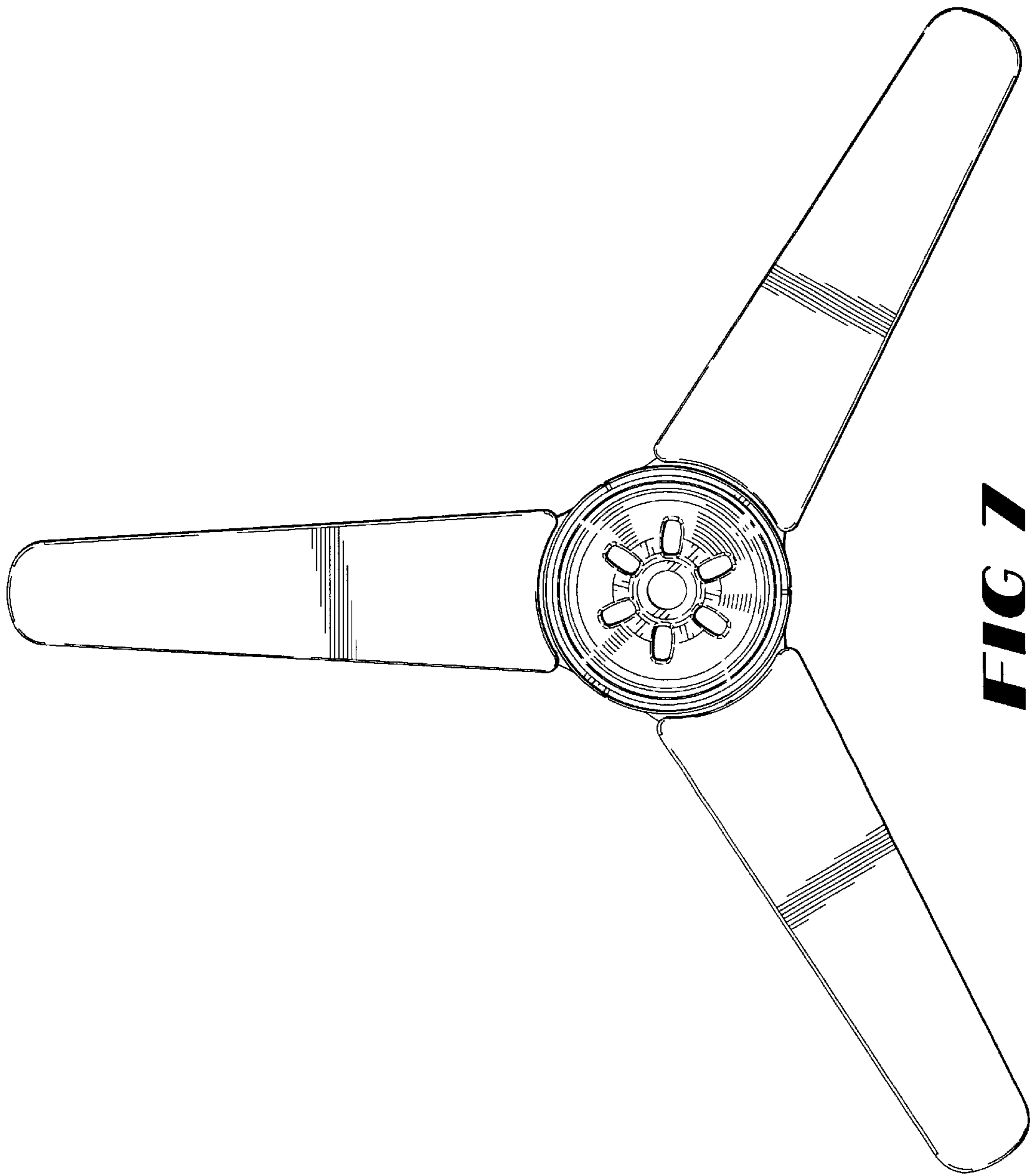


FIG 7

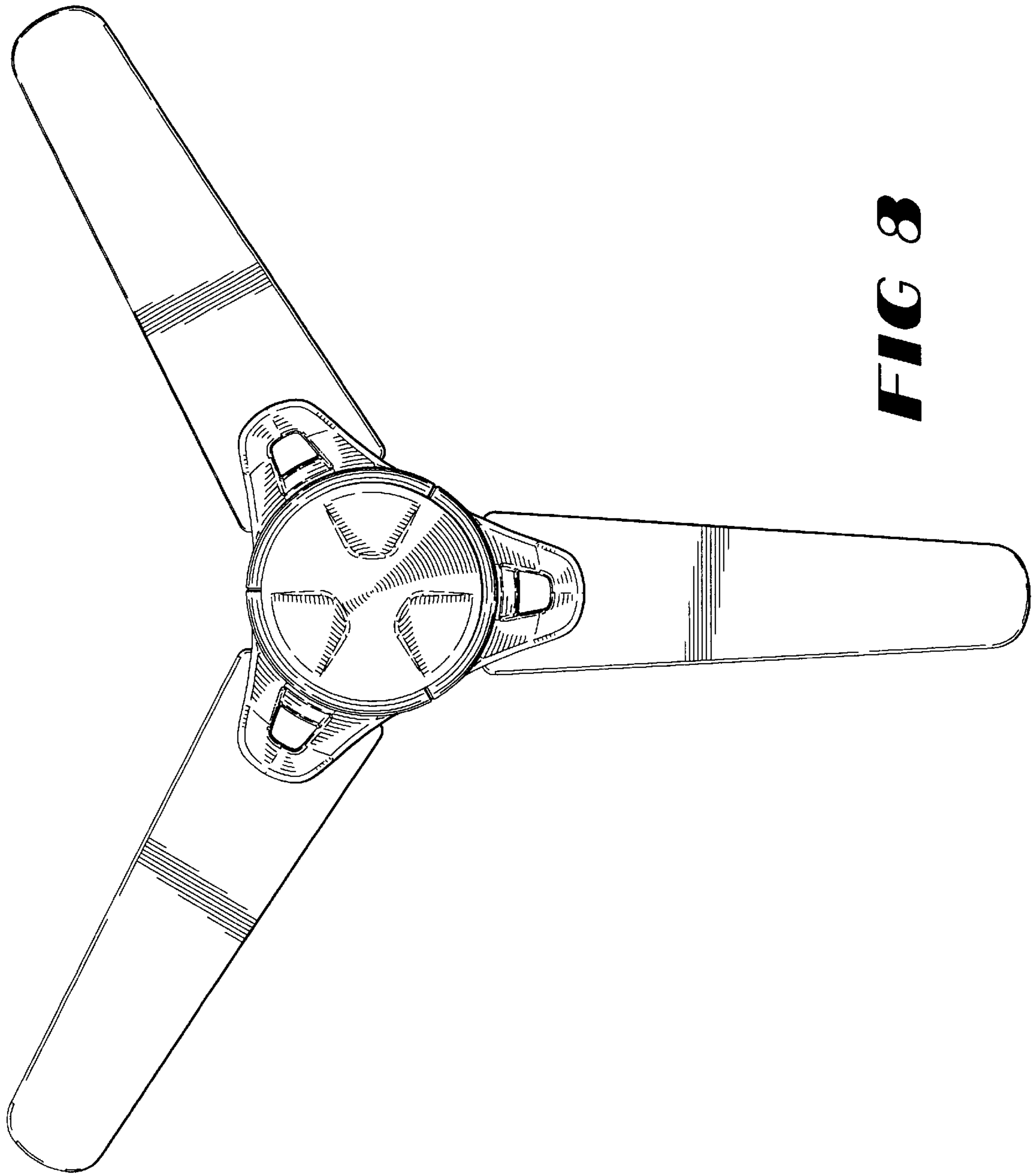


FIG 8

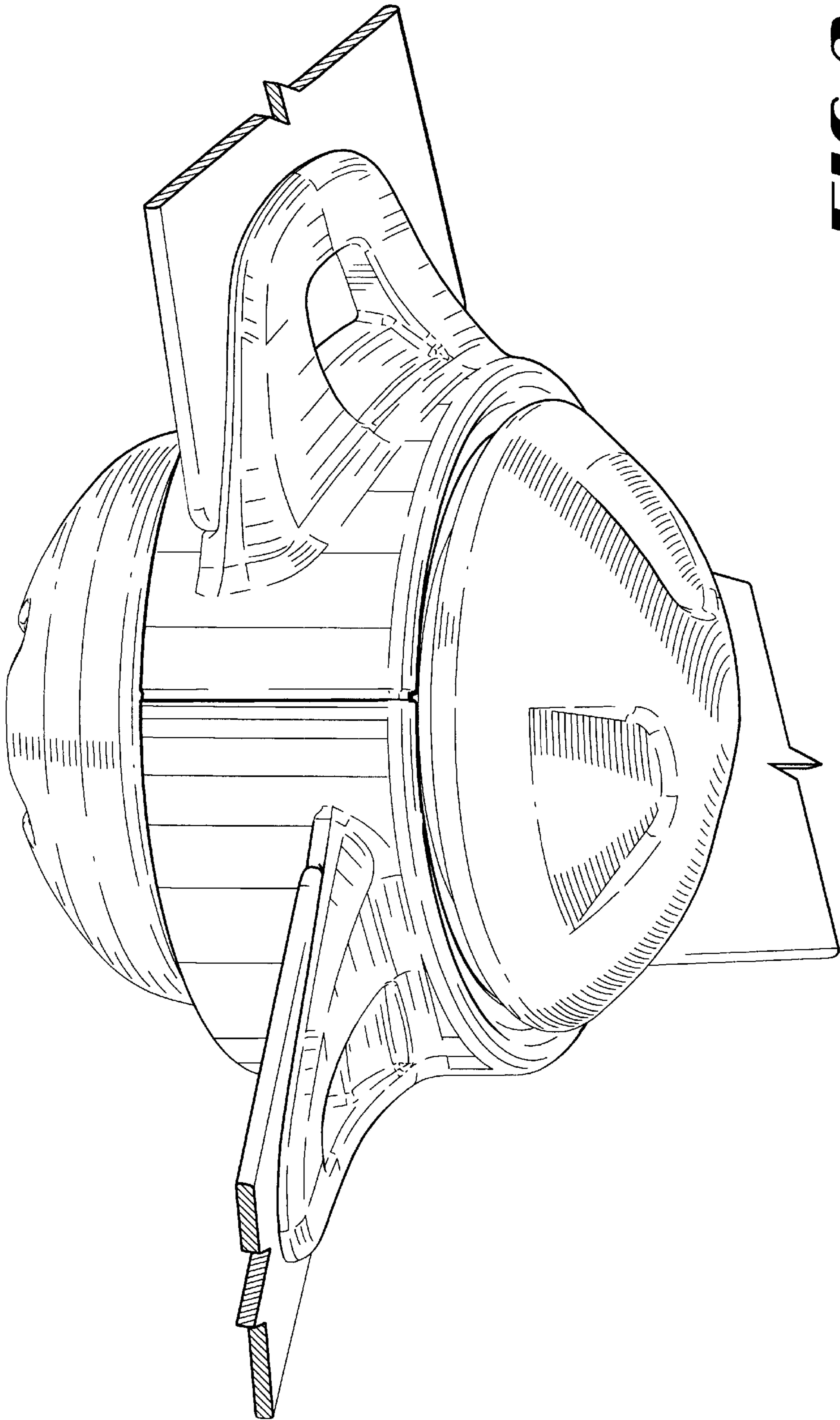


FIG 9