



US00D445886S

(12) **United States Design Patent**
Mori et al.

(10) **Patent No.:** **US D445,886 S**
(45) **Date of Patent:** **** Jul. 31, 2001**

(54) **EXHAUST SWITCHING UNIT**

(75) Inventors: **Yoji Mori**, Nagoya; **Hiroshi Kino**,
Ogaki; **Yuji Matsuoka**, Kakamigahara;
Akira Murakumo; **Hiroshi**
Kagohashi, both of Kasugai, all of (JP)

(73) Assignee: **CKD Corporation (JP)**

(**) Term: **14 Years**

(21) Appl. No.: **29/117,538**

(22) Filed: **Jan. 24, 2000**

(30) **Foreign Application Priority Data**

Jul. 30, 1999 (JP) 11-20748
Jul. 30, 1999 (JP) 11-20749

(51) **LOC (7) Cl.** **23-04**

(52) **U.S. Cl.** **D23/371**

(58) **Field of Search** D23/371, 421;
D32/1; 48/180.1, 190, 3 R; 55/350, 410,
418, DIG. 32, 467, 527; 222/3, 6, 195,
476, 544; 431/18

(56) **References Cited**

U.S. PATENT DOCUMENTS

D. 83,232 * 2/1931 McClintock D23/421
D. 303,854 * 10/1989 Linton D32/1
1,975,316 * 10/1934 Ferris D23/421 X
6,082,993 * 7/2000 O'Leary 431/18

* cited by examiner

Primary Examiner—Mitchell Siegel

(74) *Attorney, Agent, or Firm*—D. Peter Hochberg;
Katherine R. Vieyra; William H. Holt

(57) **CLAIM**

The ornamental design for an exhaust switching unit, as
shown and described.

DESCRIPTION

FIG. 1 is a front elevational view showing an exhaust

switching unit according to a first embodiment of the present
invention;

FIG. 2 is a rear elevational view of the unit of FIG. 1;

FIG. 3 is a top plan view of the unit of FIG. 1;

FIG. 4 is a bottom plan view of the unit of FIG. 1;

FIG. 5 is a left side elevational view of the unit of FIG. 1;

FIG. 6 is a right side elevational view of the unit of FIG. 1;

FIG. 7 is a top front perspective view of the unit of FIG. 1;

FIG. 8 is a bottom rear perspective view of the unit of FIG.
1;

FIG. 9 is a bottom rear perspective view showing an exhaust
switching unit according to a second embodiment, wherein
the front elevational view, the top plan view, the left side and
right side elevational views and the top front perspective
view are the same as those of the first embodiment;

FIG. 10 is a front elevational view showing an exhaust
switching unit according to a third embodiment of the
present invention;

FIG. 11 is a rear elevational view of the unit of FIG. 10;

FIG. 12 is a top plan view of the unit of FIG. 10;

FIG. 13 is a bottom plan view of the unit of FIG. 10;

FIG. 14 is a left side elevational view of the unit of FIG. 10;

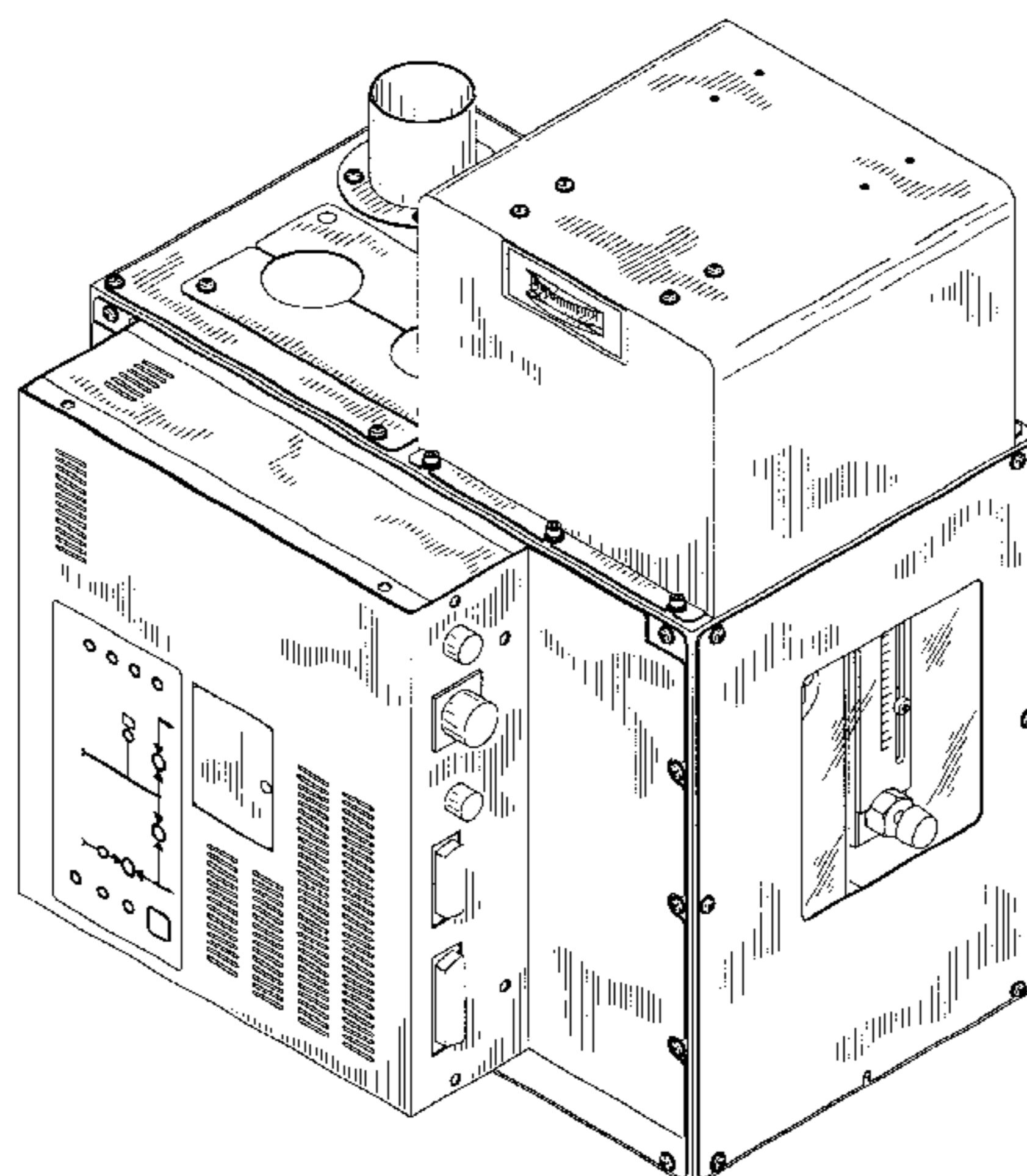
FIG. 15 is a right side elevational view of the unit of FIG.
10;

FIG. 16 is a top front perspective view of the unit of FIG. 10;

FIG. 17 is a bottom rear perspective view of the unit of FIG.
10; and,

FIG. 18 is a bottom rear perspective view showing an
exhaust switching unit according to a fourth embodiment,
wherein the front elevational view, the top plan view, the left
side and right side elevational views and the top front
perspective view are the same as those of the third embodi-
ment.

1 Claim, 12 Drawing Sheets



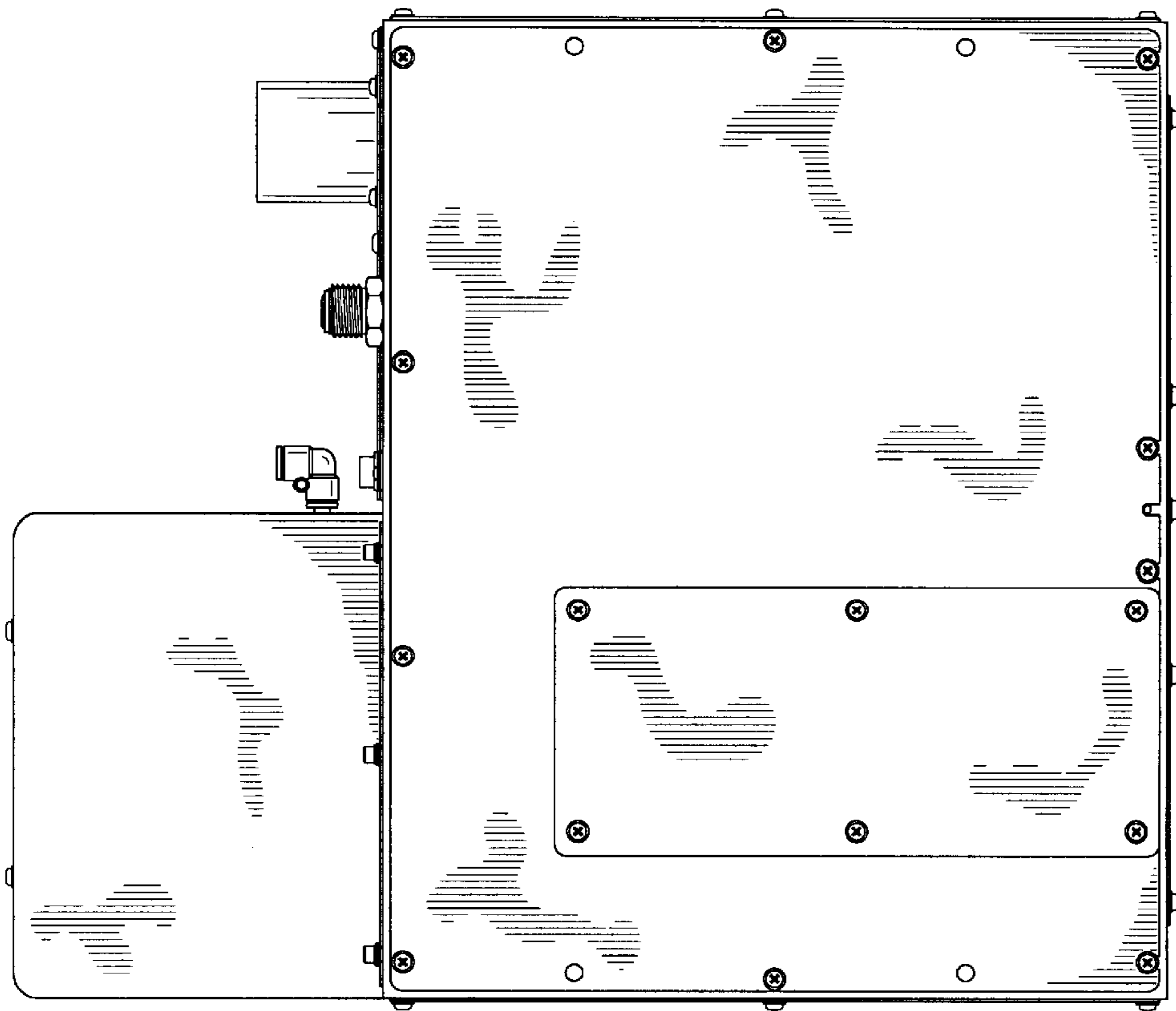


FIG-2

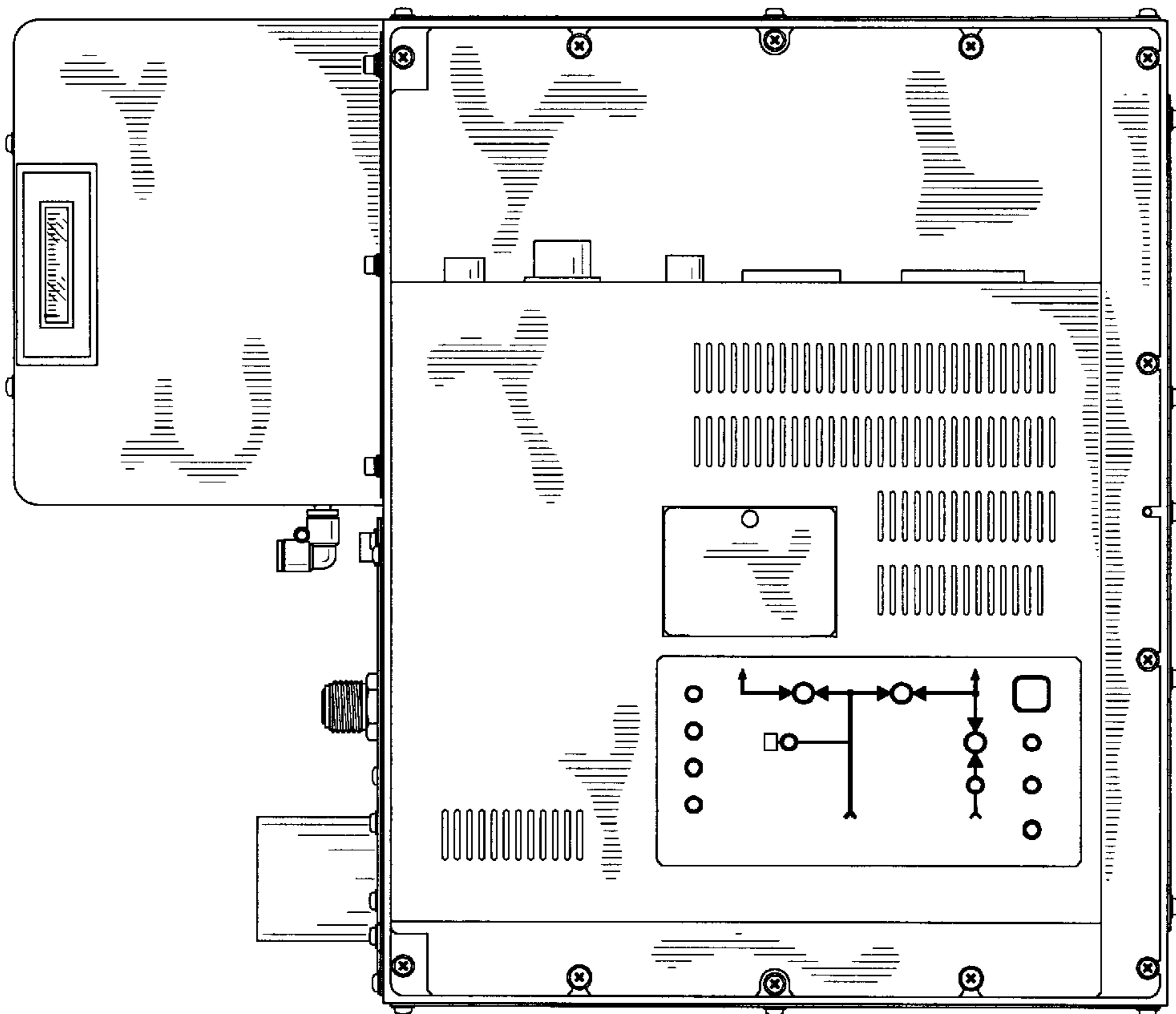


FIG-1

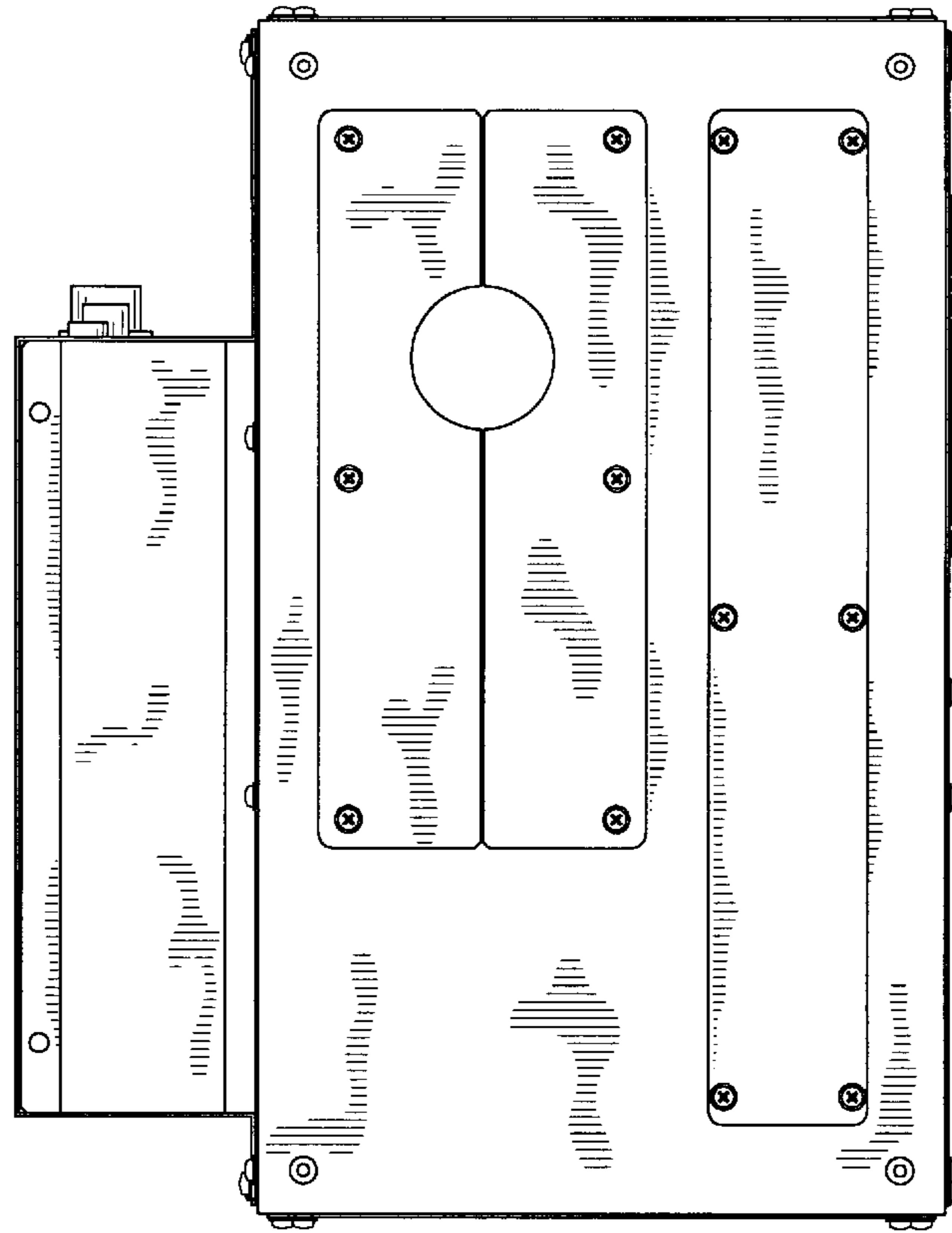


FIG-4

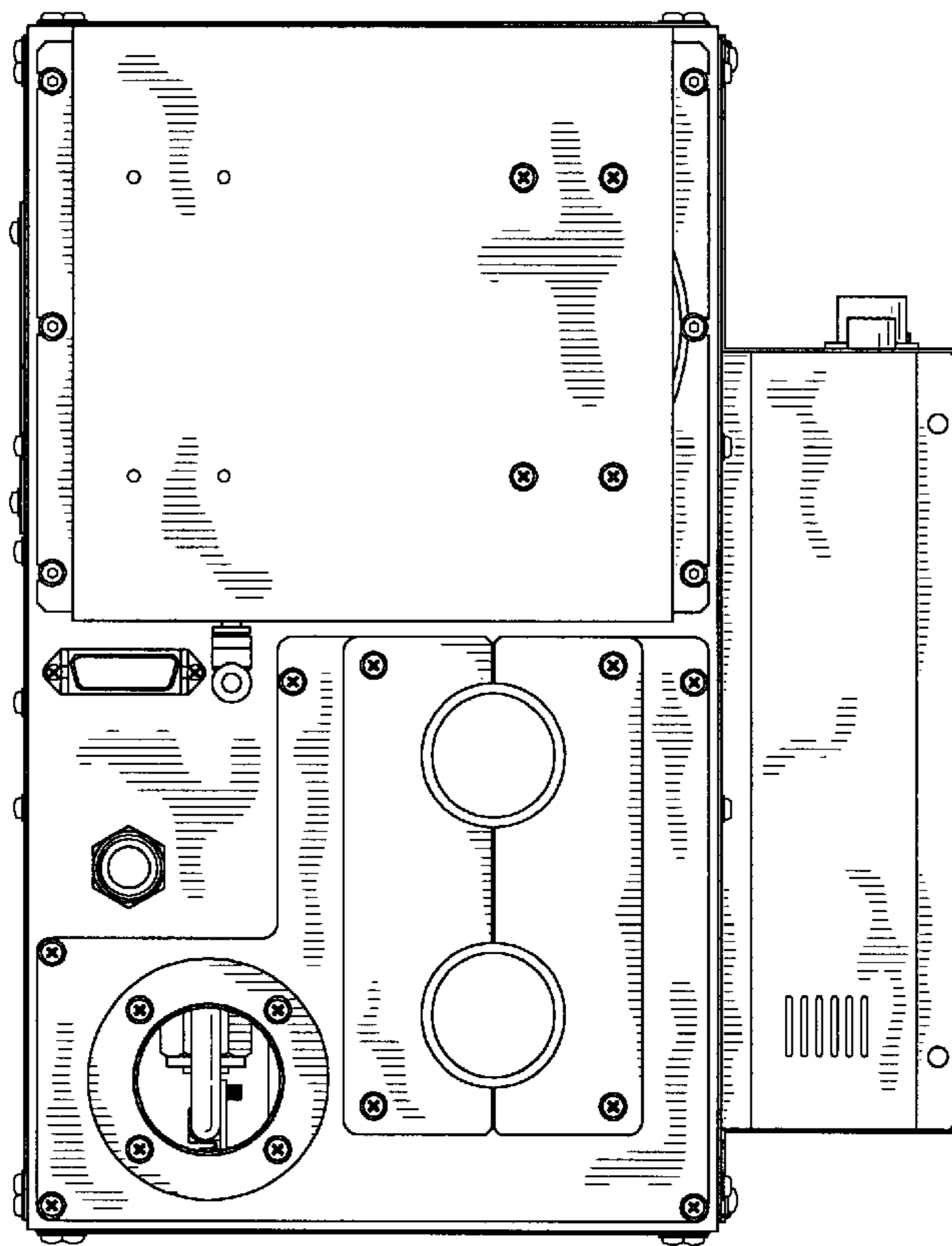


FIG-3

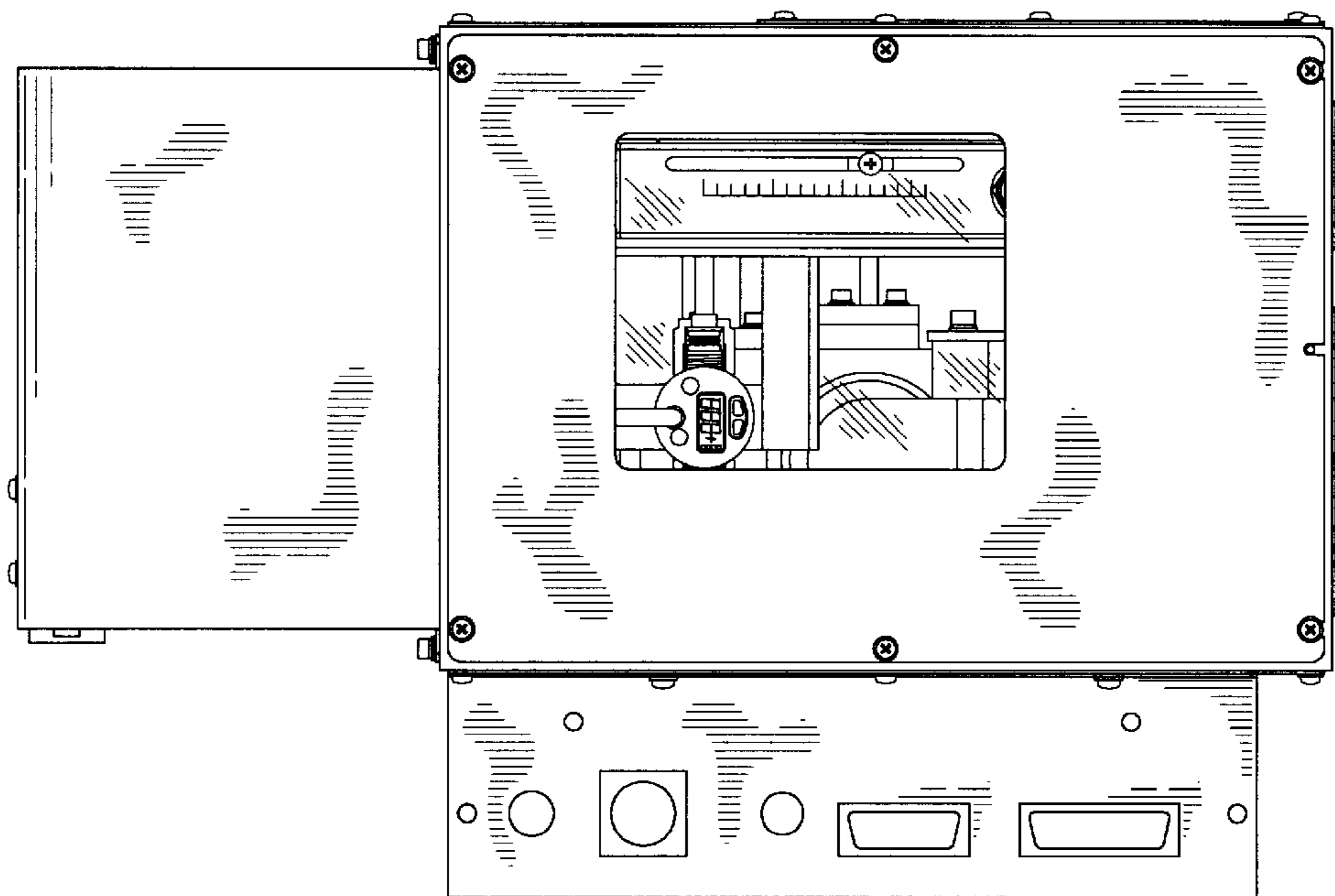


FIG-6

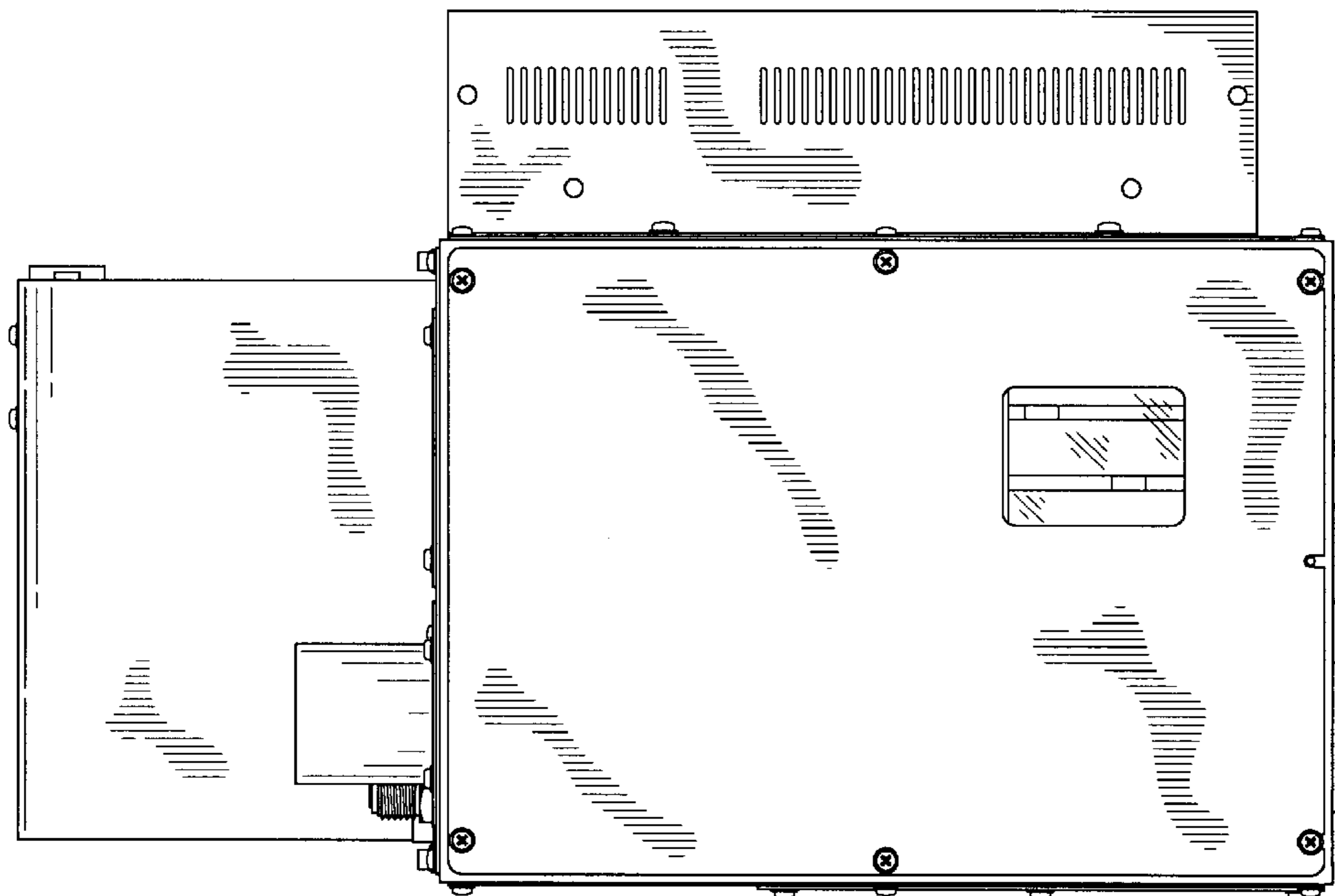


FIG-5

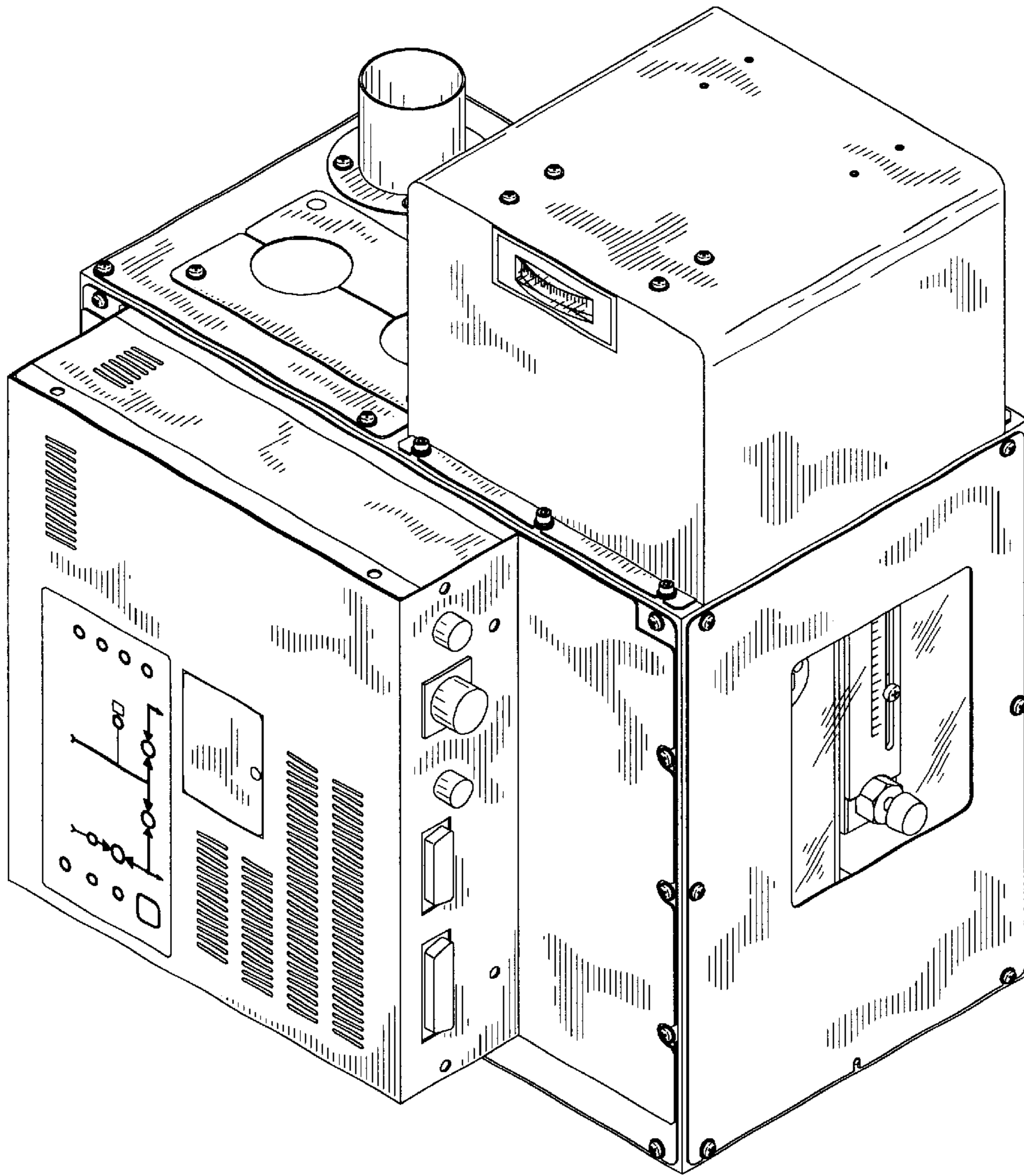


FIG-7

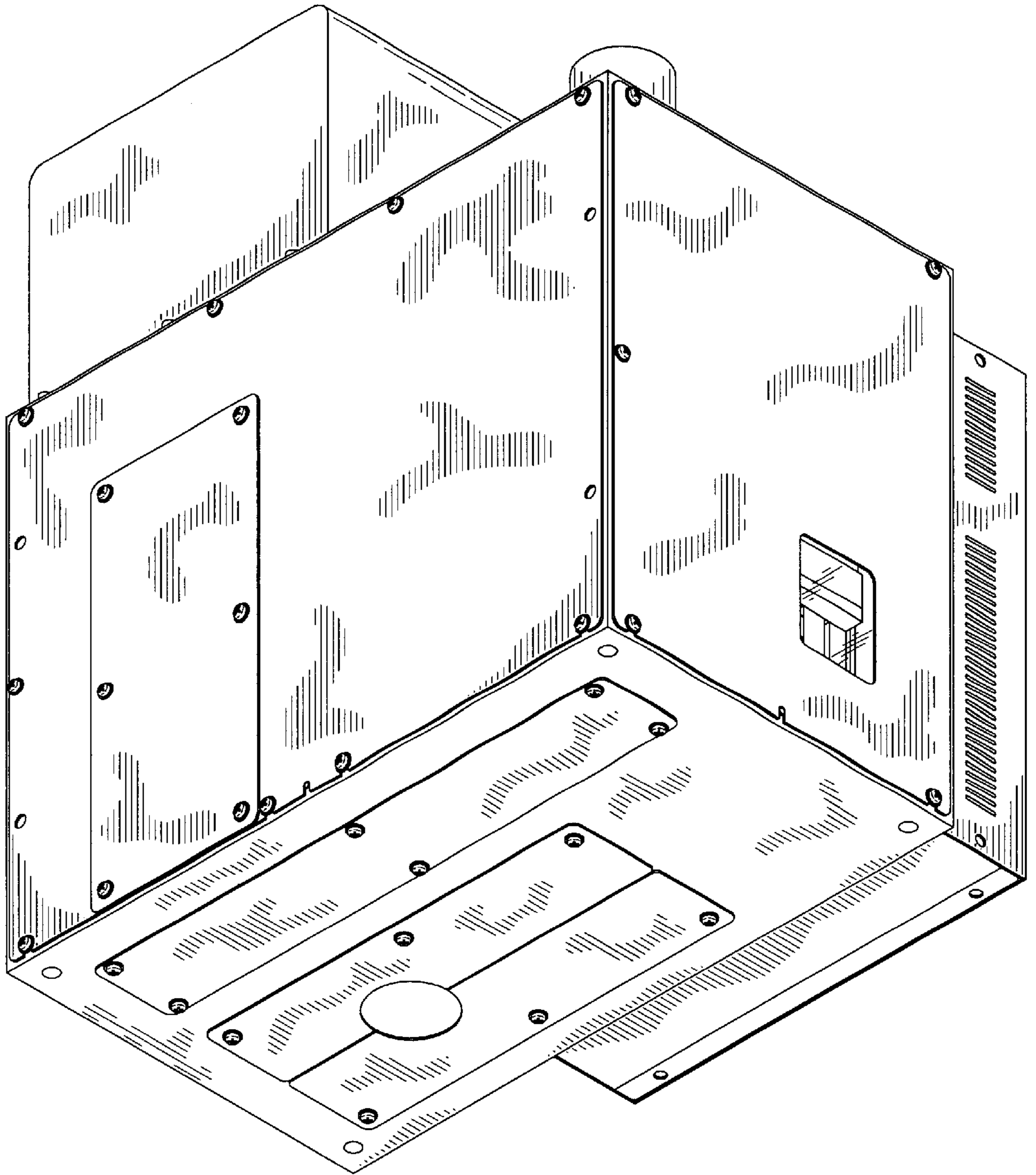


FIG-8

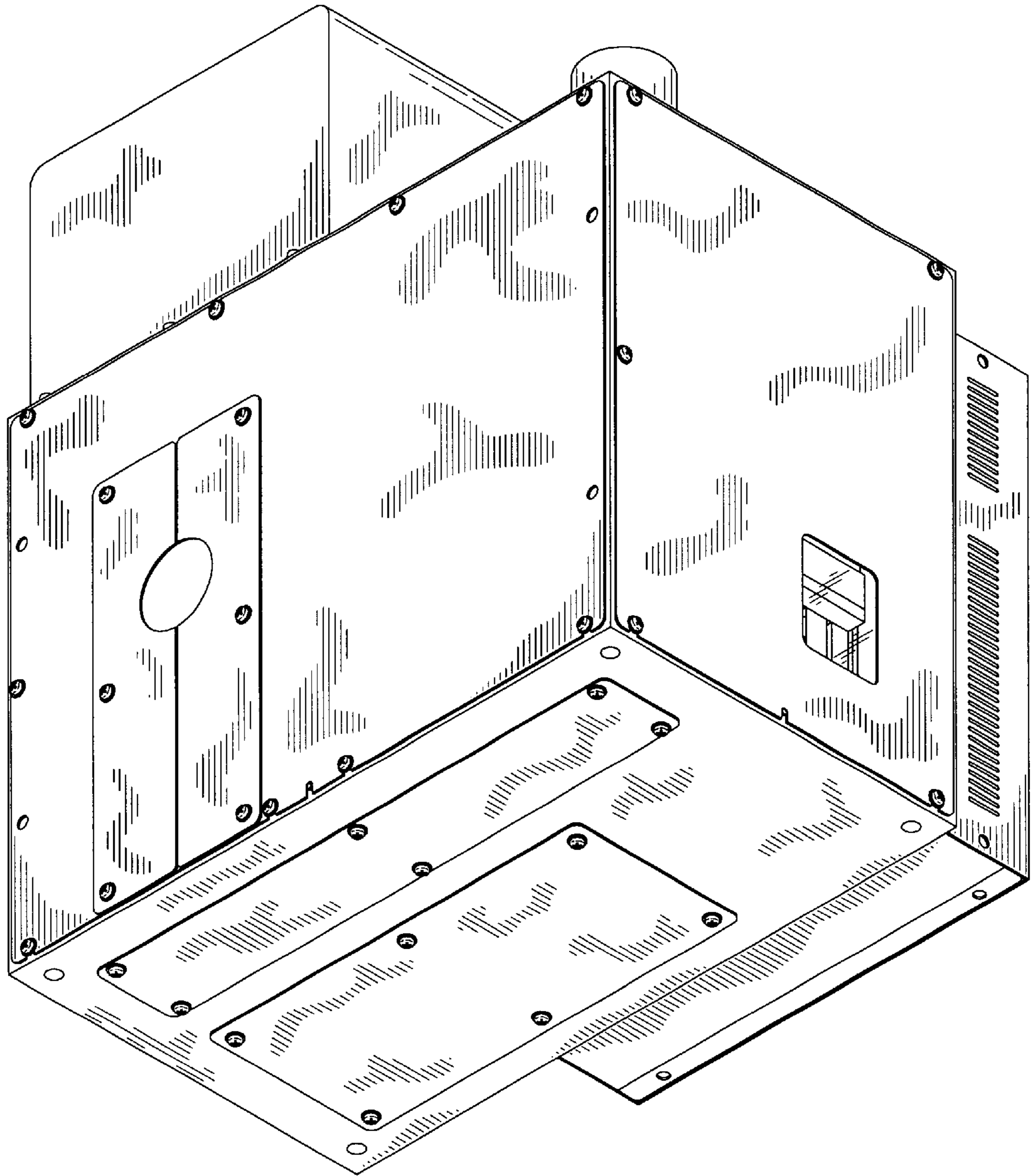


FIG-9

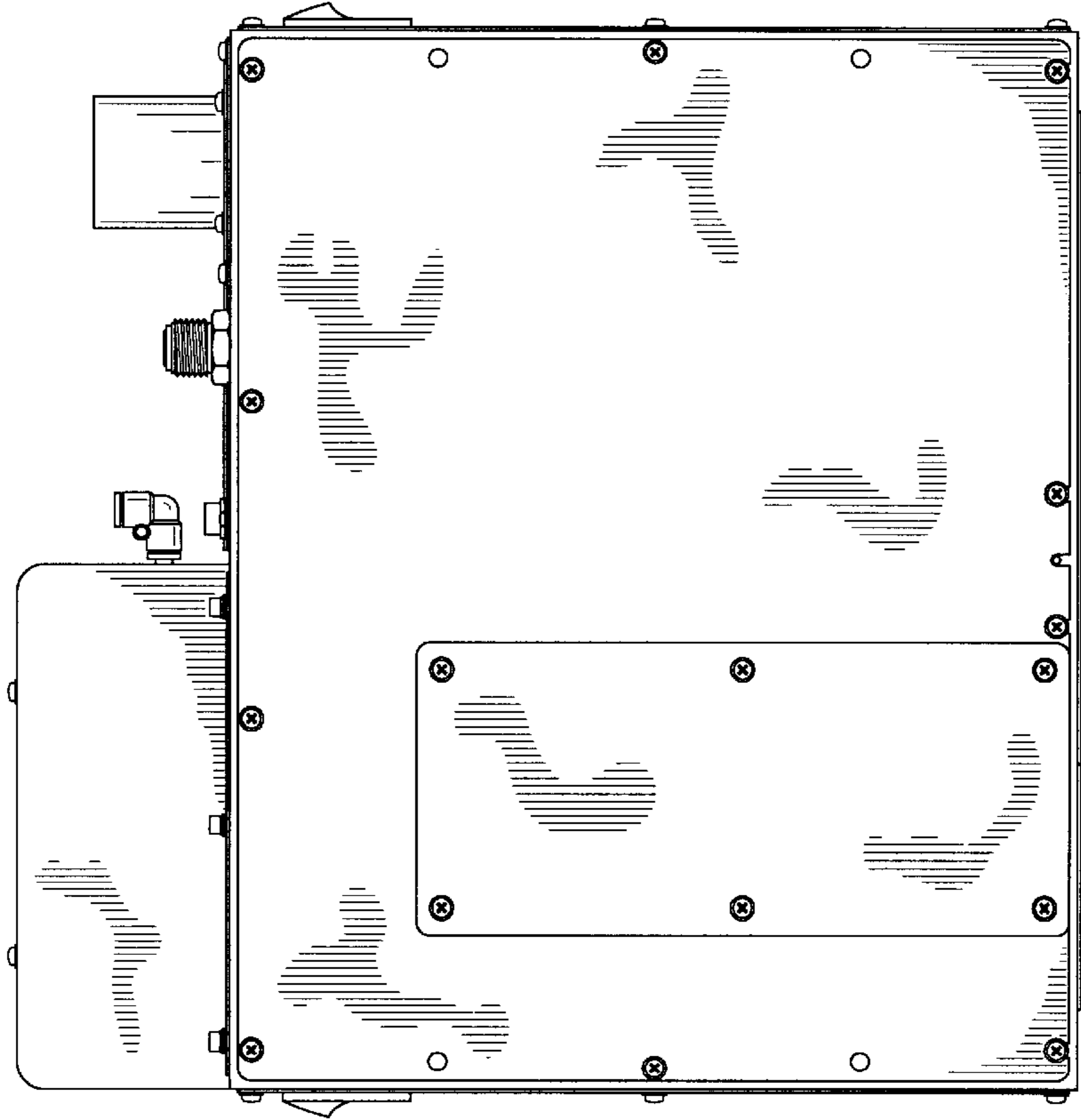


FIG-11

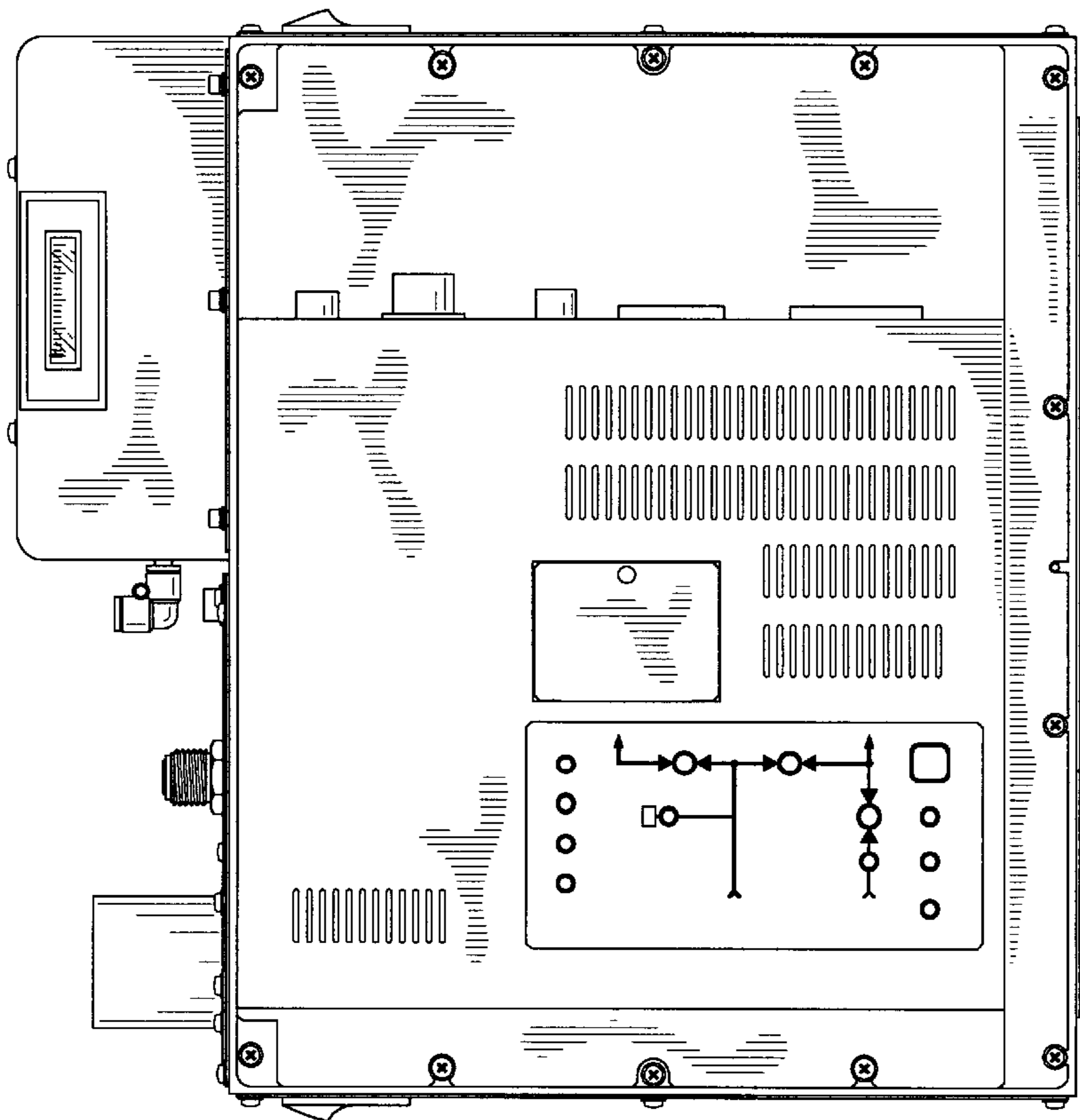


FIG-10

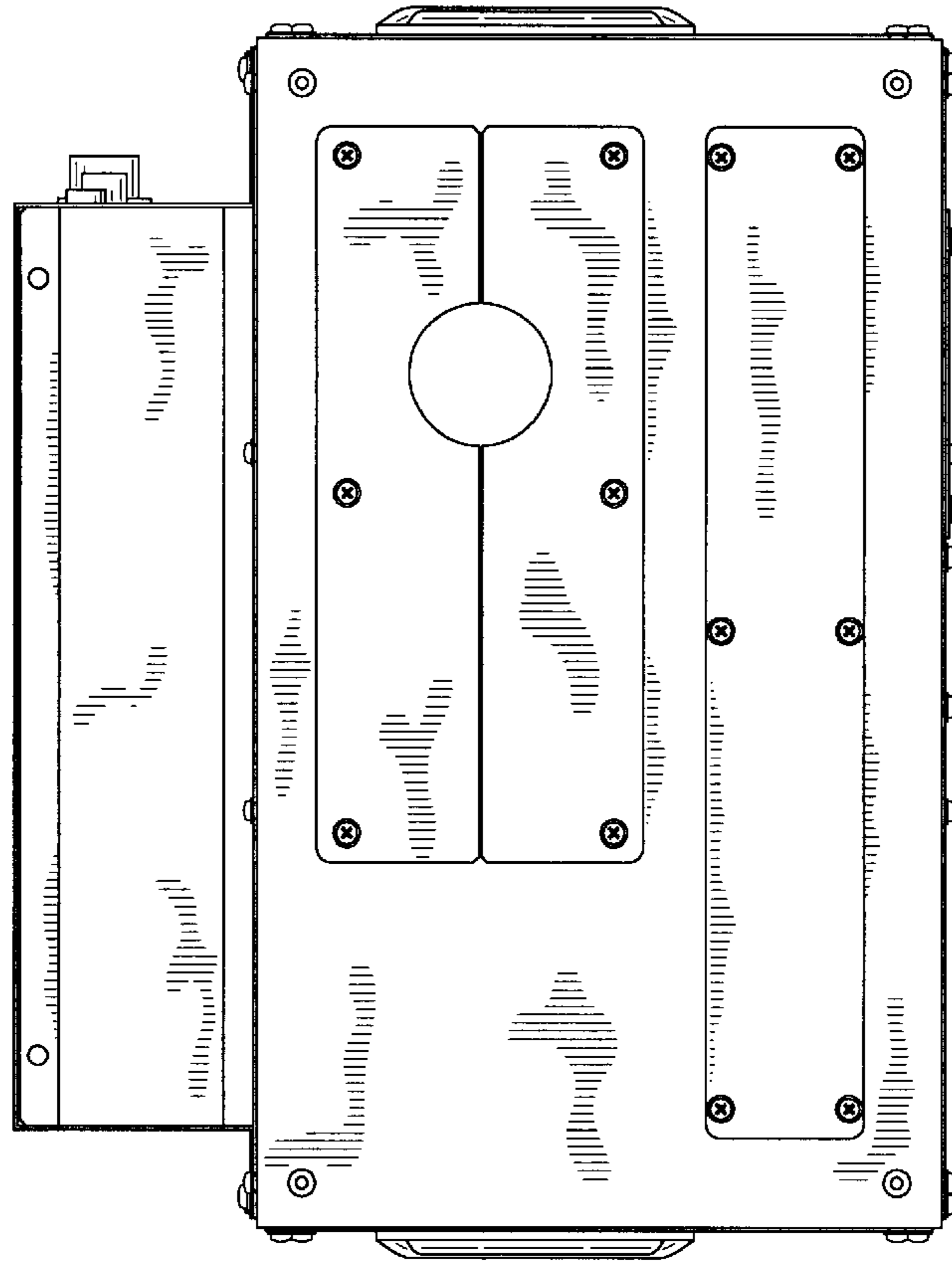


FIG-13

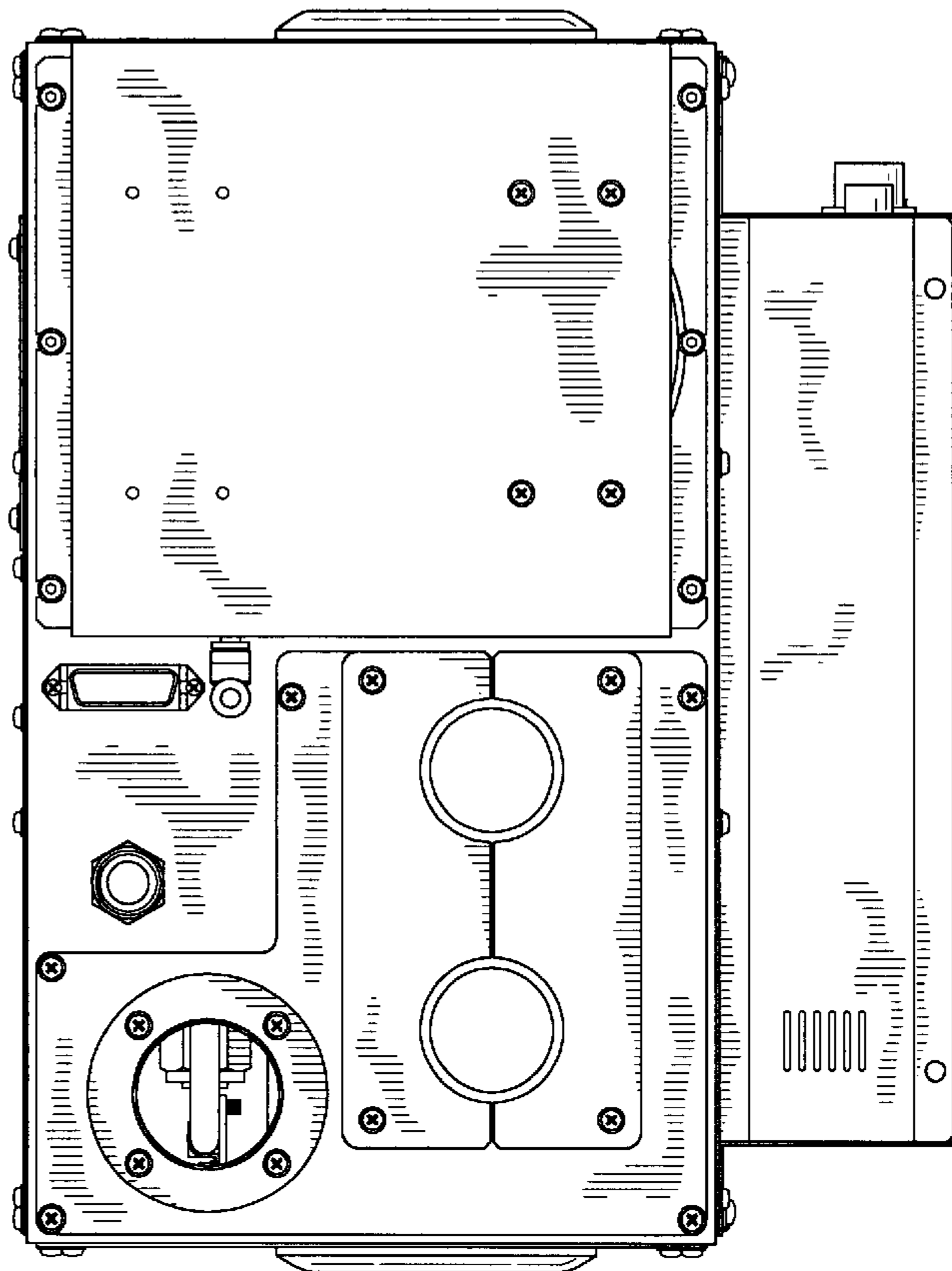


FIG-12

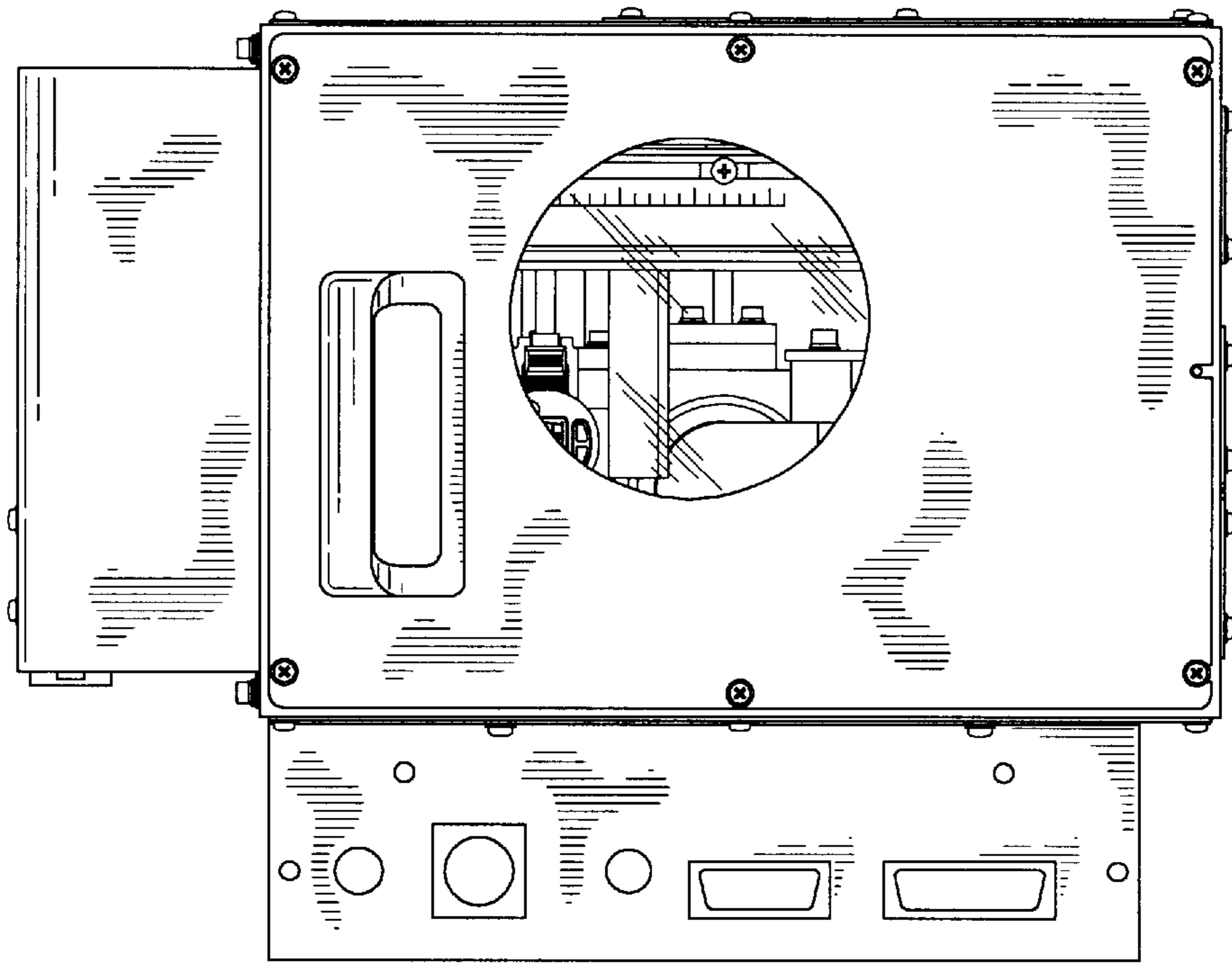


FIG-15

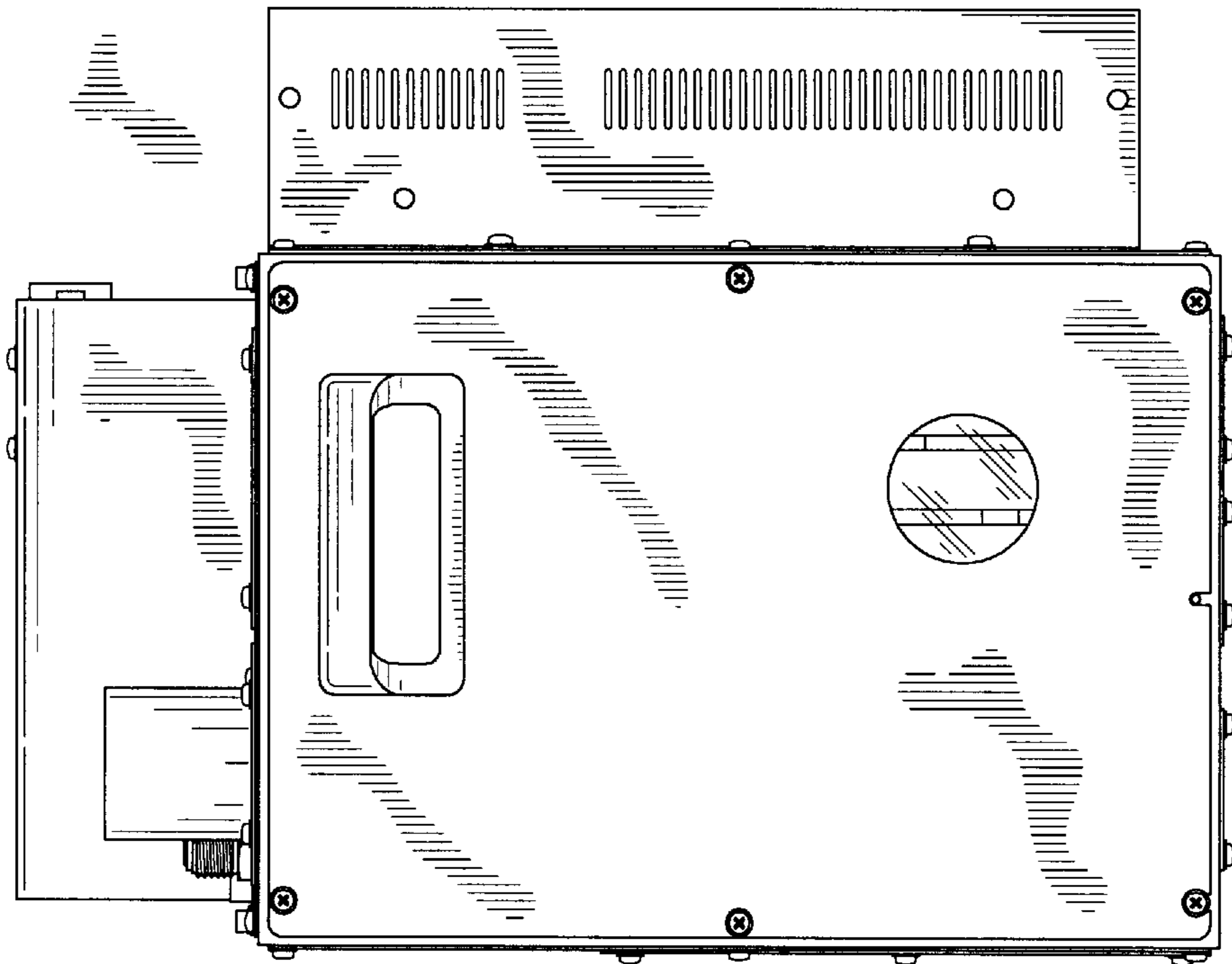


FIG-14

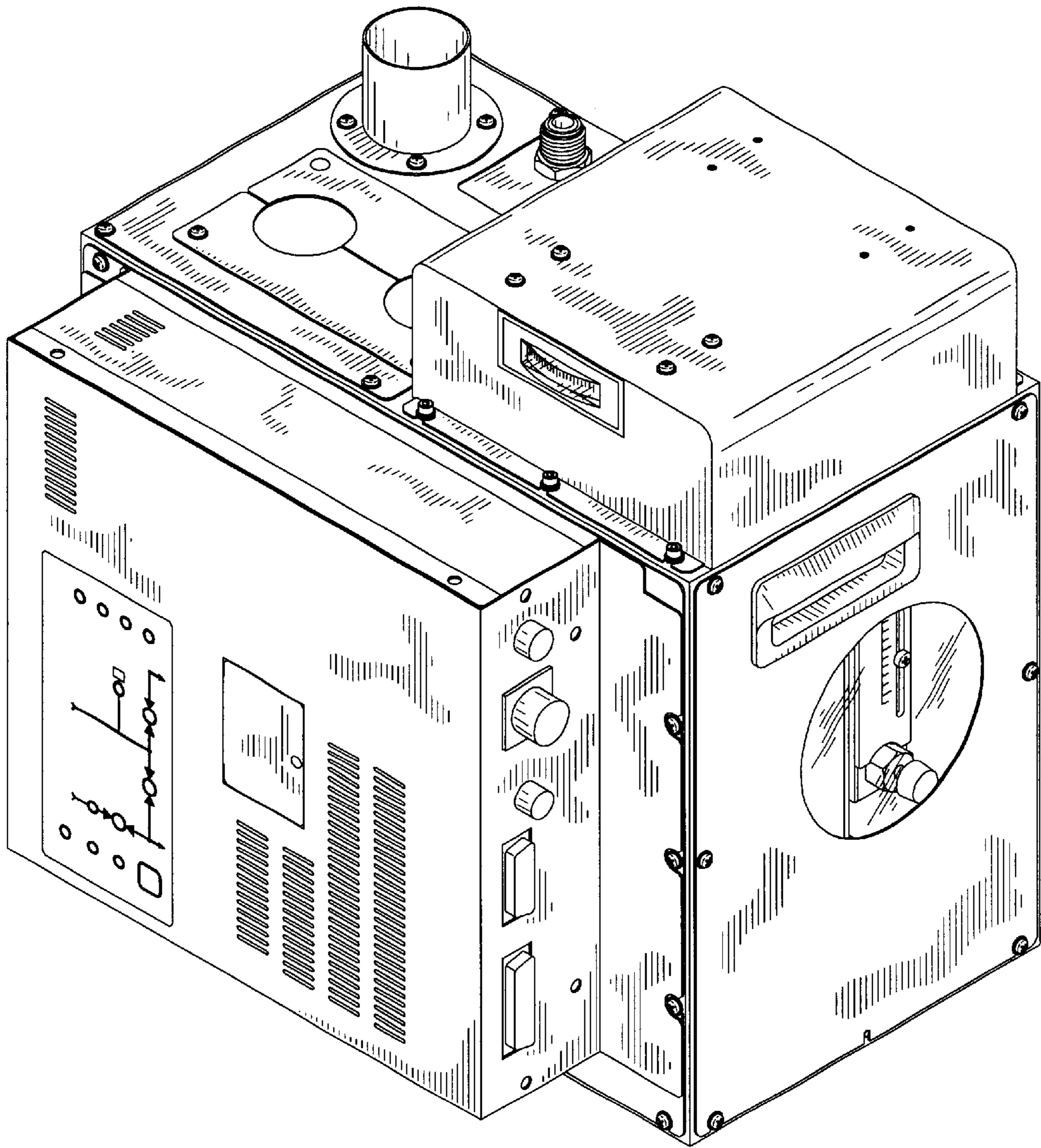


FIG-16

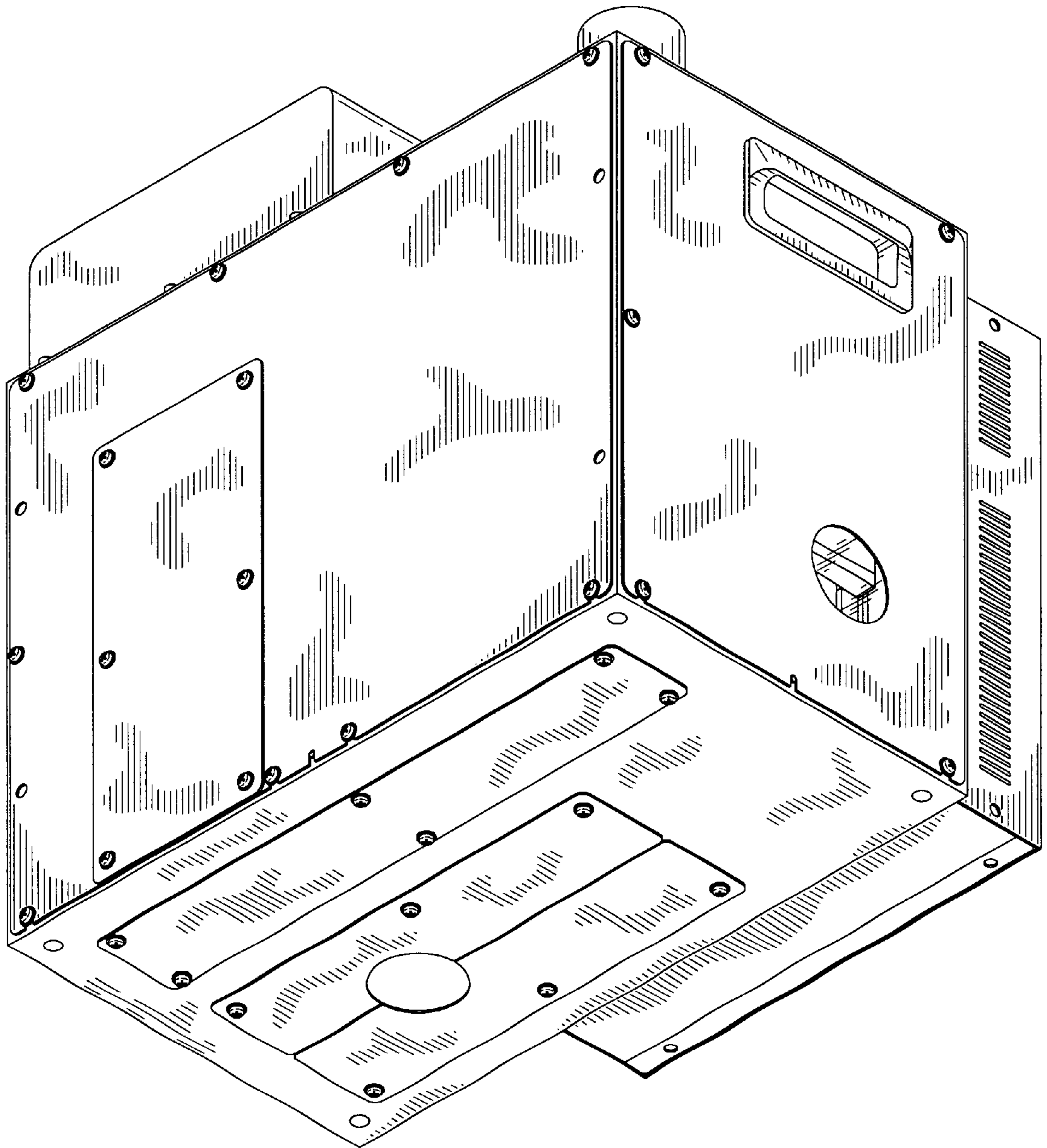


FIG-17

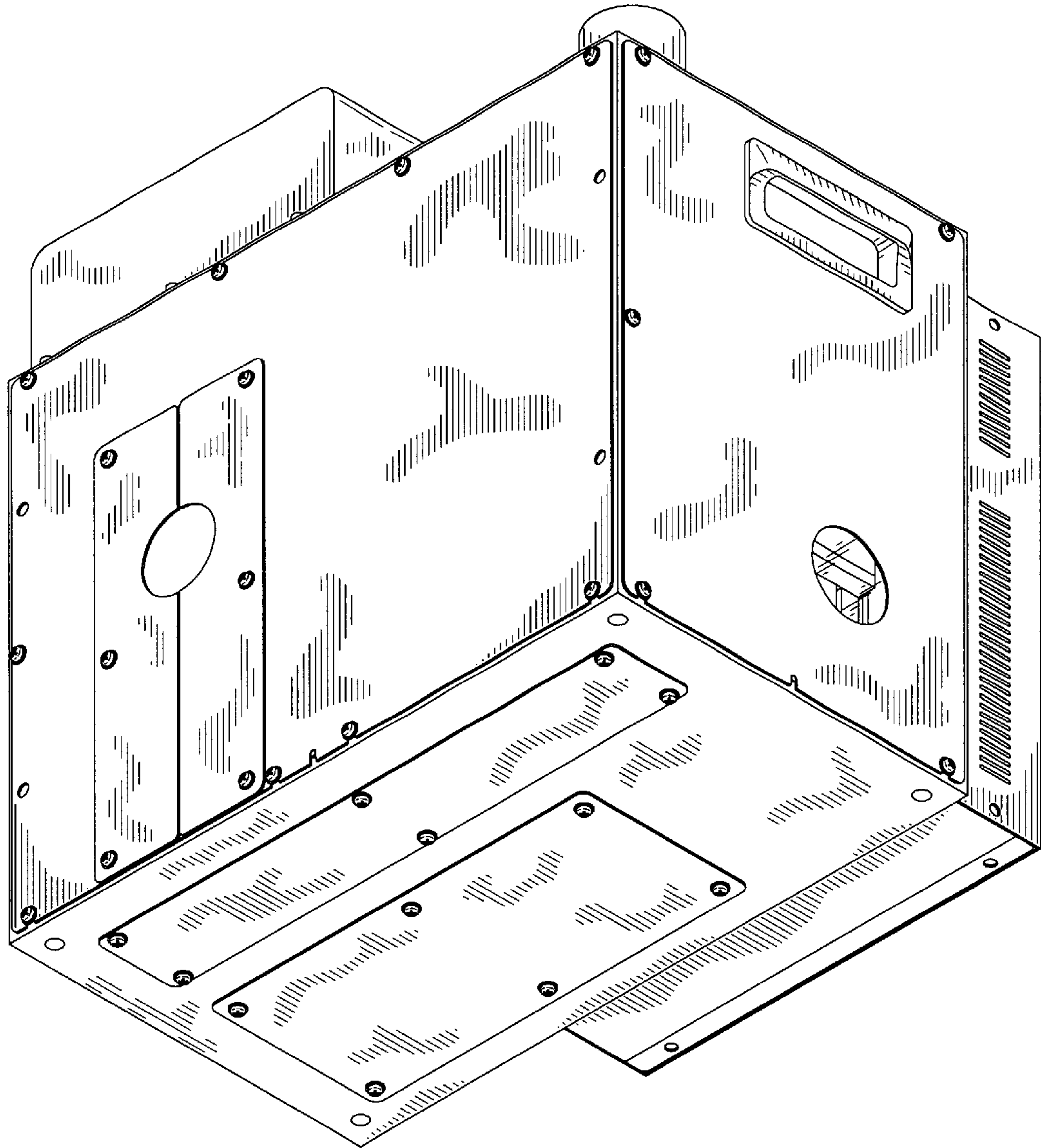


FIG-18