



US00D445884S

(12) **United States Design Patent**
Marshall et al.

(10) **Patent No.:** **US D445,884 S**

(45) **Date of Patent:** **** Jul. 31, 2001**

(54) **STAINLESS STEEL TOILET**

(75) Inventors: **Keith D. Marshall**, West Covina;
Darryl M. Boeltl, Whittier, both of CA
(US)

(73) Assignee: **Acorn Engineering Co.**, City of
Industry, CA (US)

(**) Term: **14 Years**

(21) Appl. No.: **29/137,339**

(22) Filed: **Feb. 16, 2001**

Related U.S. Application Data

(62) Division of application No. 29/121,265, filed on Apr. 4,
2000, now Pat. No. Des. 437,920.

(51) **LOC (7) Cl.** **23-02**

(52) **U.S. Cl.** **D23/295**

(58) **Field of Search** D23/295-302,
D23/309-313; 4/253, 300-301, 321, 328-339,
420-448, 234, 236, 242.1, 901-902, DIG. 8

(56) **References Cited**

U.S. PATENT DOCUMENTS

- D. 187,854 * 5/1960 Dreyfuss D23/300
- D. 211,728 * 7/1968 Armstrong D23/295
- D. 261,799 * 11/1981 Alger D23/301
- D. 269,634 * 7/1983 Inch et al. D23/301

- D. 311,243 * 10/1990 Vaupel et al. D23/301
- D. 354,341 * 1/1995 Kohler, Jr. et al. D23/300
- D. 383,832 * 9/1997 Kawamura et al. D23/295
- 3,882,552 * 5/1975 Turner 4/321 X
- 3,922,729 * 12/1975 Ashley 4/331

* cited by examiner

Primary Examiner—Louis S. Zarfes

Assistant Examiner—Robert A. Delehanty

(74) *Attorney, Agent, or Firm*—Edgar W. Averill, Jr.

(57) **CLAIM**

The ornamental design for a stainless steel toilet, as shown
and described.

DESCRIPTION

FIG. 1 is a perspective view showing the top right side and
front of a stainless steel toilet including a tank showing our
new design;

FIG. 2 is a top view thereof;

FIG. 3 is a front view thereof;

FIG. 4 is a right side view thereof of which a mirror image
would be a left side view thereof;

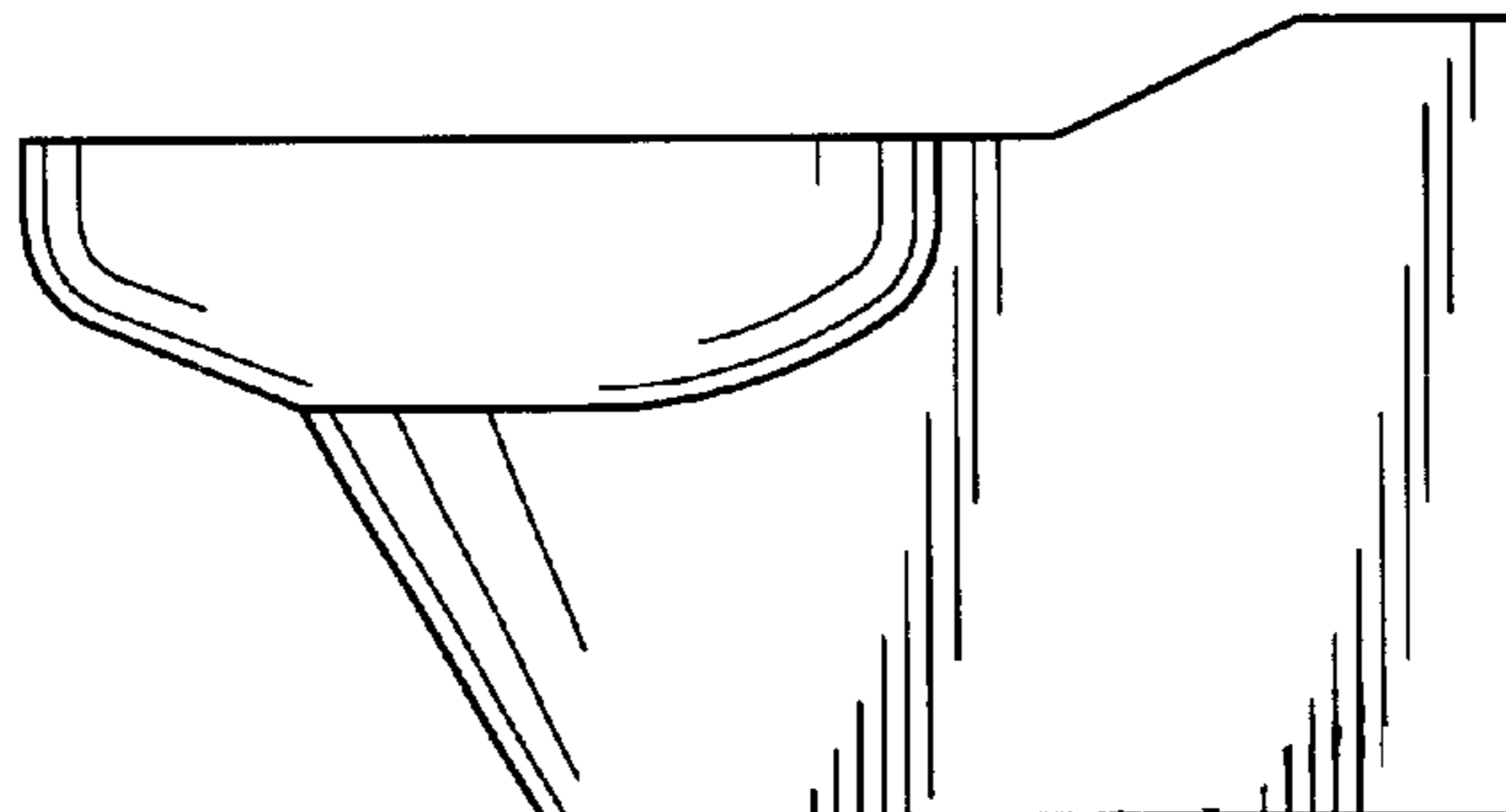
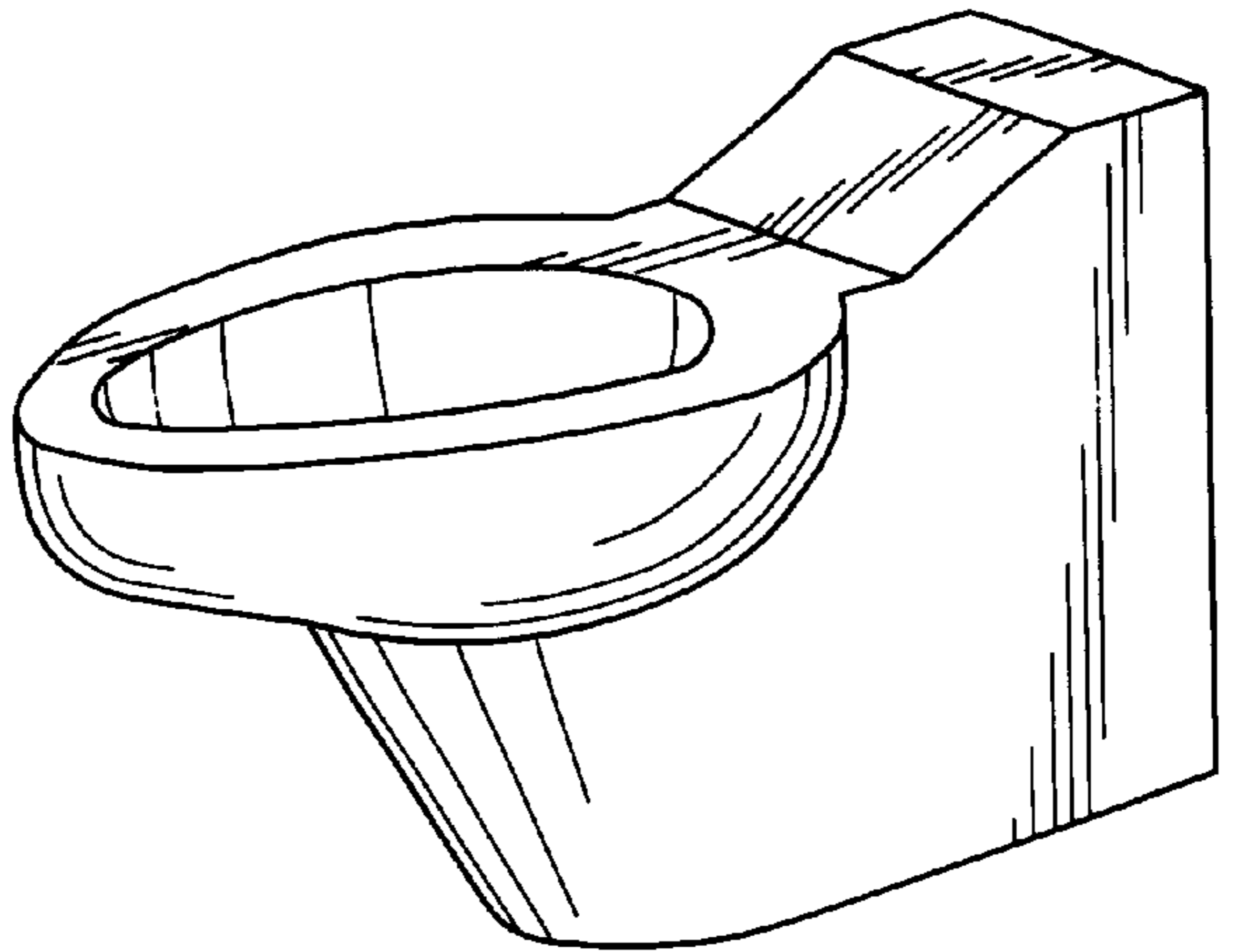
FIG. 5 is a perspective view of an alternate embodiment of
a stainless steel toilet showing our new design;

FIG. 6 is a top view of the toilet of FIG. 5;

FIG. 7 is a front view of the toilet of FIG. 5; and,

FIG. 8 is a right side view of the toilet of FIG. 5 of which
a mirror image would be a left side view thereof.

1 Claim, 2 Drawing Sheets



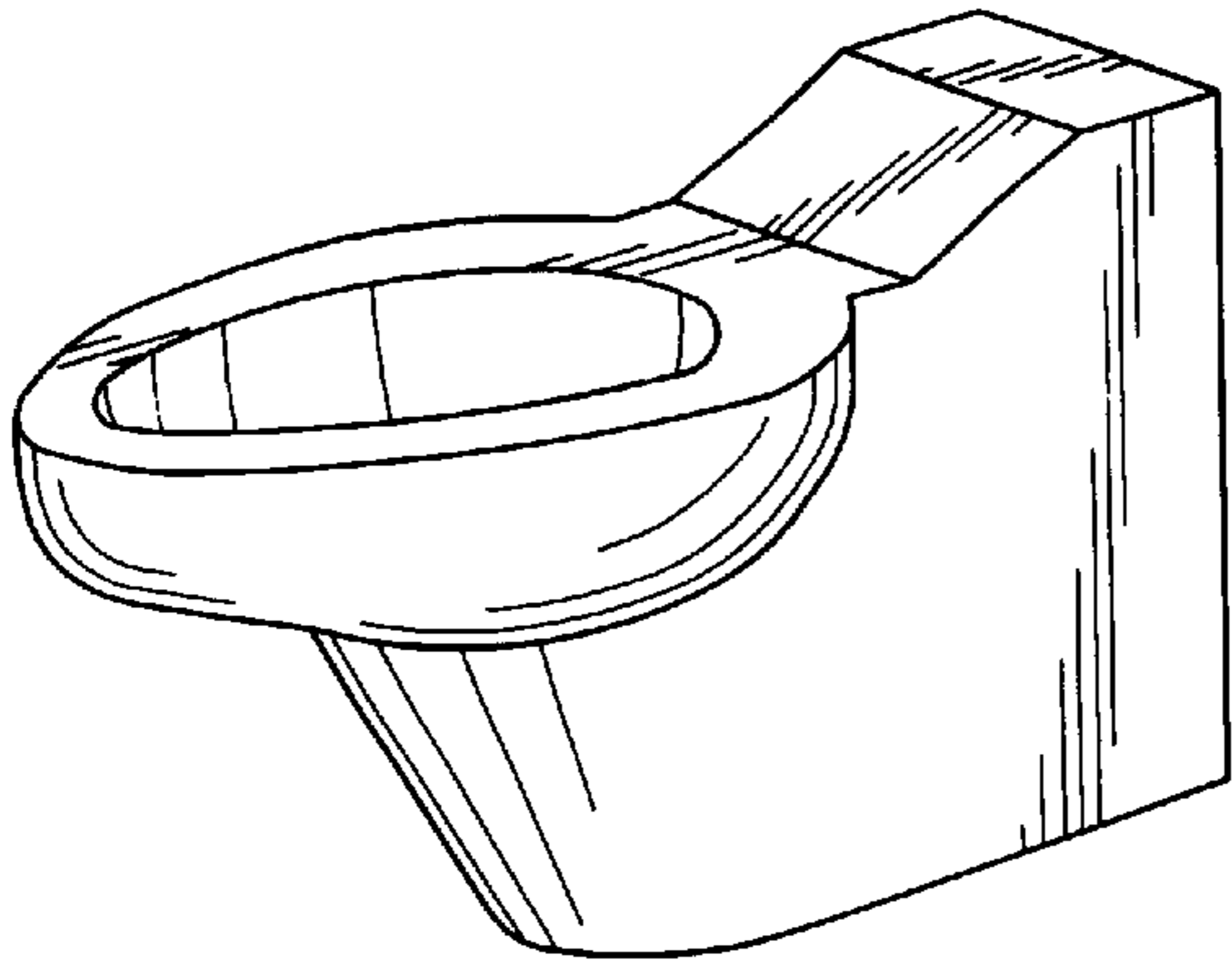


FIG. 1

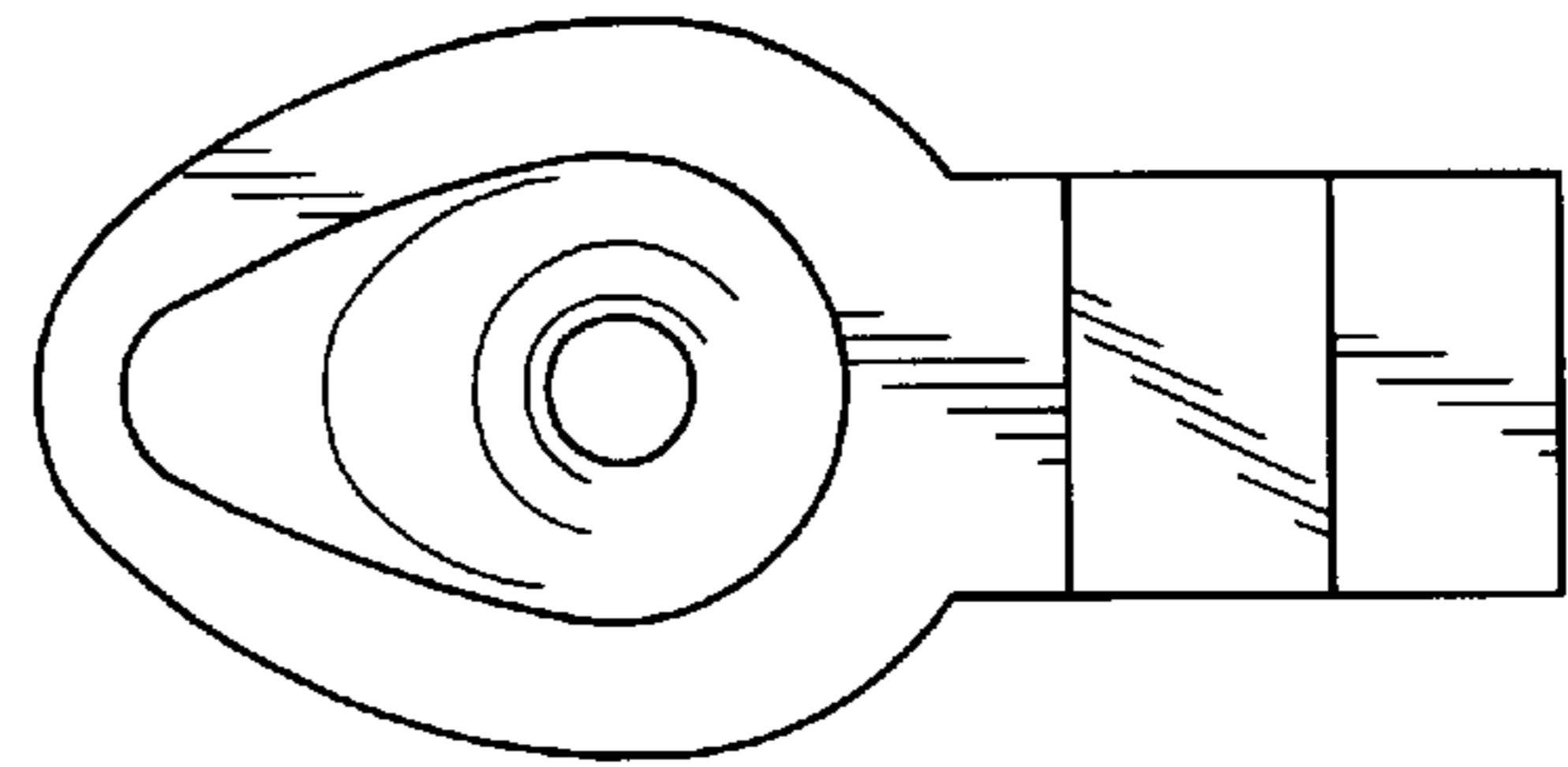


FIG. 2

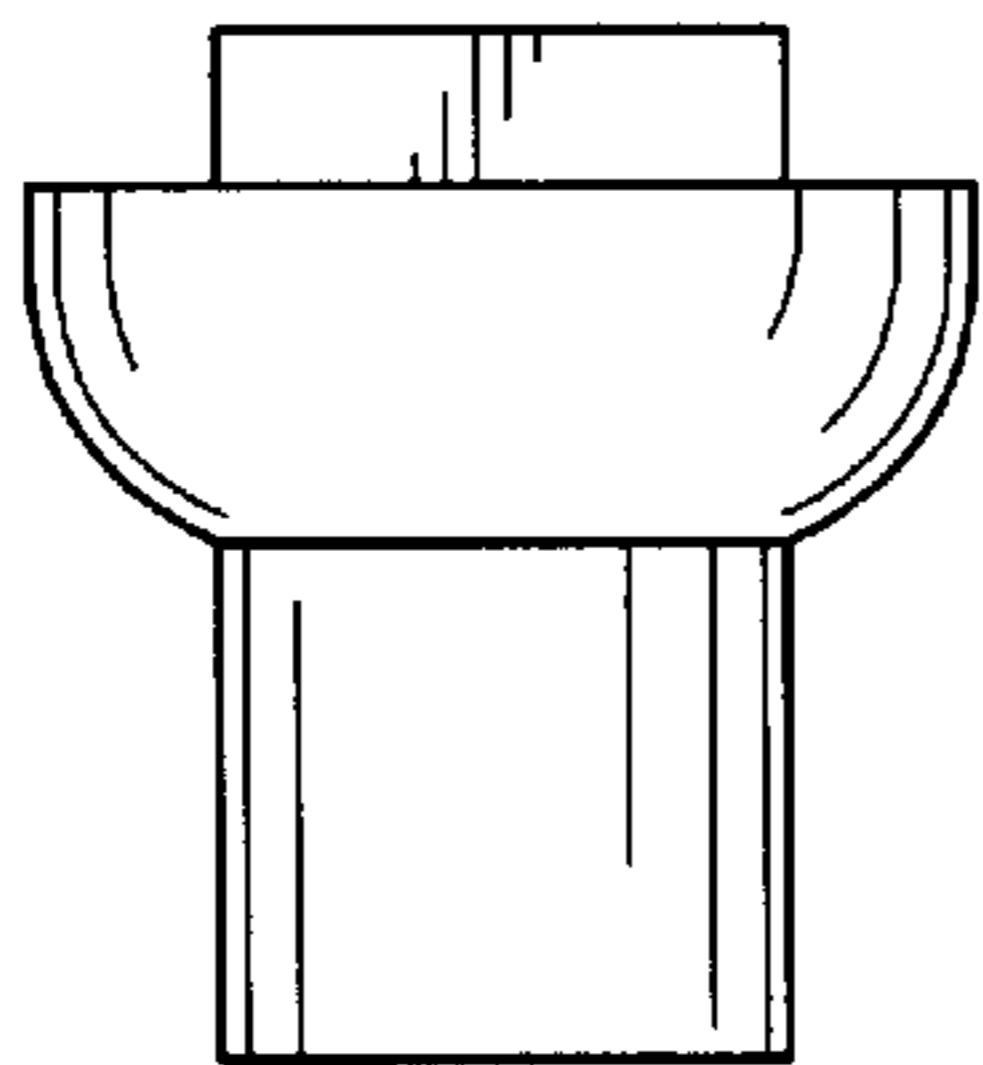


FIG. 3

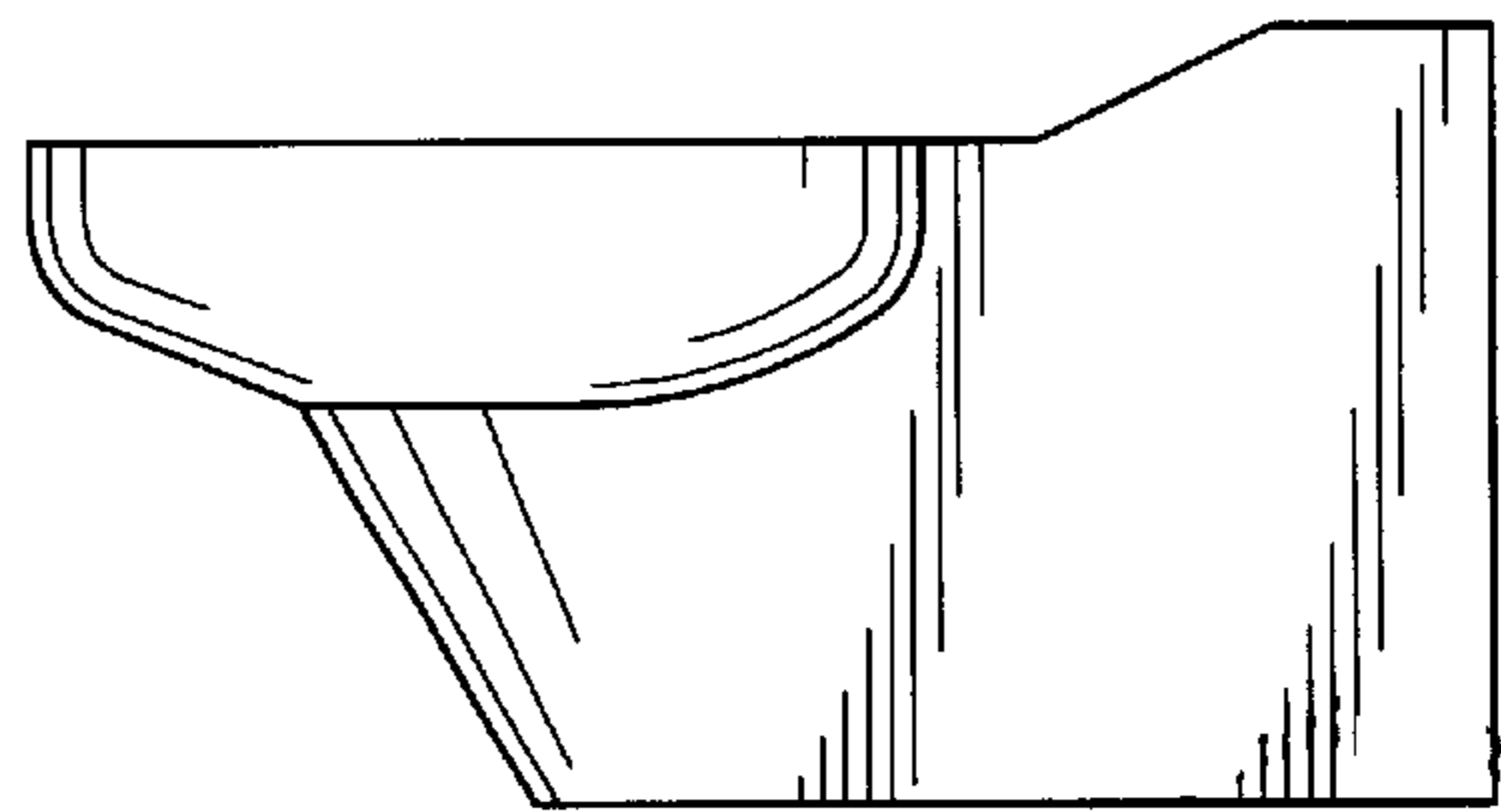


FIG. 4

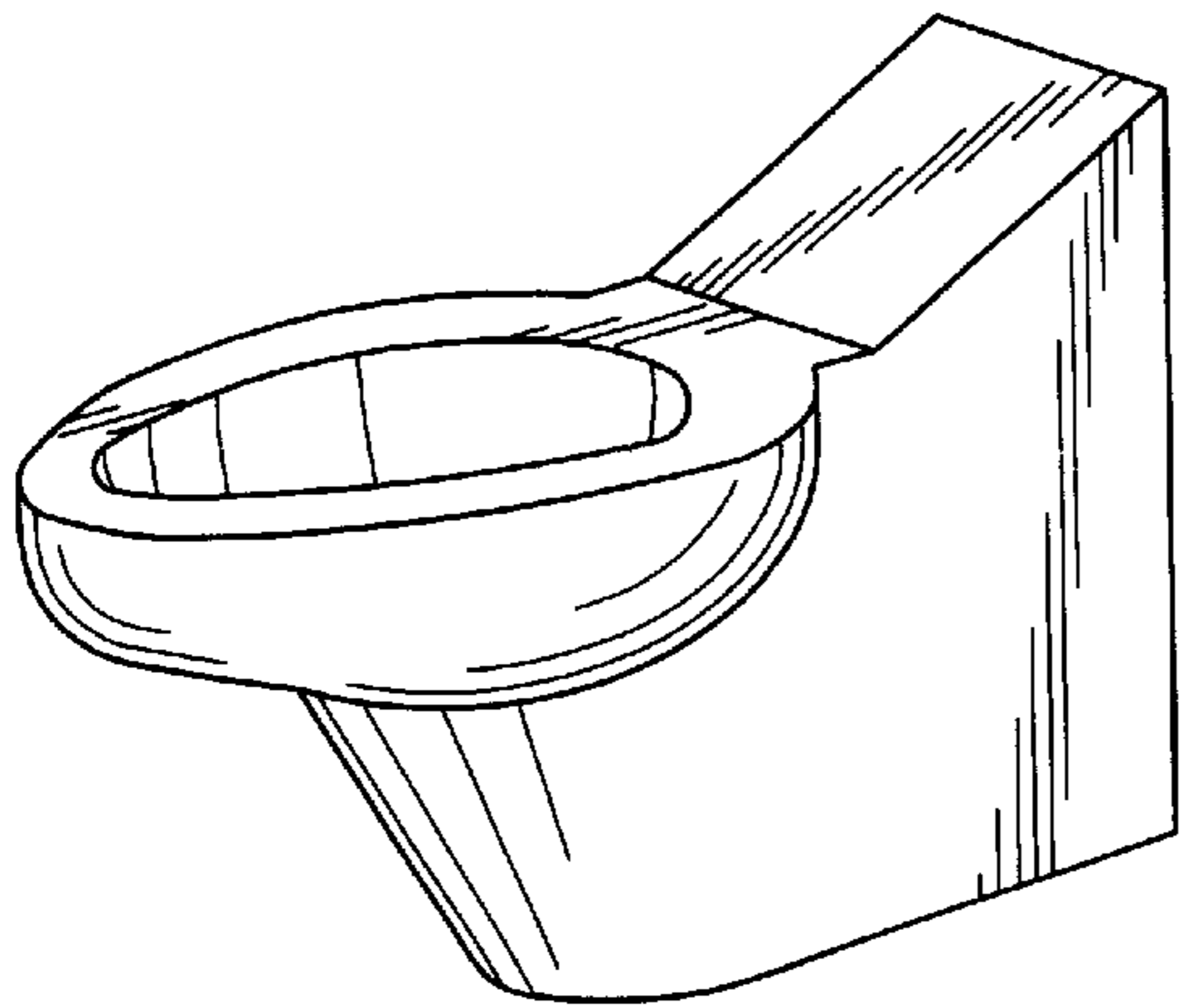


FIG. 5

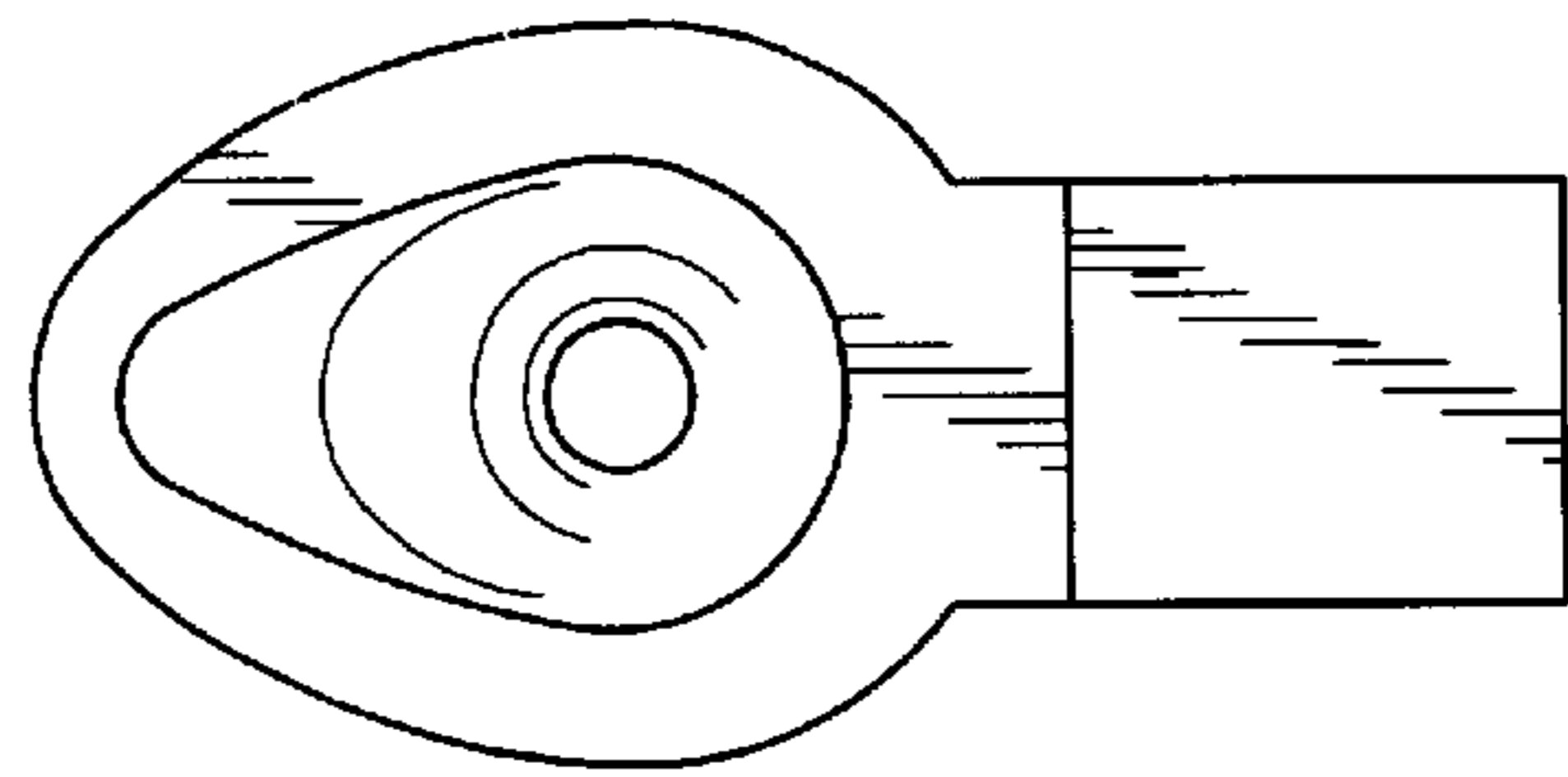


FIG. 6

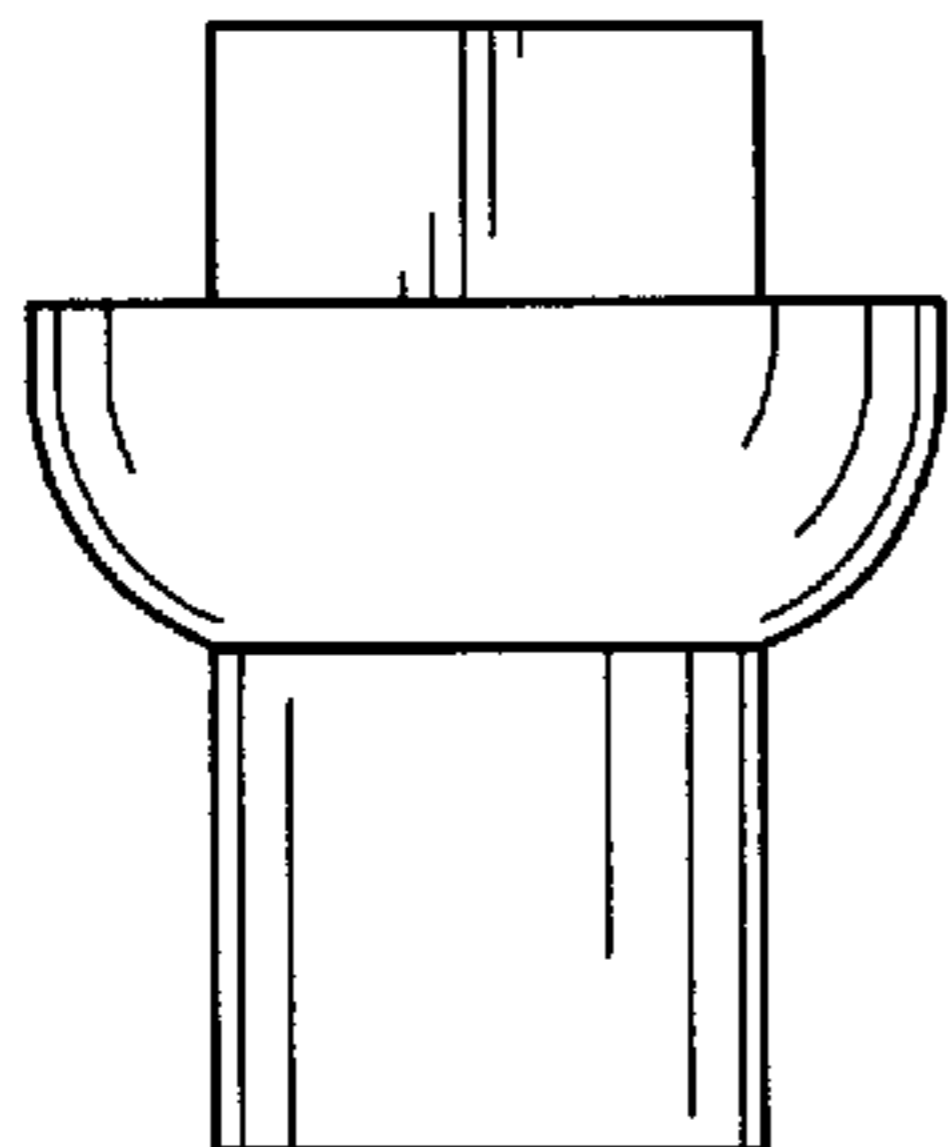


FIG. 7

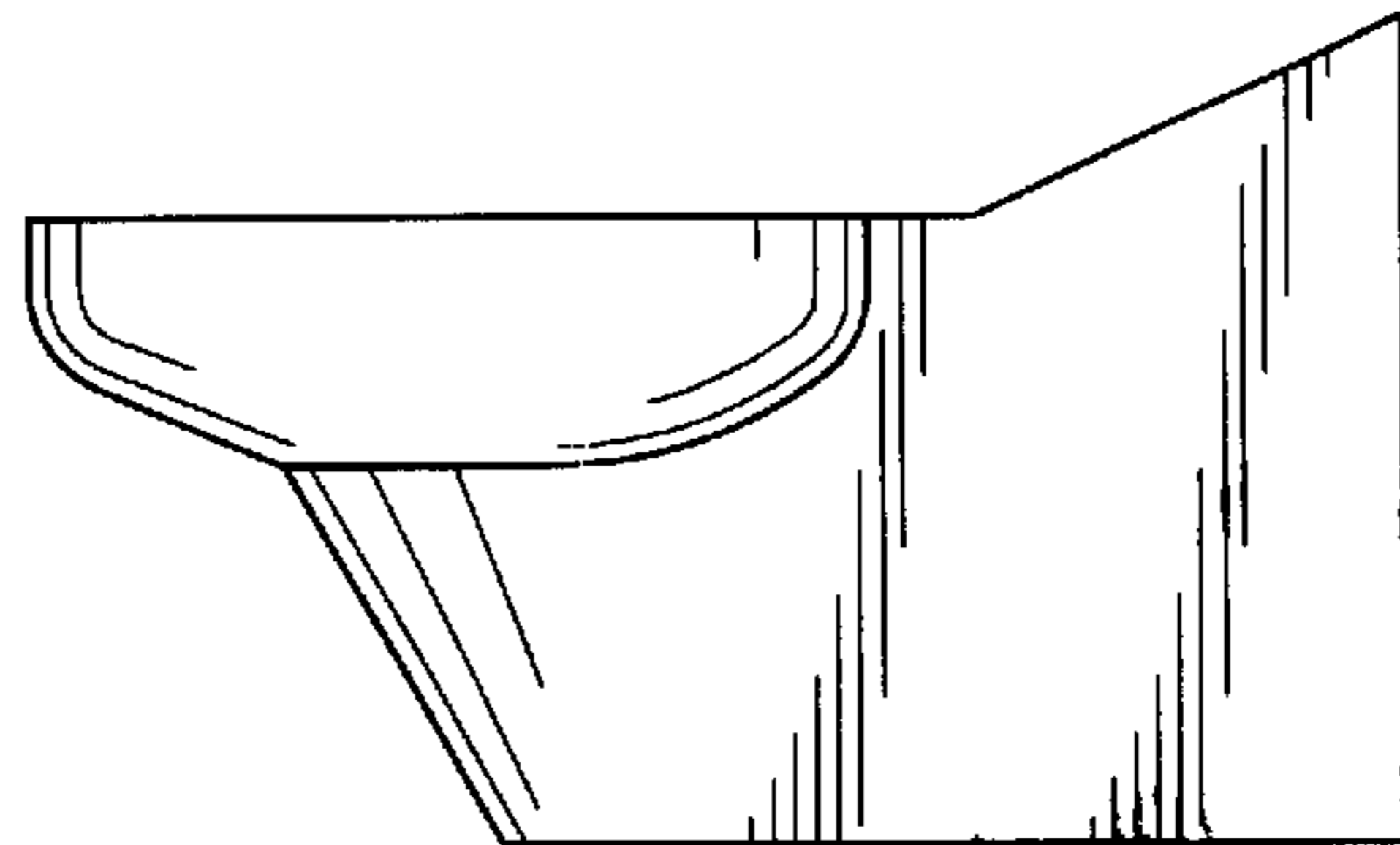


FIG. 8