



US00D445881S

(12) **United States Design Patent**
Spangler

(10) **Patent No.:** **US D445,881 S**

(45) **Date of Patent:** **** Jul. 31, 2001**

(54) **LAVATORY FAUCET BODY**

(75) Inventor: **Anthony Spangler**, Greensburg, IN (US)

(73) Assignee: **Masco Corporation of Indiana**, Indianapolis, IN (US)

(**) Term: **14 Years**

(21) Appl. No.: **29/132,426**

(22) Filed: **Nov. 8, 2000**

(51) **LOC (7) Cl.** **23-01**

(52) **U.S. Cl.** **D23/249**

(58) **Field of Search** D23/238-243,
D23/245, 249-257; D8/300-310, 350-354;
4/675-678; 16/110 R-121; 137/801

(56) **References Cited**

U.S. PATENT DOCUMENTS

- D. 387,417 * 12/1997 Doughty et al. D23/243
- D. 394,492 * 5/1998 Nguyen et al. D23/255
- D. 418,583 * 1/2000 Hyde et al. D23/255

- D. 432,215 * 10/2000 Spangler D23/249
- D. 432,217 * 10/2000 Spangler D23/255

* cited by examiner

Primary Examiner—Louis S. Zarfes

Assistant Examiner—Gregory Andoll

(74) *Attorney, Agent, or Firm*—Kwadjo Adusei-Poku; Lloyd D. Doigan

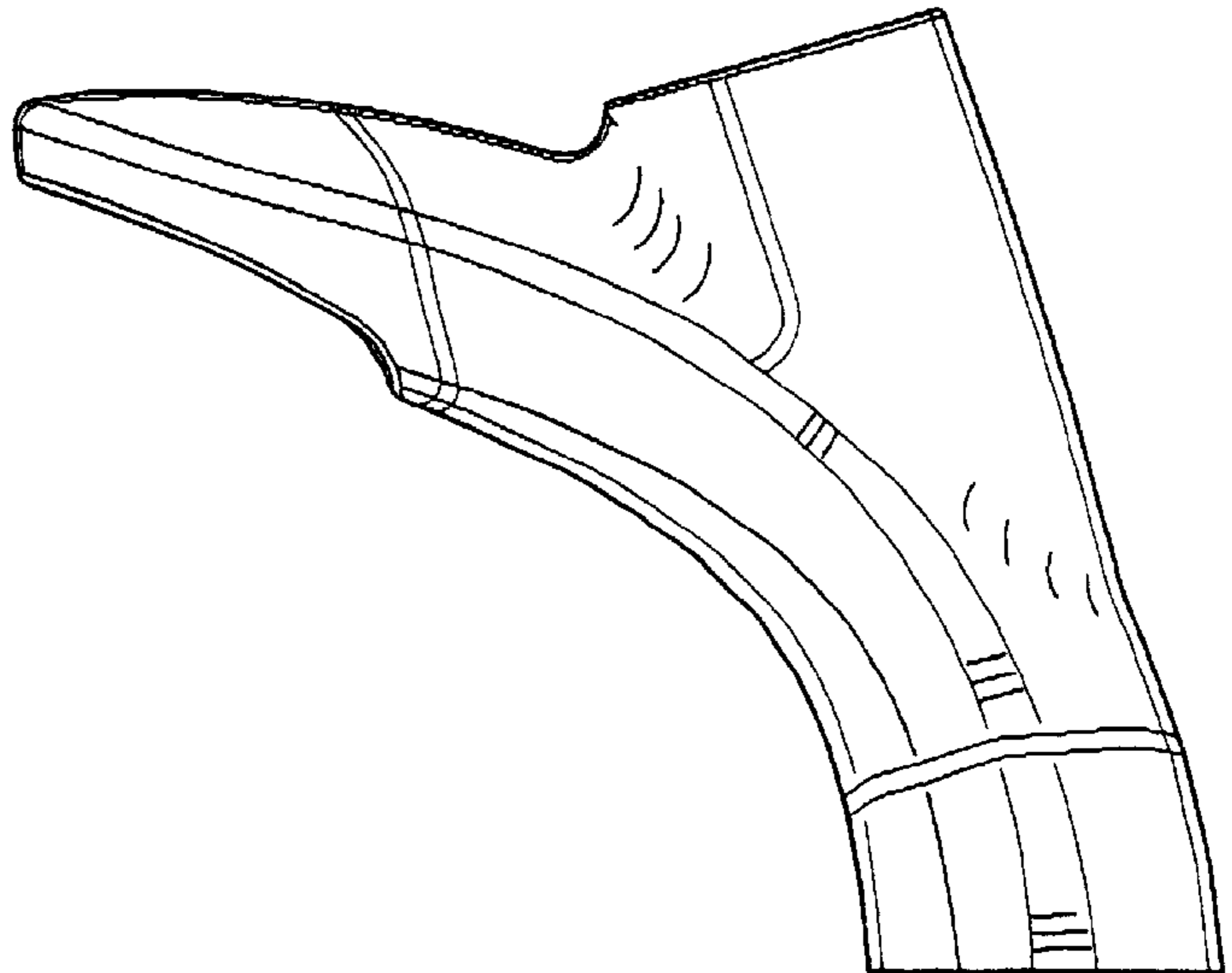
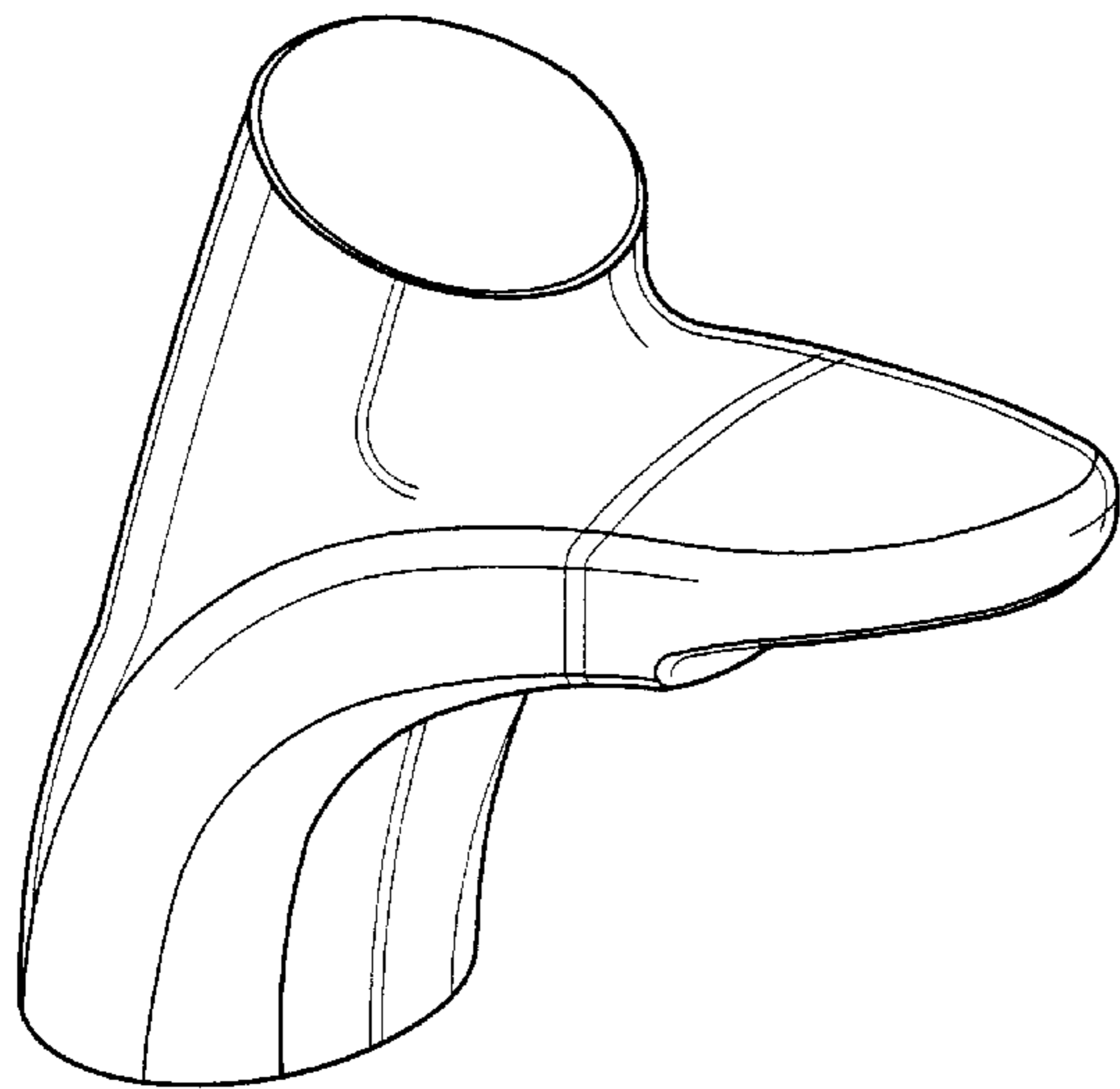
(57) **CLAIM**

The ornamental design for a lavatory faucet body, as shown and described.

DESCRIPTION

FIG. 1 is a front perspective view of a lavatory faucet body showing my new design;
 FIG. 2 is a rear perspective view thereof;
 FIG. 3 is a front elevational view thereof;
 FIG. 4 is a rear elevational view thereof;
 FIG. 5 is a top plan view thereof;
 FIG. 6 is a bottom view thereof; and,
 FIG. 7 is a side elevational view, the other side being a mirror image of the side shown.

1 Claim, 2 Drawing Sheets



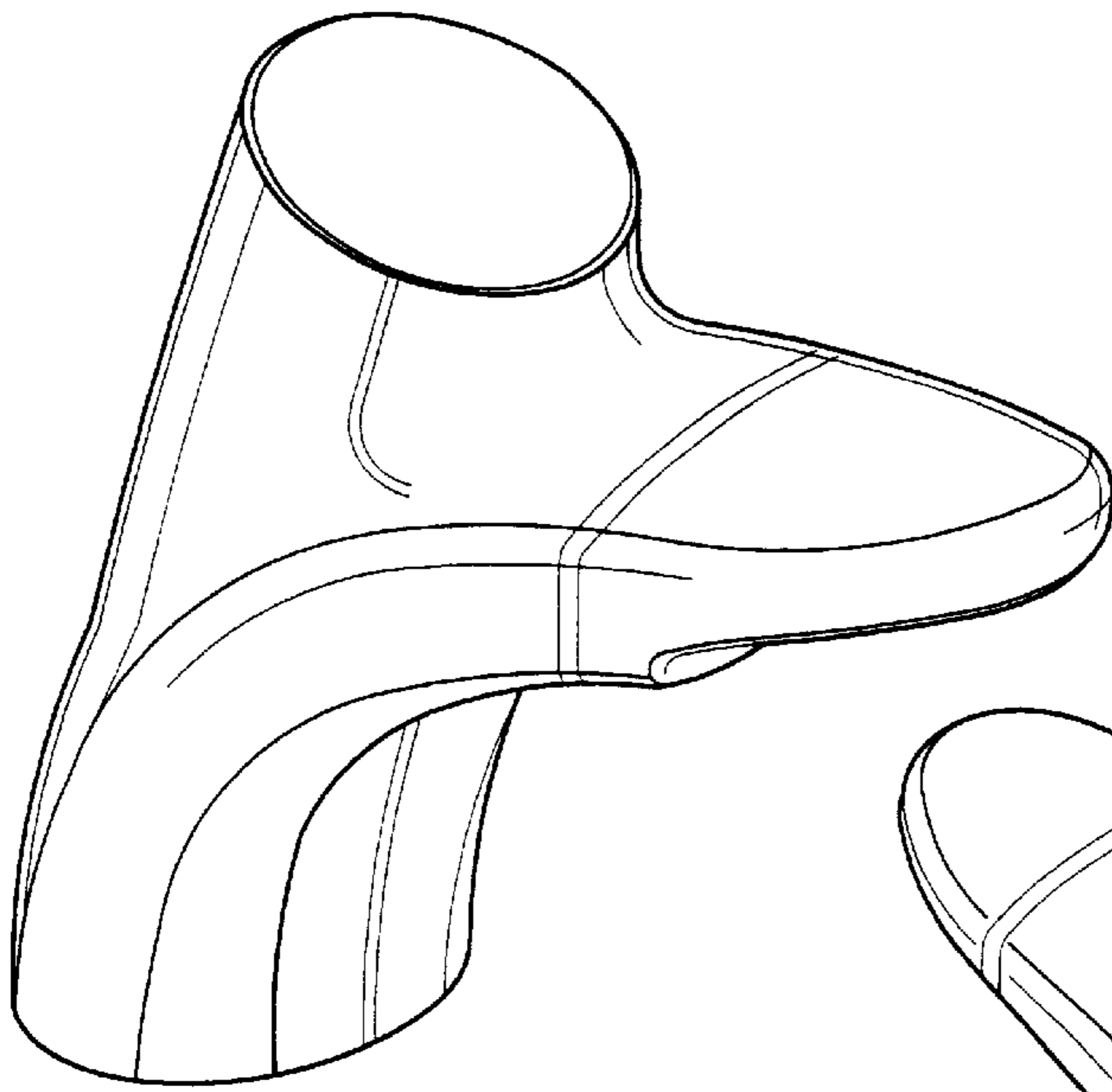


Fig-1

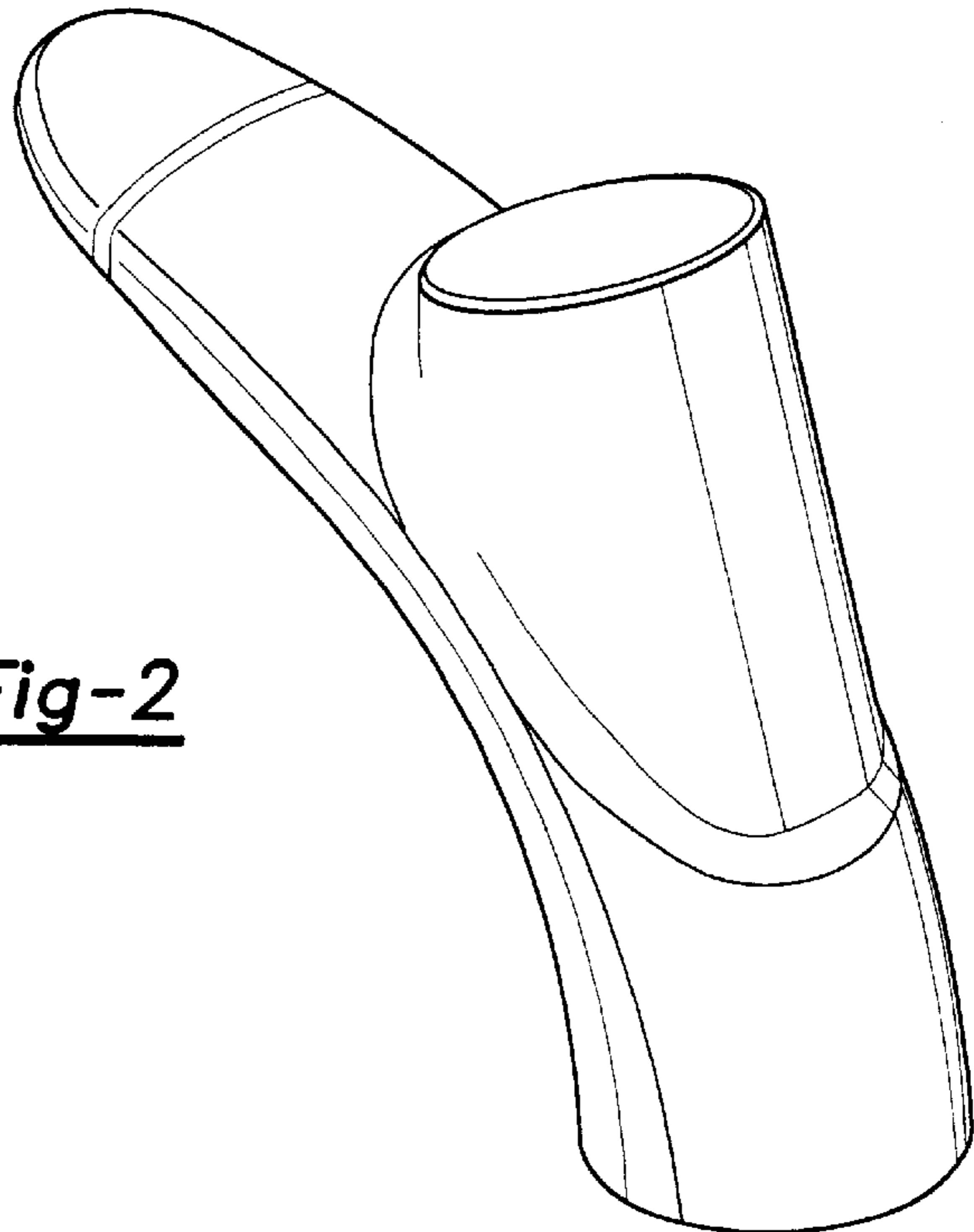


Fig-2

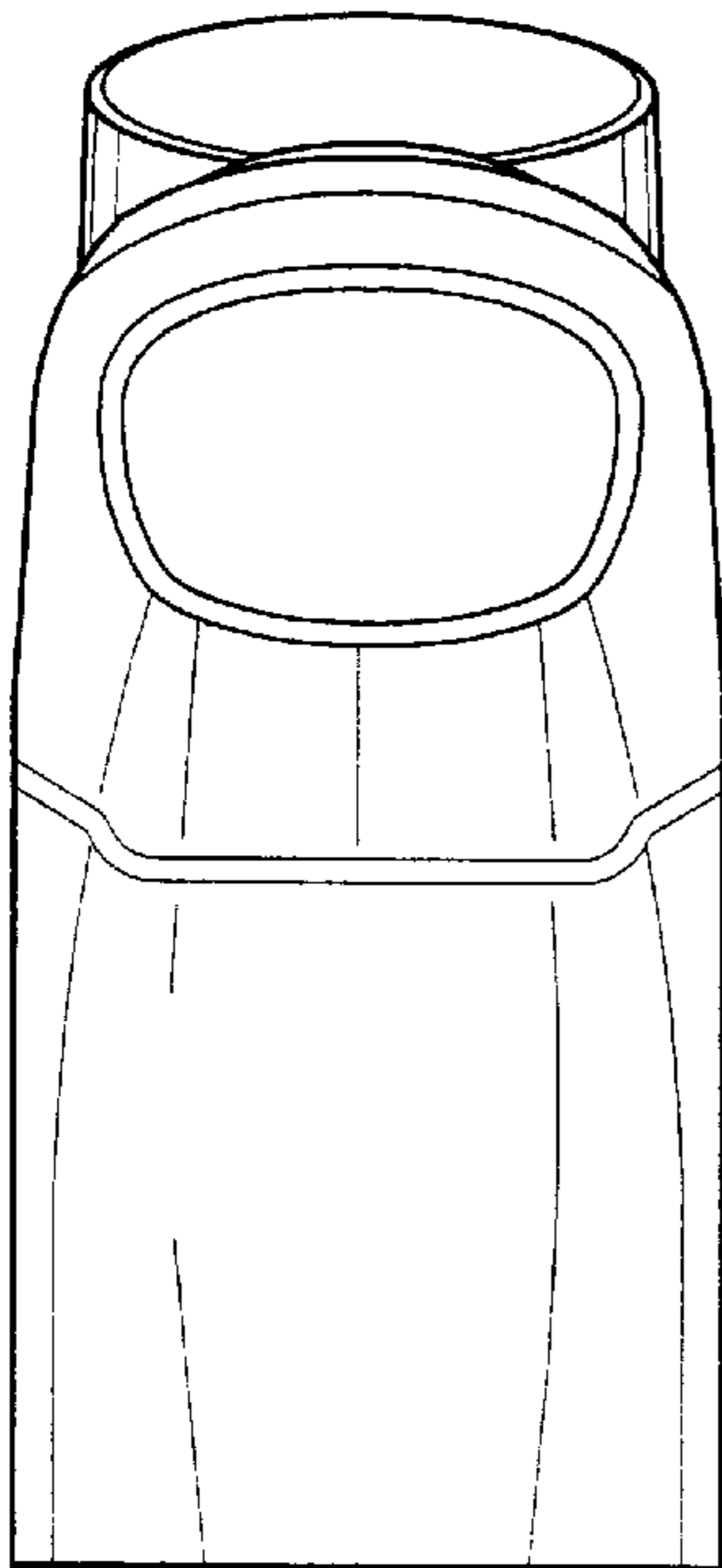


Fig-3

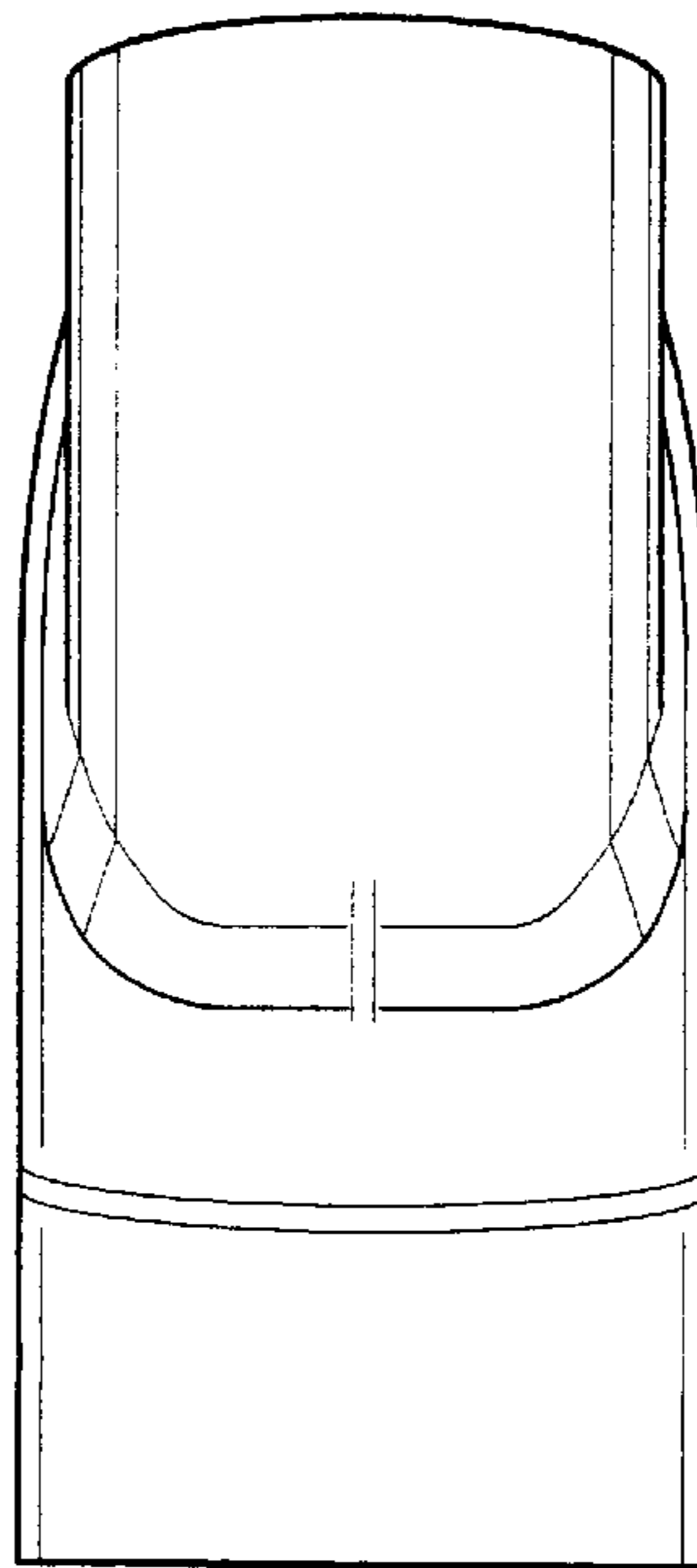


Fig-4

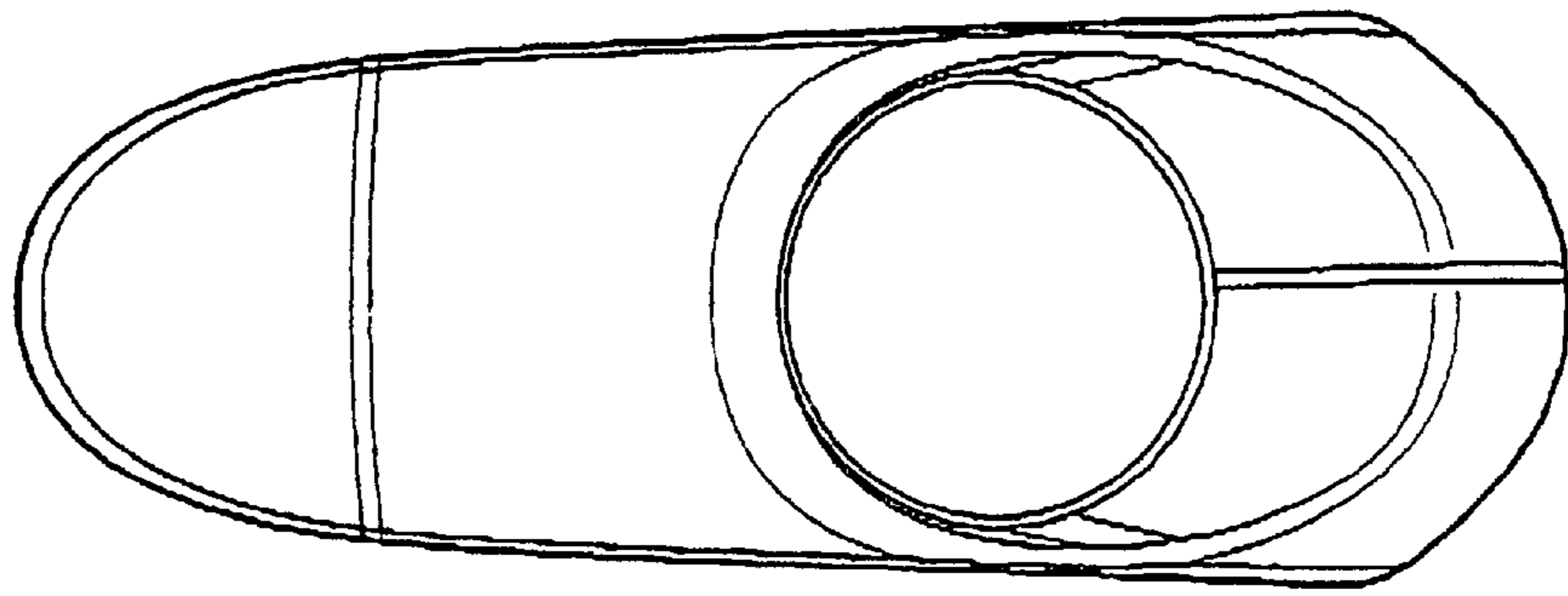


Fig-5

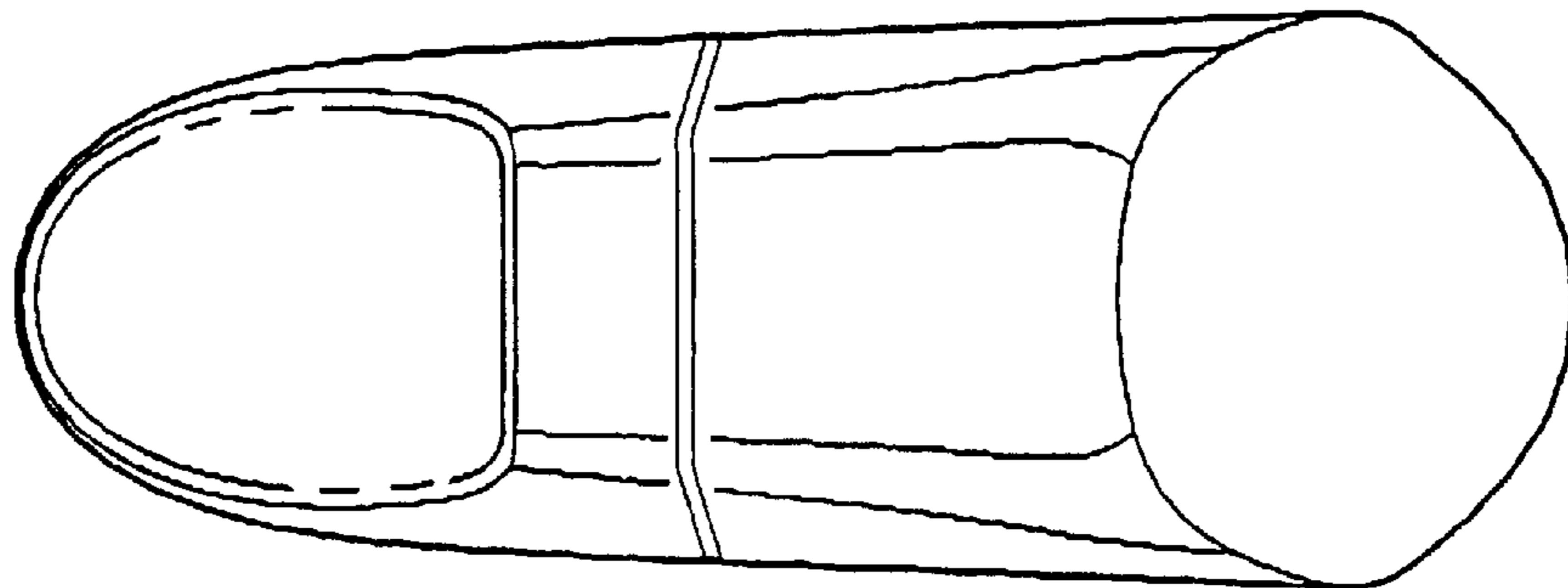


Fig-6

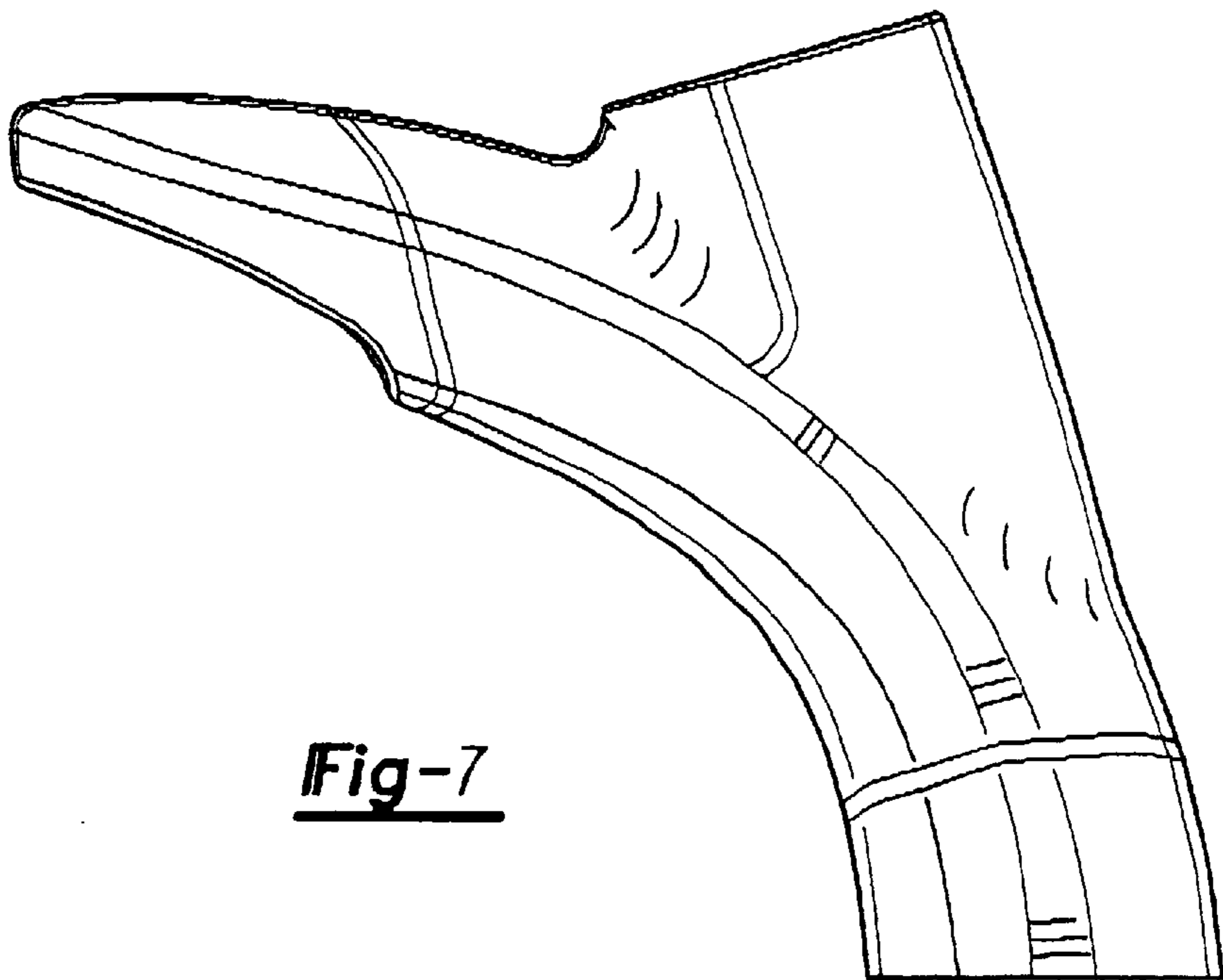


Fig-7