



US00D445880S

(12) **United States Design Patent**  
**Wen**

(10) **Patent No.:** **US D445,880 S**

(45) **Date of Patent:** **\*\* Jul. 31, 2001**

(54) **FAUCET**

D. 403,410 \* 12/1998 Doughty et al. .... D23/241  
D. 427,288 \* 6/2000 Ko ..... D23/241

(76) **Inventor:** **Kuo-Liang Wen**, No. 43, Lane 196,  
Sec. 2, Kwang-Fu Rd., Sanchung City,  
Taipei Hsien (TW)

\* cited by examiner

(\*\*) **Term:** **14 Years**

*Primary Examiner*—Louis S. Zarfes  
*Assistant Examiner*—Gregory Andoll  
(74) *Attorney, Agent, or Firm*—Bacon & Thomas, PLLC

(21) **Appl. No.:** **29/136,074**

(57) **CLAIM**

(22) **Filed:** **Jan. 25, 2001**

The ornamental design for a faucet, as shown.

(51) **LOC (7) Cl.** ..... **23-01**

**DESCRIPTION**

(52) **U.S. Cl.** ..... **D23/242**

(58) **Field of Search** ..... D23/238–243,  
D23/245, 249–257; D8/300–310, 350–354;  
4/675–678; 16/110 R–121; 137/801

FIG. 1 is a perspective view of a faucet, showing my new design;

FIG. 2 is a front view thereof;

FIG. 3 is a rear view thereof;

FIG. 4 is a left side view thereof;

FIG. 5 is a right side view thereof;

FIG. 6 is a top plan view thereof; and,

FIG. 7 is a bottom plan view thereof.

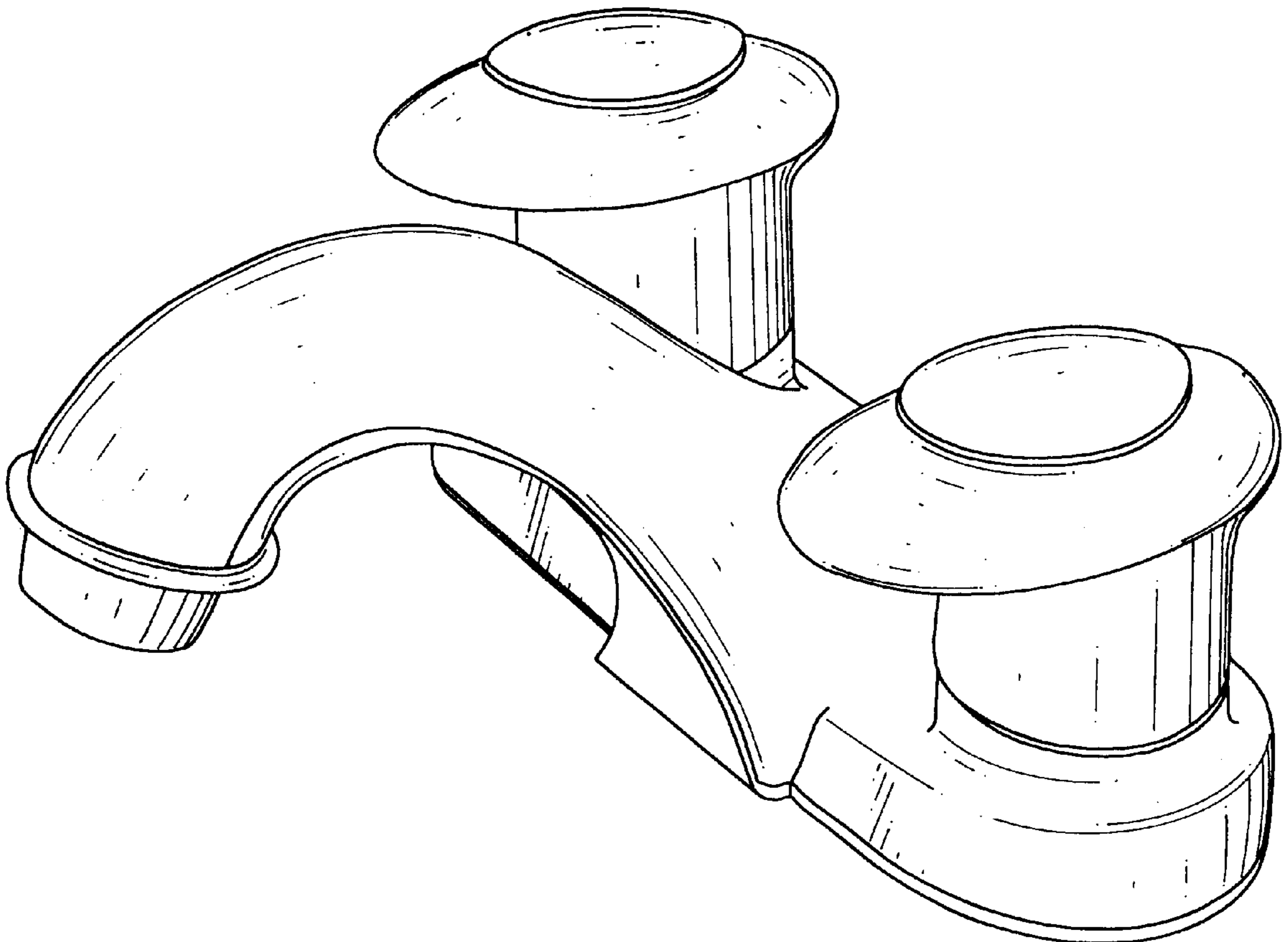
(56) **References Cited**

**U.S. PATENT DOCUMENTS**

D. 397,424 \* 8/1998 Ficken, Jr. et al. .... D23/241

D. 400,646 \* 11/1998 Hill et al. .... D23/241

**1 Claim, 5 Drawing Sheets**



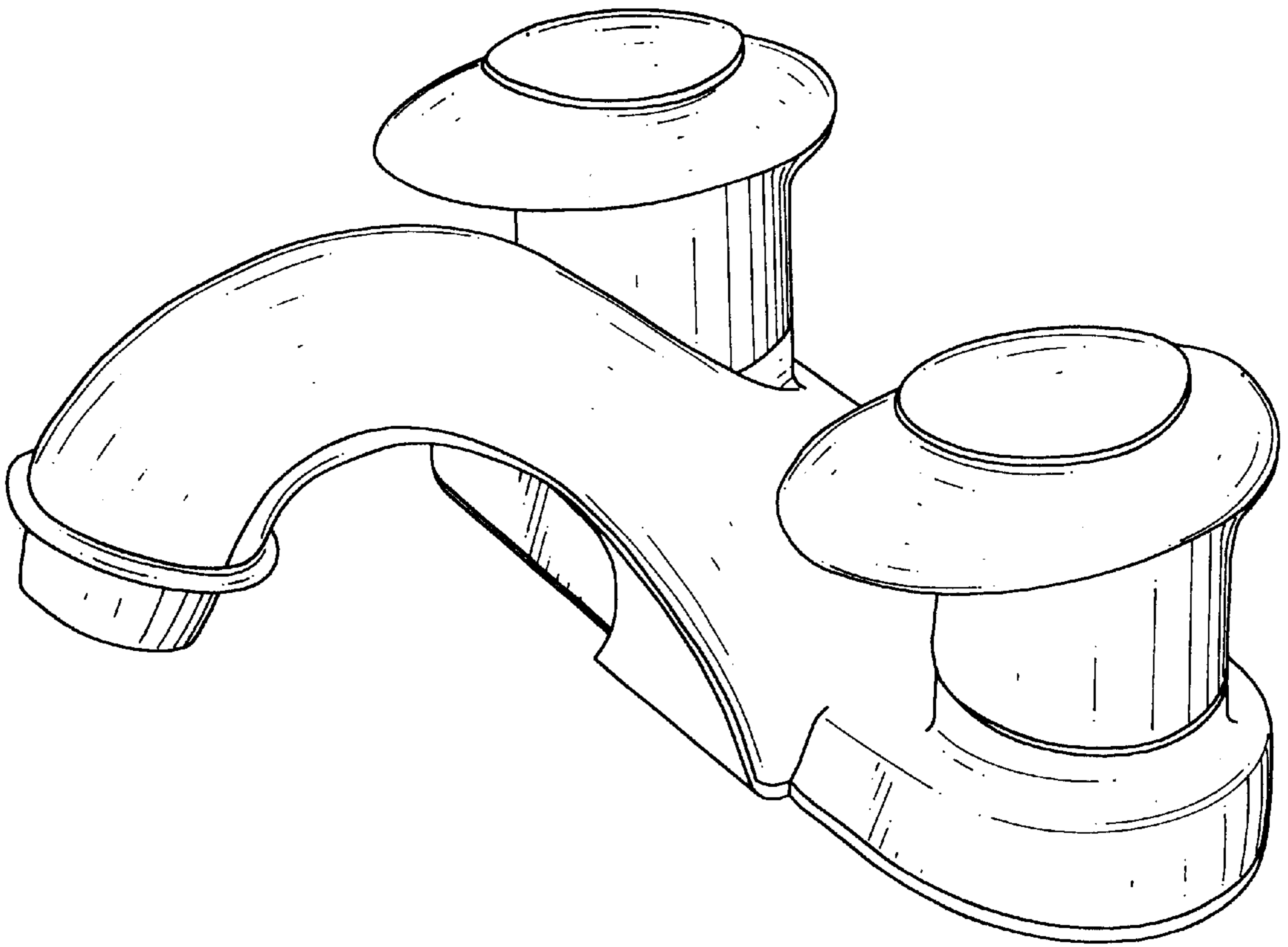


FIG. 1

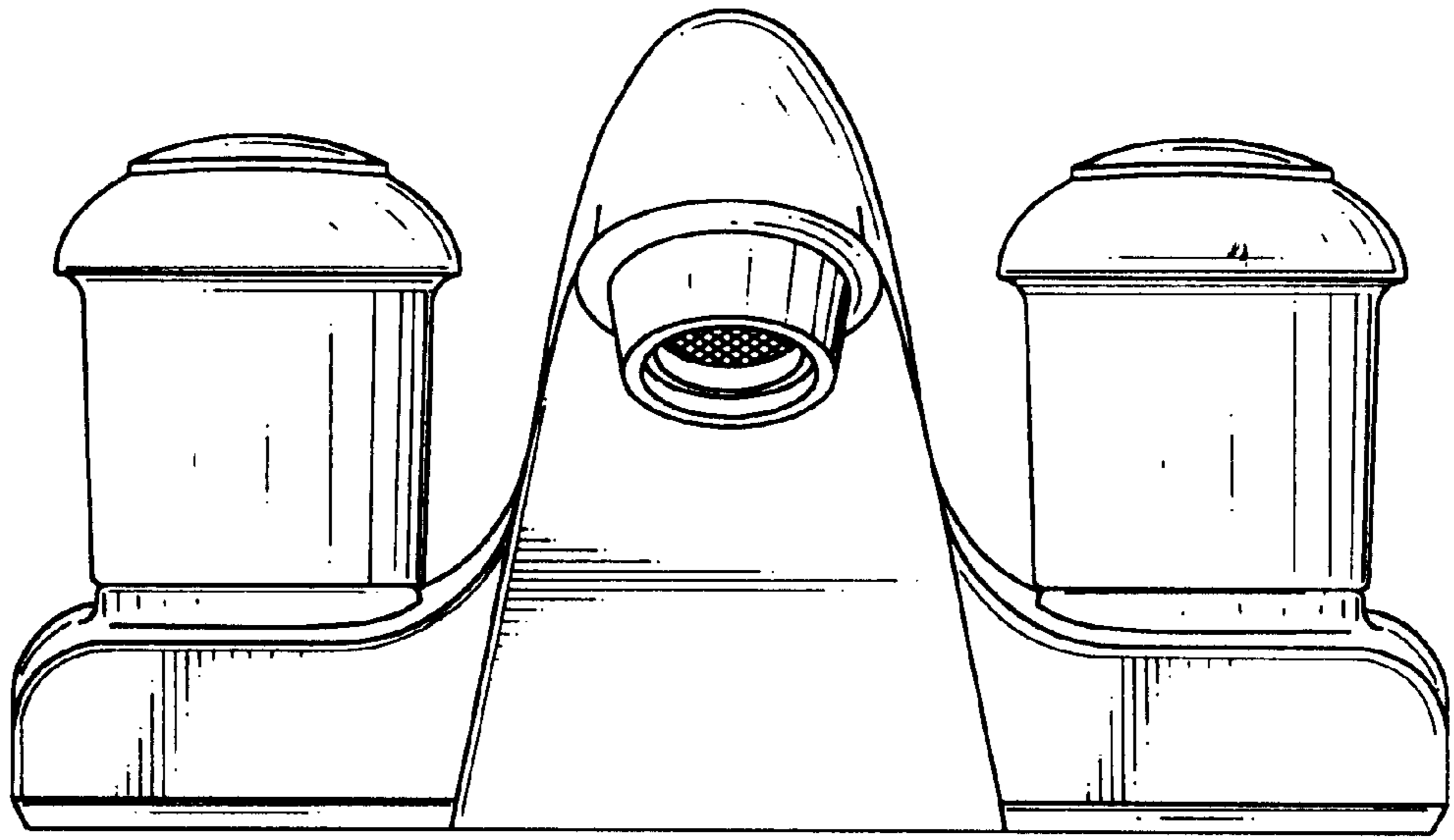


FIG. 2

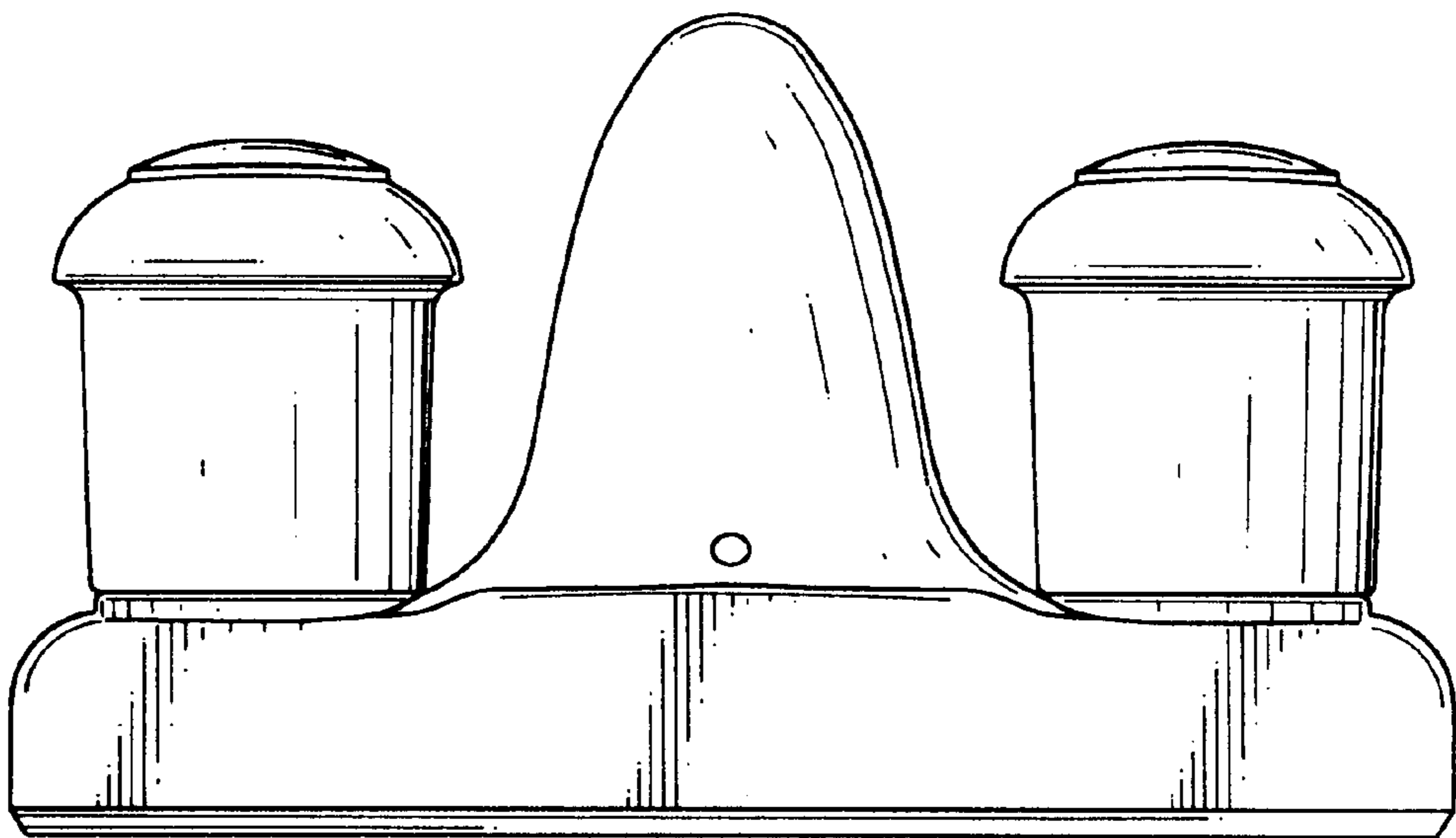


FIG. 3

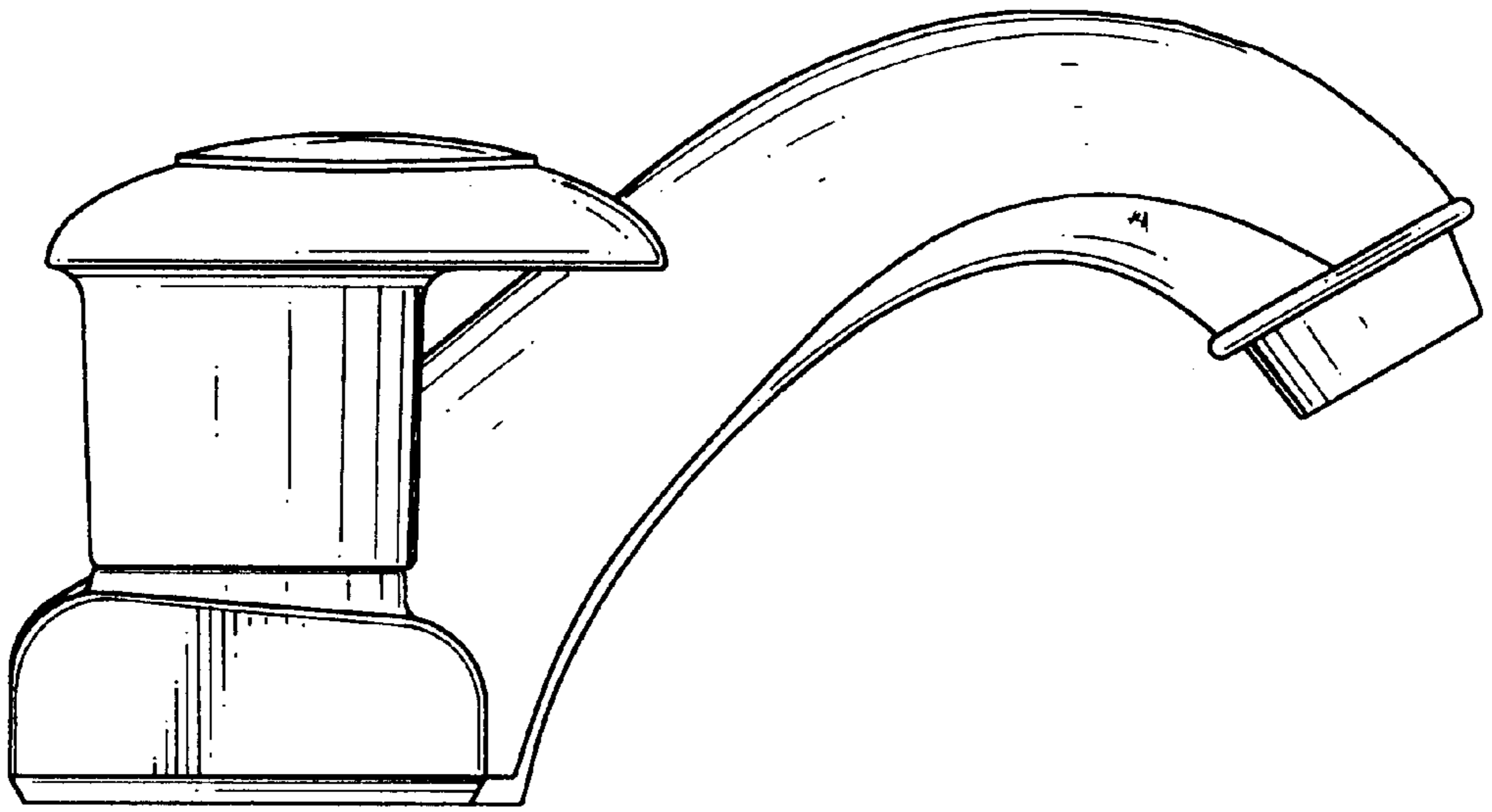


FIG. 4

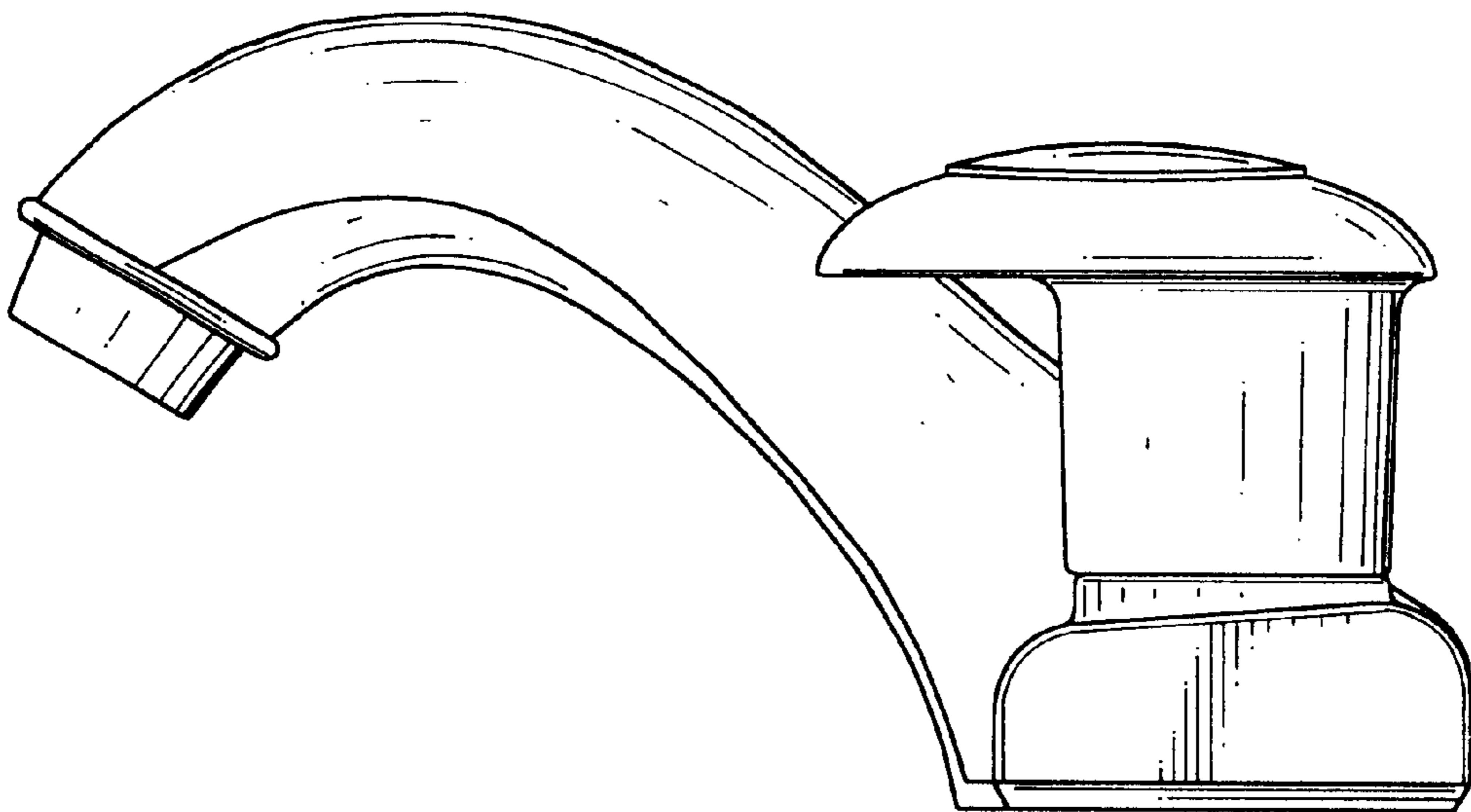


FIG. 5

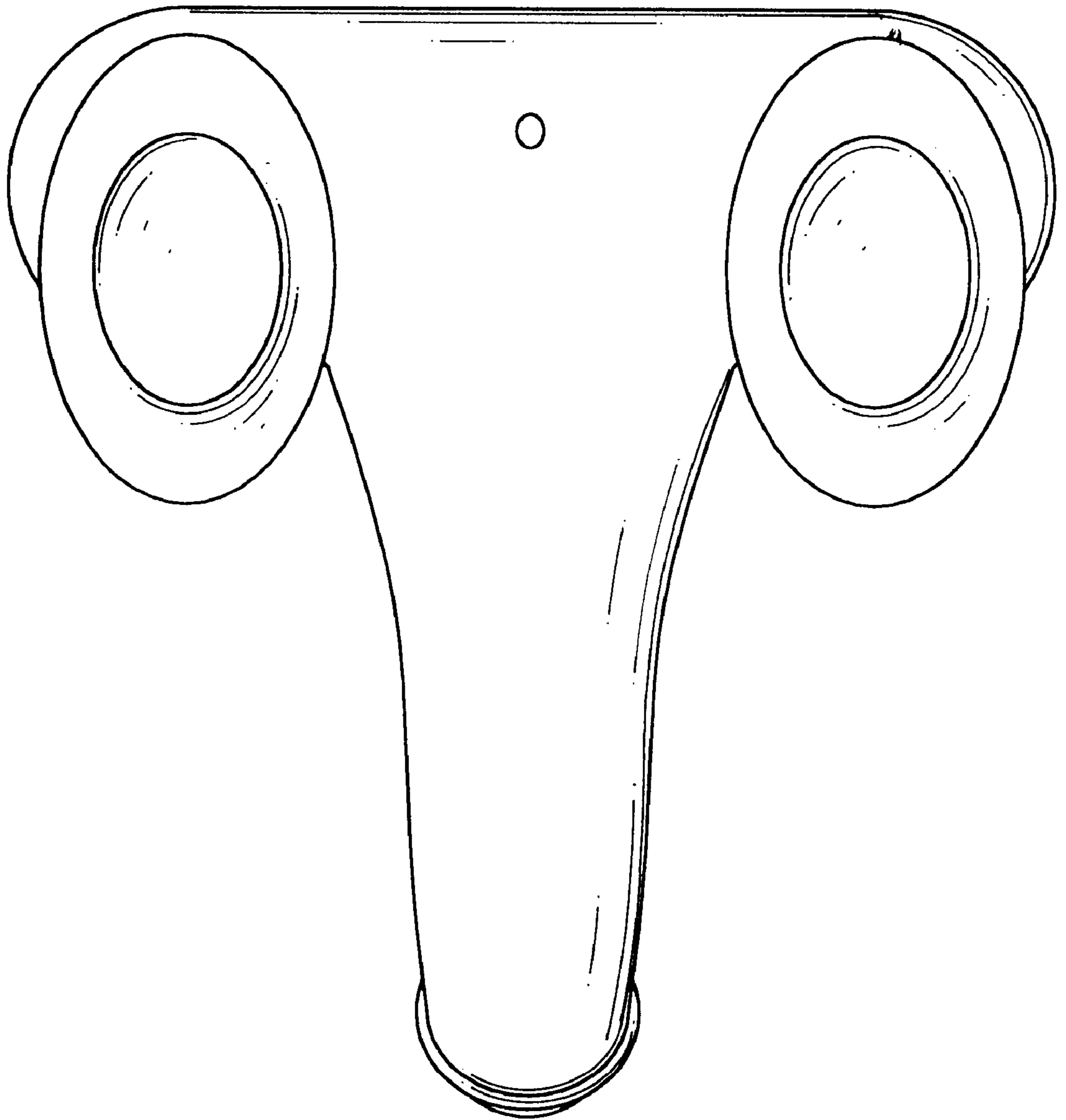


FIG. 6

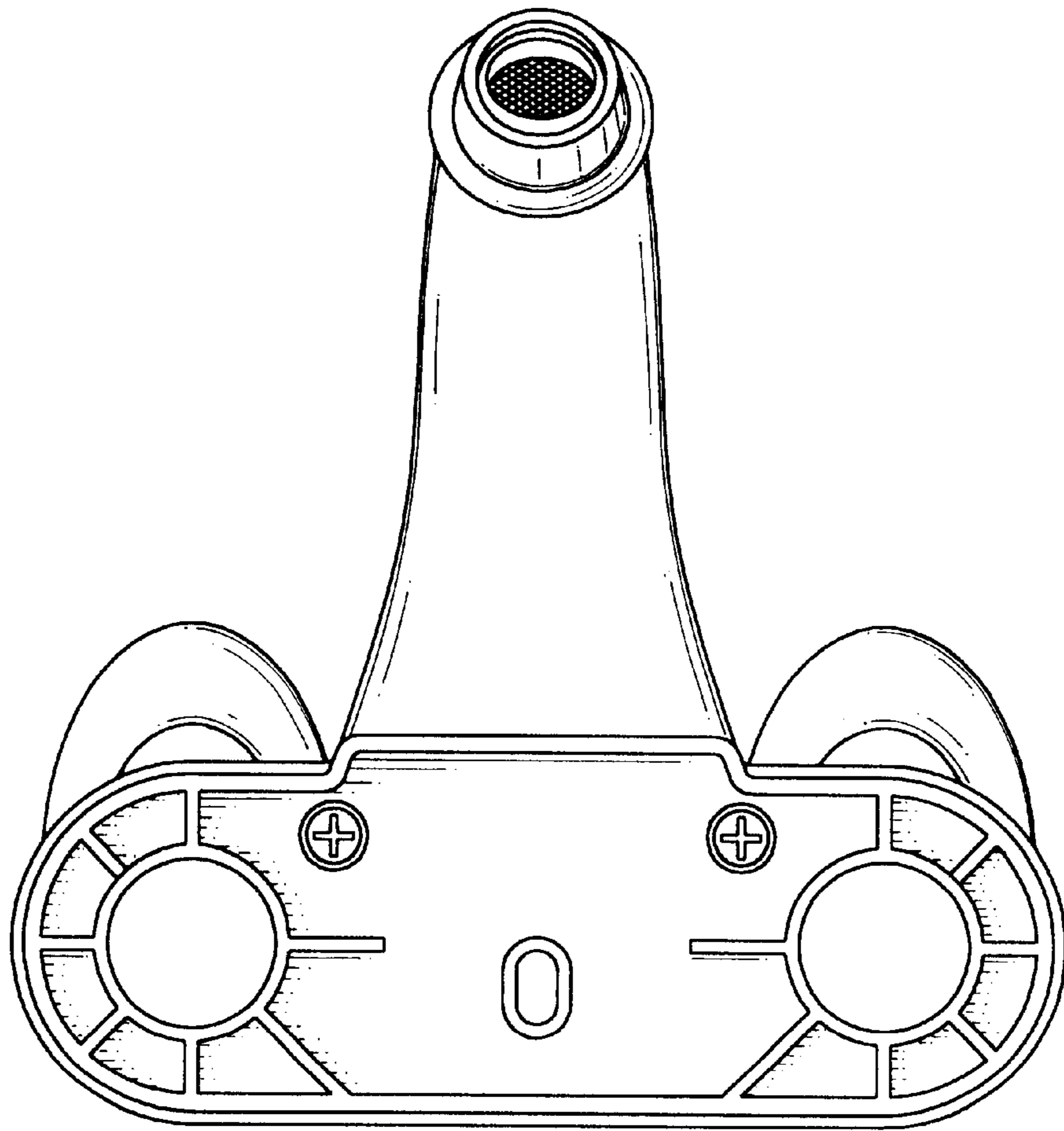


FIG. 7