



US00D445879S

(12) **United States Design Patent**  
**Starck**

(10) **Patent No.:** **US D445,879 S**

(45) **Date of Patent:** **\*\* Jul. 31, 2001**

(54) **SANITARY MIXING VALVE**

(75) Inventor: **Philippe Starck**, Issy-les-Moulineaux (FR)

(73) Assignee: **Hansgrohe AG**, Schiltach (DE)

(\*\*) Term: **14 Years**

(21) Appl. No.: **29/131,567**

(22) Filed: **Oct. 25, 2000**

(30) **Foreign Application Priority Data**

Apr. 26, 2000 (DE) ..... 4 00 04 394

(51) **LOC (7) Cl.** ..... **23-01**

(52) **U.S. Cl.** ..... **D23/241**

(58) **Field of Search** ..... D23/238-243,  
D23/245, 249-257, 263, 304; D8/300-310,  
350-354; 4/675-678; 16/110 R-121; 137/801

(56) **References Cited**

**U.S. PATENT DOCUMENTS**

- D. 240,131 \* 6/1976 Dwyer ..... D23/263
- D. 417,265 \* 11/1999 Starck ..... D23/304
- D. 423,647 \* 4/2000 Gottwald et al. .... D23/238

**OTHER PUBLICATIONS**

HANSA prospectus (SPARSAM), Sep., 1998.  
HANSA prospectus (HANSATEMPRA), Sep., 1998.  
GROHETEC prospectus, Mar., 1999, pp. 18 and 19.

\* cited by examiner

*Primary Examiner*—Louis S. Zarfes

*Assistant Examiner*—Gregory Andoll

(74) *Attorney, Agent, or Firm*—Duane Morris & Heckscher LLP

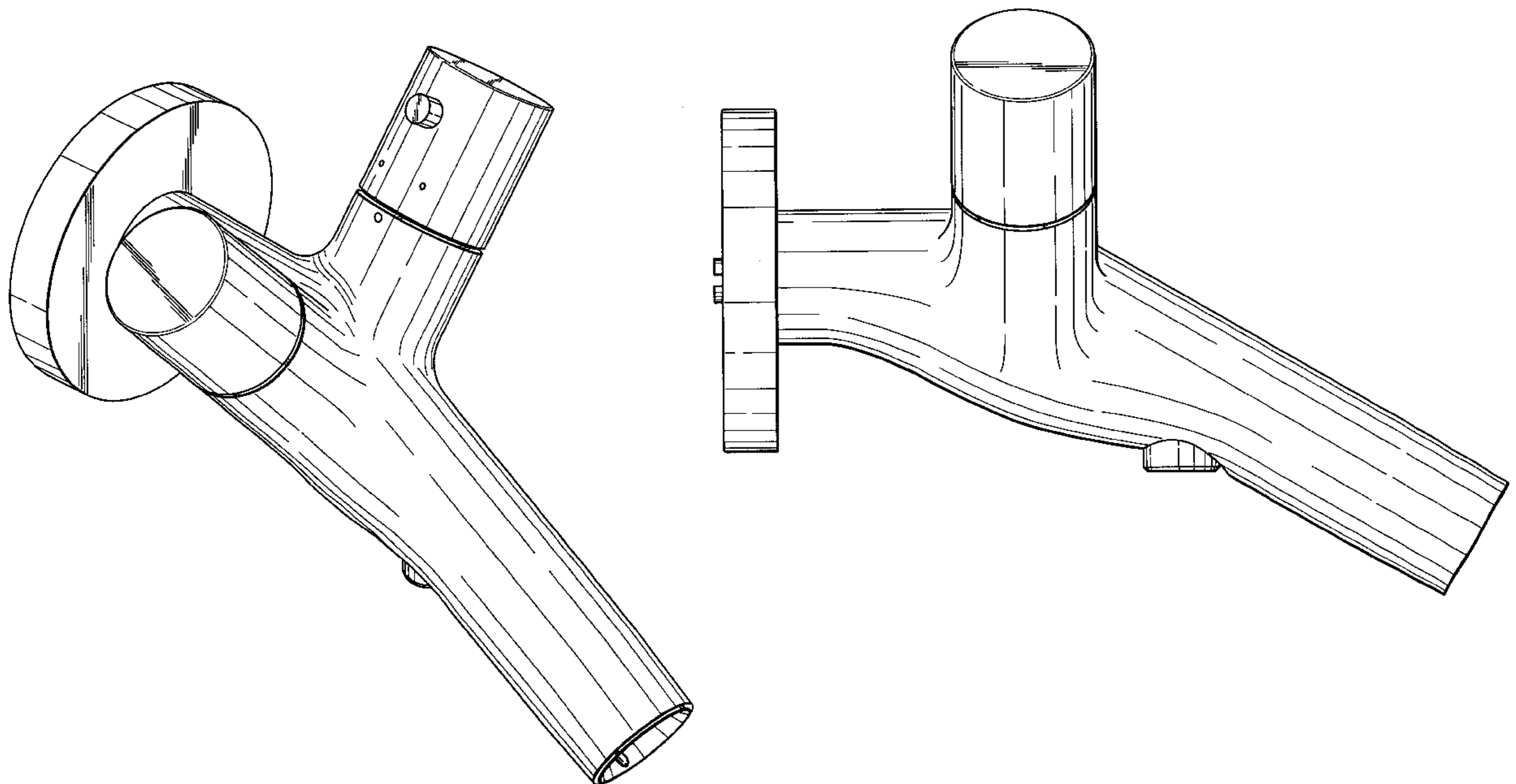
(57) **CLAIM**

The ornamental design for a sanitary mixing valve, as shown and described.

**DESCRIPTION**

FIG. 1 is a side perspective view of a sanitary mixing valve showing my new design;  
FIG. 2 is a side elevation view thereof, the opposite side being a mirror image;  
FIG. 3 is a front elevation view thereof;  
FIG. 4 is a top plan view thereof;  
FIG. 5 is a bottom plan view thereof; and,  
FIG. 6 is a rear elevation view thereof.

**1 Claim, 6 Drawing Sheets**



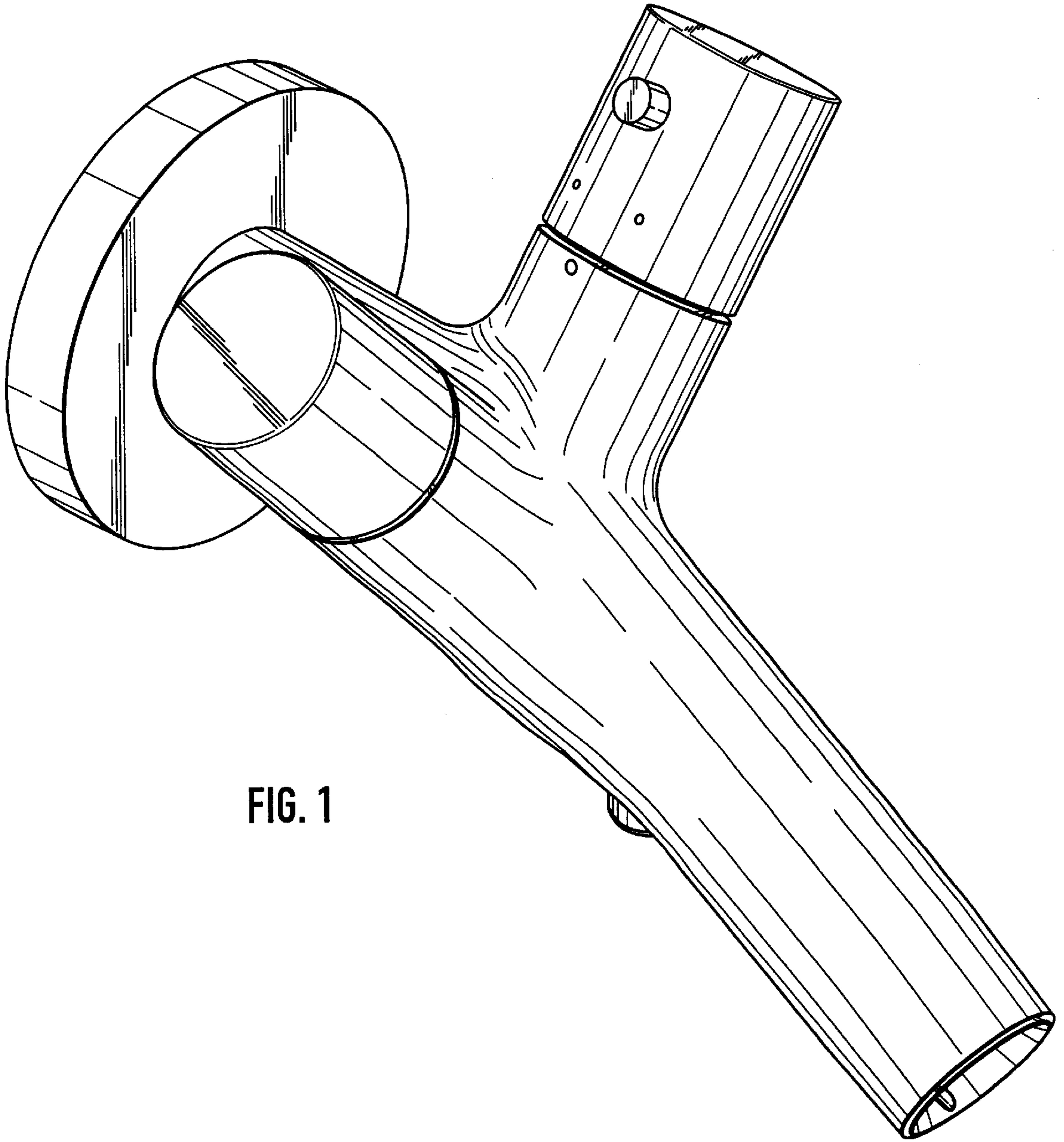


FIG. 1

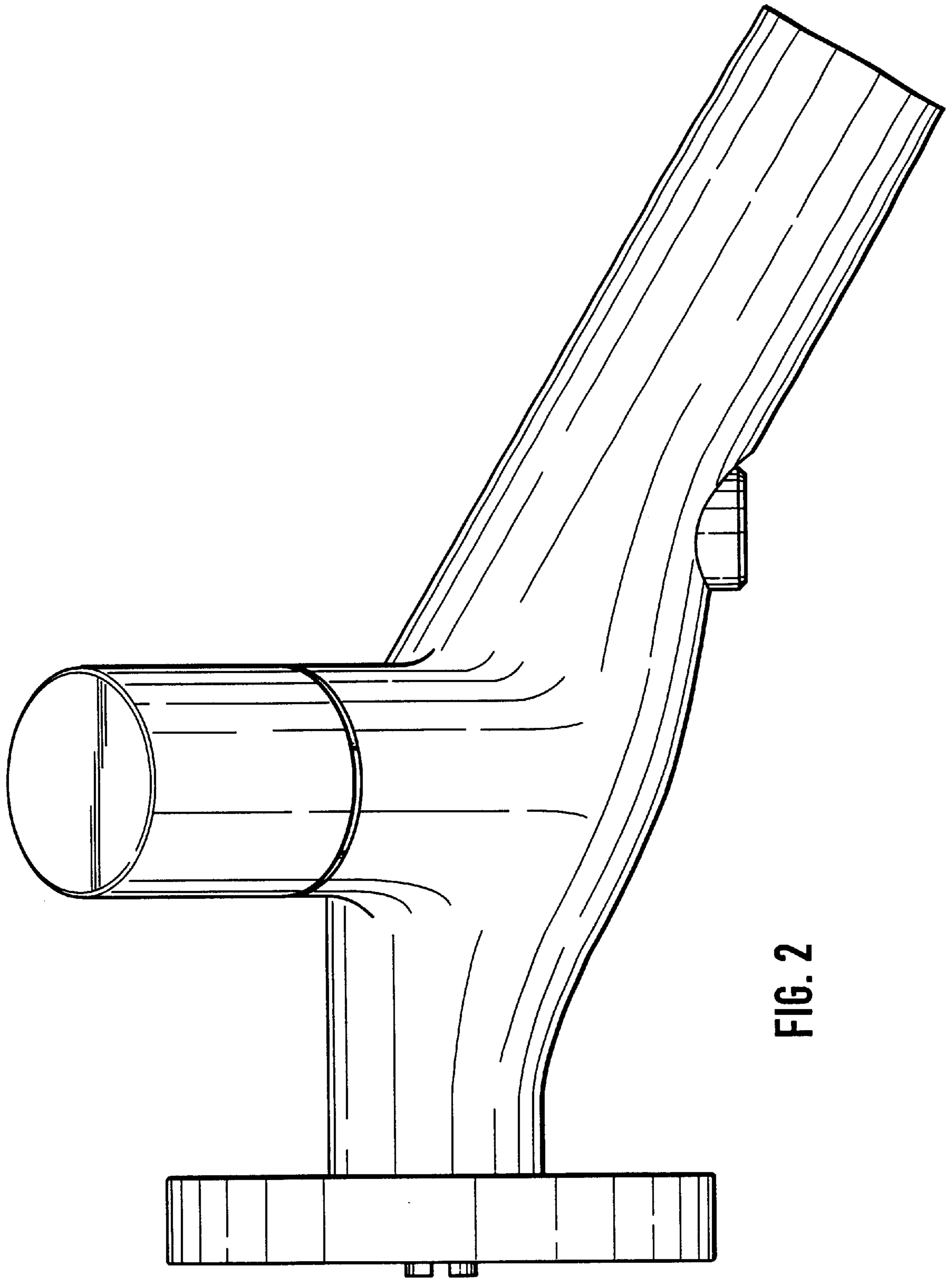


FIG. 2

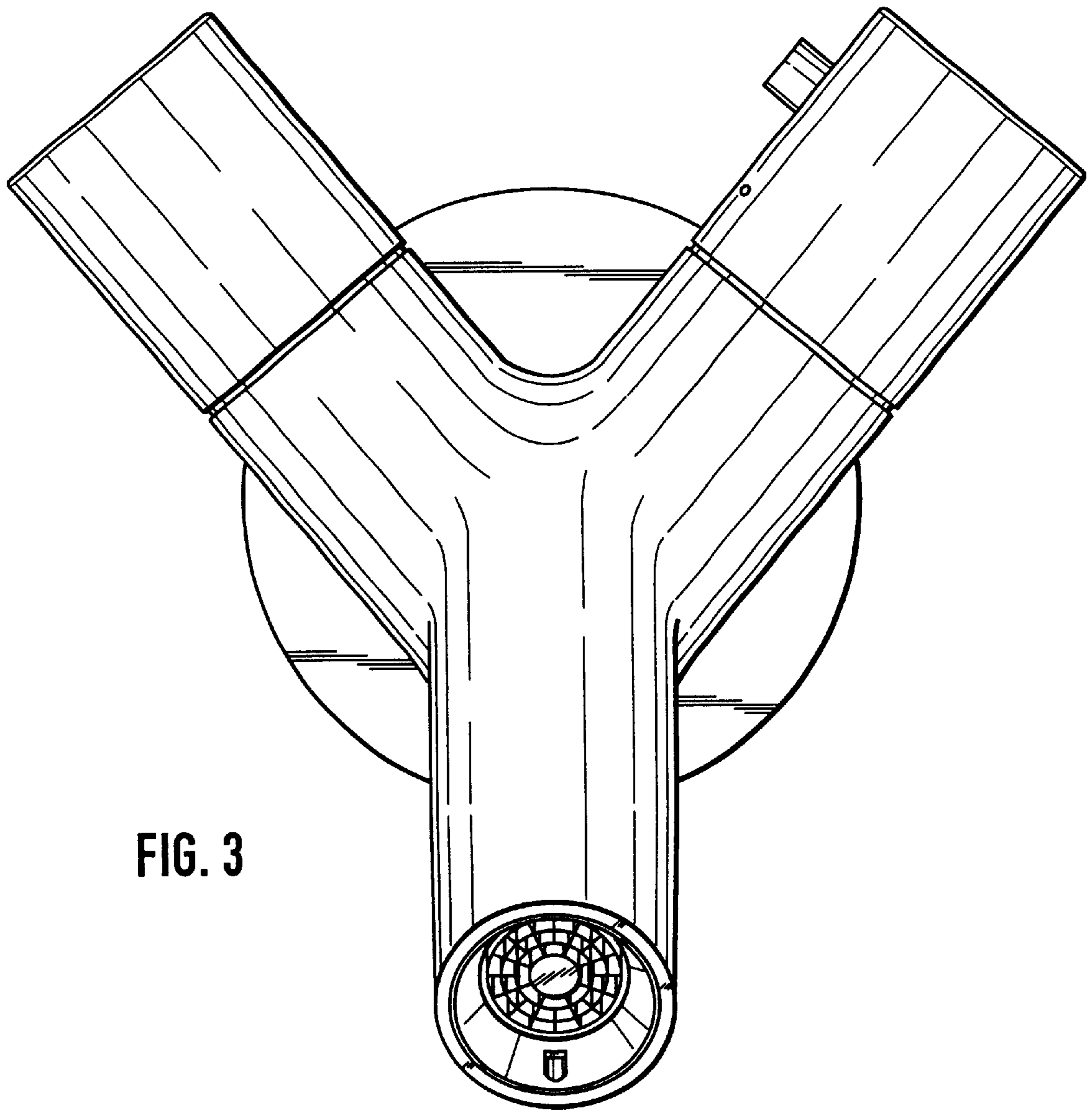


FIG. 3

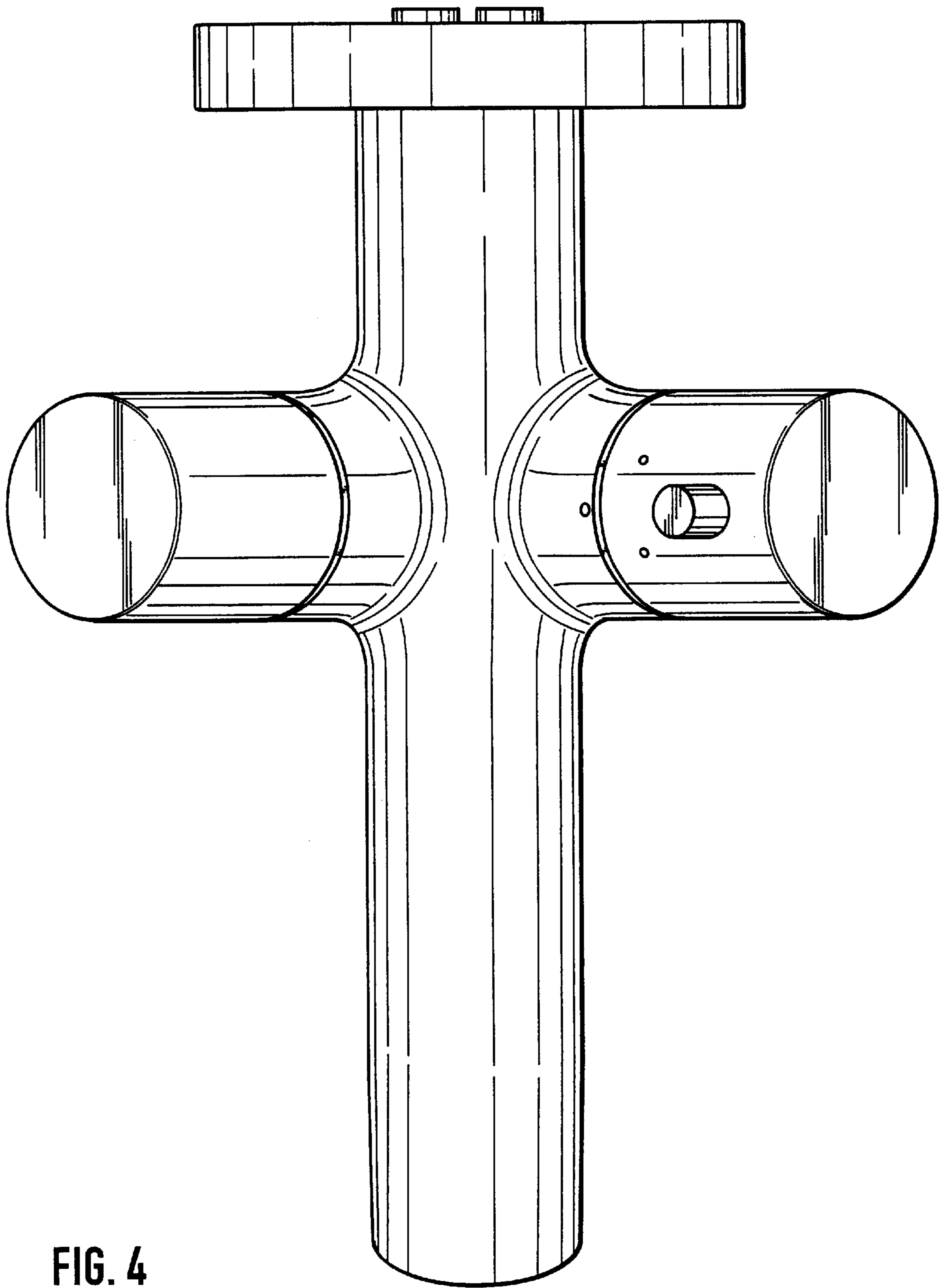


FIG. 4

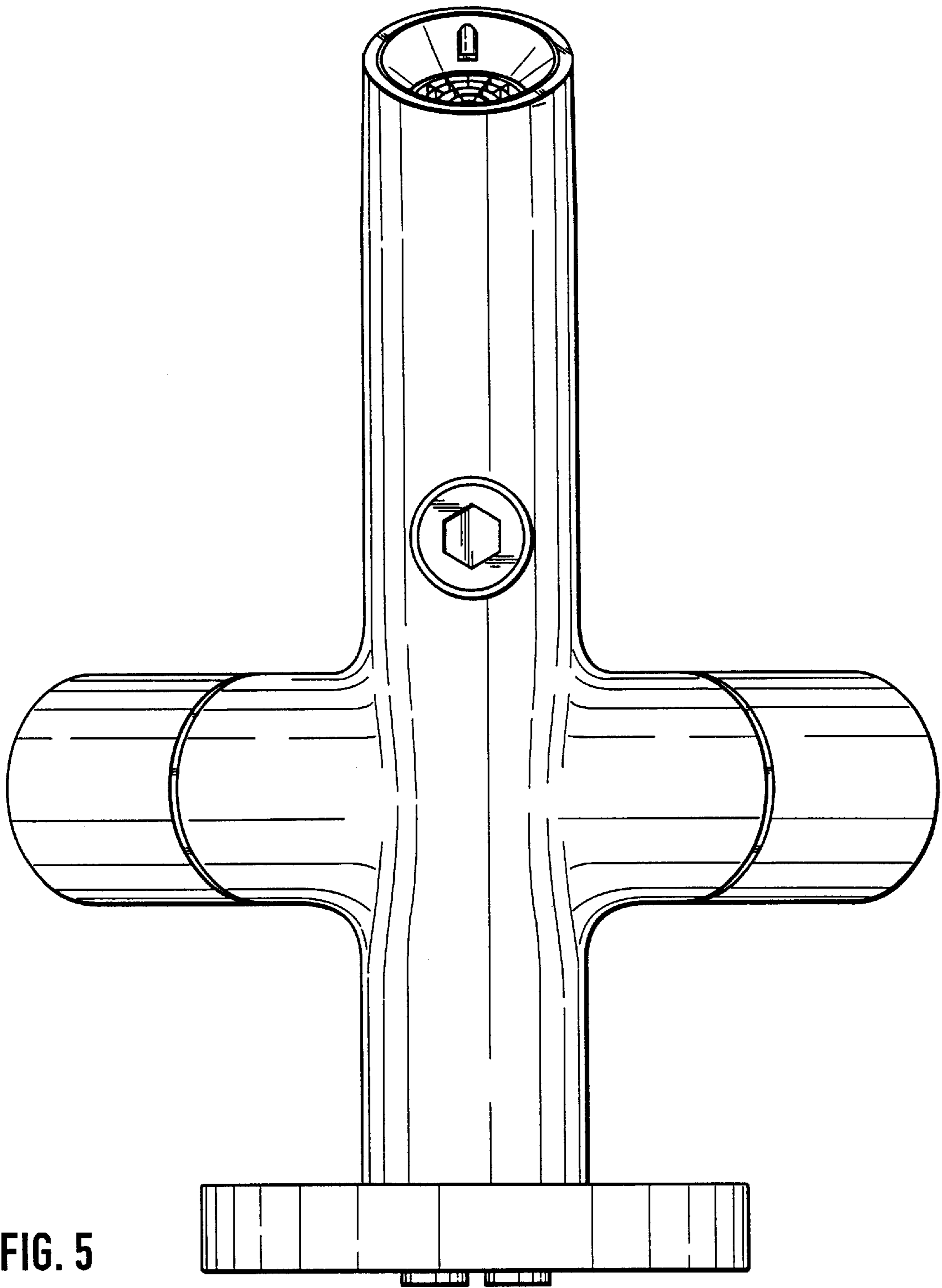


FIG. 5

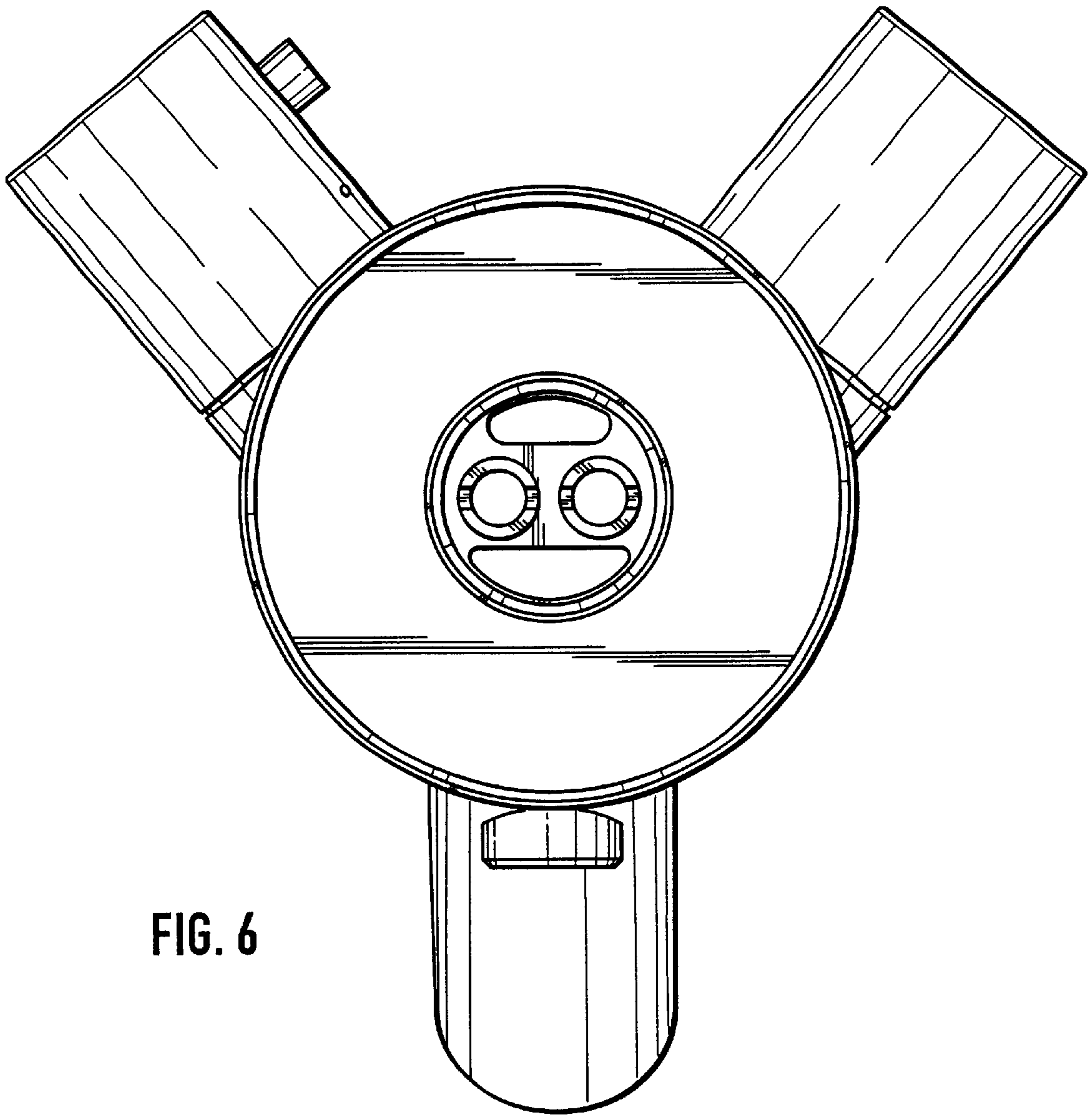


FIG. 6