



US00D445874S

(12) **United States Design Patent**  
**Czerwinski, Jr. et al.**

(10) **Patent No.:** **US D445,874 S**

(45) **Date of Patent:** **\*\* Jul. 31, 2001**

(54) **KITCHEN SIDE SPRAY**

(75) Inventors: **Jerome F. Czerwinski, Jr.**, Long Beach; **Alvin Tolosa**, Ventura, both of CA (US)

(73) Assignee: **Emhart Inc.**, Newark, NJ (US)

(\*\*) Term: **14 Years**

(21) Appl. No.: **29/131,180**

(22) Filed: **Oct. 16, 2000**

(51) **LOC (7) Cl.** ..... **23-01**

(52) **U.S. Cl.** ..... **D23/226**

(58) **Field of Search** ..... D23/213, 223,  
D23/226; 239/459, 460, 394, 525-527,  
562

(56) **References Cited**

**U.S. PATENT DOCUMENTS**

D. 162,655	3/1951	Heydt .
D. 373,173	8/1996	Valley .
D. 378,122	2/1997	Milrud .
D. 382,936	8/1997	Shfaram .
D. 382,937	8/1997	Shfaram .
D. 390,915	2/1998	Futo .
D. 392,023	3/1998	Milrud .
D. 406,317	3/1999	Hill .
D. 409,721	5/1999	Burchard .
D. 415,822	10/1999	Ouyoung .

D. 420,427	2/2000	Yung .	
D. 430,644	* 9/2000	Higgins	D23/226
D. 434,830	* 12/2000	Liou	D23/226
4,834,297	5/1989	Cumming .	
5,806,771	9/1998	Loschelder .	
5,845,851	12/1998	Shfaram .	
5,971,299	10/1999	Loschelder .	

\* cited by examiner

*Primary Examiner*—Robin V. Taylor

(74) *Attorney, Agent, or Firm*—Richard J. Veltman; John D. Del Ponti

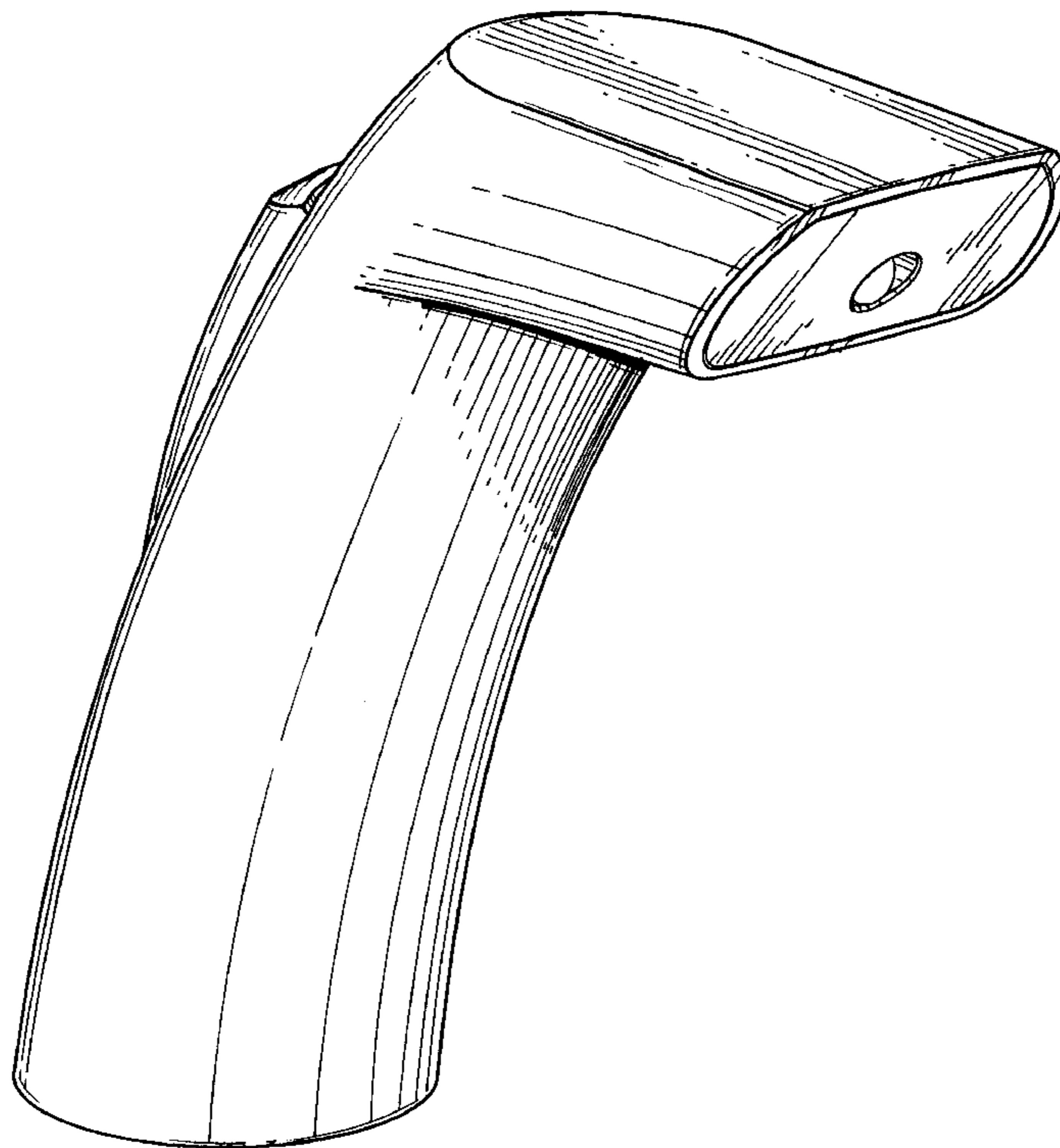
(57) **CLAIM**

The ornamental design of a kitchen side spray, as shown and described.

**DESCRIPTION**

FIG. 1 is a perspective view of the new design of a kitchen side spray;  
 FIG. 2 is a right side elevational view of kitchen side spray;  
 FIG. 3 is a rear elevational view of the new design of a kitchen side spray;  
 FIG. 4 is a front elevational view of the new design of a kitchen side spray;  
 FIG. 5 is a top plan view of the new design of a kitchen side spray; and,  
 FIG. 6 is a bottom plan view of the new design of a kitchen side spray.

**1 Claim, 3 Drawing Sheets**



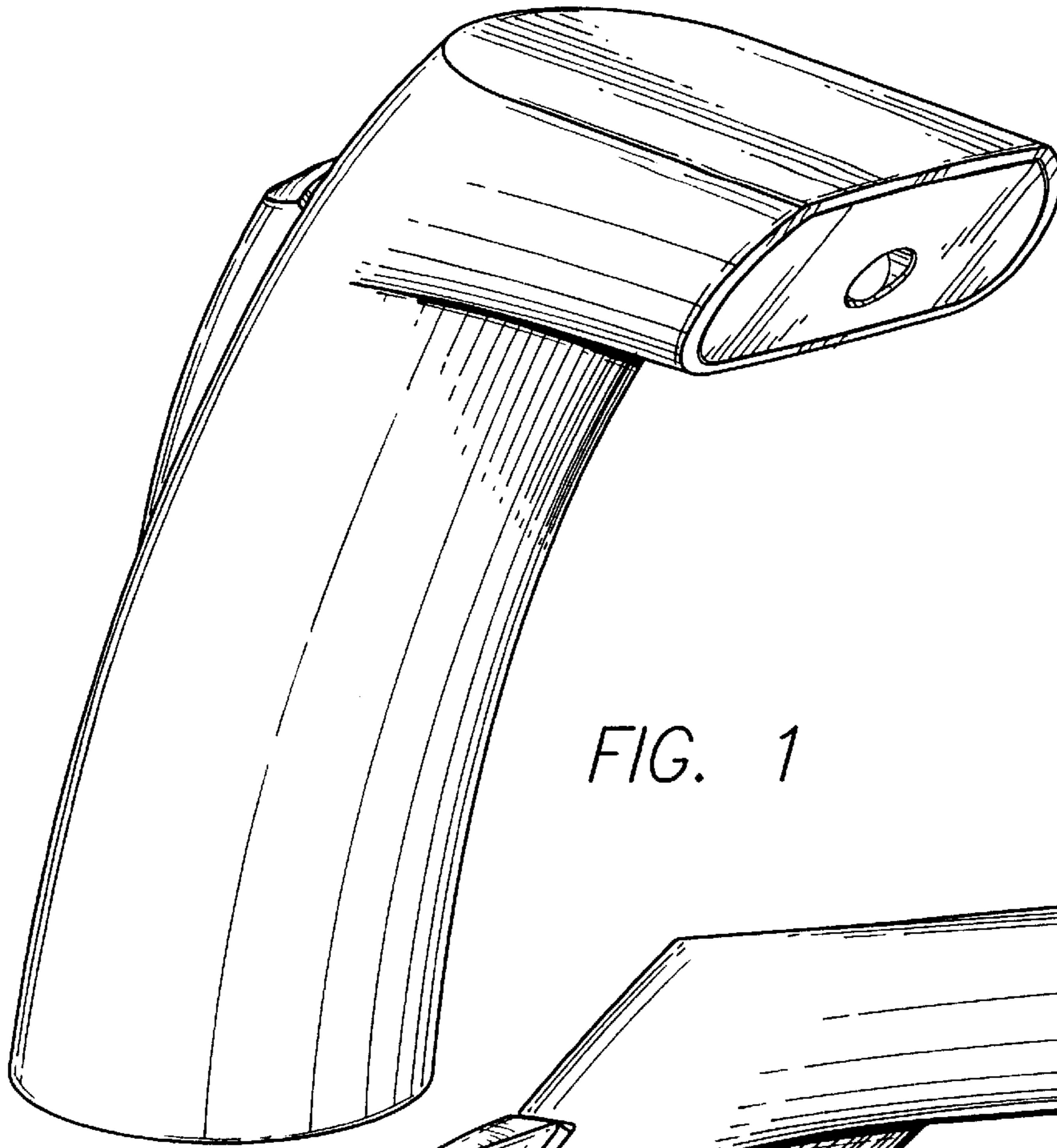


FIG. 1

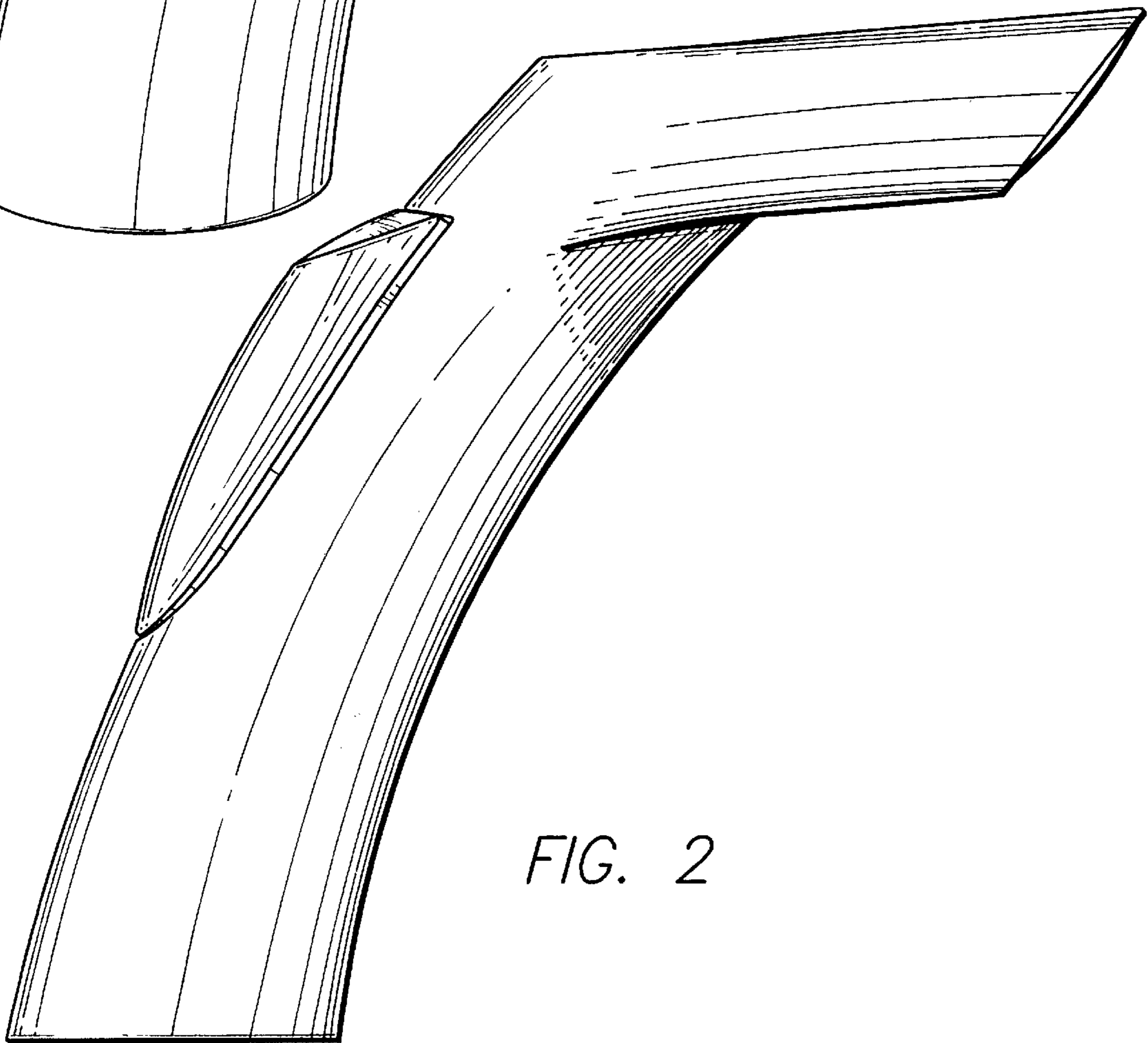


FIG. 2

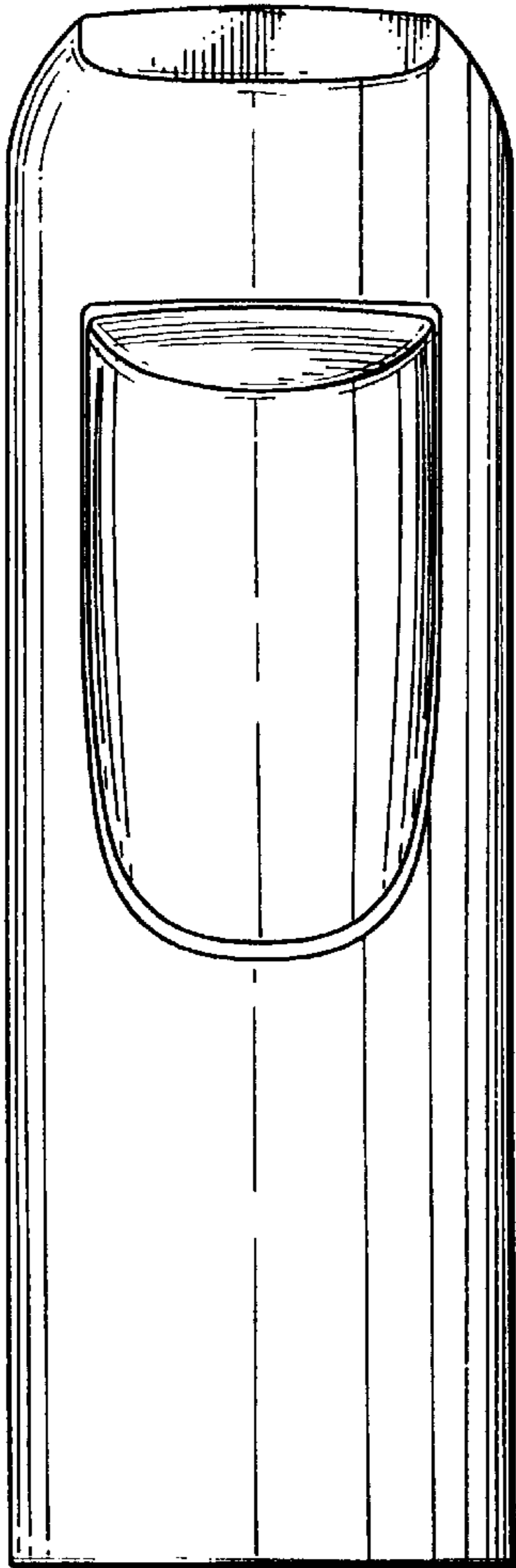


FIG. 3

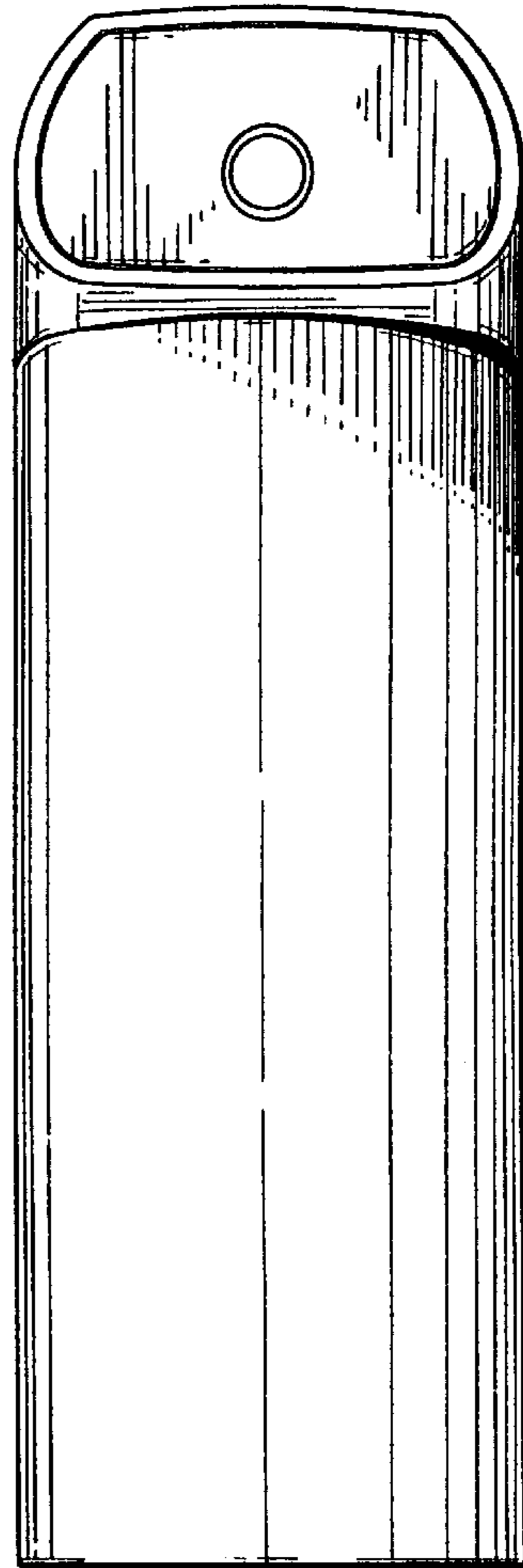


FIG. 4

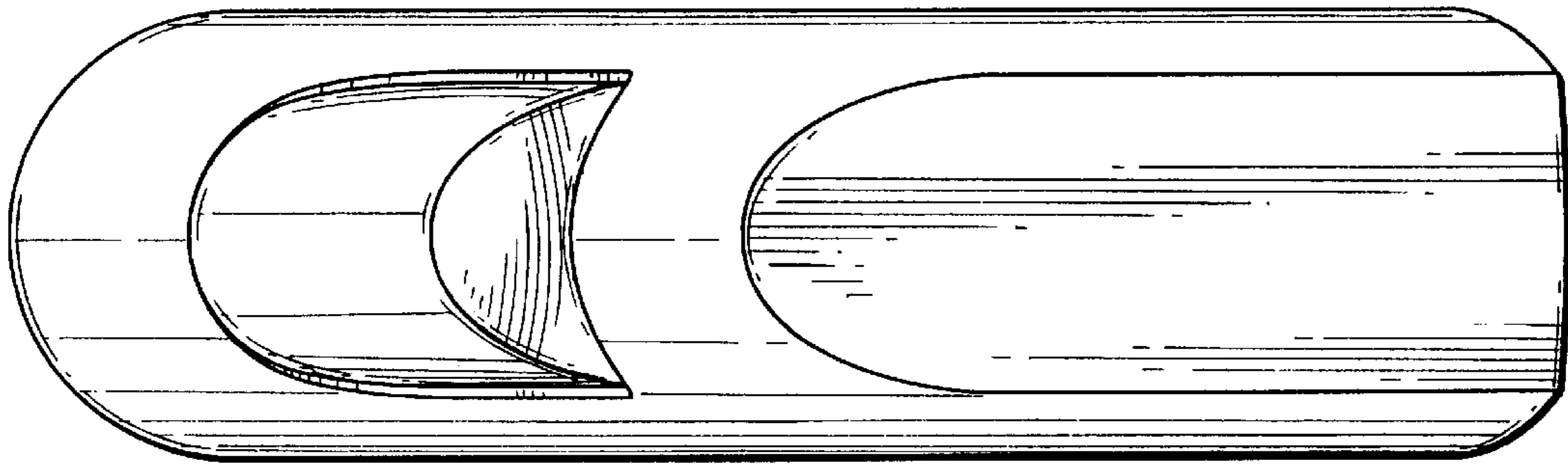


FIG. 5

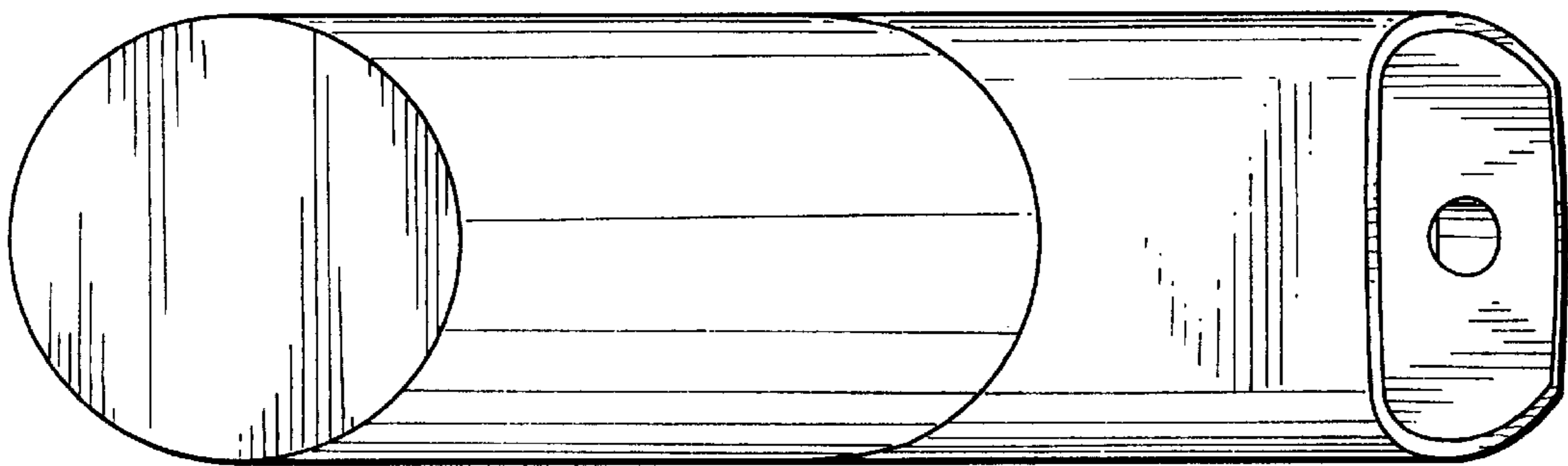


FIG. 6