



US00D445872S

(12) **United States Design Patent**
Ketcham et al.

(10) **Patent No.:** **US D445,872 S**

(45) **Date of Patent:** **** Jul. 31, 2001**

(54) **SPRAY NOZZLE**

(75) Inventors: **Craig S. Ketcham**, Somerset, PA (US);
Mark MacLean-Blevins, Westminster,
MD (US)

(73) Assignee: **Green Garden, Inc.**, Bedford, PA (US)

(**) Term: **14 Years**

(21) Appl. No.: **29/127,774**

(22) Filed: **Aug. 11, 2000**

(51) **LOC (7) Cl.** **23-01**

(52) **U.S. Cl.** **D23/225**

(58) **Field of Search** D23/213, 225;
239/316-318

(56) **References Cited**

U.S. PATENT DOCUMENTS

D. 429,794	*	8/2000	Beaver et al.	D23/213
D. 433,095	*	10/2000	Beaver et al.	D23/225
5,183,206	*	2/1993	Gavin	239/317
5,213,265	*	5/1993	Englhard et al.	239/310
5,383,603	*	1/1995	Englhard et al.	239/318

* cited by examiner

Primary Examiner—Robin V. Taylor

(74) *Attorney, Agent, or Firm*—Reed Smith

(57) **CLAIM**

The ornamental design for spray nozzle, as shown and described.

DESCRIPTION

FIG. 1 is a side view of a first spray nozzle in accordance with the invention;

FIG. 2 is a front end view of the first spray nozzle;

FIG. 3 is a rear end view of the first spray nozzle;

FIG. 4 is a top view of the first spray nozzle;

FIG. 5 is a bottom view of the first spray nozzle;

FIG. 6 is a lower perspective view of the first spray nozzle;

FIG. 7 is an upper perspective view of the first spray nozzle;

FIG. 8 is a side view of a second spray nozzle in accordance with the invention;

FIG. 9 is a front end view of the second spray nozzle;

FIG. 10 is a rear end view of the second spray nozzle;

FIG. 11 is a top view of the second spray nozzle;

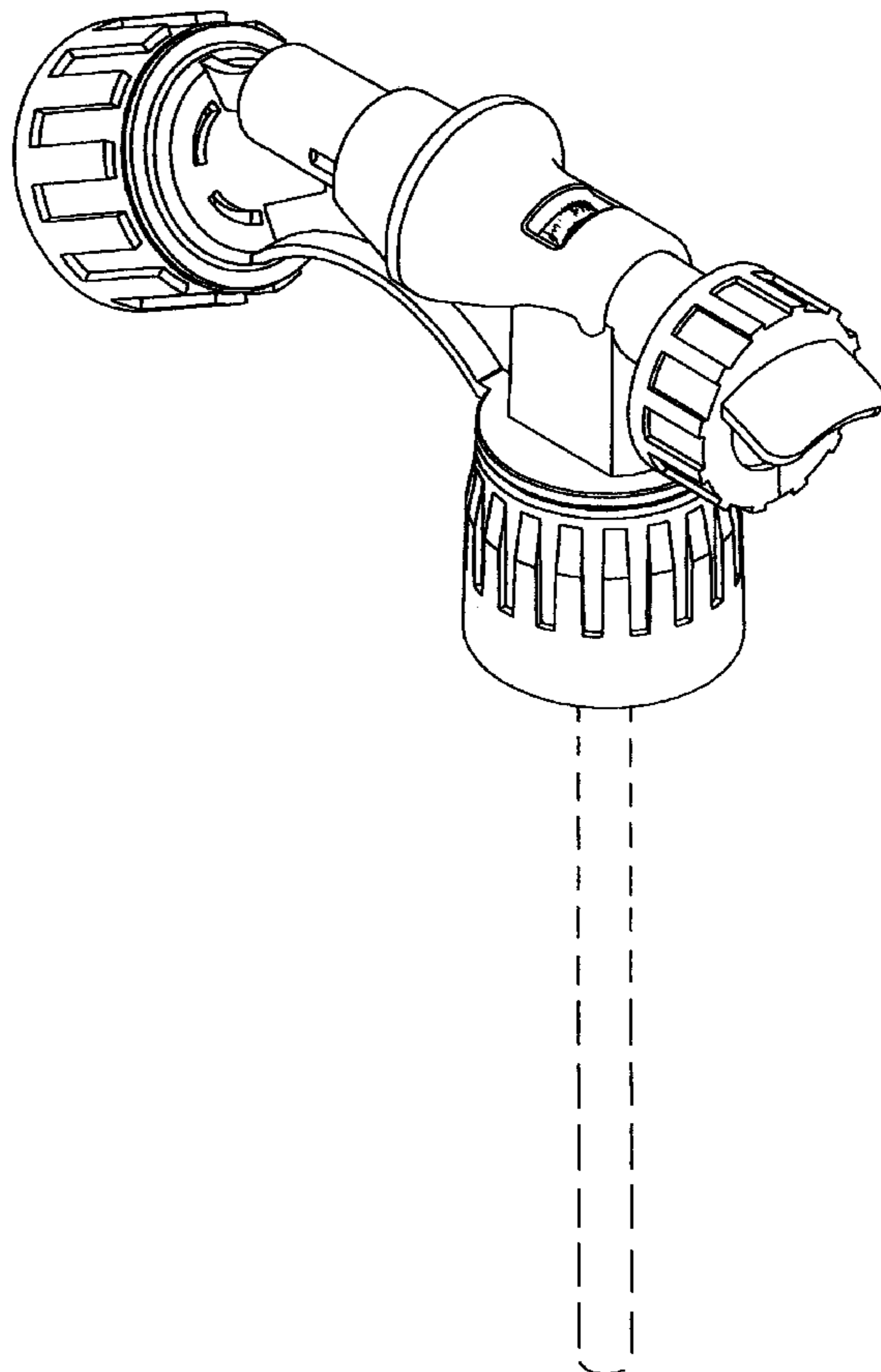
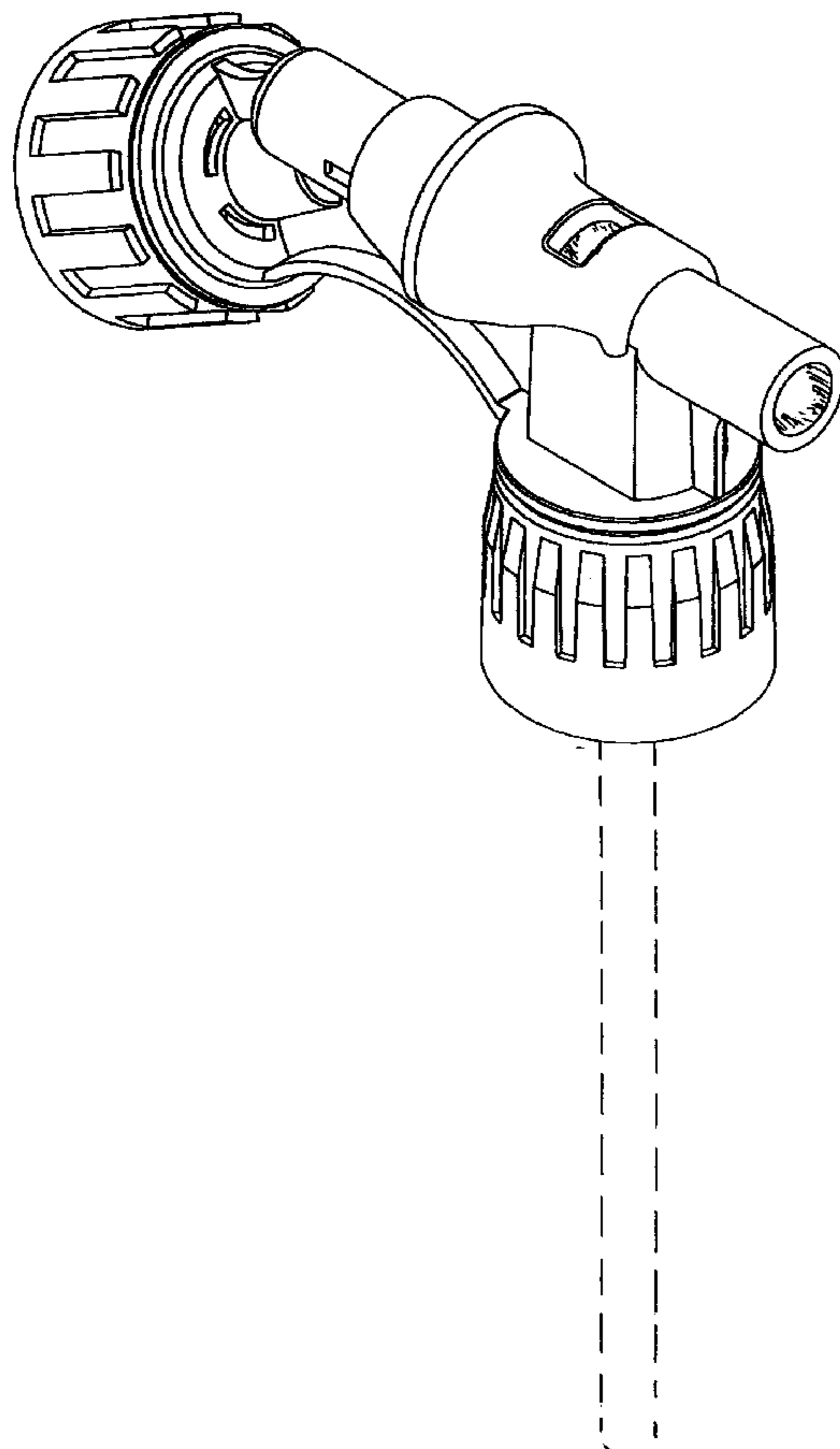
FIG. 12 is a bottom view of the second spray nozzle;

FIG. 13 is a lower perspective view of the second spray nozzle; and,

FIG. 14 is an upper perspective view of the second spray nozzle.

The broken line showing is for illustrative purposes only and forms no part of the claimed design.

1 Claim, 14 Drawing Sheets



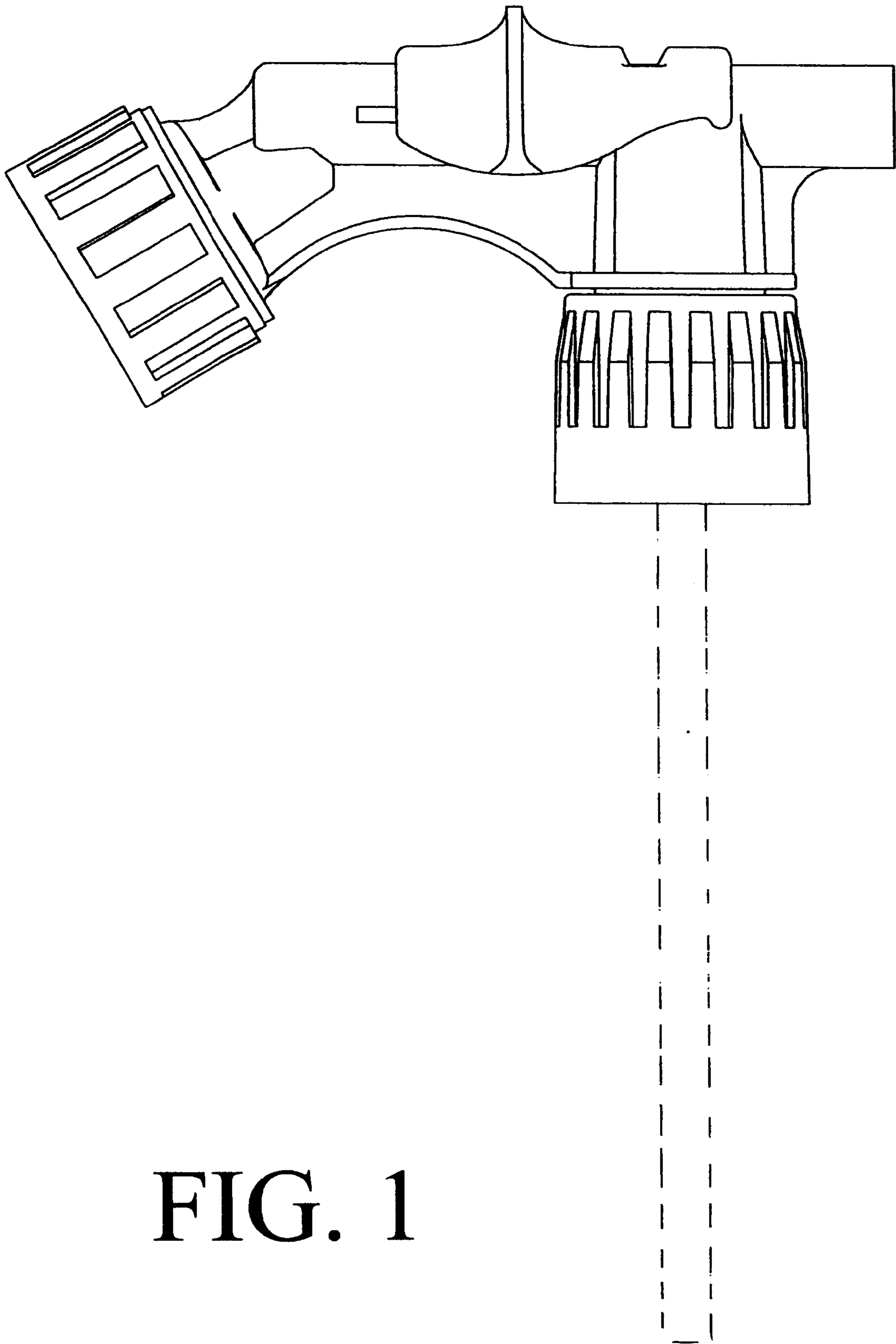


FIG. 1

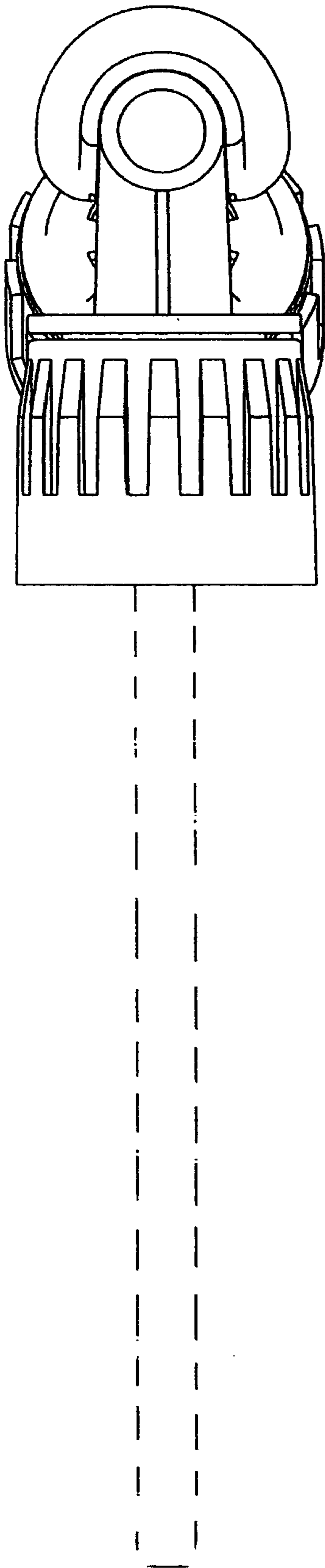


FIG. 2

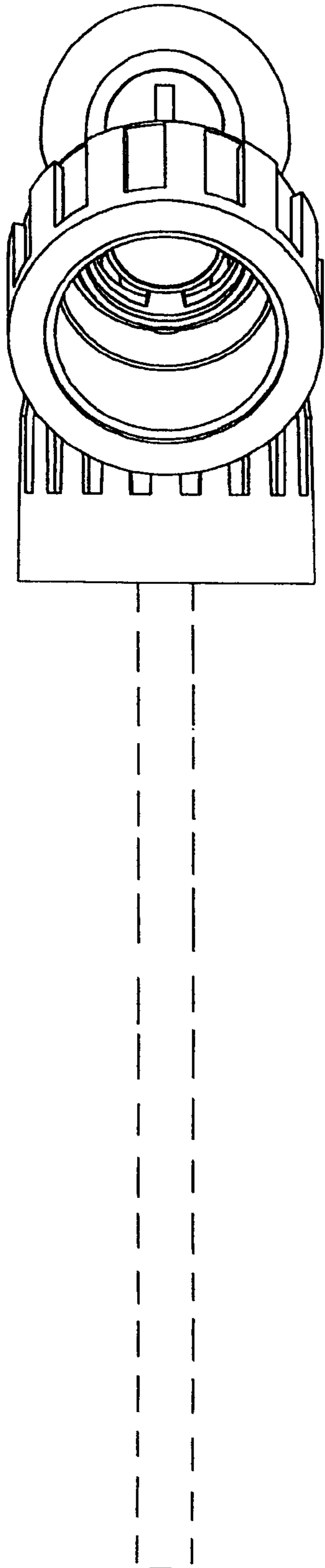


FIG. 3

FIG. 4

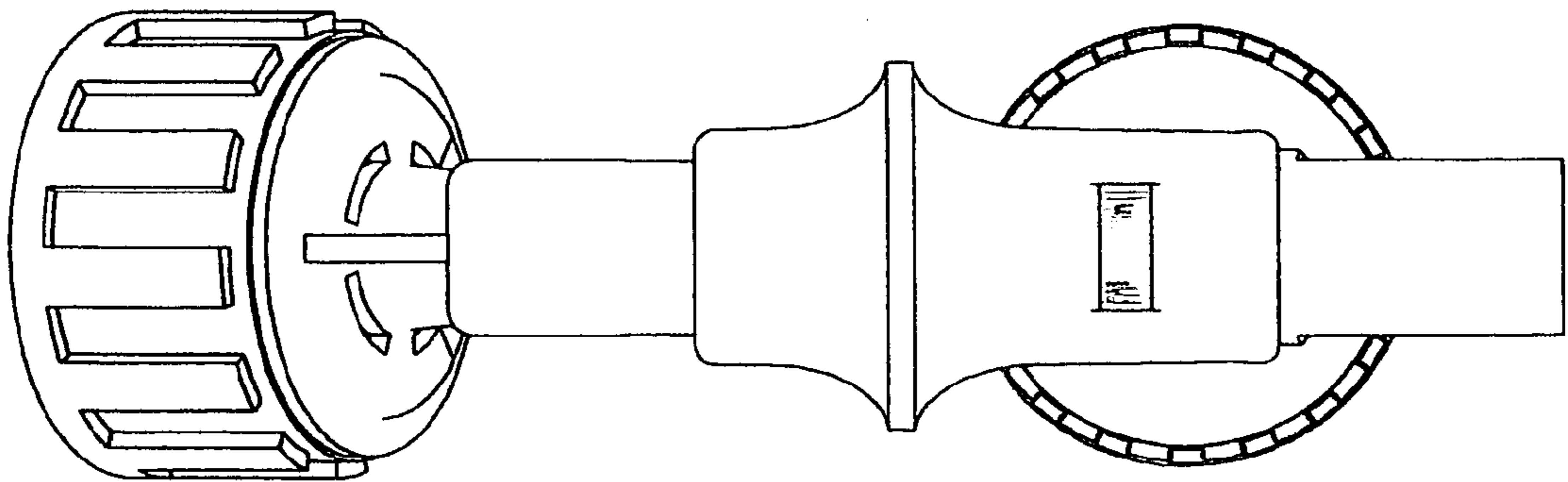
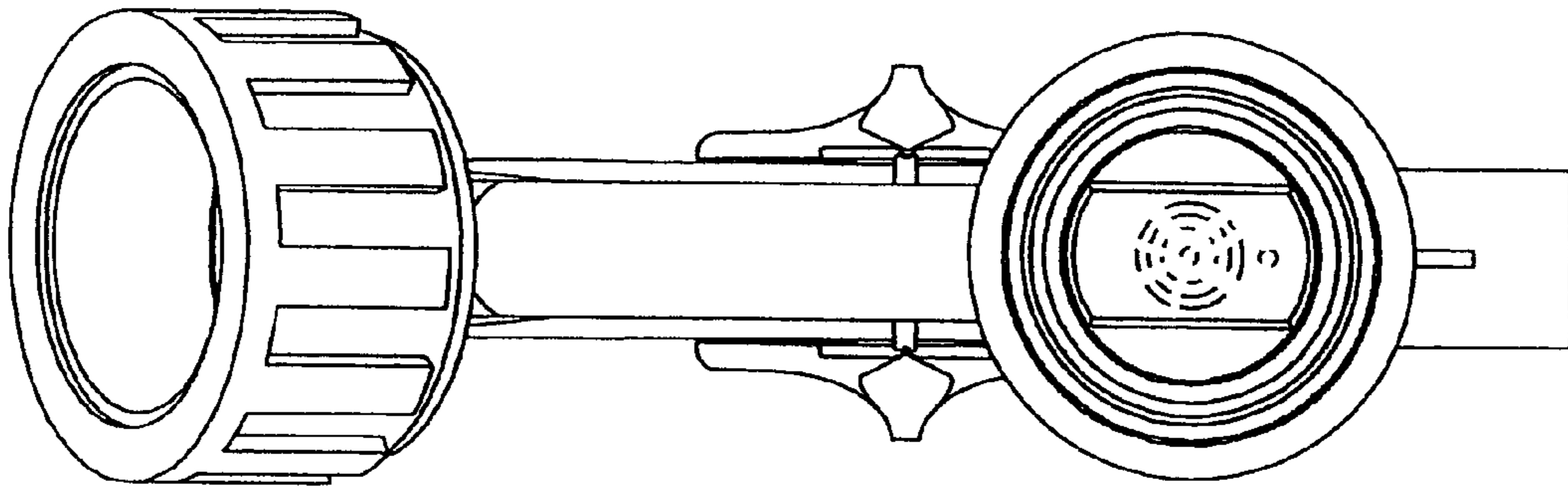


FIG. 5



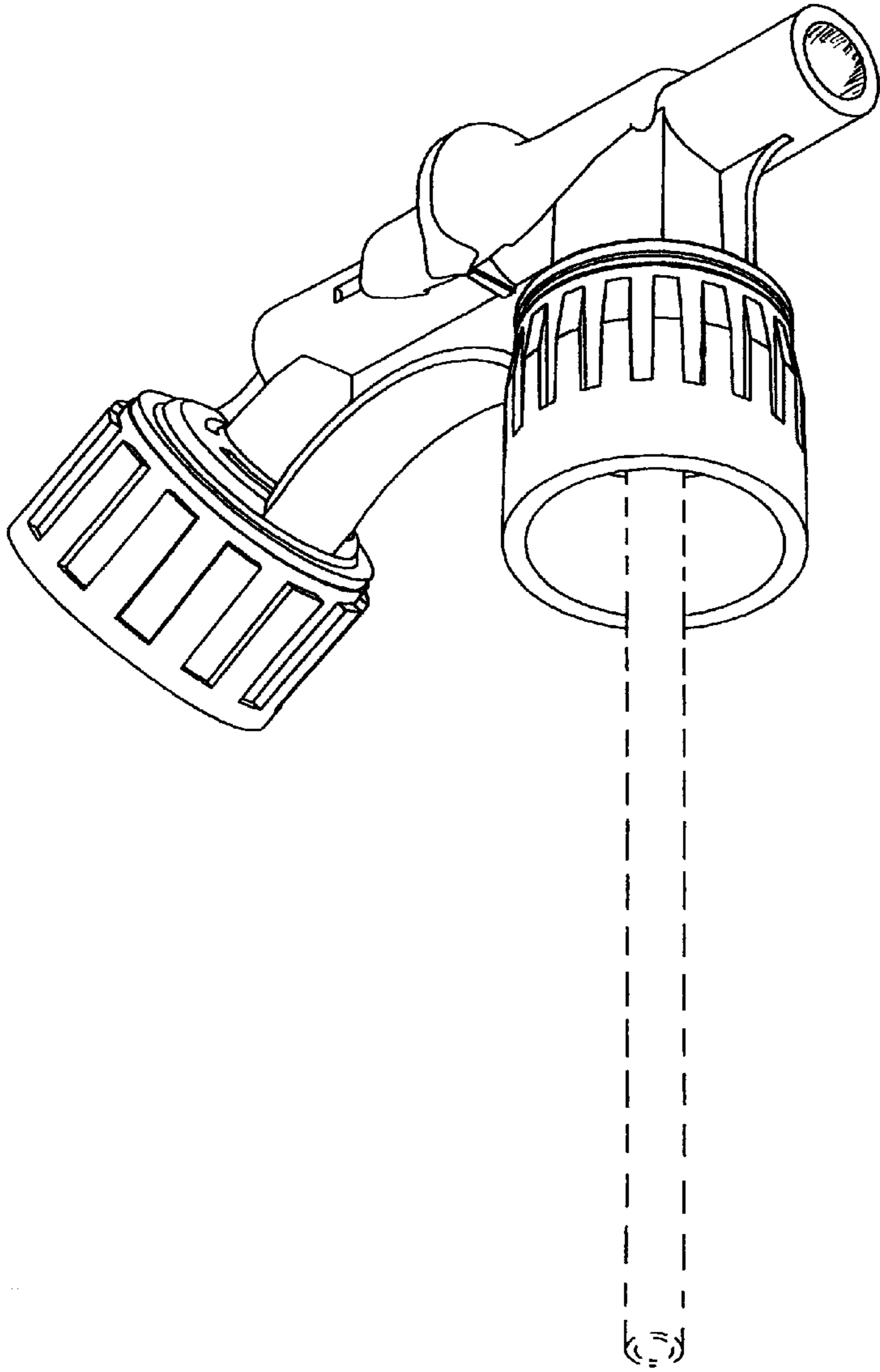


FIG. 6

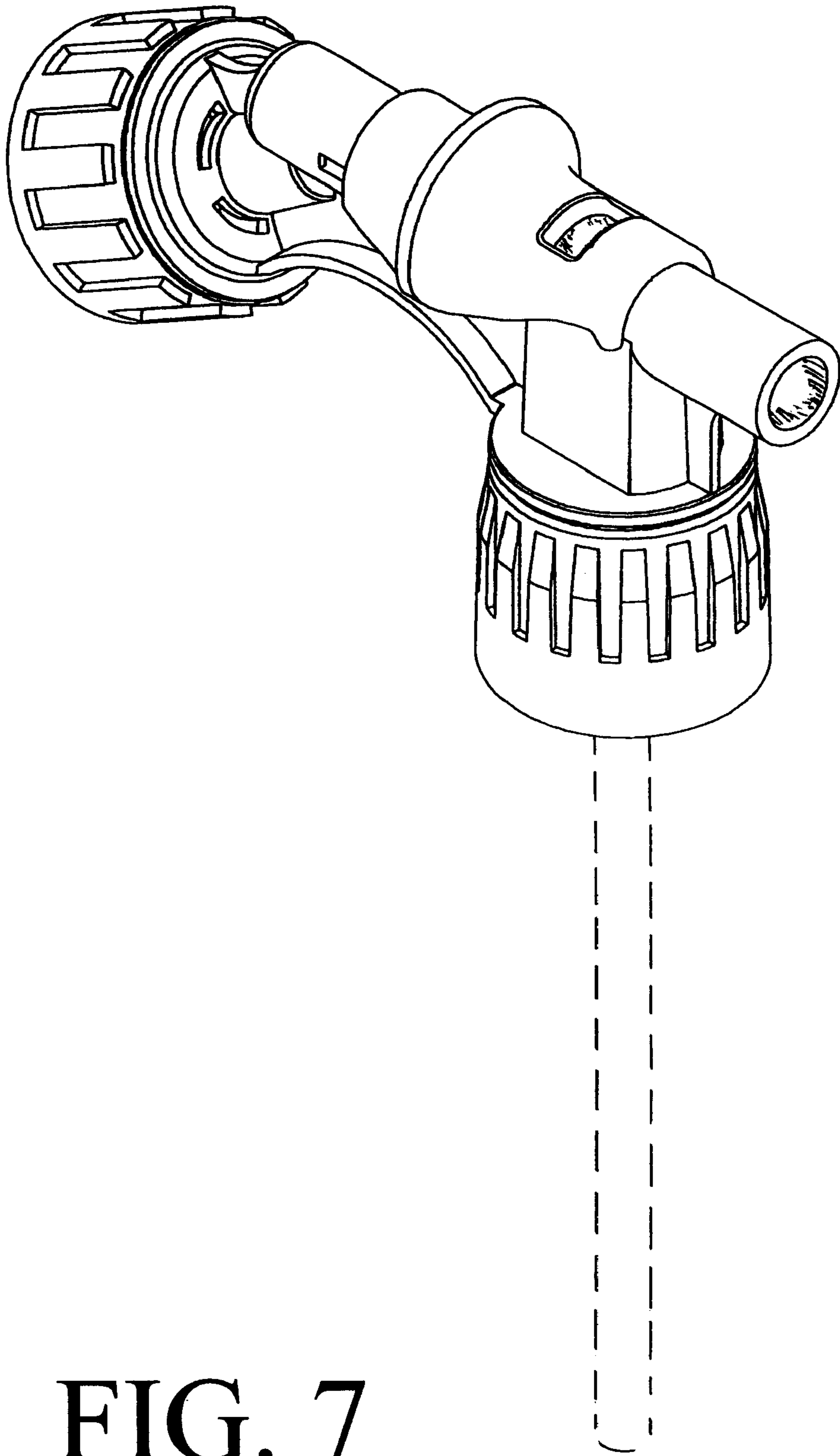


FIG. 7

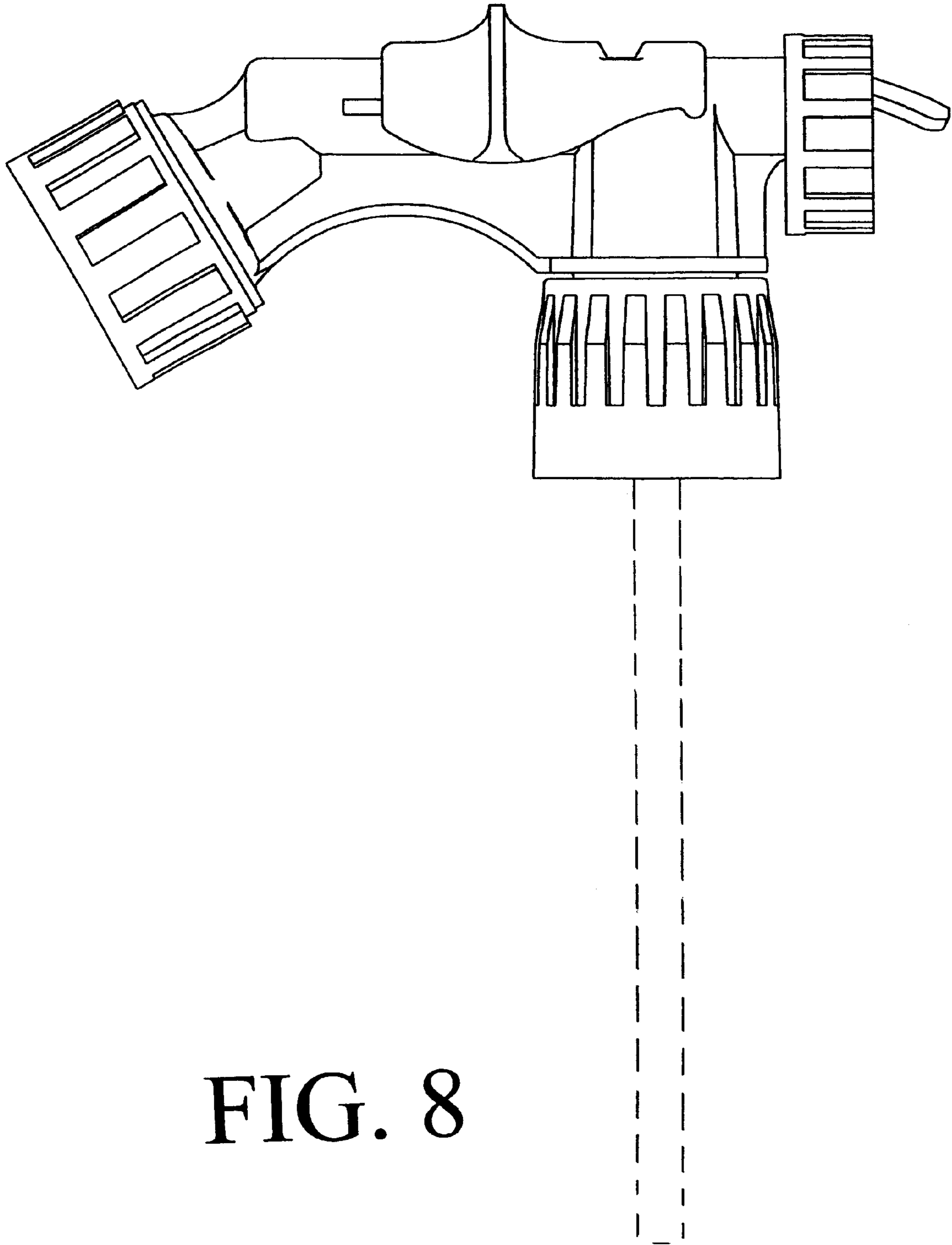


FIG. 8

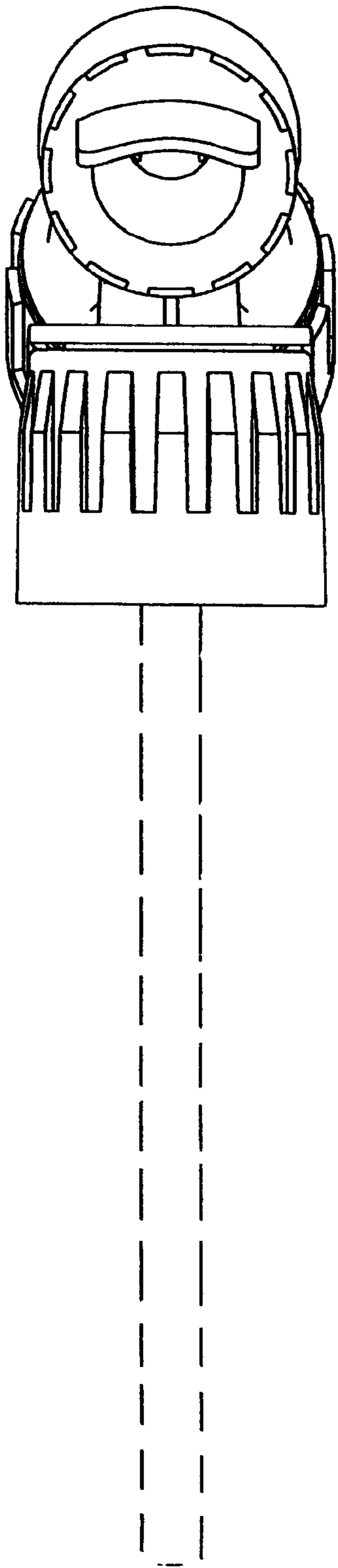


FIG. 9

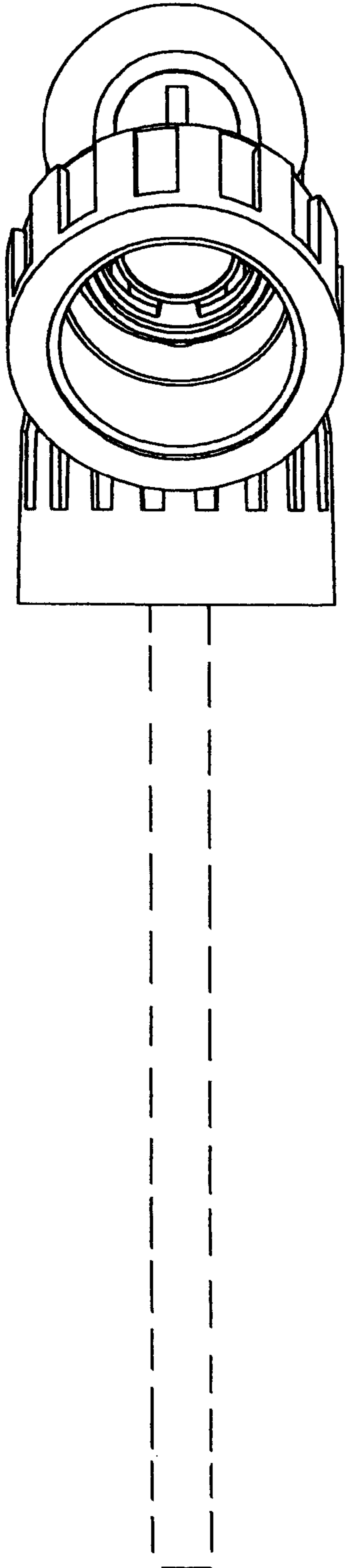


FIG. 10

FIG. 11

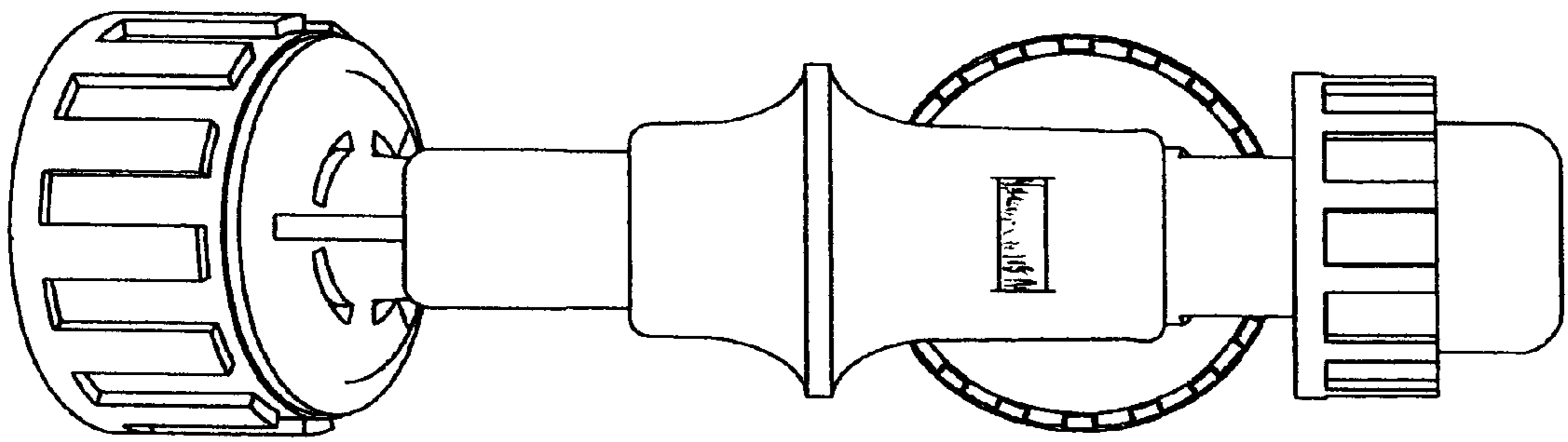
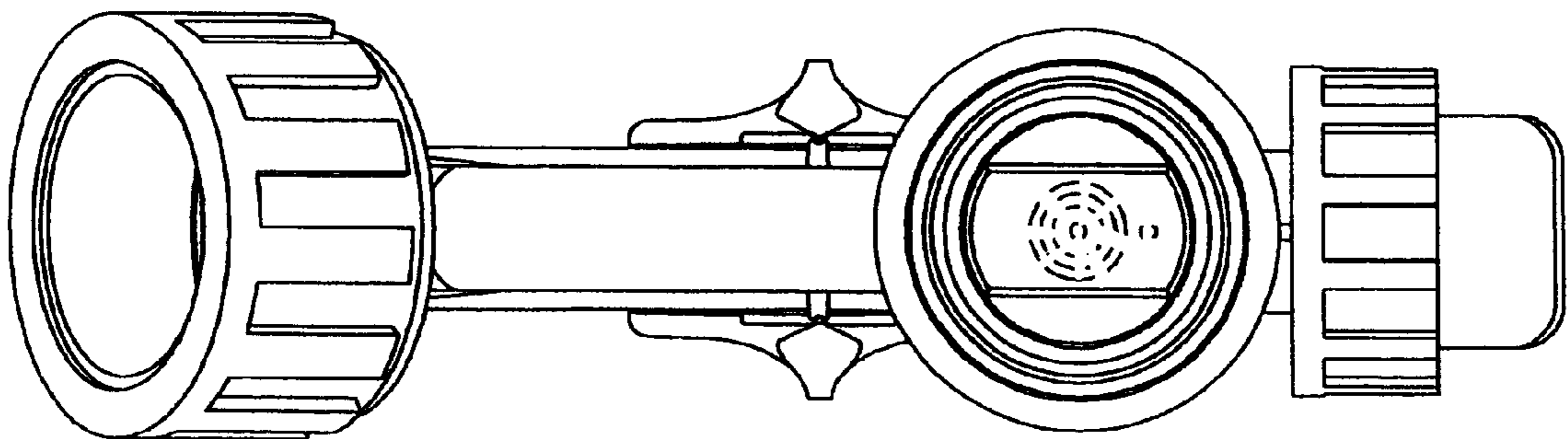


FIG. 12



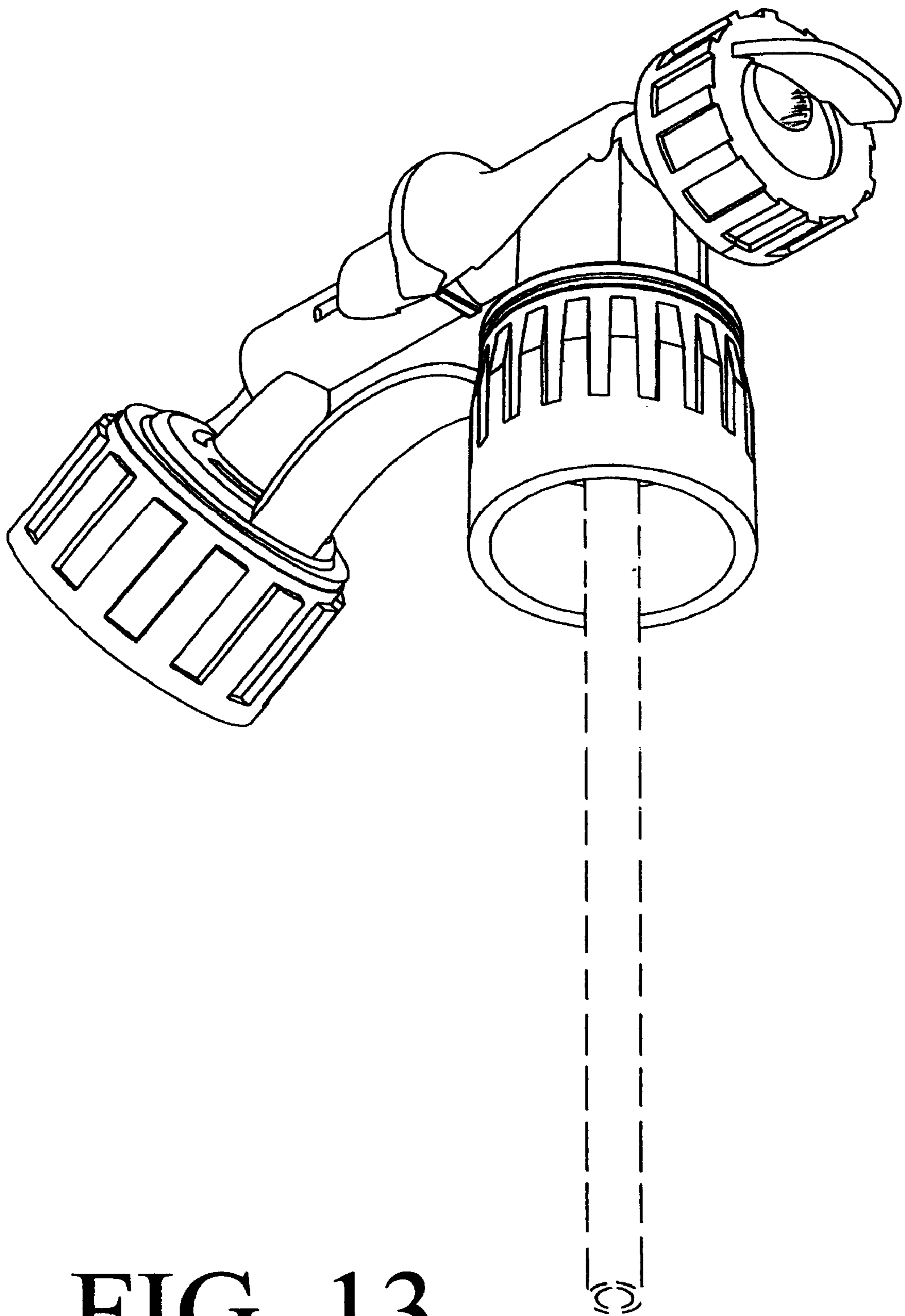


FIG. 13

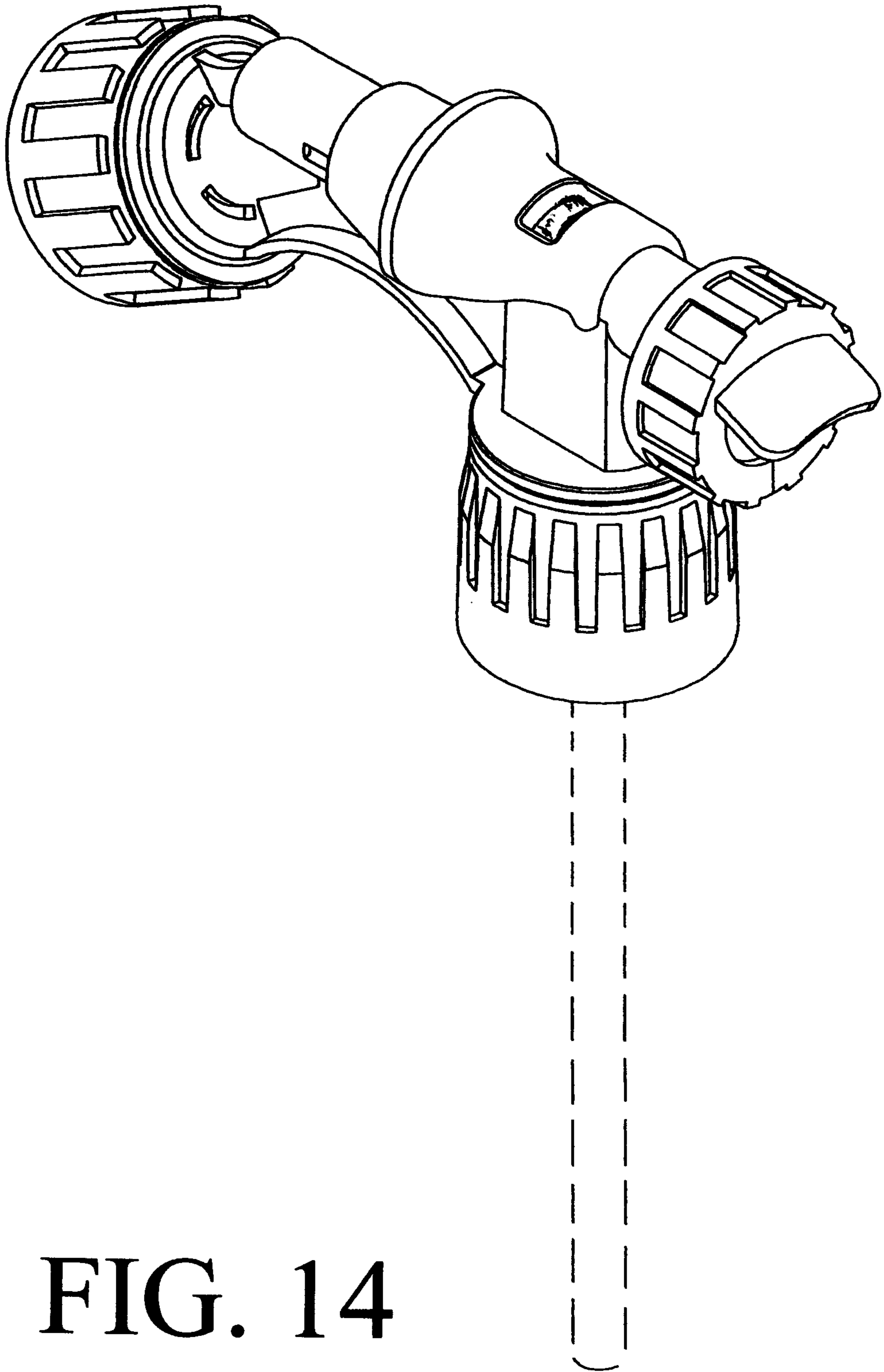


FIG. 14