



US00D445870S

(12) **United States Design Patent**  
**Palestrant**

(10) **Patent No.:** **US D445,870 S**

(45) **Date of Patent:** **\*\* Jul. 31, 2001**

(54) **NOZZLE CLUSTER MOUNT**

Spraying Systems Co. catalog; type 7N fogjet nozzle; p. 42, Dec. 1985.\*

(76) Inventor: **Nathan Palestrant**, 5120 N. 79th Pl., Scottsdale, AZ (US) 85250

\* cited by examiner

(\*\*) Term: **14 Years**

*Primary Examiner*—Robin V. Taylor  
(74) *Attorney, Agent, or Firm*—Jordan M. Meschkow, Esq.; Lowell W. Gresham, Esq.; Meschkow & Gresham, P.L.C.

(21) Appl. No.: **29/130,157**

(22) Filed: **Sep. 28, 2000**

(57) **CLAIM**

(51) **LOC (7) Cl.** ..... **23-01**

The ornamental design for a nozzle cluster mount, as shown and described.

(52) **U.S. Cl.** ..... **D23/213**

(58) **Field of Search** ..... D23/213, 214;  
239/556, 562, 548

**DESCRIPTION**

(56) **References Cited**

FIG. 1 is a front perspective view of a nozzle cluster mount, showing my new design therefor;

**U.S. PATENT DOCUMENTS**

FIG. 2 is a frontal view therefor, the rear view being identical thereto;

D. 294,964	*	3/1988	Mendenhall	.....	D23/214
3,266,737	*	8/1966	Nees	.....	239/548
3,301,490	*	1/1967	Hruby	.....	239/548
3,559,974	*	2/1971	Berry	.....	239/548

FIG. 3 is a left side view thereof, the right side being identical;

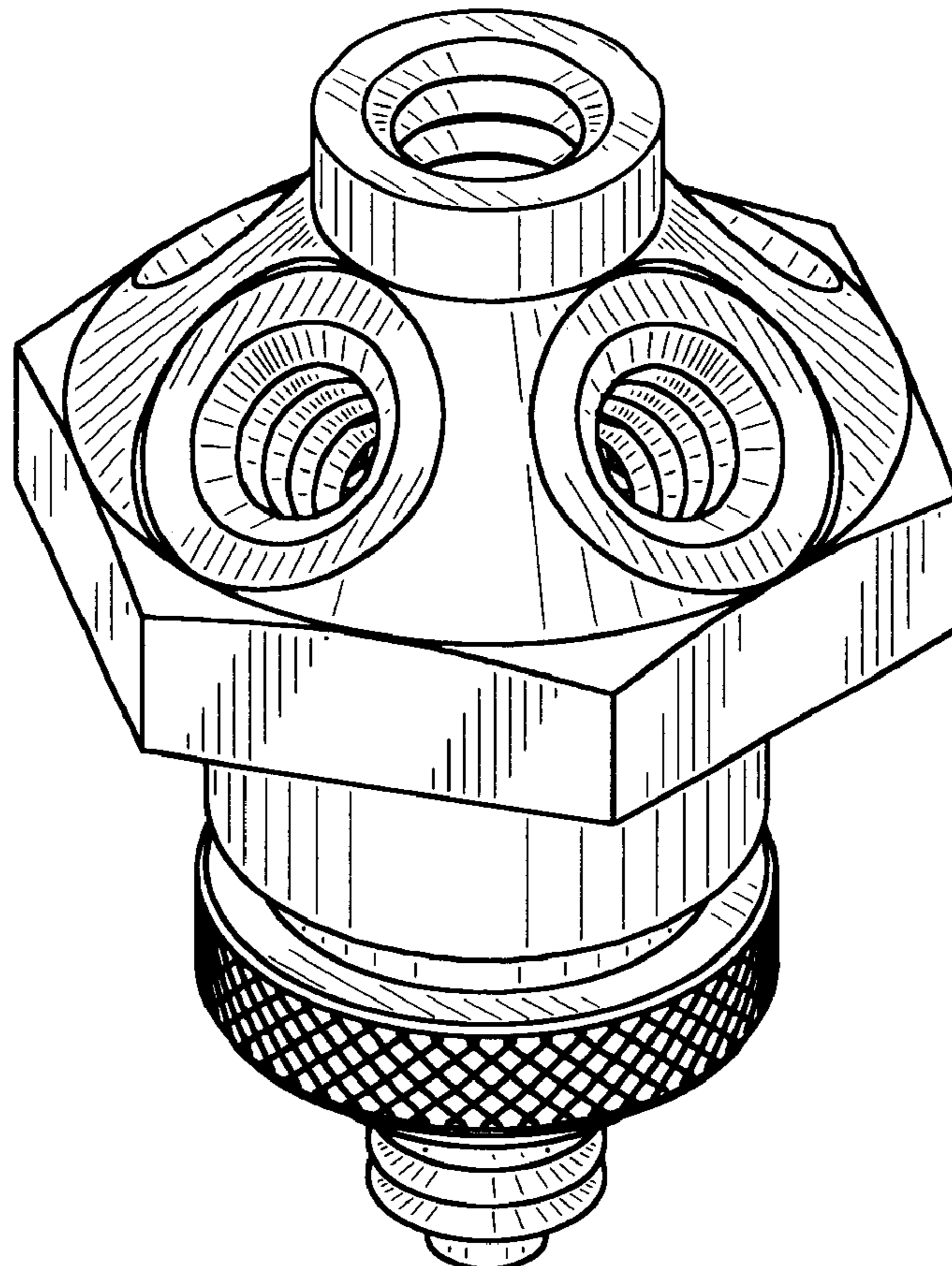
**OTHER PUBLICATIONS**

FIG. 4 is a top view thereof; and,

FIG. 5 is a bottom view thereof.

Spraying Systems Co. catalog; type 7G fogjet nozzle; p. 43, Dec. 1985.\*

**1 Claim, 3 Drawing Sheets**



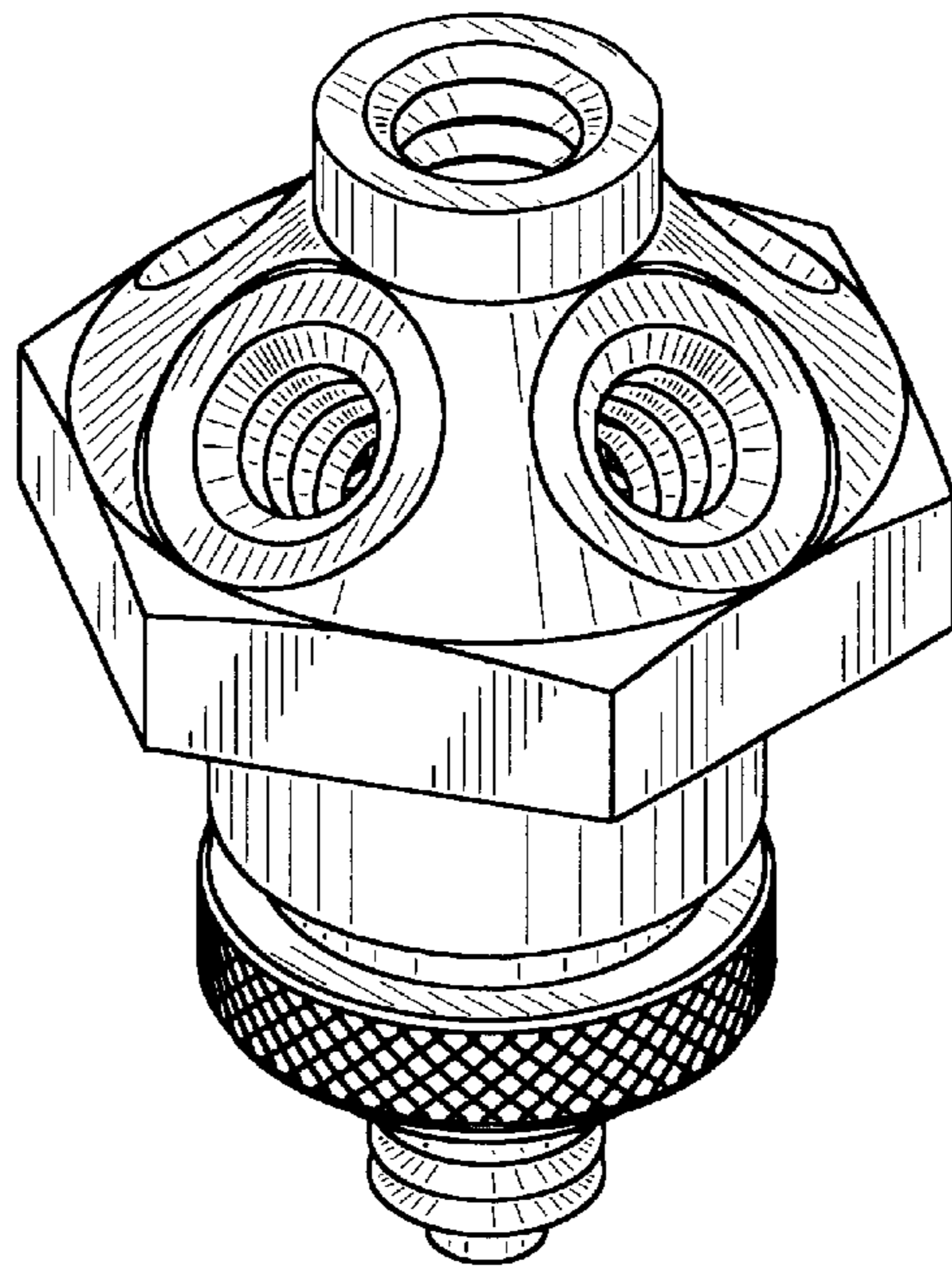


FIG. 1

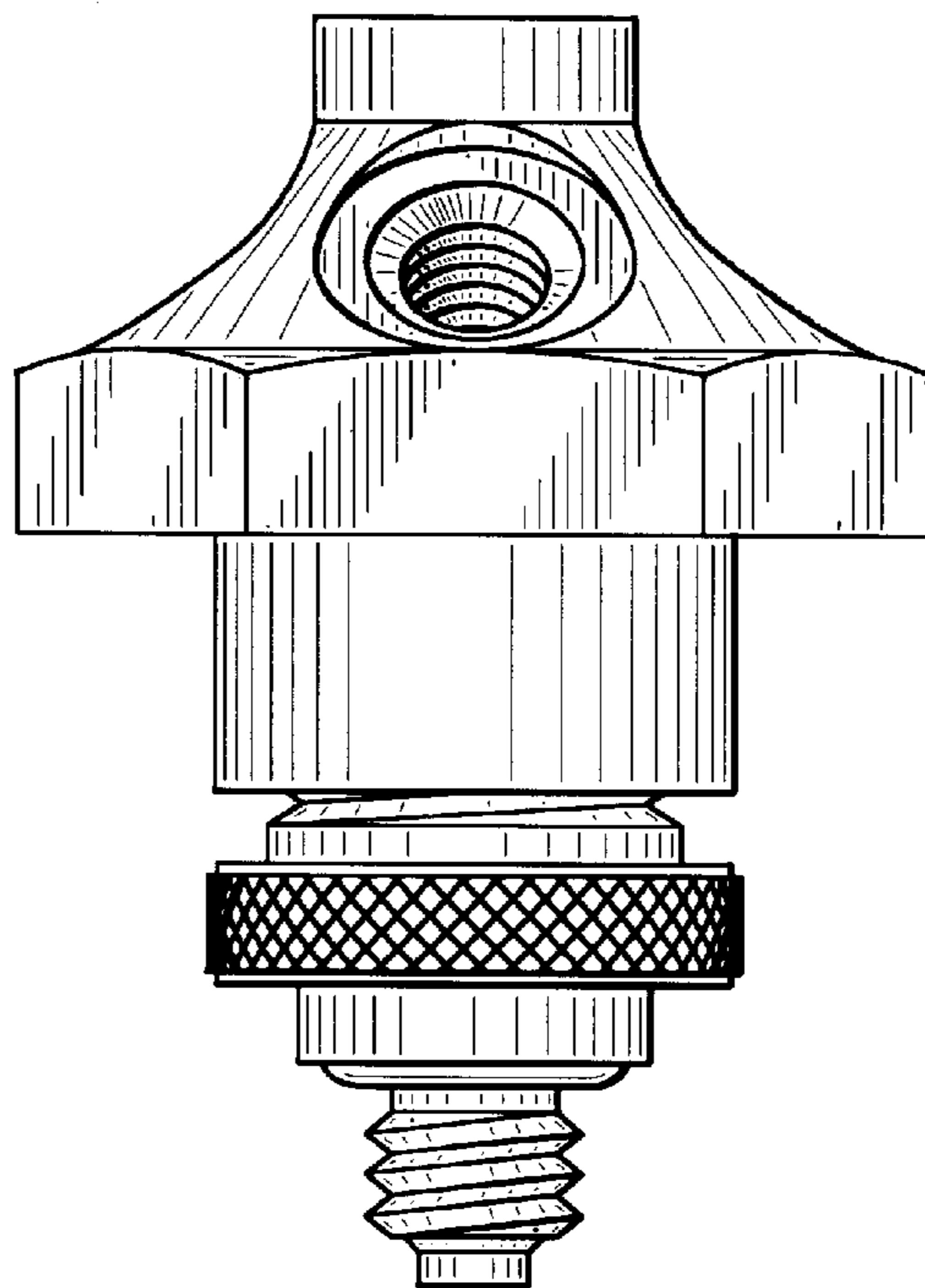


FIG. 2

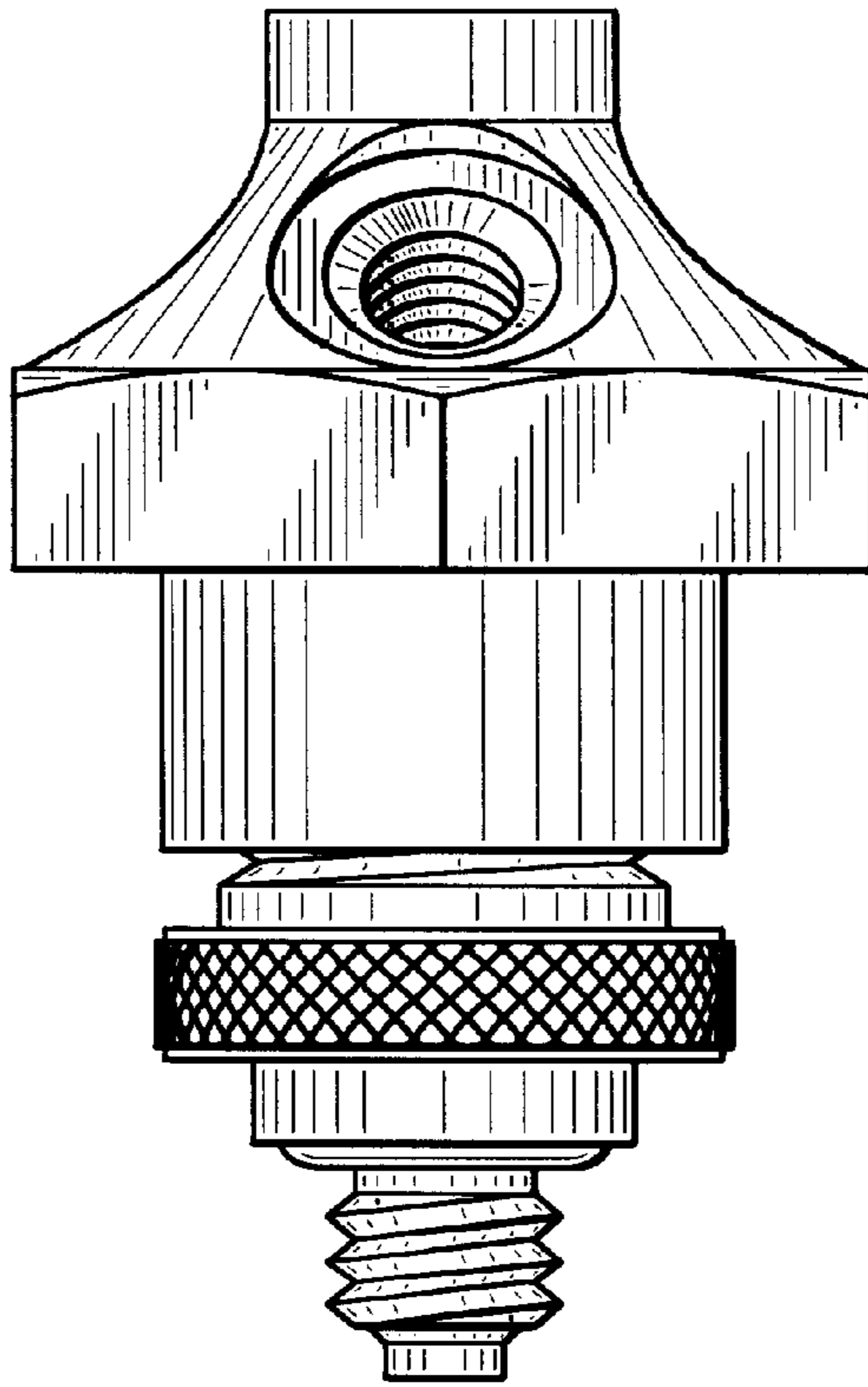


FIG. 3

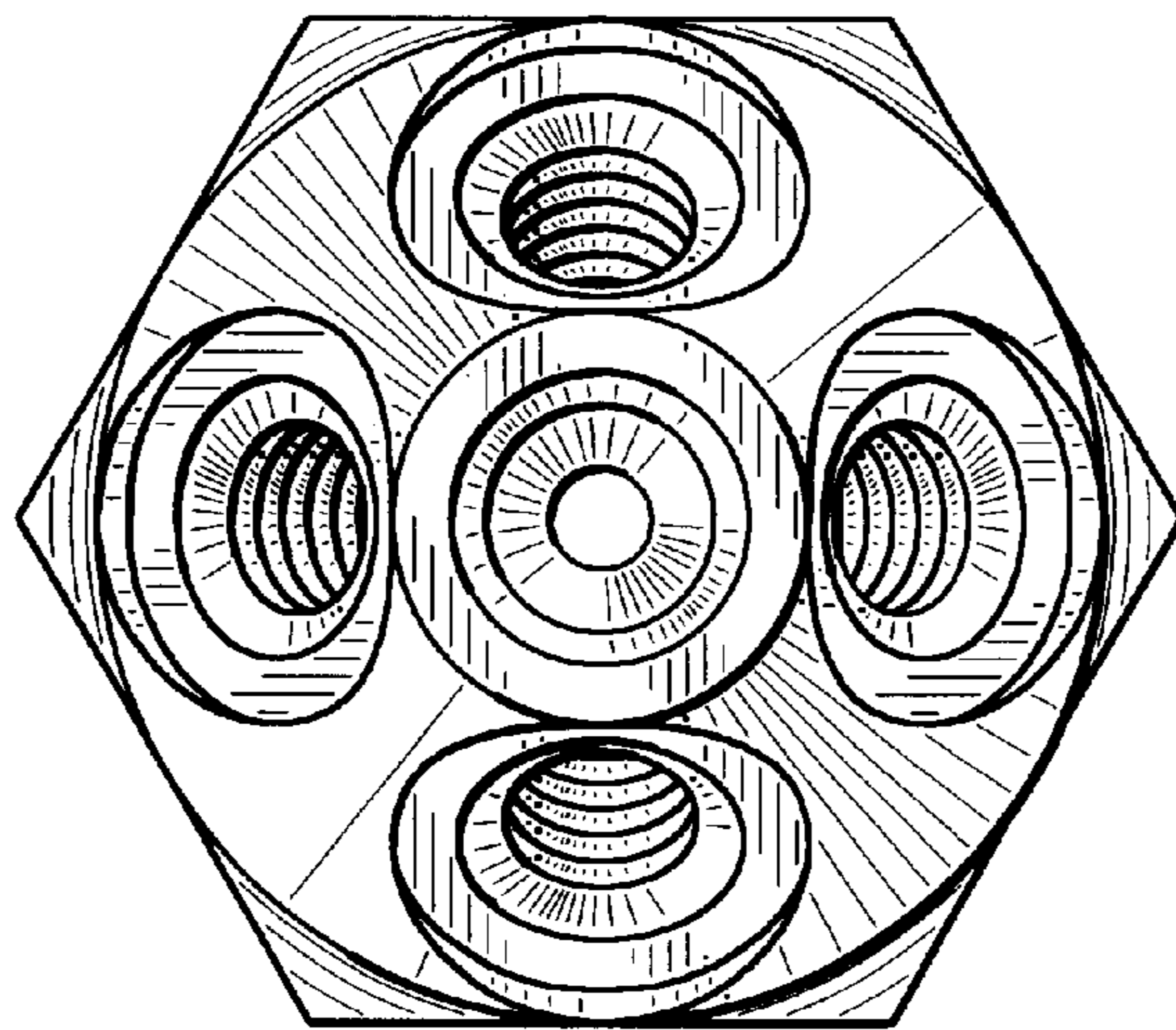


FIG. 4

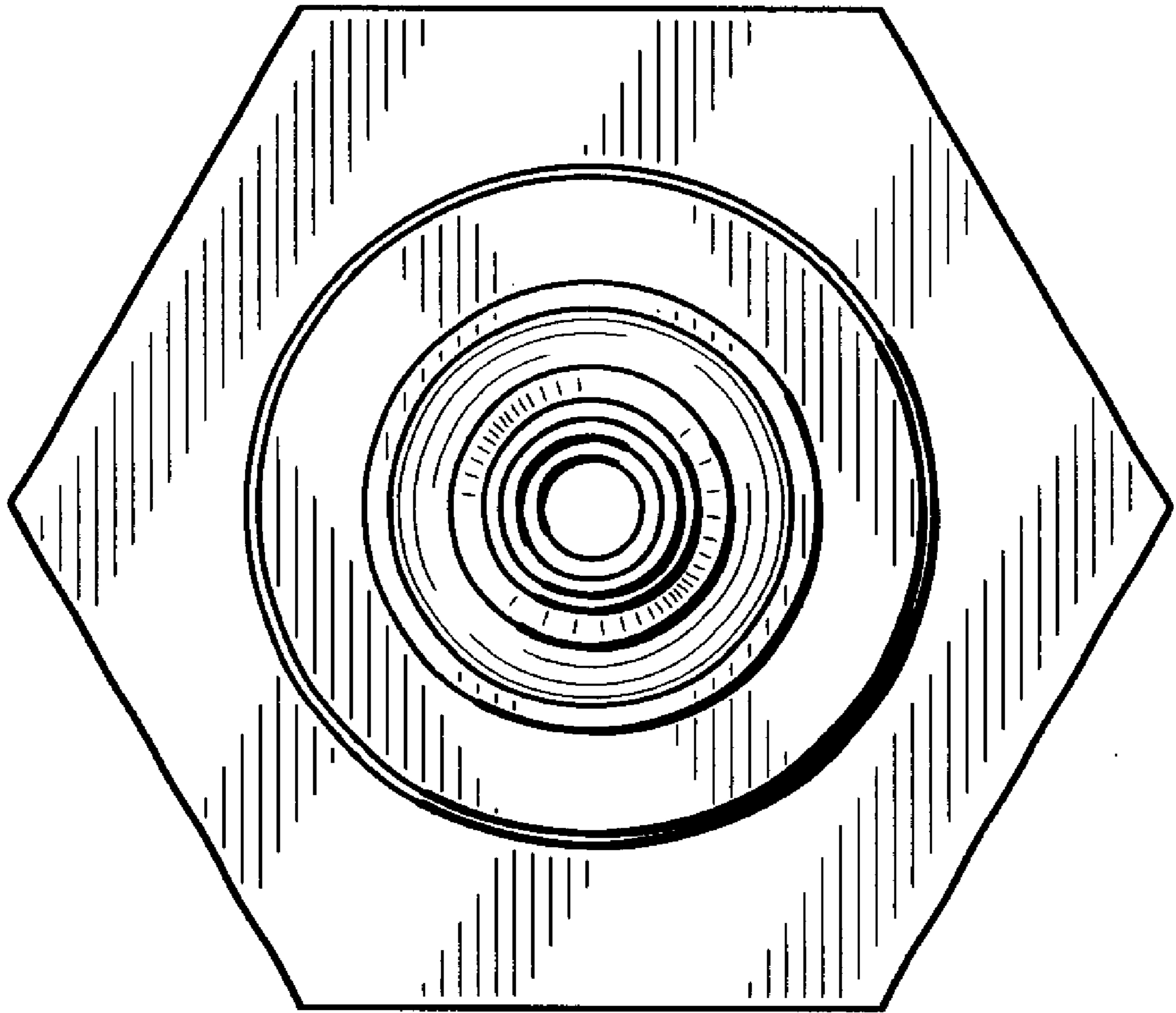


FIG. 5