



US00D445865S

(12) **United States Design Patent**
Mills

(10) **Patent No.:** **US D445,865 S**

(45) **Date of Patent:** **** Jul. 31, 2001**

(54) **RECESSED BACK PORTION OF A GOLF PUTTER HEAD**

D. 404,451 * 1/1999 Sheets D21/746

* cited by examiner

(76) **Inventor:** **David Foster Mills**, 1310 Forest Oaks
La., Tuscaloosa, AL (US) 35406

Primary Examiner—Mitchell Siegel

(74) *Attorney, Agent, or Firm*—Troutman Sanders LLP;
Gerald R. Boss

(**) **Term:** **14 Years**

(57) **CLAIM**

(21) **Appl. No.:** **29/133,287**

The ornamental design for a recessed back portion of a golf putter head, as shown and described.

(22) **Filed:** **Nov. 27, 2000**

DESCRIPTION

(51) **LOC (7) Cl.** **21-02**

(52) **U.S. Cl.** **D21/759**

(58) **Field of Search** D21/736-746,
D21/759; 473/324, 327, 328, 340, 341,
251-256

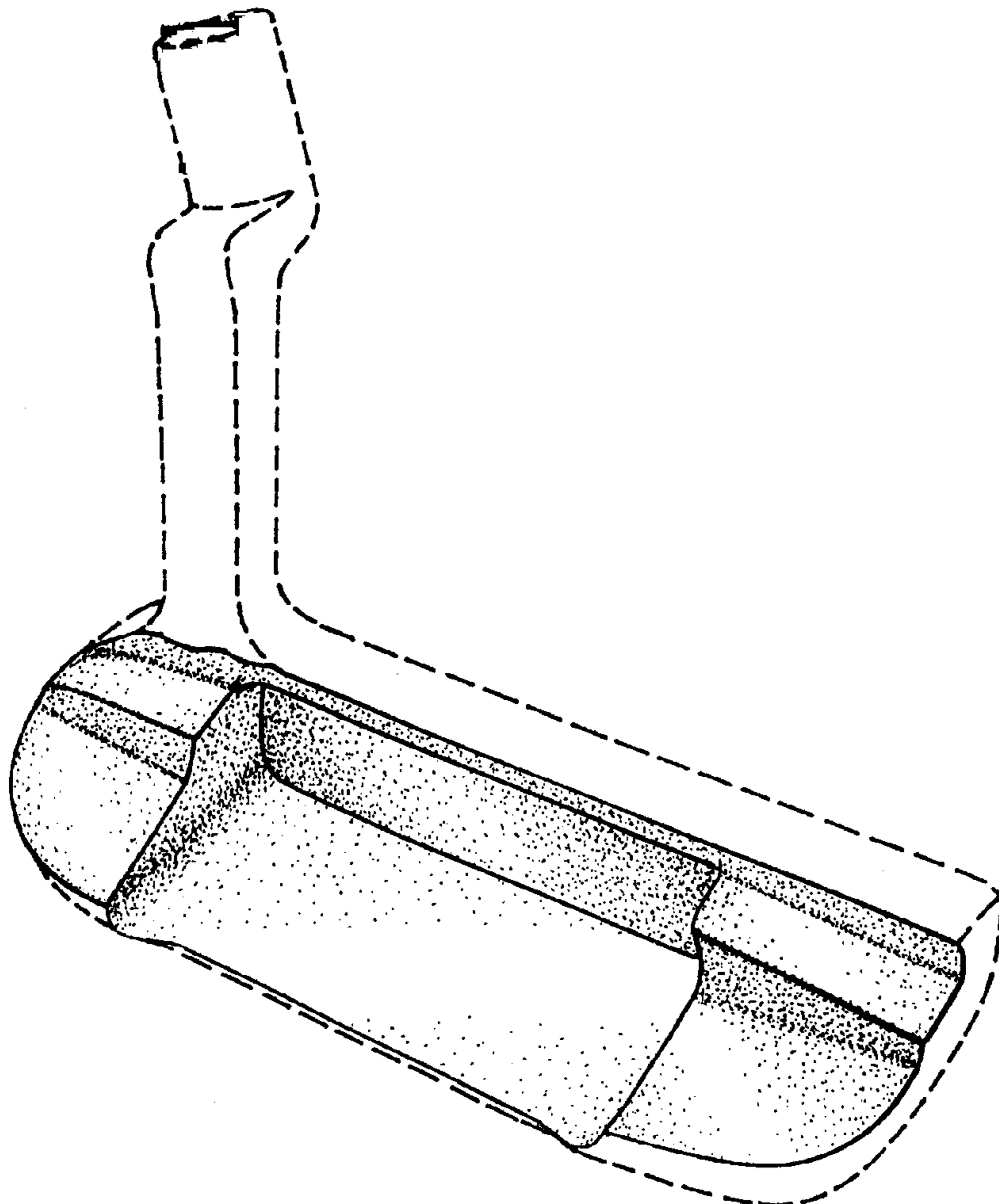
FIG. 1 is a perspective view of a recessed back portion of a golf putter head showing my new design;
FIG. 2 is a heel side elevational view thereof;
FIG. 3 is a top plan view thereof;
FIG. 4 is a toe side elevational view thereof;
FIG. 5 is a rear elevational view; and,
FIG. 6 is a sectional view taken along lines 6-6 of FIG. 5.
The broken line showing of a golf club hosel and golf club head is for illustrative purposes only and forms no part of the claimed design.

(56) **References Cited**

U.S. PATENT DOCUMENTS

- D. 212,890 * 12/1968 Rose D21/739
- D. 303,276 * 9/1989 Oakleaf D21/739
- D. 326,303 * 5/1992 Cameron D21/743
- D. 380,245 * 6/1997 Meyer D21/743
- D. 396,258 * 7/1998 Sheets D21/742

1 Claim, 1 Drawing Sheet



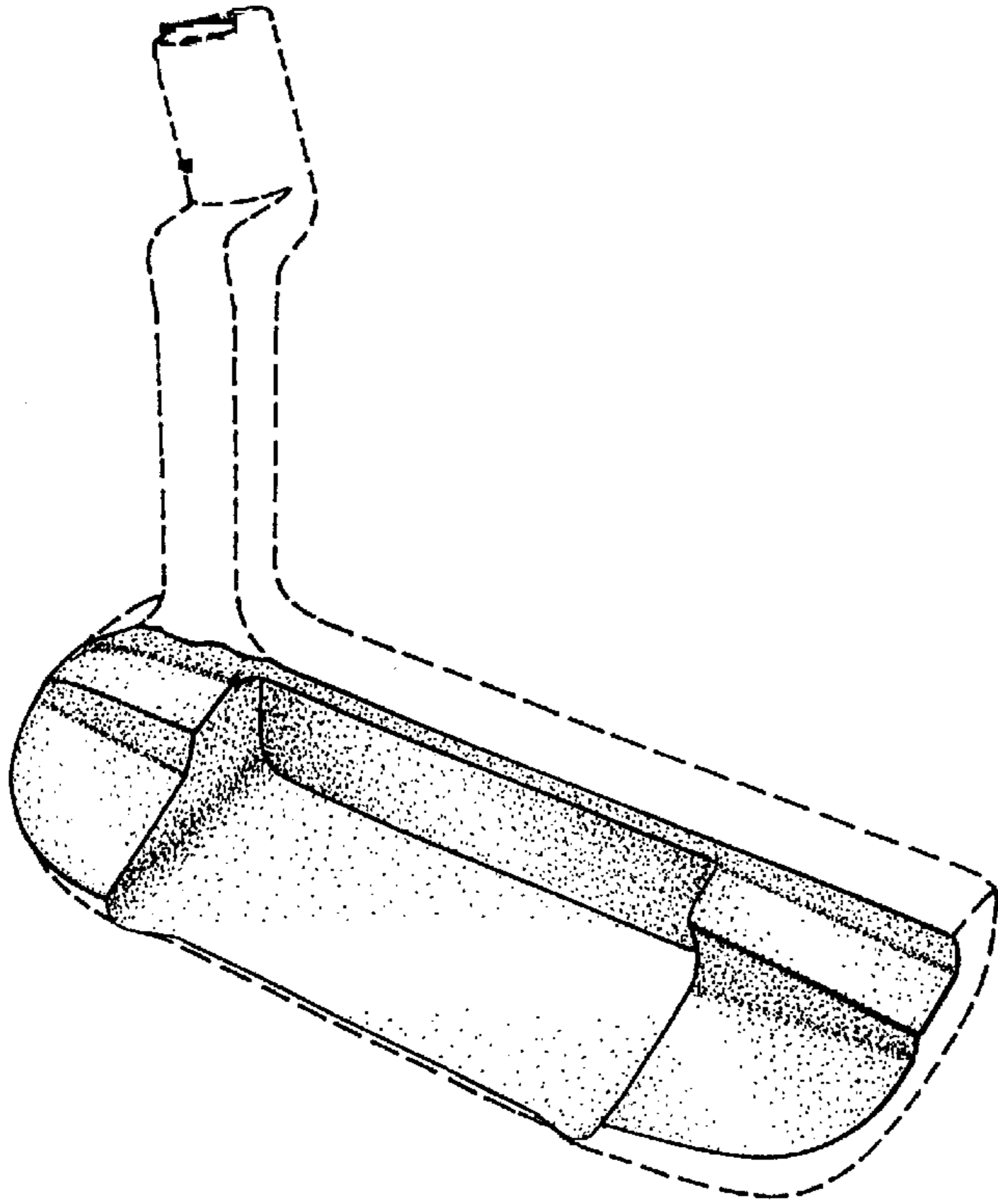


FIG 1

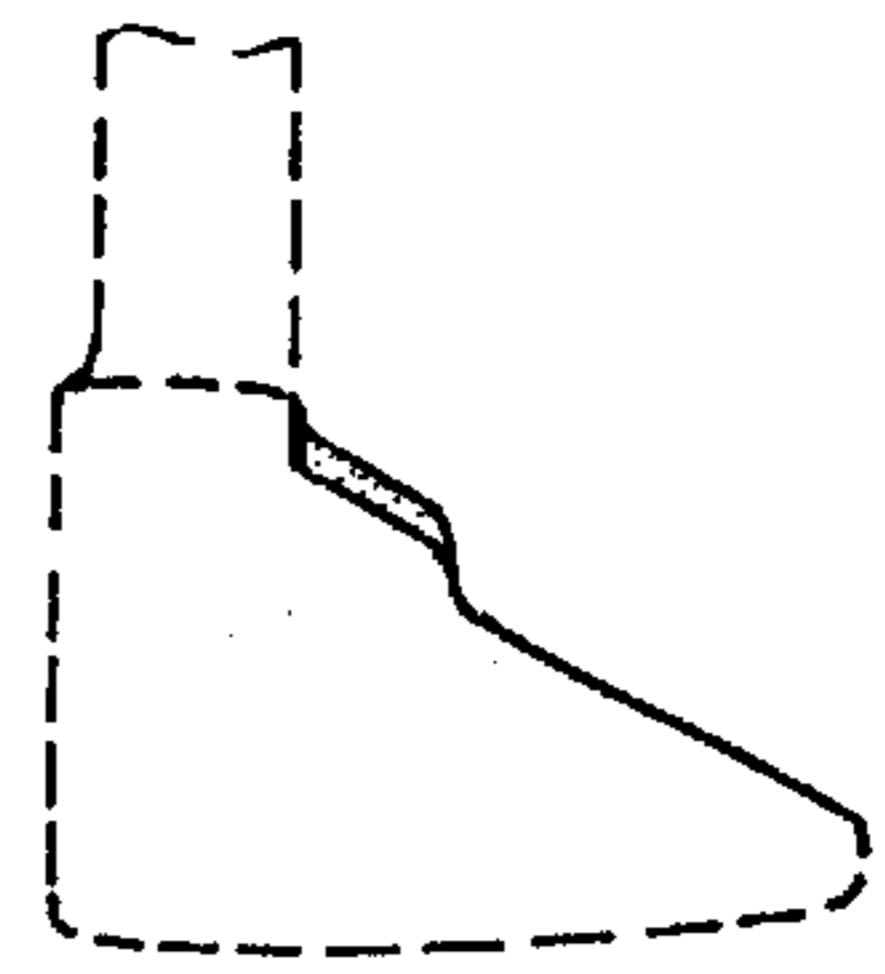


FIG 2

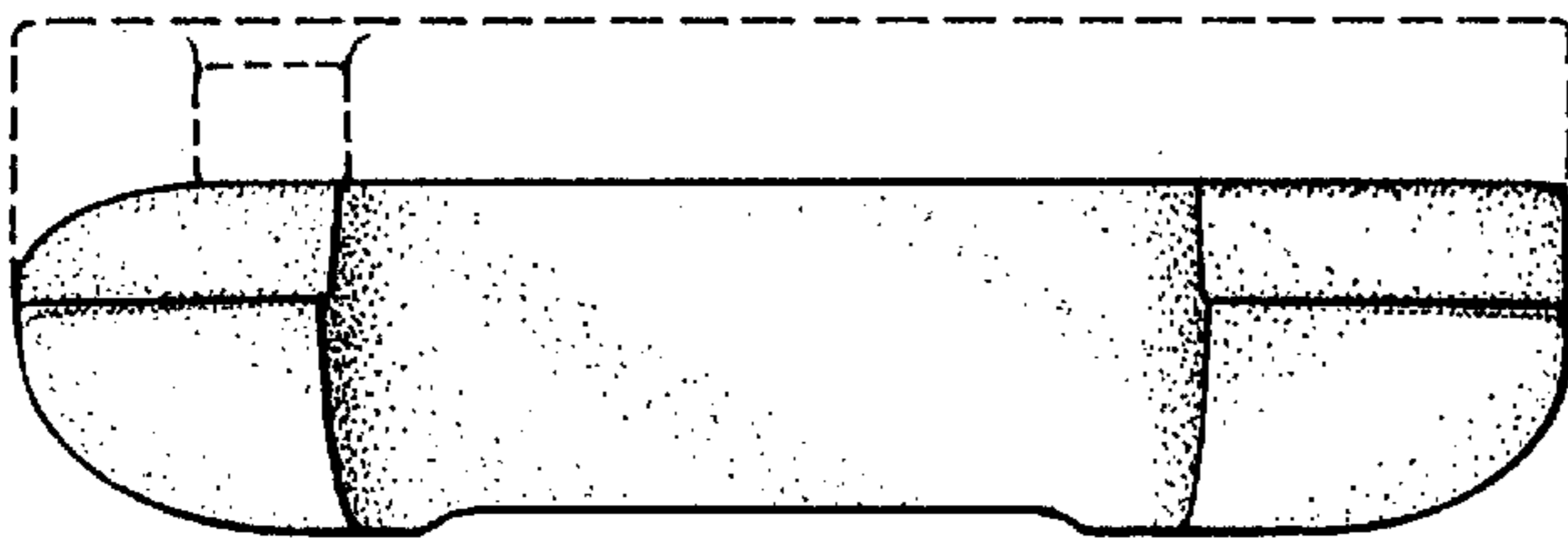


FIG 3

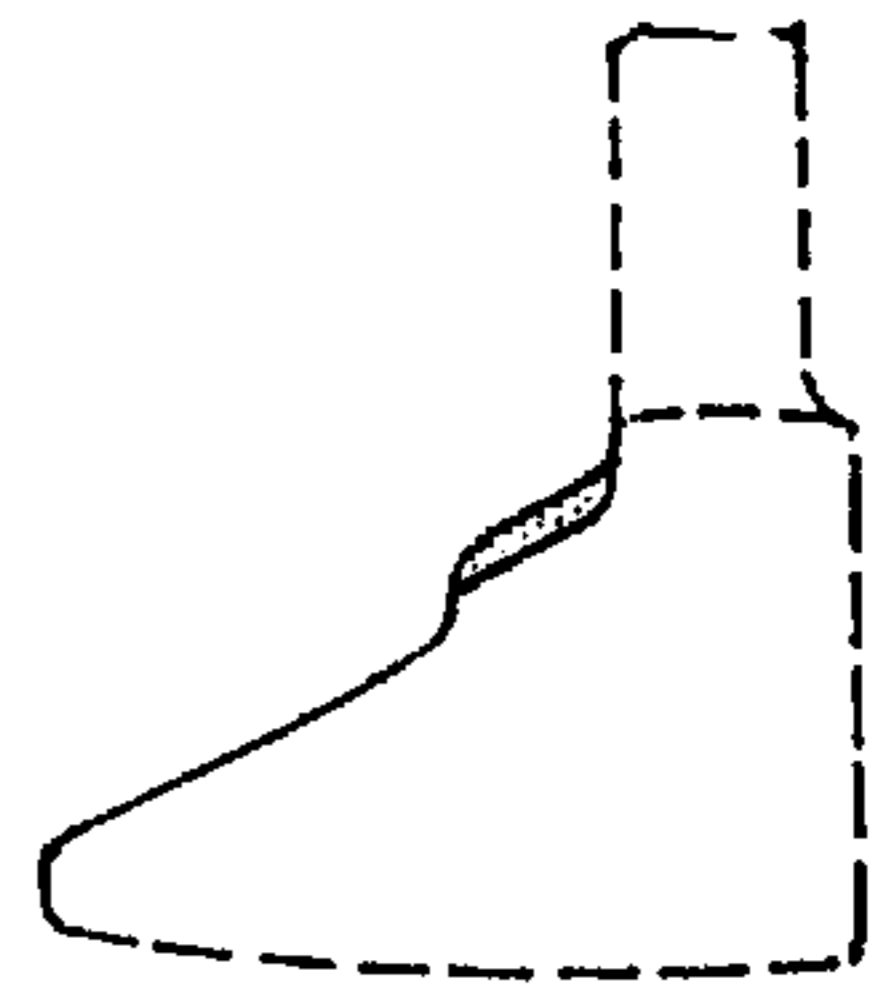


FIG 4

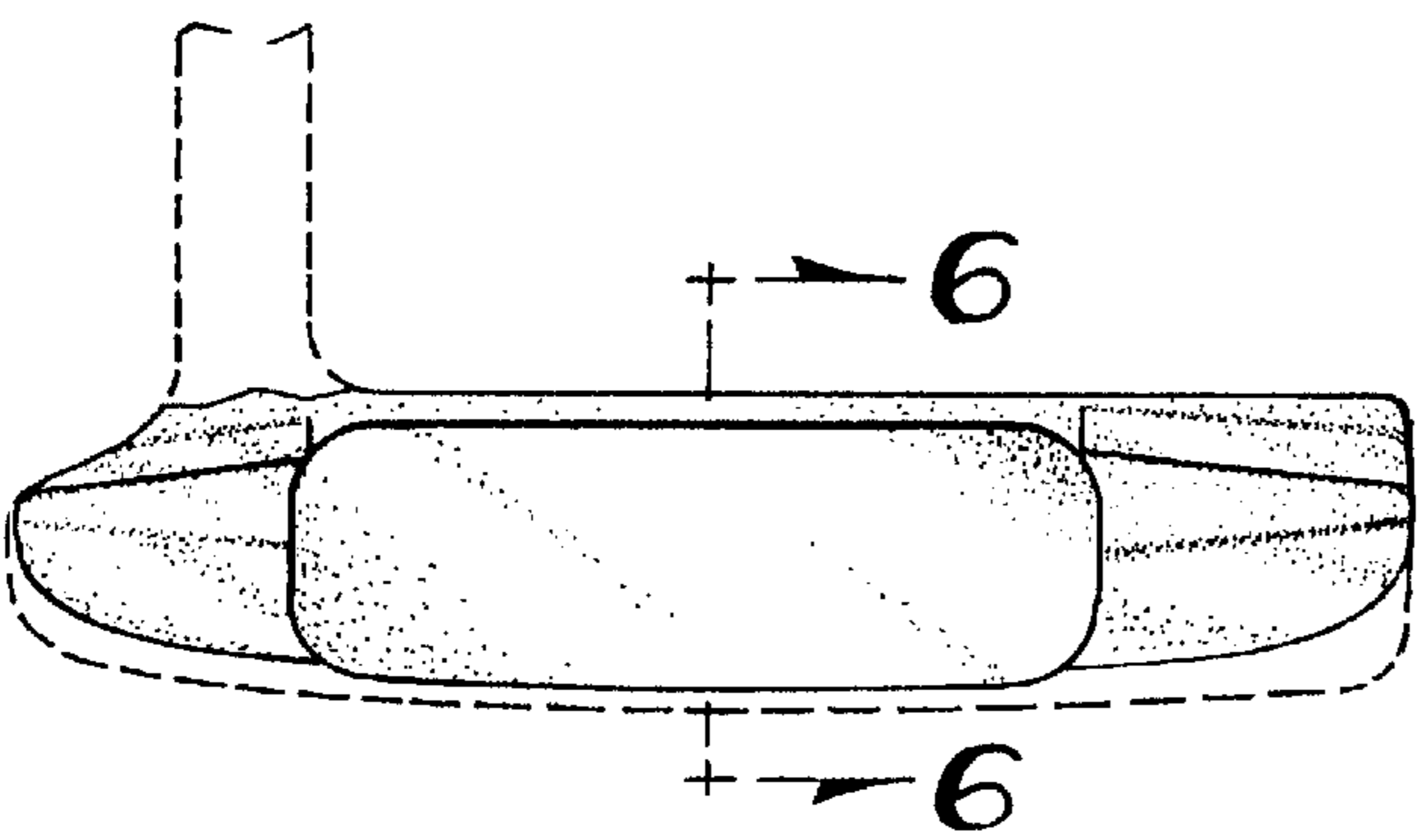


FIG 5

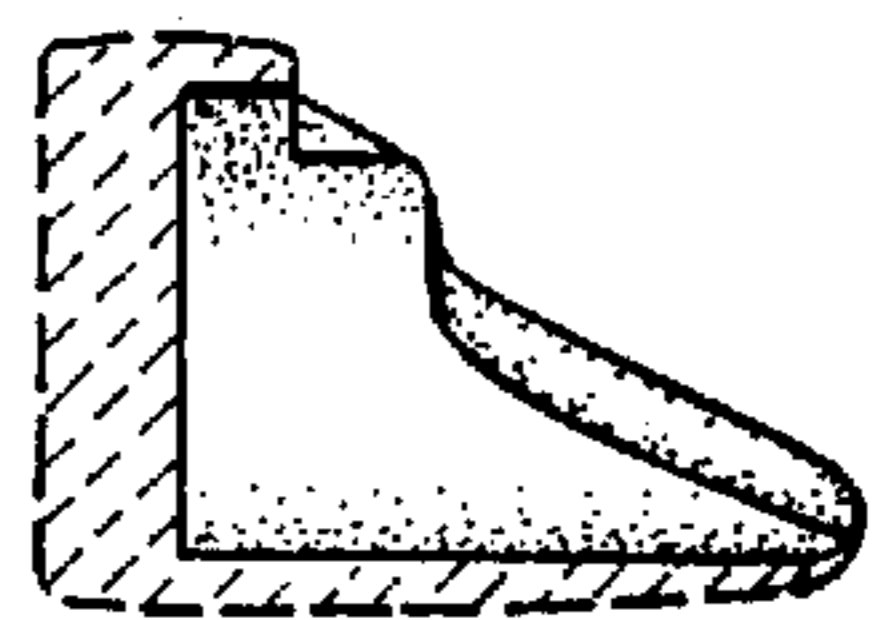


FIG 6